



US00D949077S

(12) **United States Design Patent**  
**Koo et al.**

(10) **Patent No.:** **US D949,077 S**

(45) **Date of Patent:** **\*\* Apr. 19, 2022**

- (54) **FRONT GRILLE GARNISH FOR AUTOMOBILE**
- (71) Applicant: **HONDA MOTOR CO., LTD.**, Tokyo (JP)
- (72) Inventors: **Jaryong Koo**, Torrance, CA (US);  
**Norihito Ohnuma**, Torrance, CA (US)
- (73) Assignee: **HONDA MOTOR CO., LTD.**, Tokyo (JP)
- (\*\*) Term: **15 Years**
- (21) Appl. No.: **29/744,448**
- (22) Filed: **Jul. 29, 2020**
- (51) **LOC (13) Cl.** ..... **12-16**
- (52) **U.S. Cl.**  
USPC ..... **D12/190**
- (58) **Field of Classification Search**  
USPC ..... D12/163, 164, 165, 166, 167, 168, 169,  
D12/170, 171, 172, 173, 181  
CPC ..... B62D 37/02; B62D 35/00; B62D 35/007;  
B62D 25/084  
See application file for complete search history.

(56) **References Cited**

**U.S. PATENT DOCUMENTS**

D671,047 S	*	11/2012	Davidson	.....	D12/169
D802,496 S	*	11/2017	Mainville	.....	D12/169
D818,403 S	*	5/2018	Cummins	.....	D12/169
D821,937 S	*	7/2018	Cummins	.....	D12/169
D821,941 S	*	7/2018	Mack	.....	D12/169
D826,803 S	*	8/2018	Smith	.....	D12/169

D862,337 S	*	10/2019	Pinazzo	.....	D12/196
D877,009 S	*	3/2020	Luke	.....	D12/169
D878,253 S	*	3/2020	Woodhouse	.....	D12/163
D889,327 S	*	7/2020	Lu	.....	D12/169
D919,505 S	*	5/2021	Schmeckpeper	.....	D12/169
D923,524 S	*	6/2021	Piaskowski	.....	D12/163
D924,111 S	*	7/2021	Piaskowski	.....	D12/181
D924,743 S	*	7/2021	Kumar	.....	D12/169
D924,747 S	*	7/2021	Hunwick	.....	D12/169
D924,748 S	*	7/2021	Ponomarenko	.....	D12/169

\* cited by examiner

*Primary Examiner* — Susan E Krakower

*Assistant Examiner* — Jerry Shiuan-Hua Hsu

(74) *Attorney, Agent, or Firm* — WHDA, LLP

(57) **CLAIM**

The ornamental design for a front grille garnish for automobile, as shown and described.

**DESCRIPTION**

FIG. 1 is a perspective view of a front grille garnish for automobile, showing our new design;  
 FIG. 2 is a front elevational view thereof;  
 FIG. 3 is a rear elevational view thereof;  
 FIG. 4 is a left side elevational view thereof;  
 FIG. 5 is a right side elevational view thereof;  
 FIG. 6 is a top plan view thereof; and,  
 FIG. 7 is a bottom plan view thereof.  
 The broken lines and lightened elements within, illustrate portions of the front grille garnish for automobile that form no part of the claimed design.

**1 Claim, 7 Drawing Sheets**

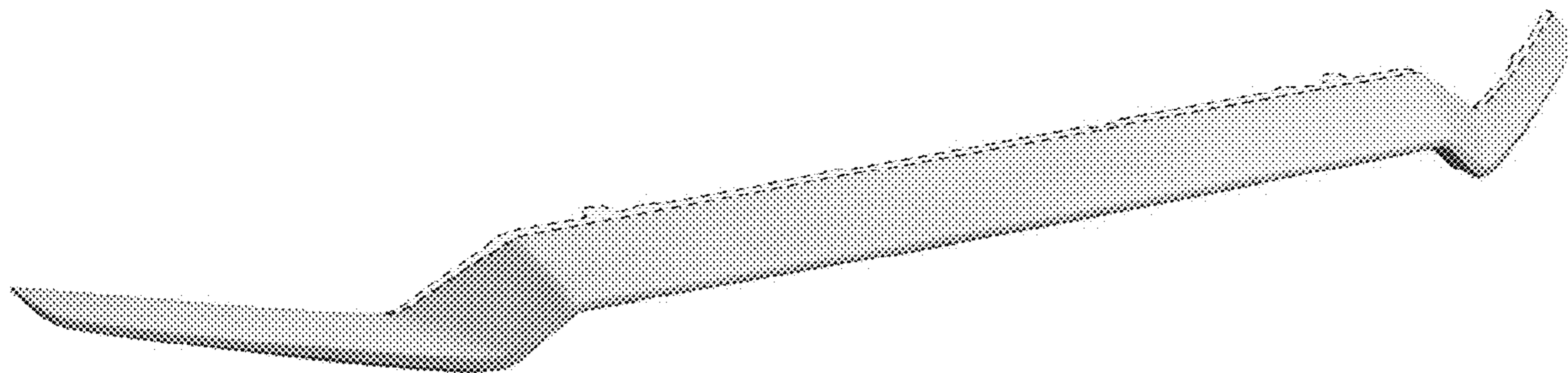


FIG. 1

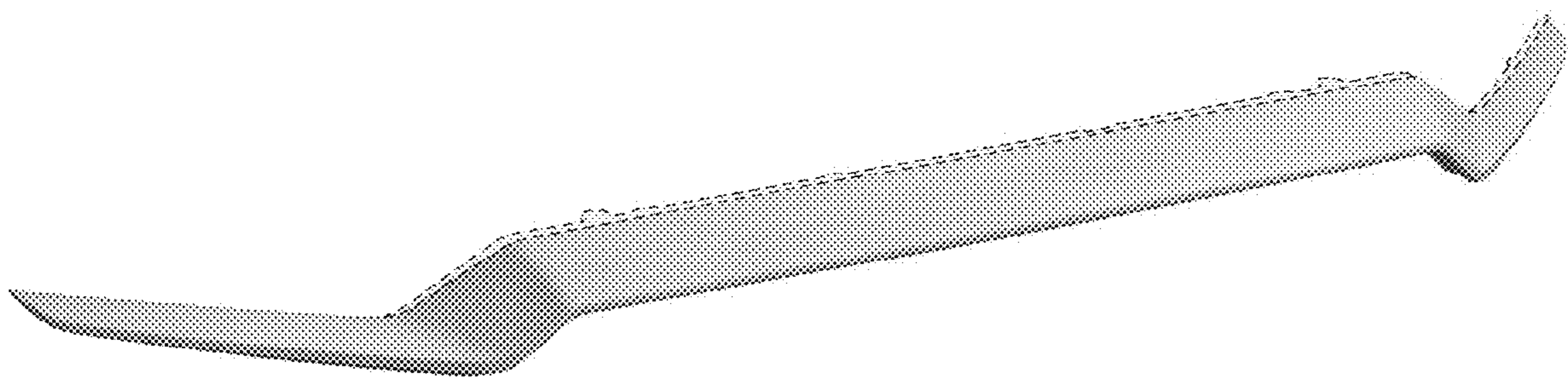


FIG. 2



FIG. 3

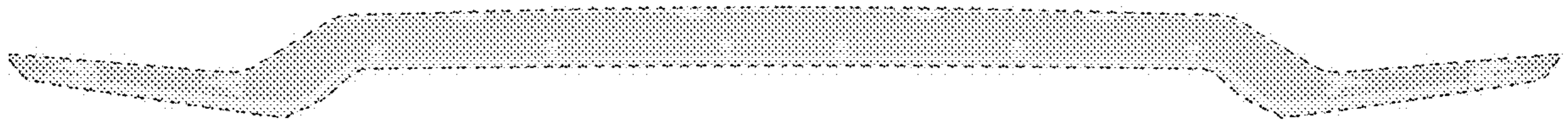


FIG. 4



FIG. 5



FIG. 6

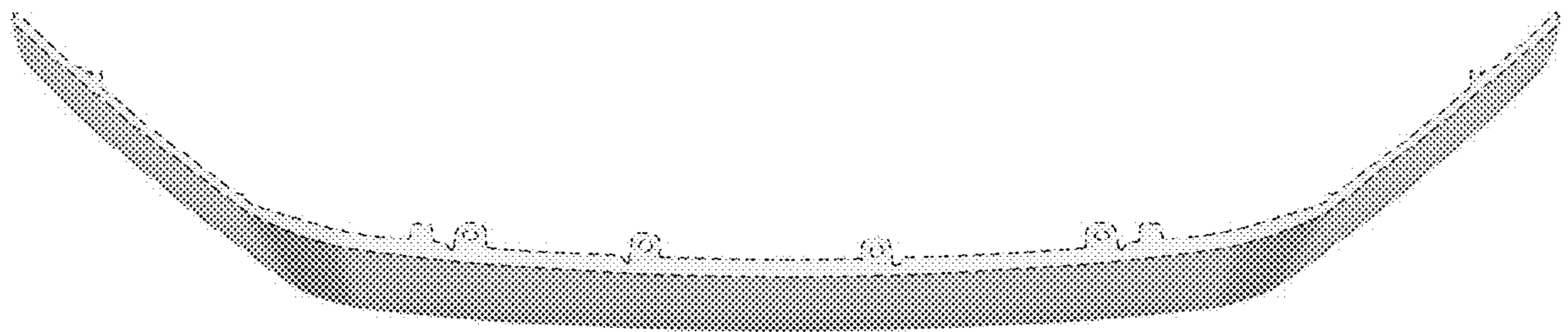


FIG. 7

