



US00D949074S

(12) **United States Design Patent**  
**Liu**

(10) **Patent No.:** **US D949,074 S**

(45) **Date of Patent:** **\*\* Apr. 19, 2022**

(54) **REAR VIEW MIRROR**

(71) Applicant: **Xtreme inc**, Chino, CA (US)

(72) Inventor: **Luffy Zongxian Liu**, Chino, CA (US)

(\*\*) Term: **15 Years**

(21) Appl. No.: **29/786,351**

(22) Filed: **May 31, 2021**

(51) **LOC (13) Cl.** ..... **12-16**

(52) **U.S. Cl.**  
USPC ..... **D12/187**

(58) **Field of Classification Search**  
USPC ..... D12/187, 188, 400, 300, 309  
CPC ..... B60R 1/076; G02B 7/182; G02B 5/08;  
G02B 7/18

See application file for complete search history.

(56) **References Cited**

**U.S. PATENT DOCUMENTS**

D410,607 S	*	6/1999	Carter	.....	D12/187
D451,456 S	*	12/2001	Santo	.....	D12/187
D451,869 S	*	12/2001	Knapp	.....	D12/187
D535,925 S		1/2007	Baker		
D746,195 S	*	12/2015	Sloterbeek	.....	D12/187
D755,097 S		5/2016	Lin		
D783,476 S		4/2017	Huang		
D808,315 S		1/2018	Danze		
D865,599 S	*	11/2019	Hamlin	.....	D12/187

D874,367 S	*	2/2020	Roth	.....	D12/187
D881,769 S	*	4/2020	Hamlin	.....	D12/187
10,829,047 B2	*	11/2020	Hamlin	.....	B60R 1/04
D906,913 S	*	1/2021	Chang	.....	D12/187
D938,875 S	*	12/2021	Sloterbeek	.....	D12/187
2014/0192431 A1	*	7/2014	Sloterbeek	.....	B60R 1/12 359/871
2019/0299867 A1	*	10/2019	Pollack	.....	B60R 1/12
2020/0293099 A1	*	9/2020	Veenman	.....	B60R 1/04

\* cited by examiner

*Primary Examiner* — Katrina A Betton

(74) *Attorney, Agent, or Firm* — Rमित Ranjit Kanakia

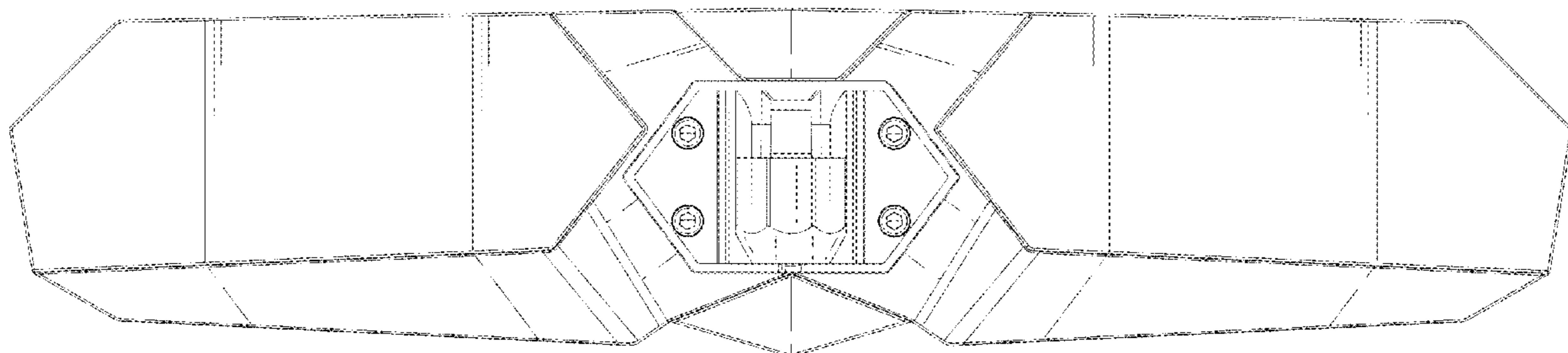
(57) **CLAIM**

I claim the ornamental design for a rear view mirror, as shown and described.

**DESCRIPTION**

FIG. 1 is a Perspective view of a rear view mirror showing my new design;  
FIG. 2 is a Front view thereof;  
FIG. 3 is a Back view thereof;  
FIG. 4 is a Right-side view thereof;  
FIG. 5 is a Left-side view thereof;  
FIG. 6 is a Top view thereof;  
FIG. 7 is a Bottom view thereof; and,  
FIG. 8 is an exposed top view thereof.  
The broken lines in the drawings depict portions of the rear view mirror that form no part of the claimed design.

**1 Claim, 6 Drawing Sheets**



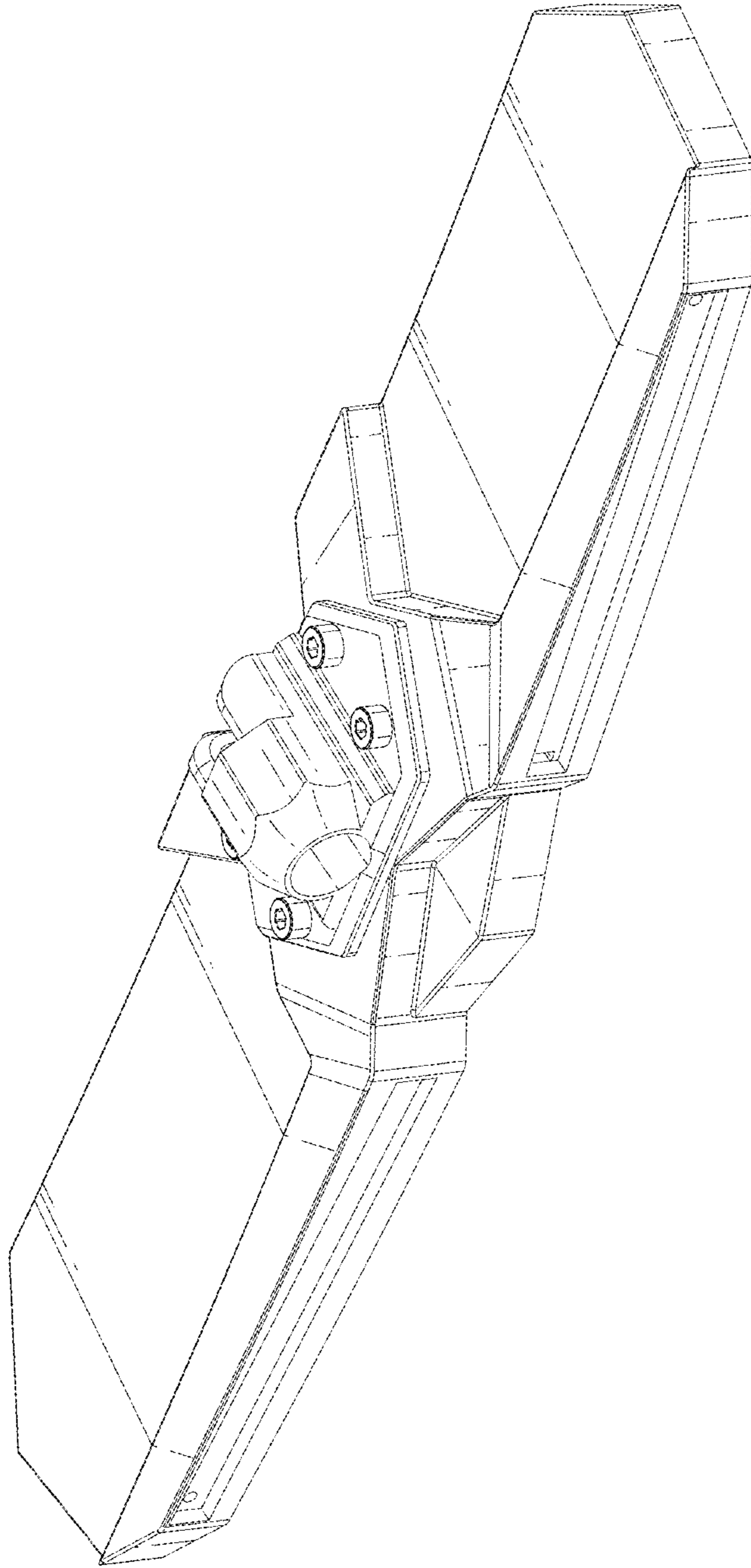


FIG. 1

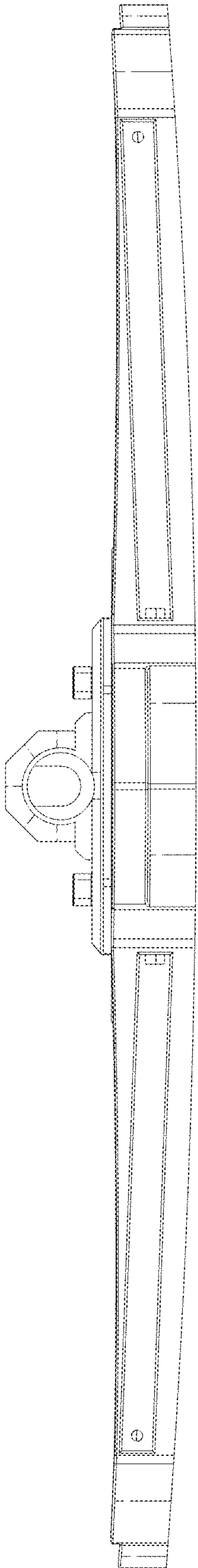


FIG. 2

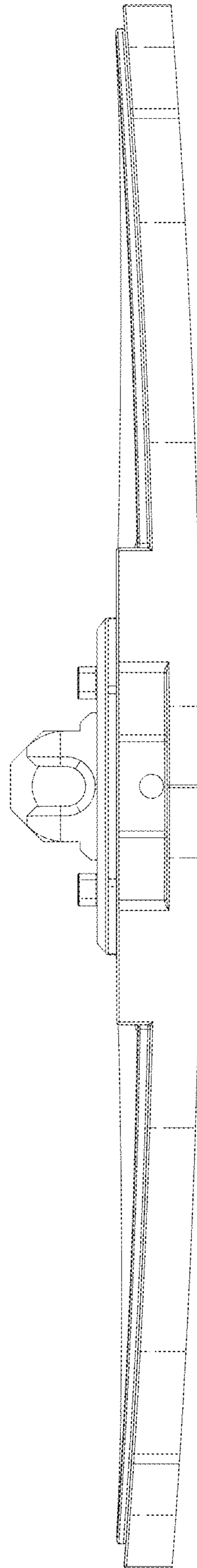


FIG. 3

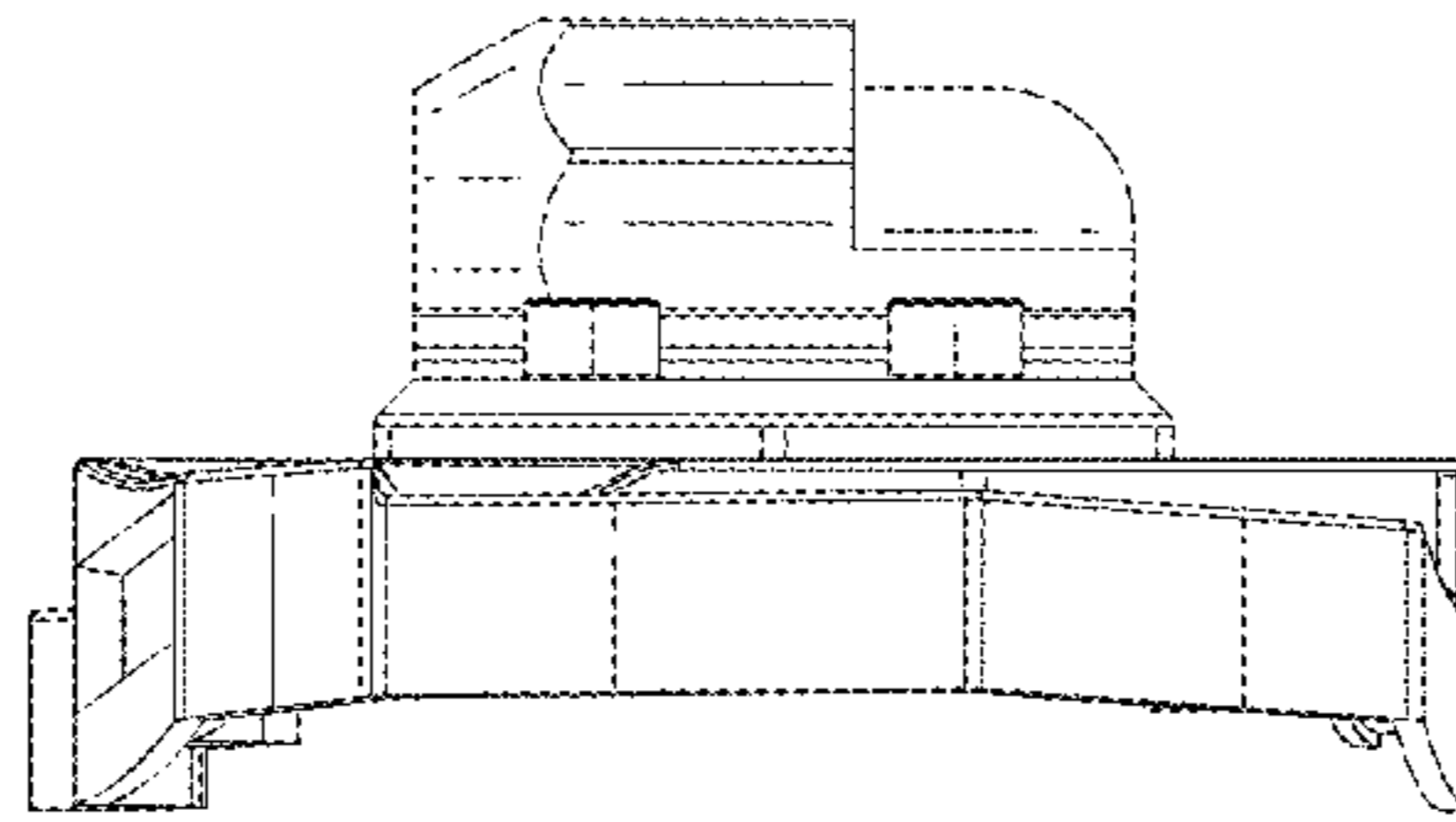


FIG. 4

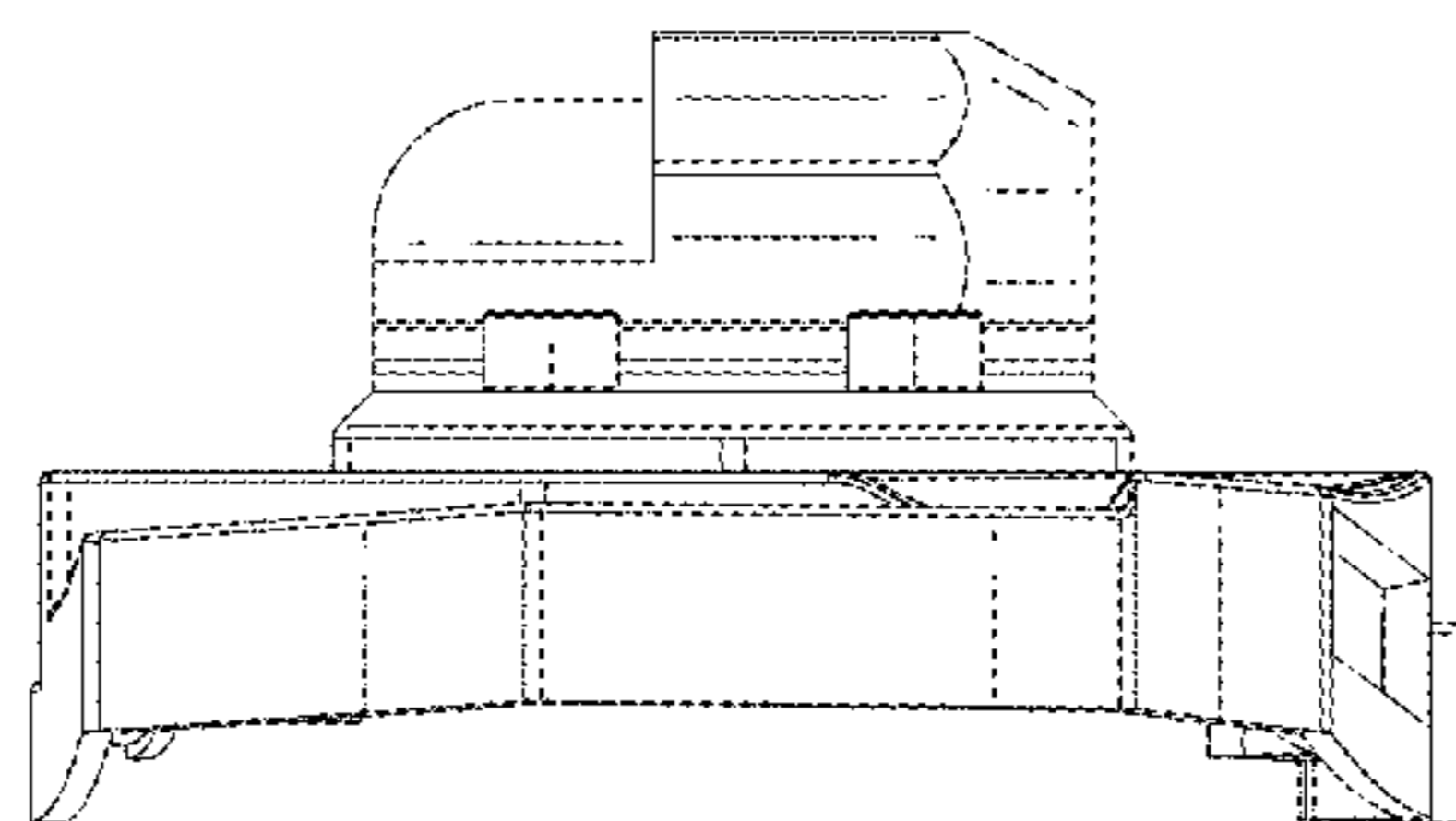


FIG. 5

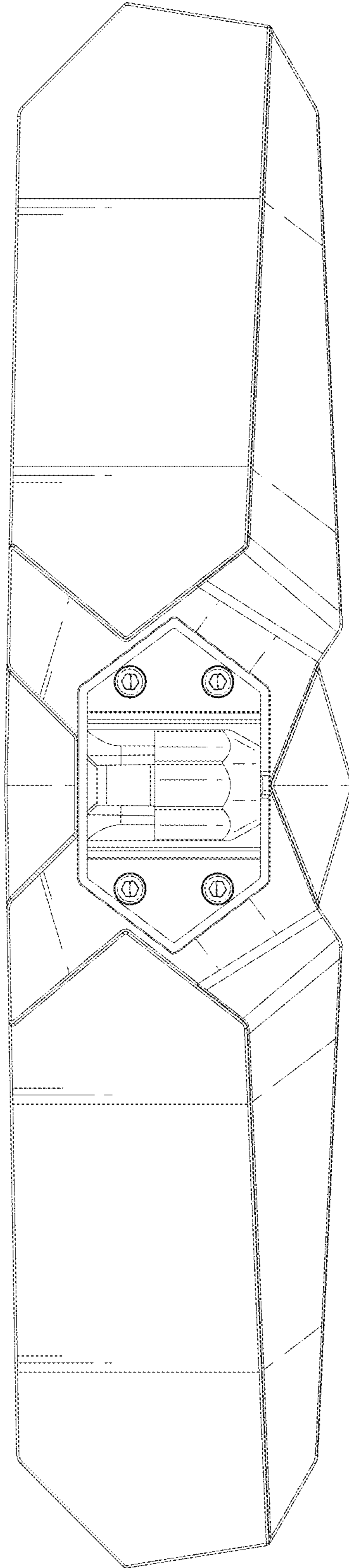


FIG. 6

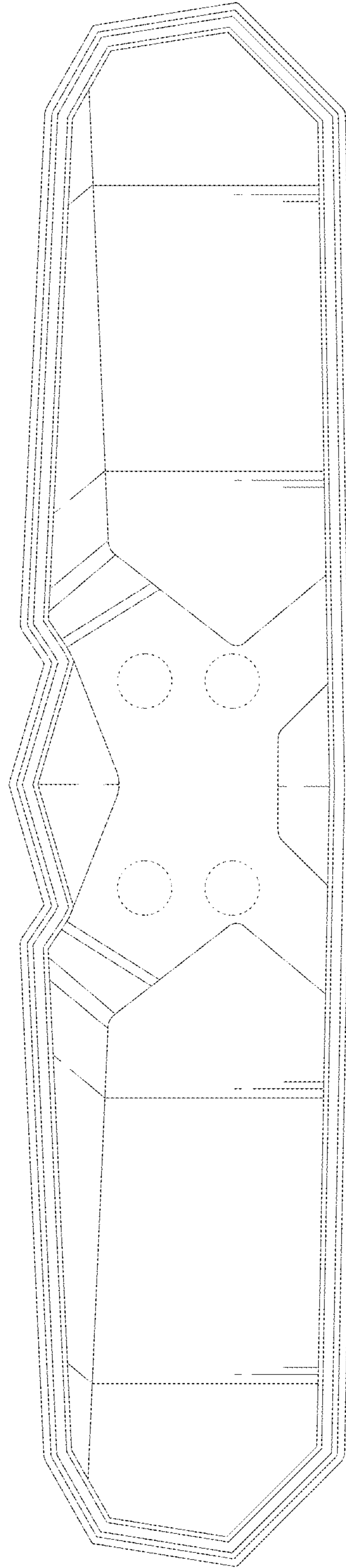


FIG. 7

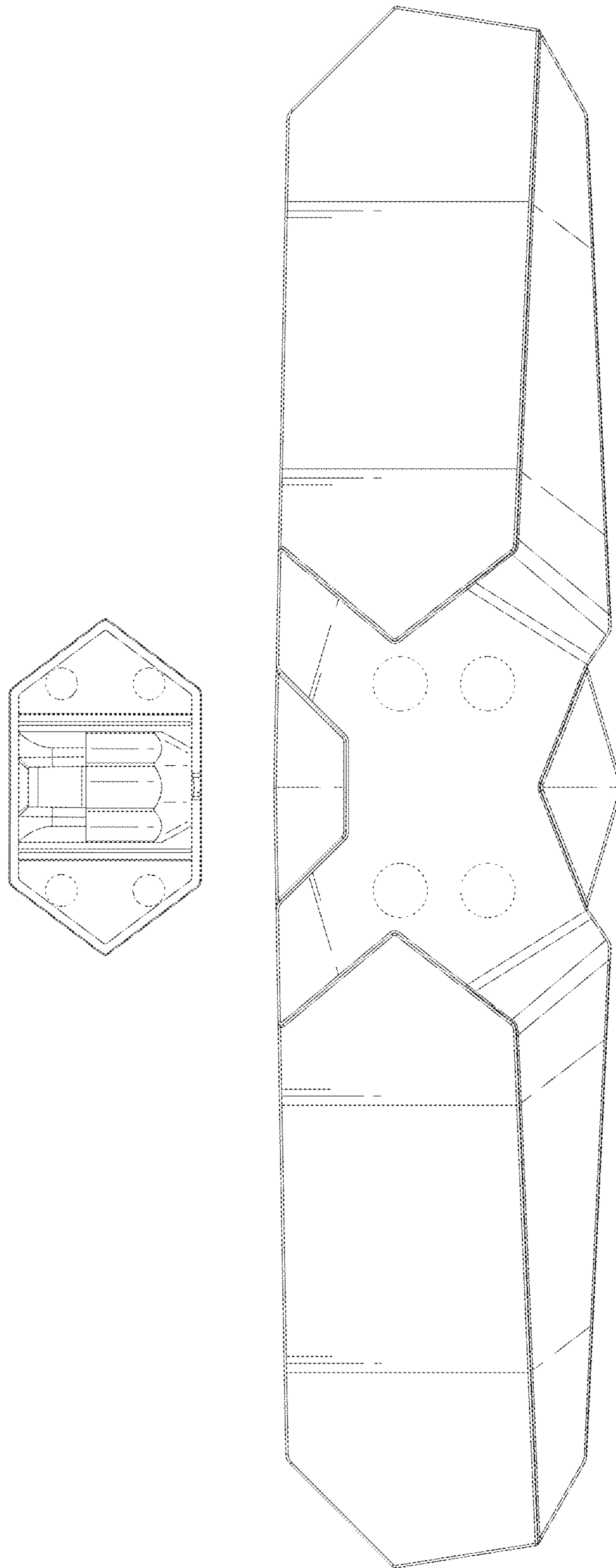


FIG. 8