



US00D949073S

(12) **United States Design Patent**  
**Liu**

(10) **Patent No.:** **US D949,073 S**

(45) **Date of Patent:** **\*\* Apr. 19, 2022**

(54) **SIDE MIRROR**

(71) Applicant: **Xtreme inc**, Chino, CA (US)

(72) Inventor: **Luffy Zongxian Liu**, Chino, CA (US)

(\*\*) Term: **15 Years**

(21) Appl. No.: **29/782,840**

(22) Filed: **May 10, 2021**

(51) **LOC (13) Cl.** ..... **12-17**

(52) **U.S. Cl.**  
USPC ..... **D12/187**

(58) **Field of Classification Search**  
USPC ..... D12/187, 400, 188, 189; D6/300, 309  
CPC ..... B60R 1/076; G02B 7/182; G02B 5/08;  
G02B 7/18

See application file for complete search history.

(56) **References Cited**

**U.S. PATENT DOCUMENTS**

|              |         |          |       |         |
|--------------|---------|----------|-------|---------|
| D509,465 S * | 9/2005  | Metros   | ..... | D12/187 |
| D543,918 S   | 6/2007  | Pfeiffer |       |         |
| D793,310 S * | 8/2017  | Hwang    | ..... | D12/187 |
| D804,379 S   | 12/2017 | McMahan  |       |         |
| D851,002 S   | 6/2019  | Kozub    |       |         |
| D855,523 S   | 8/2019  | Perkins  |       |         |

|              |         |           |       |         |
|--------------|---------|-----------|-------|---------|
| D855,524 S * | 8/2019  | Lee       | ..... | D12/187 |
| D865,600 S * | 11/2019 | Goodrich  | ..... | D12/187 |
| D878,263 S * | 3/2020  | Melikian  | ..... | D12/187 |
| D880,385 S * | 4/2020  | Gillam    | ..... | D12/187 |
| D886,015 S * | 6/2020  | Kim       | ..... | D12/187 |
| D913,881 S * | 3/2021  | Hilliard  | ..... | D12/187 |
| D926,095 S * | 7/2021  | Streicher | ..... | D12/187 |
| D932,403 S * | 10/2021 | Jenkins   | ..... | D12/187 |
| D936,543 S * | 11/2021 | Wraith    | ..... | D12/187 |
| D936,544 S * | 11/2021 | Wang      | ..... | D12/187 |
| D937,162 S * | 11/2021 | Wang      | ..... | D12/187 |

\* cited by examiner

*Primary Examiner* — Katrina A Betton

(74) *Attorney, Agent, or Firm* — Rumi Ranjit Kanakia

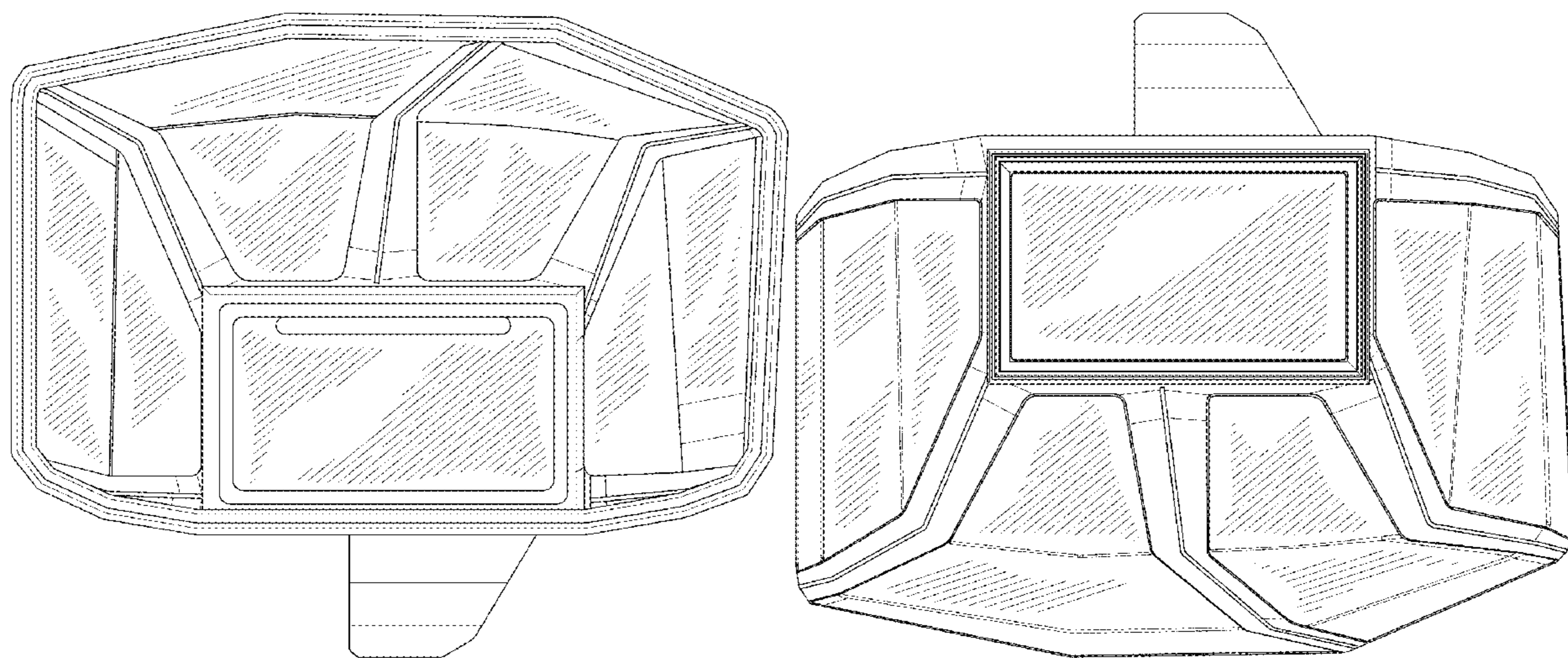
(57) **CLAIM**

I claim the ornamental design for a side mirror, as shown and described.

**DESCRIPTION**

FIG. 1 is a Perspective view of a side mirror showing my new design;  
FIG. 2 is Front view thereof;  
FIG. 3 is a Back view thereof;  
FIG. 4 is a Right-side view thereof;  
FIG. 5 is a Left-side view thereof;  
FIG. 6 is a Top view thereof; and,  
FIG. 7 is a Bottom view thereof.

**1 Claim, 7 Drawing Sheets**



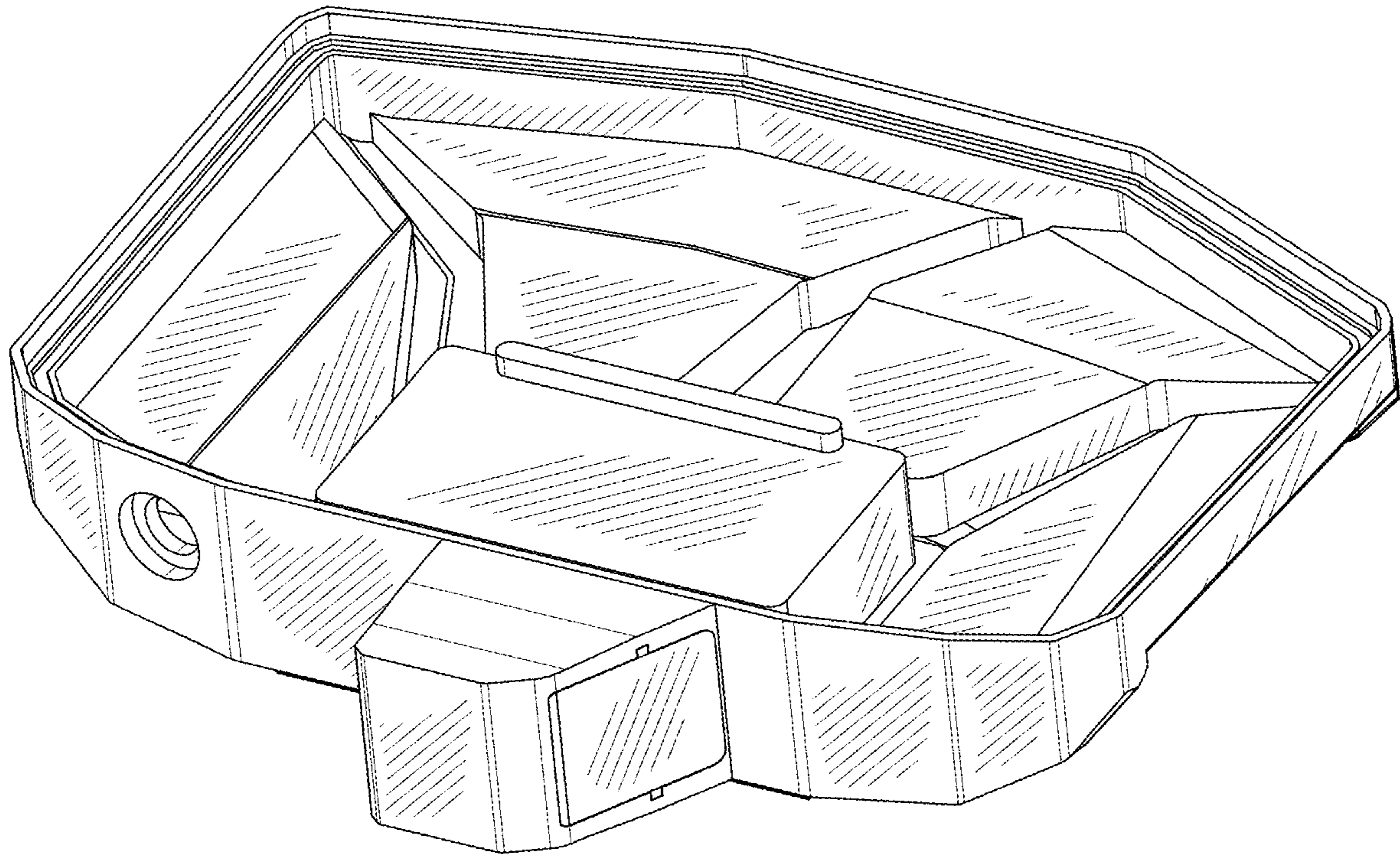


FIG. 1

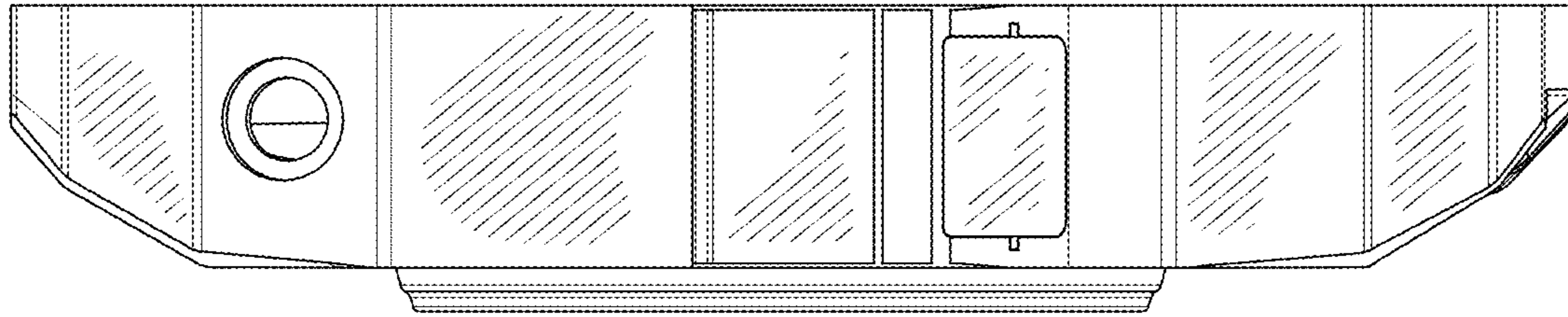


FIG. 2

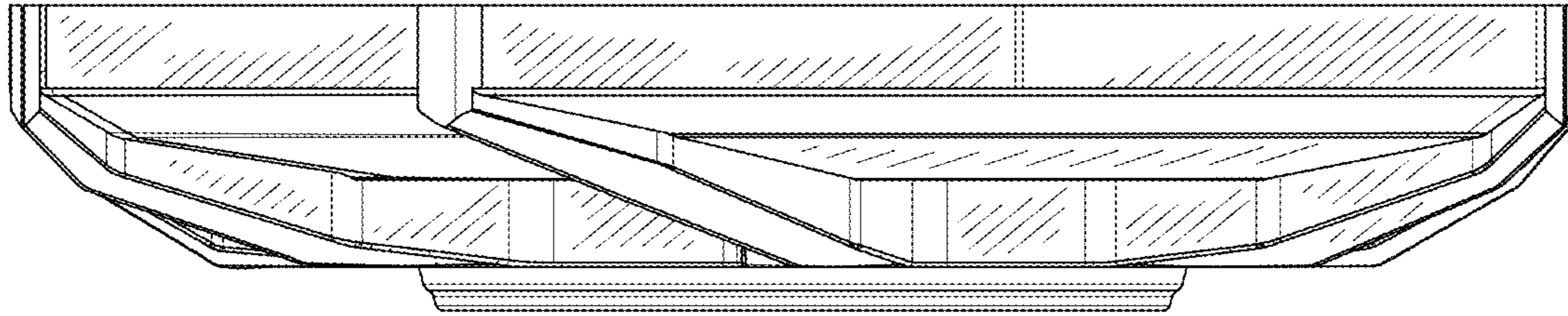


FIG. 3

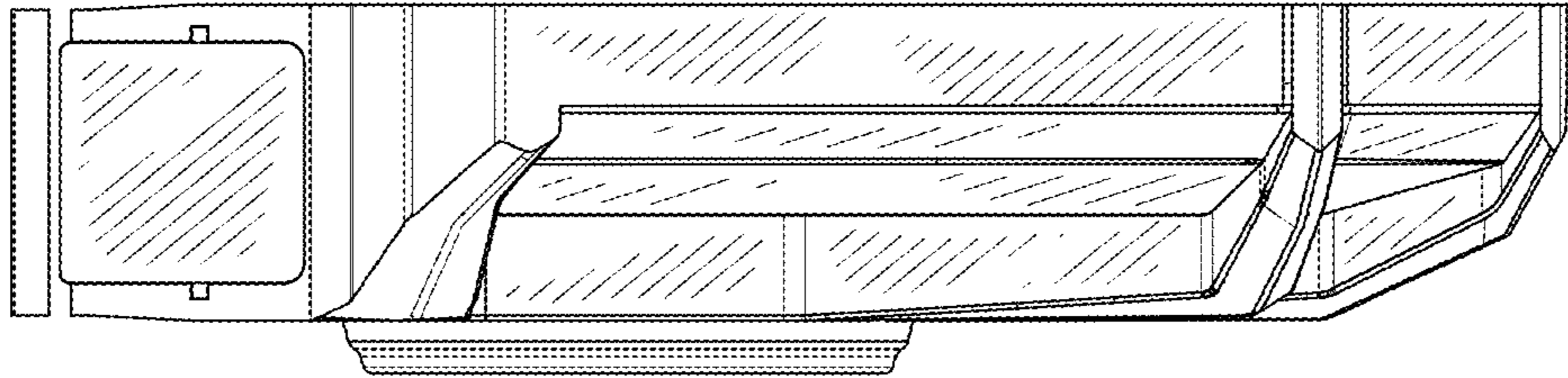


FIG. 4

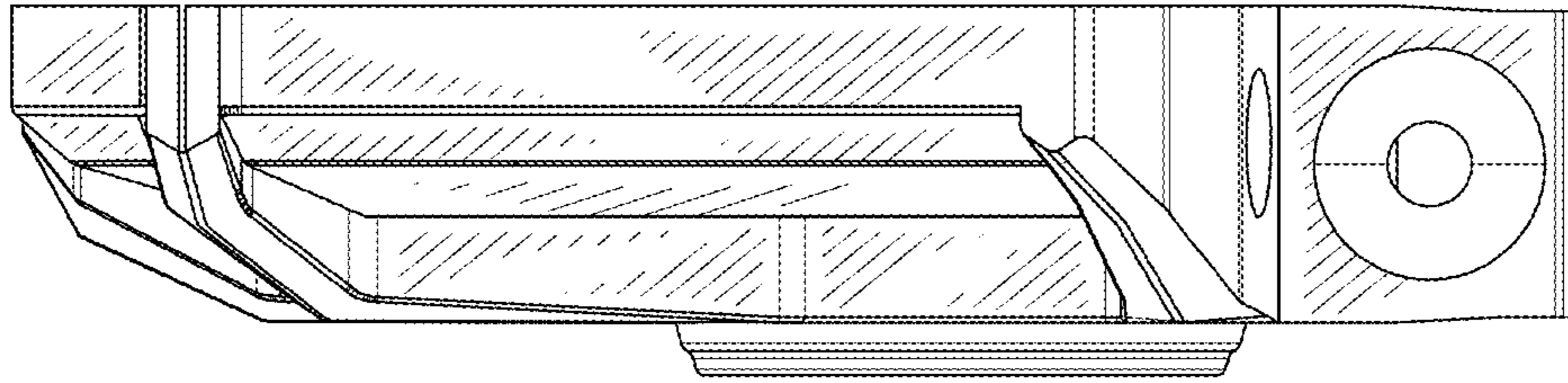


FIG. 5

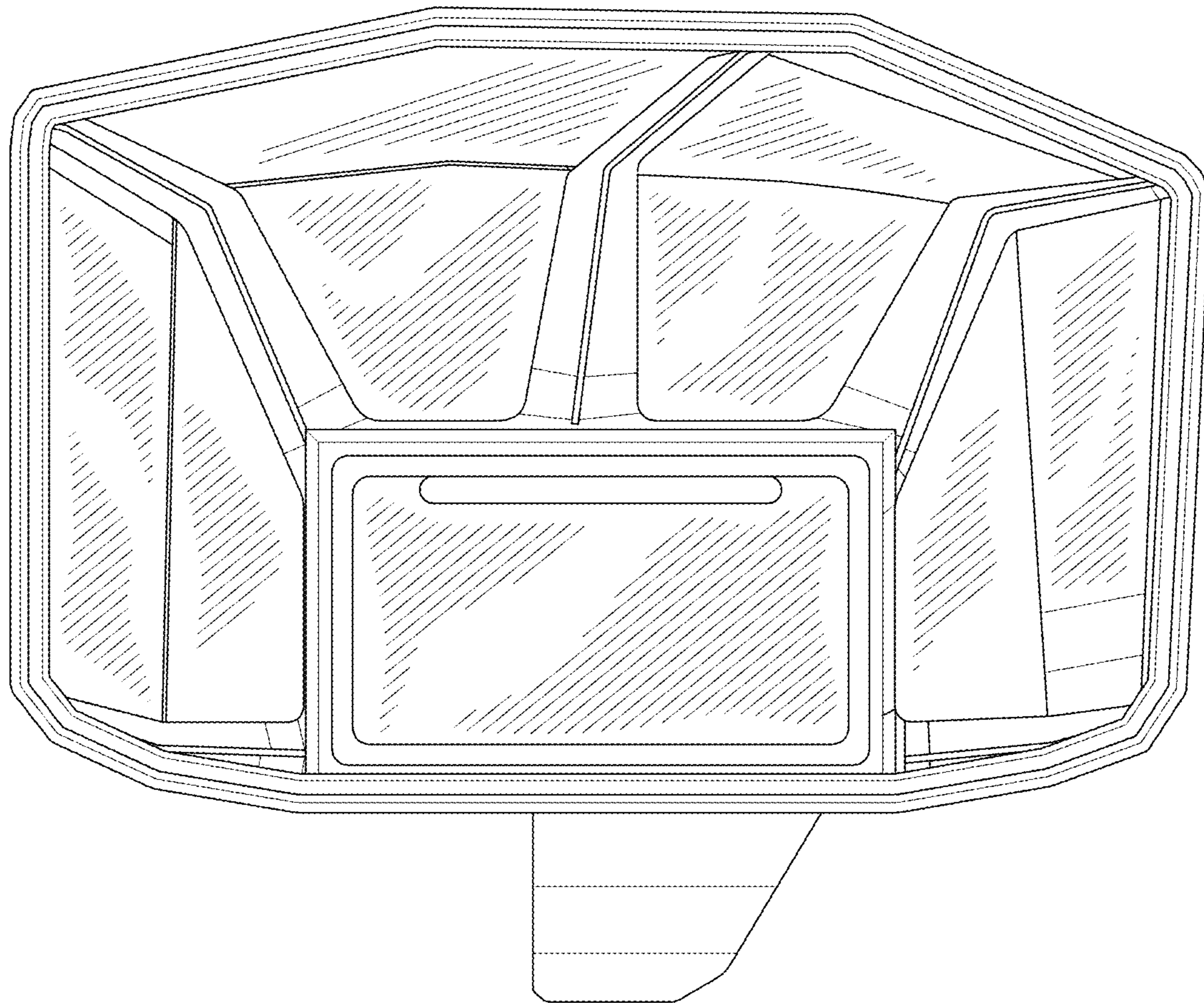


FIG. 6

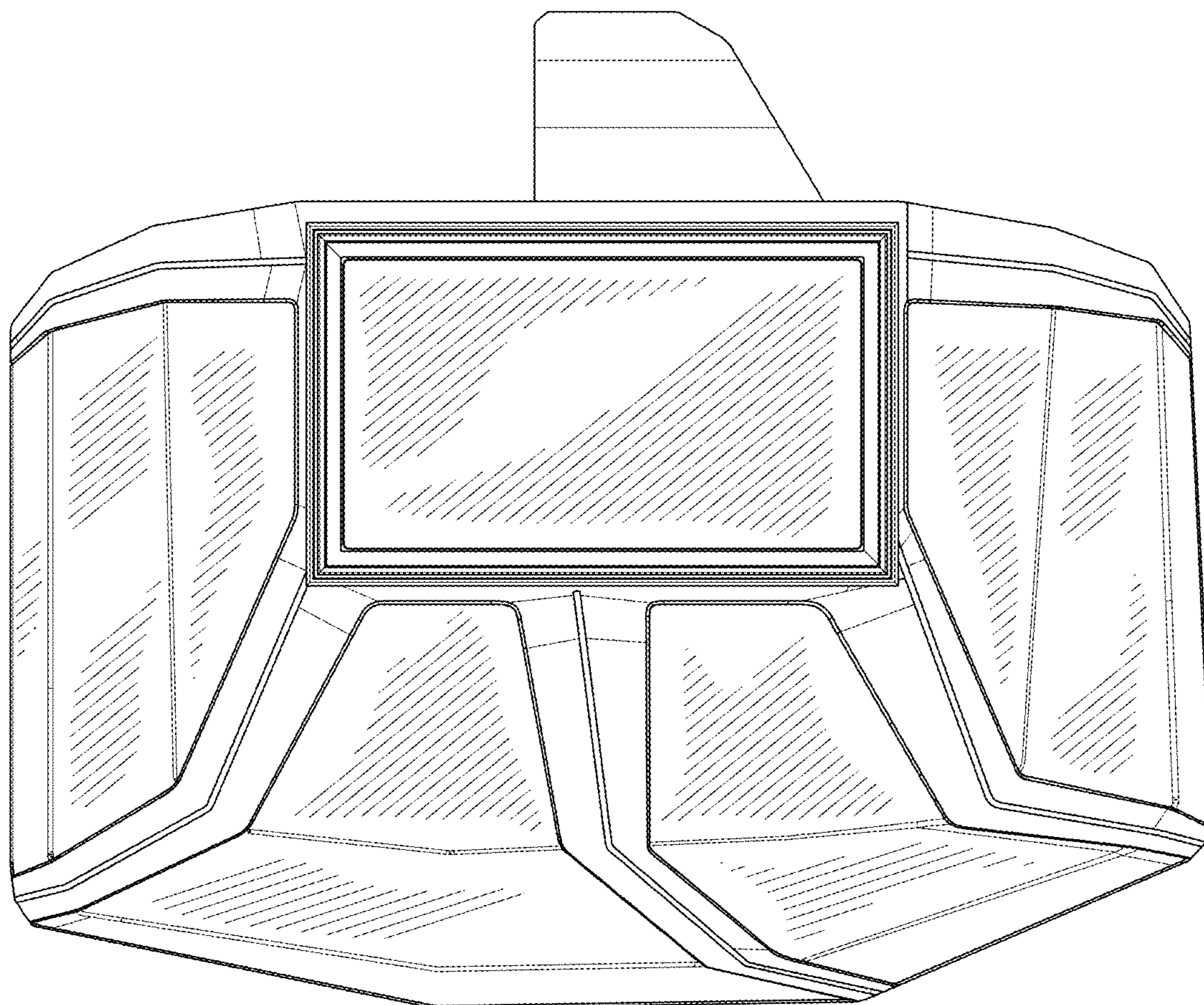


FIG. 7