



US00D949067S

(12) **United States Design Patent**  
**Hu**

(10) **Patent No.:** **US D949,067 S**

(45) **Date of Patent:** **\*\* Apr. 19, 2022**

- (54) **BUMPER FOR AN AUTOMOBILE**
- (71) Applicant: **Shanghai Yinta NetWork Technology Co., Ltd., Shanghai (CN)**
- (72) Inventor: **Shaomin Hu, Shanghai (CN)**
- (73) Assignee: **Shanghai Yinta NetWork Technology Co., Ltd., Shanghai (CN)**

- D760,133 S \* 6/2016 Bennett ..... D12/171
- D771,537 S \* 11/2016 Hare ..... D12/171
- D775,013 S \* 12/2016 Bennett ..... D12/169
- D775,016 S \* 12/2016 Reynolds ..... D12/171
- D776,582 S \* 1/2017 Bennett ..... D12/169
- D777,619 S \* 1/2017 Barajas ..... D12/171
- D792,818 S \* 7/2017 Me ..... D12/171
- D793,304 S \* 8/2017 Me ..... D12/171
- D800,036 S \* 10/2017 Bennett ..... D12/169

(Continued)

(\*\*) Term: **15 Years**

*Primary Examiner* — Darlington Ly

(21) Appl. No.: **29/754,656**

(74) *Attorney, Agent, or Firm* — Dragon Sun Law Firm, PC; Jinggao Li, Esq.

(22) Filed: **Oct. 13, 2020**

(57) **CLAIM**

(30) **Foreign Application Priority Data**

The ornamental design for a bumper for an automobile, as shown and described.

Apr. 13, 2020 (CN) ..... 202030143619.4

**DESCRIPTION**

(51) **LOC (13) Cl.** ..... **12-16**

(52) **U.S. Cl.**  
USPC ..... **D12/171; D12/169**

(58) **Field of Classification Search**  
USPC ..... D12/86, 90, 91, 92, 163, 164, 169, 171,  
D12/196, 216

CPC ..... B60R 19/02; B60R 19/18; B60R 19/24;  
B60R 19/56; B60R 2019/007; B62D  
25/0845

See application file for complete search history.

FIG. 1 is a top and front perspective view of bumper for an automobile embodying my new design;  
 FIG. 2 is a bottom and rear perspective view thereof;  
 FIG. 3 is a front elevation view thereof;  
 FIG. 4 is a rear elevation view thereof;  
 FIG. 5 is a bottom plan view thereof;  
 FIG. 6 is a top plan view thereof;  
 FIG. 7 is an enlarged left side elevation view thereof;  
 FIG. 8 is an enlarged right side elevation view thereof;  
 FIG. 9 is an enlarged and partial front perspective view thereof for portion 9 in FIG. 1;  
 FIG. 10 is an enlarged and partial rear perspective view thereof for portion 10 in FIG. 2;  
 FIG. 11 is an enlarged and partial front elevation view thereof for portion 11 in FIG. 3; and,  
 FIG. 12 is an enlarged and partial rear perspective view thereof for portion 12 in FIG. 4.

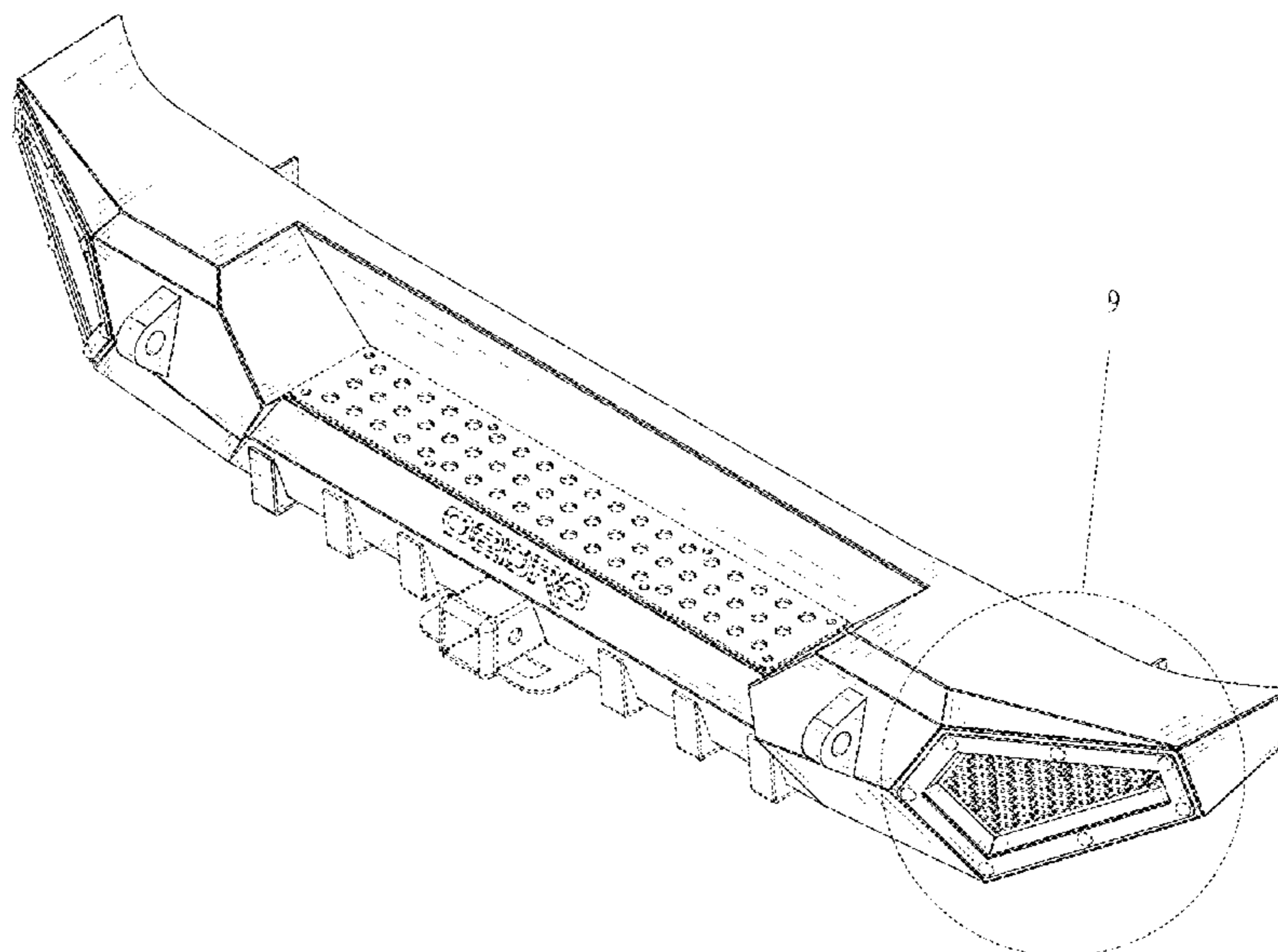
(56) **References Cited**

**U.S. PATENT DOCUMENTS**

- D300,128 S \* 3/1989 Brennan ..... D12/169
- D375,067 S \* 10/1996 Bronstein ..... D12/169
- D432,469 S \* 10/2000 Nelson ..... D12/169
- D502,433 S \* 3/2005 McClanahan ..... D12/169
- 7,703,834 B1 \* 4/2010 Hardy ..... B60R 19/023  
296/117
- D744,384 S \* 12/2015 Harriton ..... D12/169
- D744,387 S \* 12/2015 Harriton ..... D12/169
- D751,012 S \* 3/2016 Hare ..... D12/171

The broken lines shown in the figures depict portions of the bumper for an automobile that form no part of the claimed design.

**1 Claim, 12 Drawing Sheets**



(56)

**References Cited**

U.S. PATENT DOCUMENTS

D826,115 S \* 8/2018 Chi ..... B60R 19/52  
D12/172  
D833,922 S \* 11/2018 DiCanzio ..... D12/163  
D847,051 S \* 4/2019 DiCanzio ..... D12/171  
2017/0088076 A1\* 3/2017 Fujimoto ..... B60R 19/04

\* cited by examiner

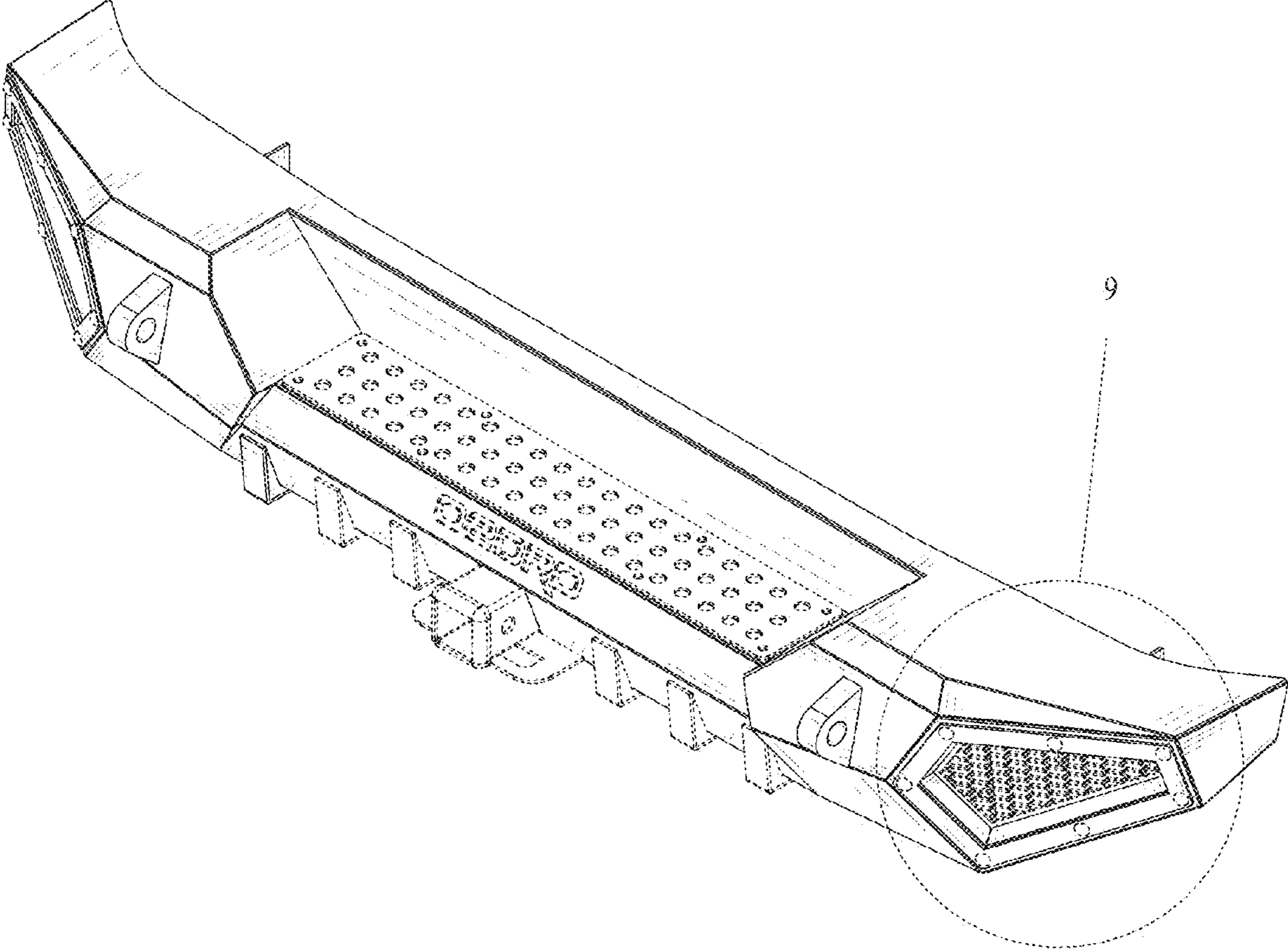


FIG. 1

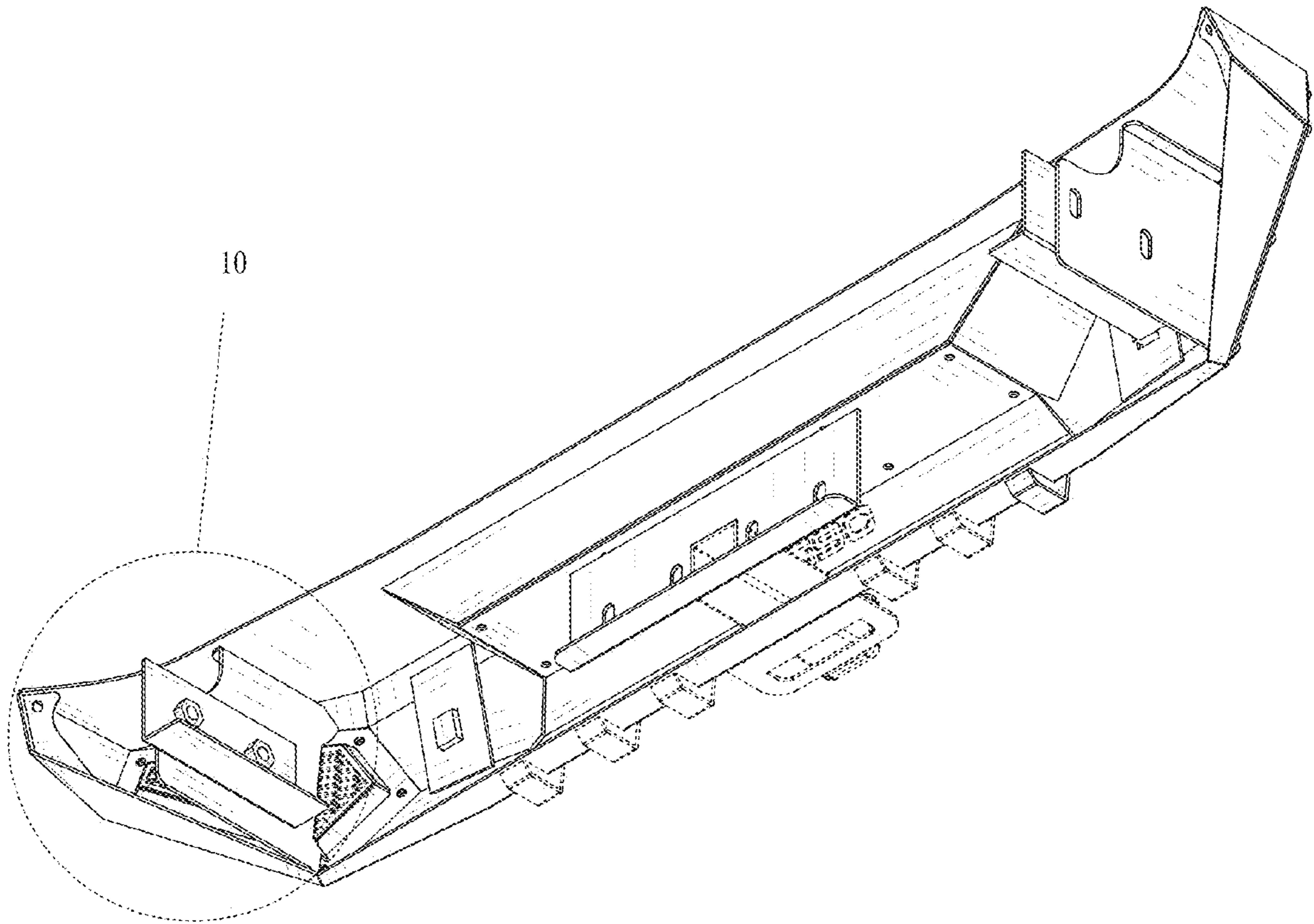


FIG. 2



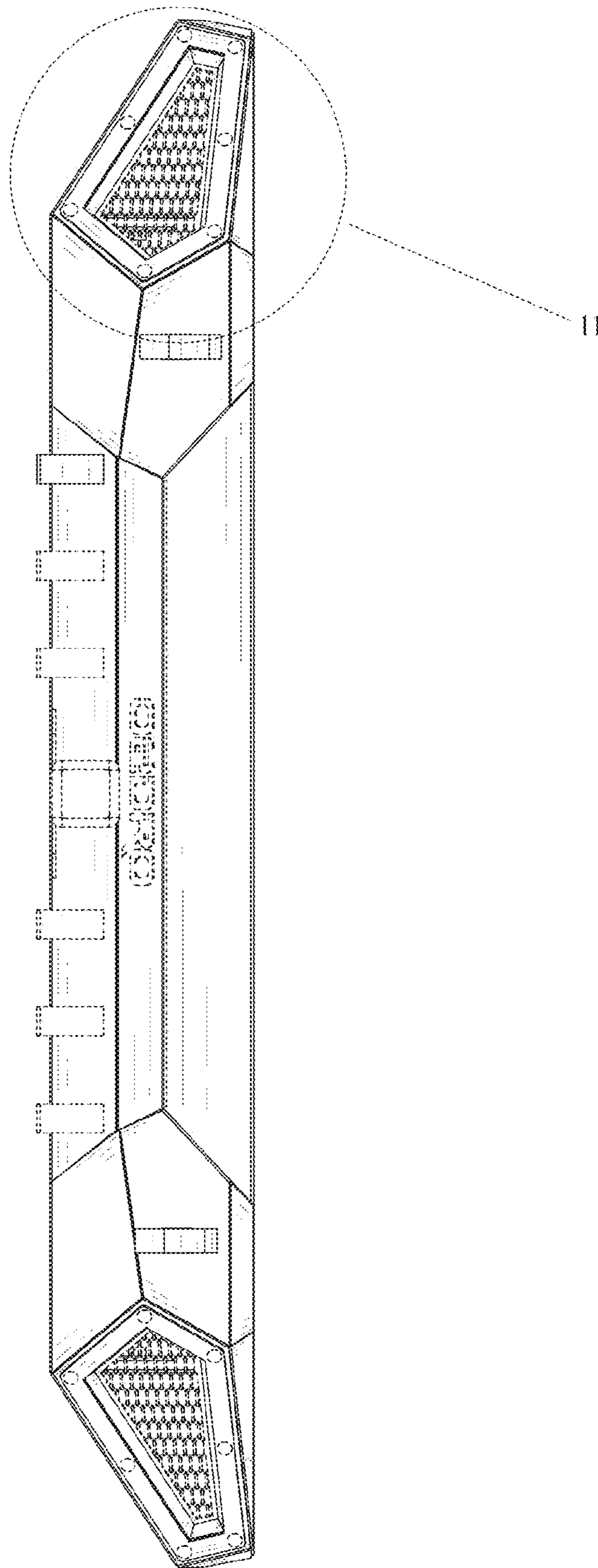


FIG. 3

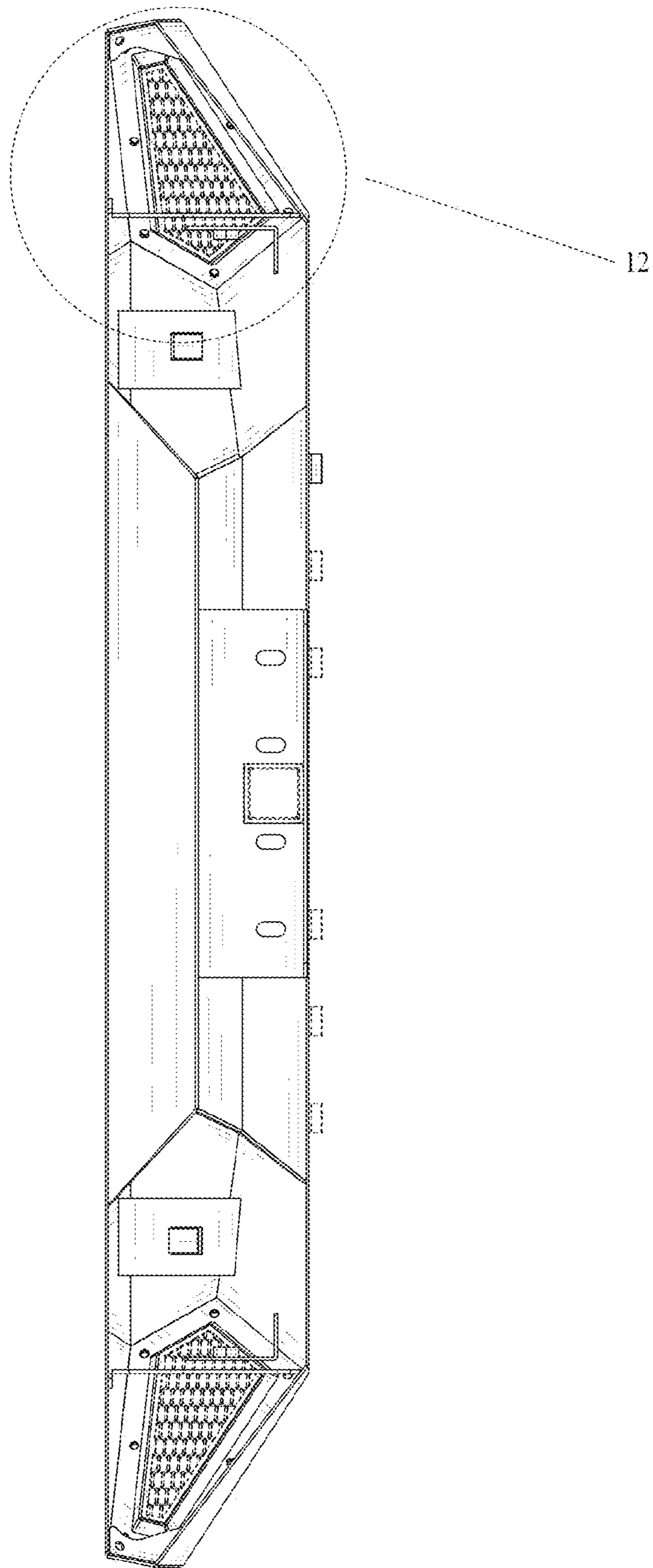


FIG. 4

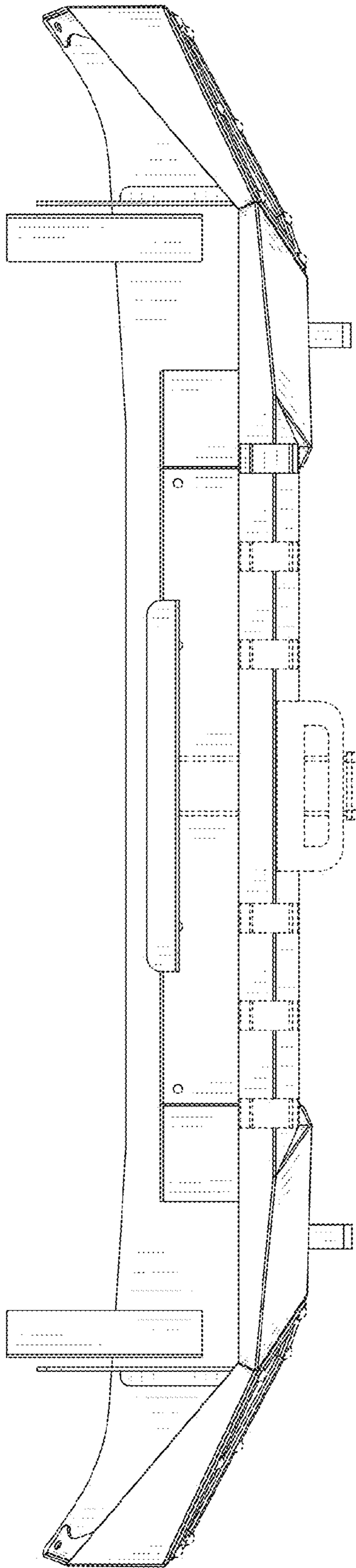


FIG. 5

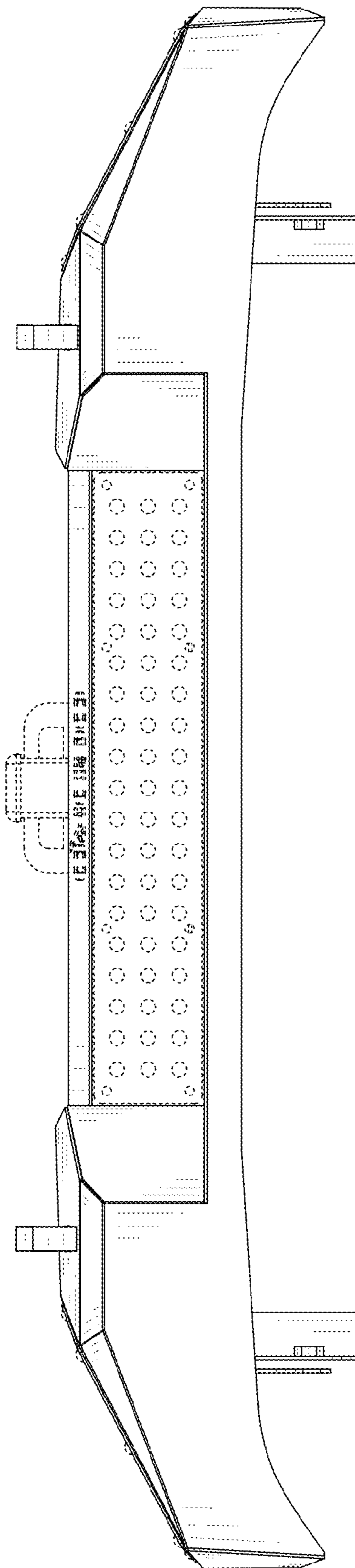


FIG. 6



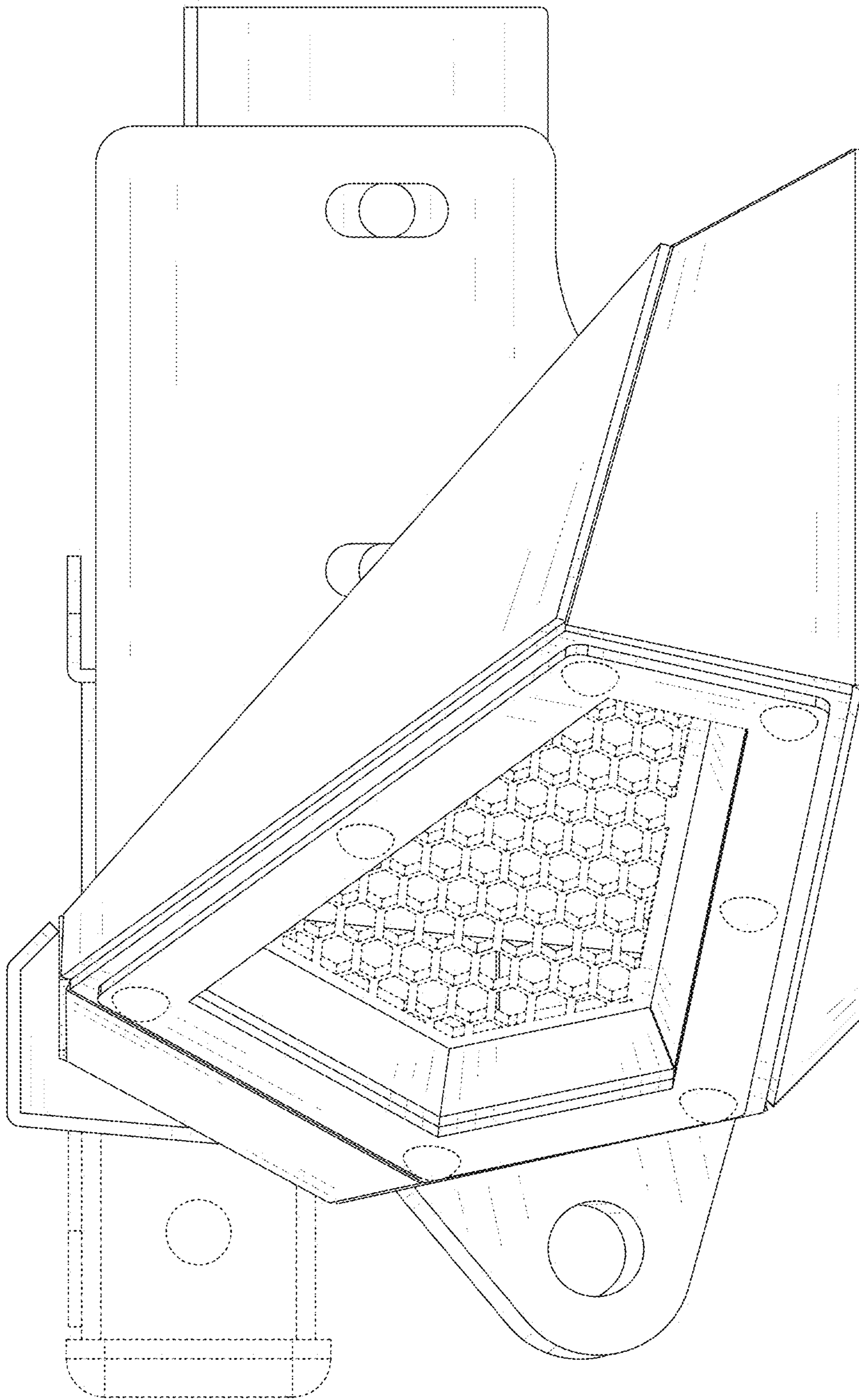


FIG. 7

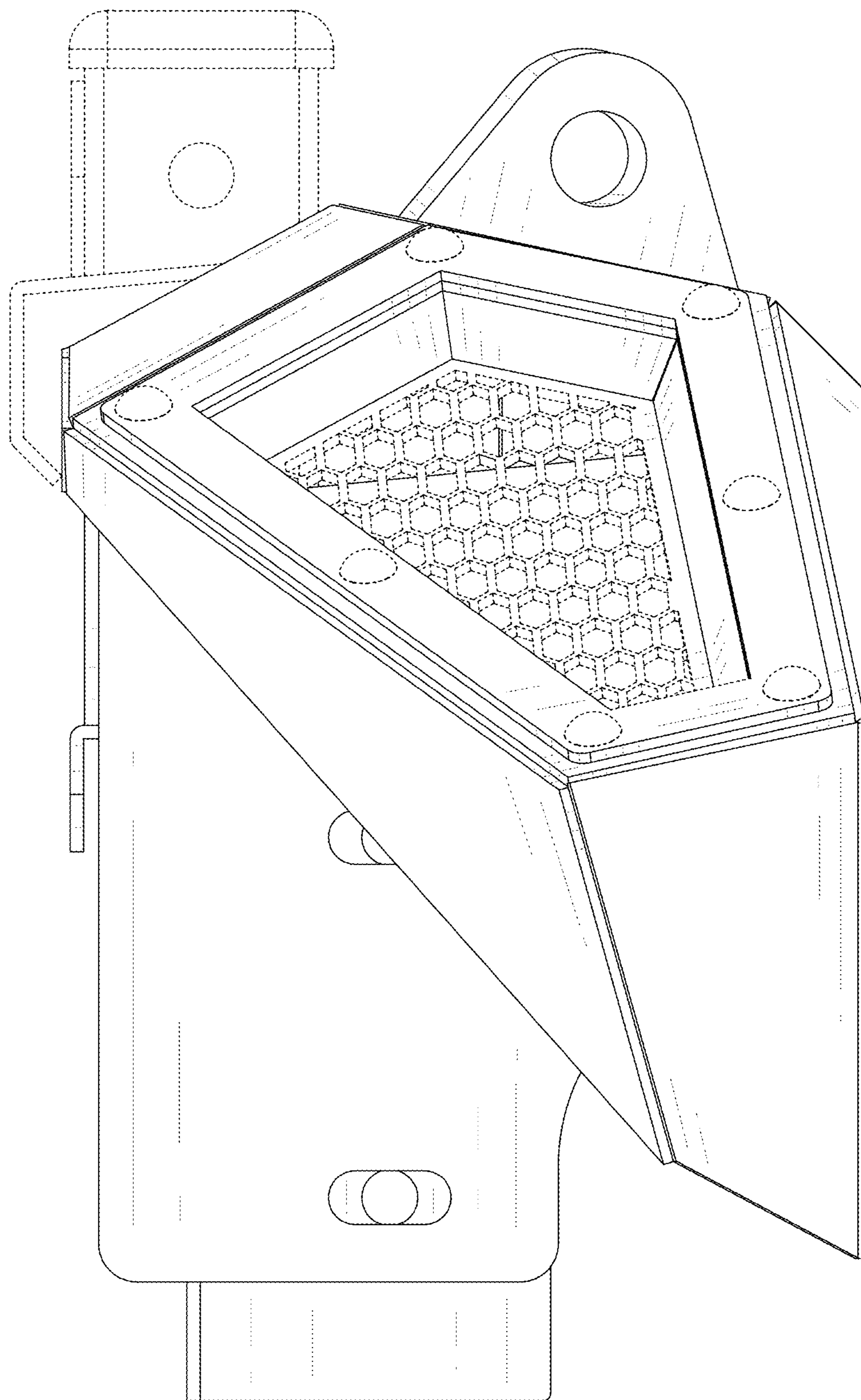


FIG. 8

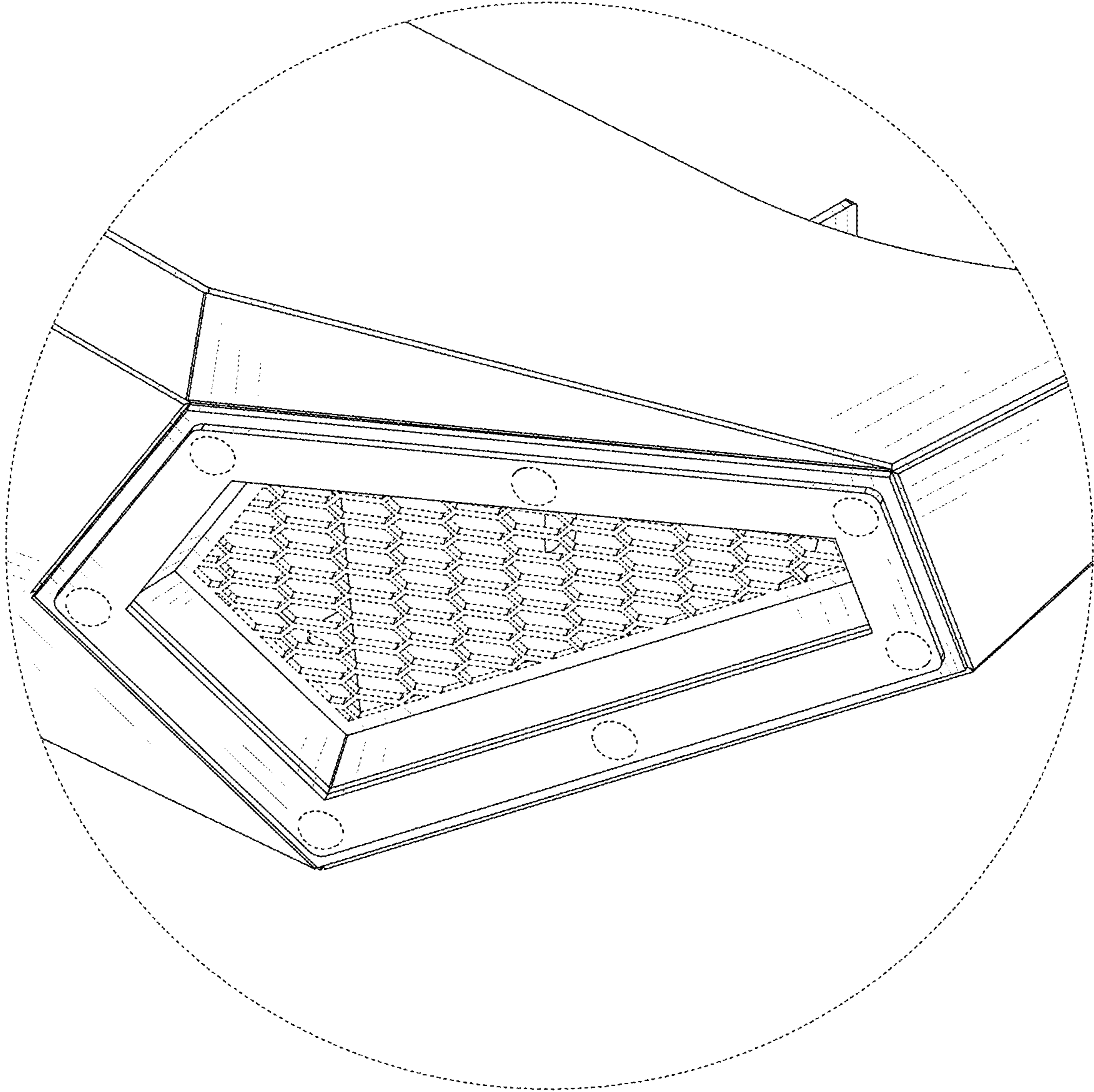


FIG. 9



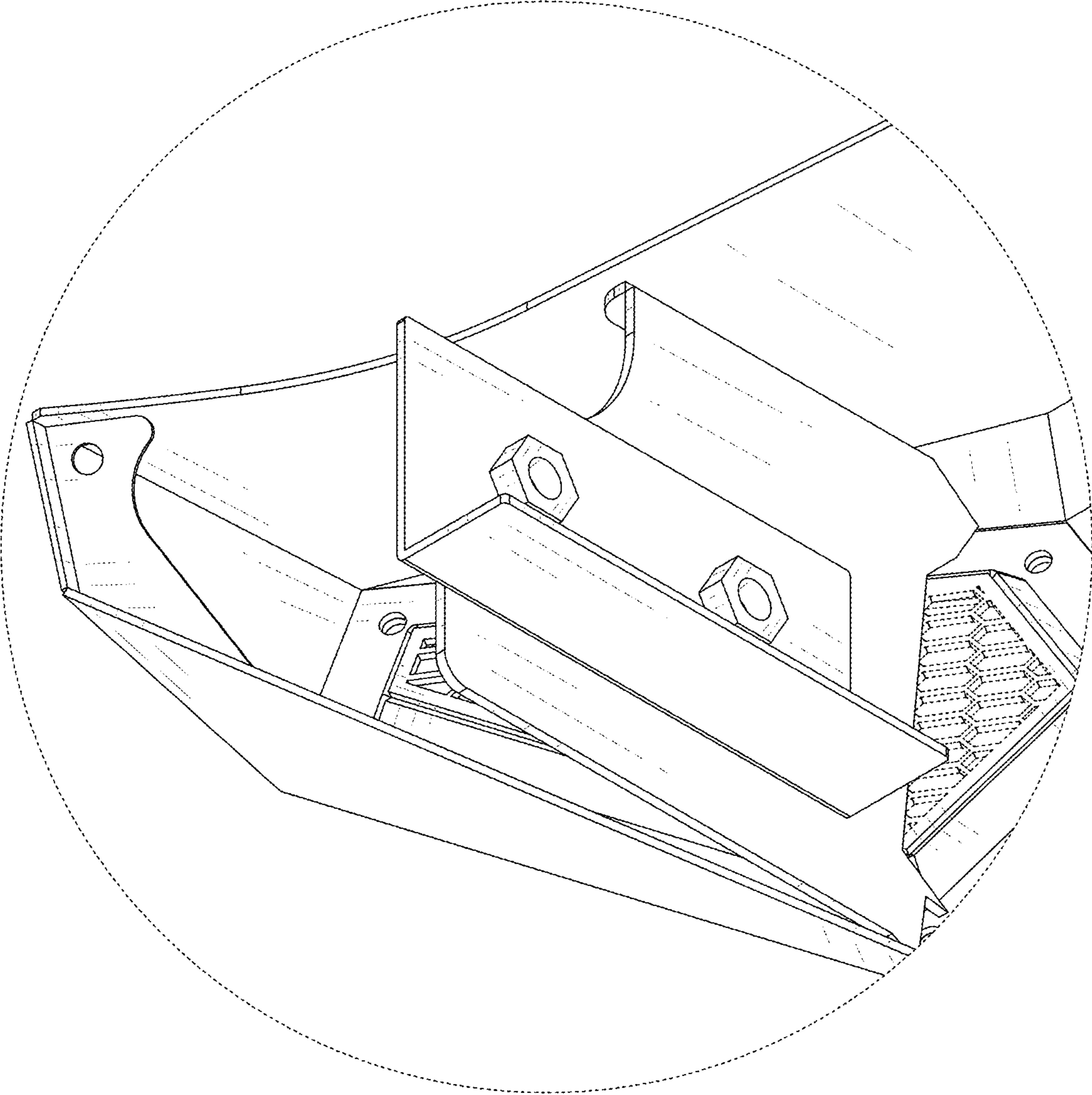


FIG. 10



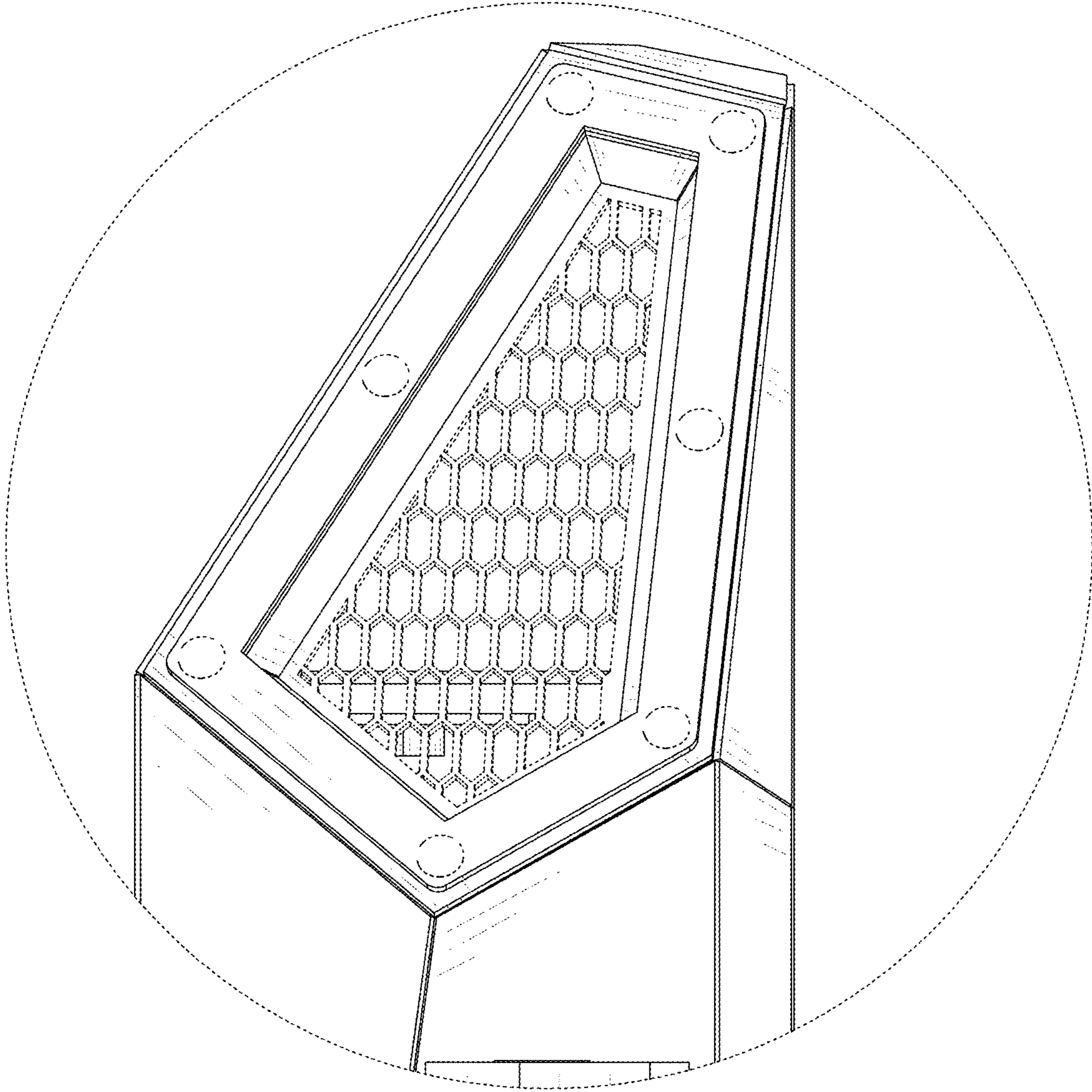


FIG. 11

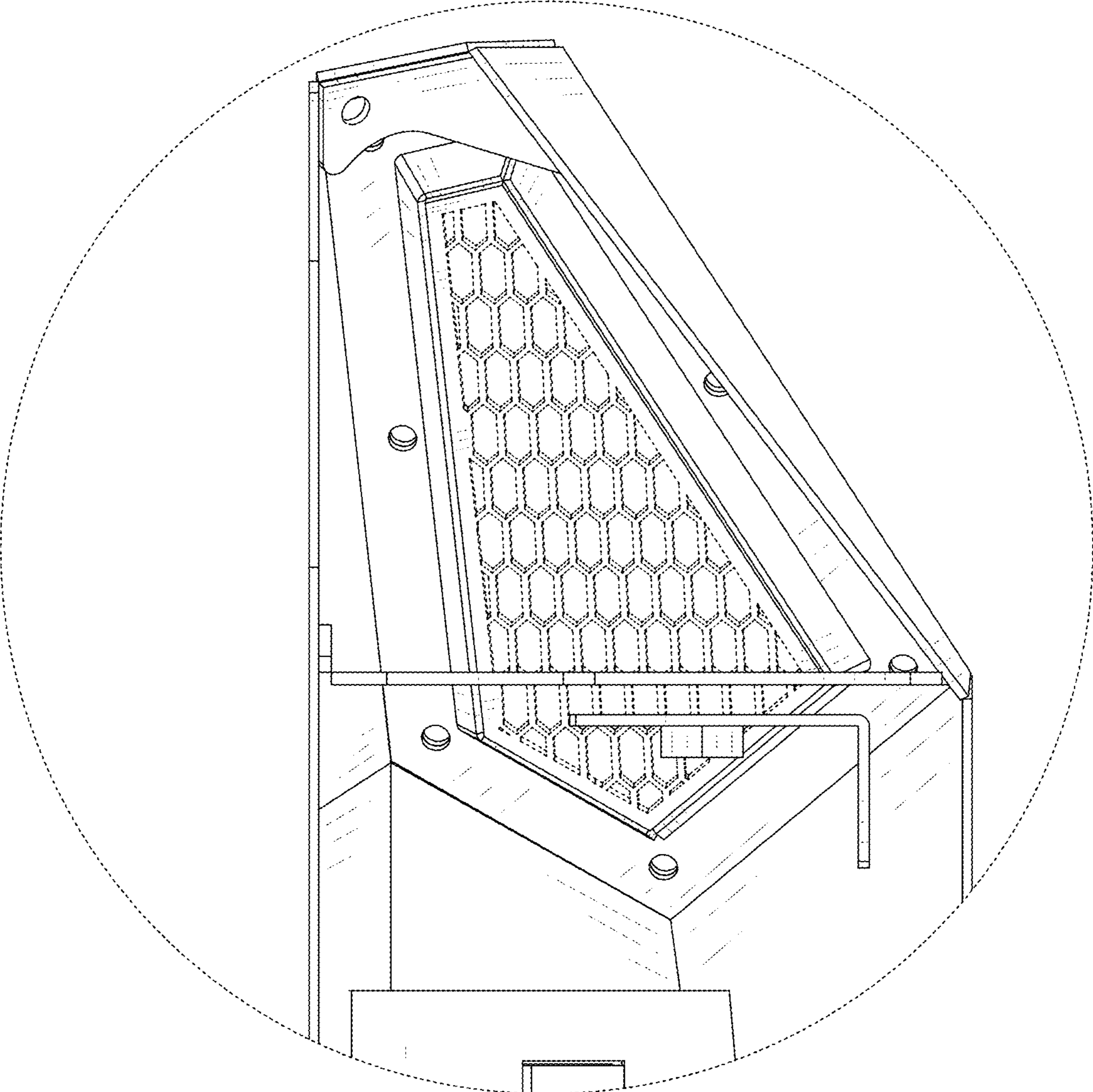


FIG. 12