

US00D949064S

(12) **United States Design Patent**
Kyeong

(10) **Patent No.:** **US D949,064 S**

(45) **Date of Patent:** **** Apr. 19, 2022**

(54) **HITCH PIN LOCK**
(71) Applicant: **Ju Ho Kyeong**, Icheon (KR)
(72) Inventor: **Ju Ho Kyeong**, Icheon (KR)
(**) Term: **15 Years**

(21) Appl. No.: **29/760,909**

(22) Filed: **Dec. 4, 2020**

(51) **LOC (13) Cl.** **12-16**

(52) **U.S. Cl.**
USPC **D12/162**

(58) **Field of Classification Search**
USPC D12/159-162
CPC . B60D 1/60; B60D 1/065; B60D 1/00; B60D
1/06; B60D 1/36; B62D 33/033
See application file for complete search history.

(56) **References Cited**

U.S. PATENT DOCUMENTS

D687,353 S * 8/2013 Dunn D12/162
D841,526 S * 2/2019 Siegel D12/162
D866,412 S * 11/2019 Williams D12/162
D869,997 S * 12/2019 Borkholder D12/162
D873,723 S * 1/2020 Borkholder D12/162
D897,245 S * 9/2020 Borkholder D12/162

D904,237 S * 12/2020 Qiu B60R 9/06
D12/162
D907,537 S * 1/2021 Goodner D12/162
D909,922 S * 2/2021 Siegel D12/162
D918,787 S * 5/2021 Cotter D12/162
D927,366 S * 8/2021 Repic B60R 9/06
D12/162
D935,952 S * 11/2021 Minetto D12/162

* cited by examiner

Primary Examiner — Katrina A Betton

(74) *Attorney, Agent, or Firm* — Lewis Roca Rothgerber
Christie LLP

(57) **CLAIM**

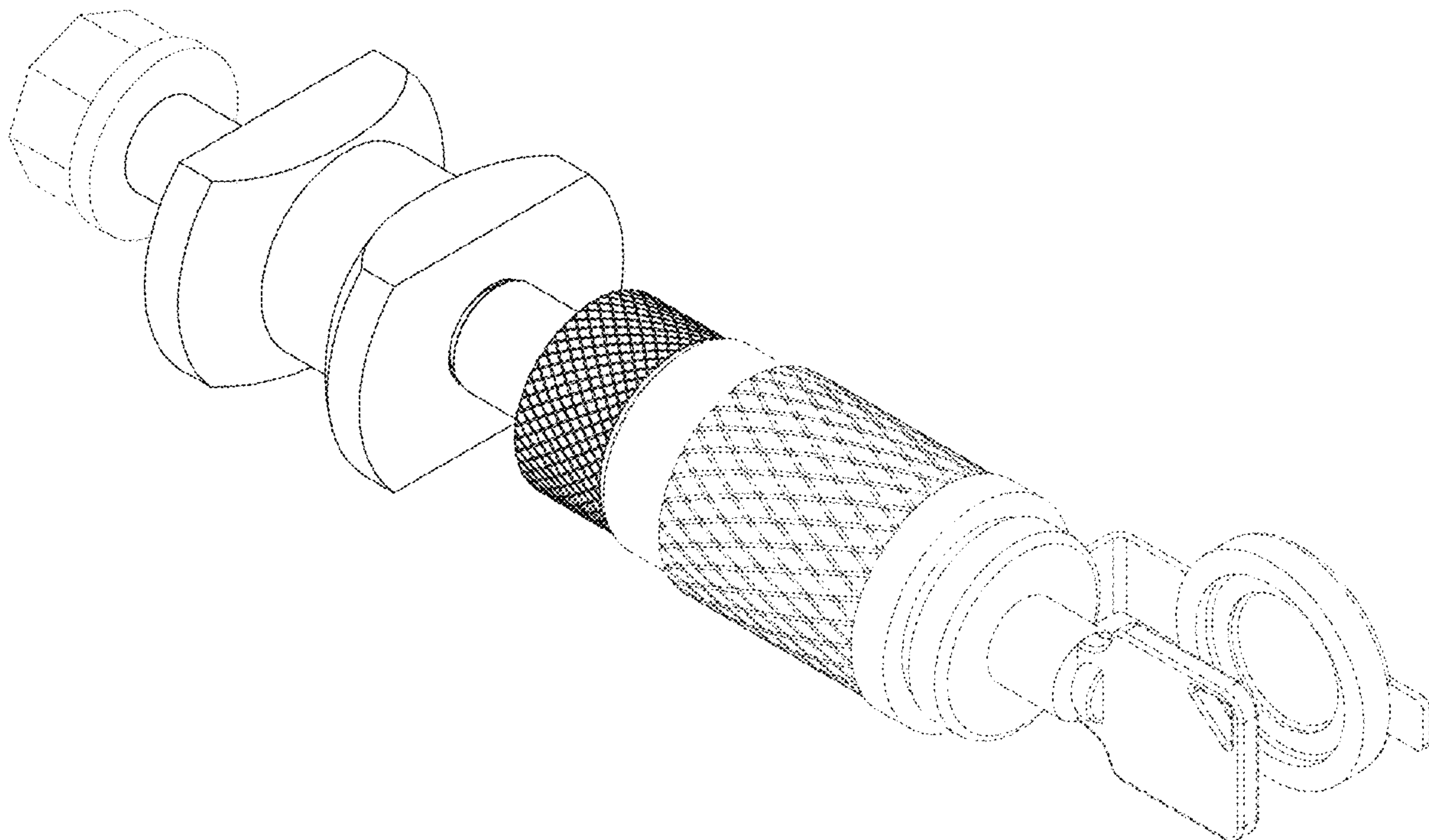
The ornamental design for a hitch pin lock, as shown and
described.

DESCRIPTION

FIG. 1 is a perspective view of the hitch pin lock;
FIG. 2 is a front view thereof;
FIG. 3 is a rear view thereof;
FIG. 4 is a left side view thereof;
FIG. 5 is a right side view thereof;
FIG. 6 is a top view thereof; and,
FIG. 7 is a bottom view thereof.

The broken lines in the drawings depict portions of the
article that form no part of the claimed design.

1 Claim, 7 Drawing Sheets



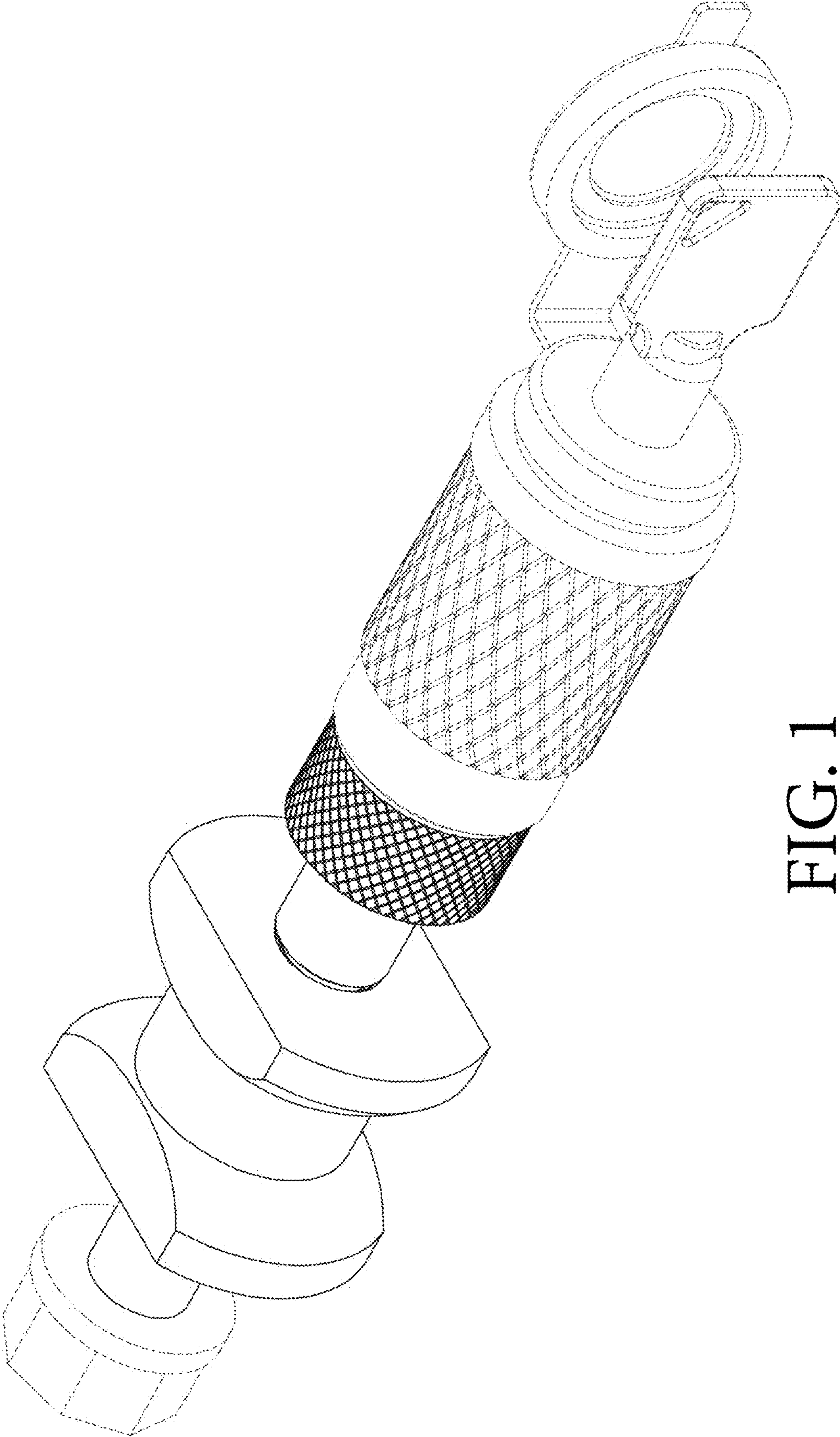


FIG. 1

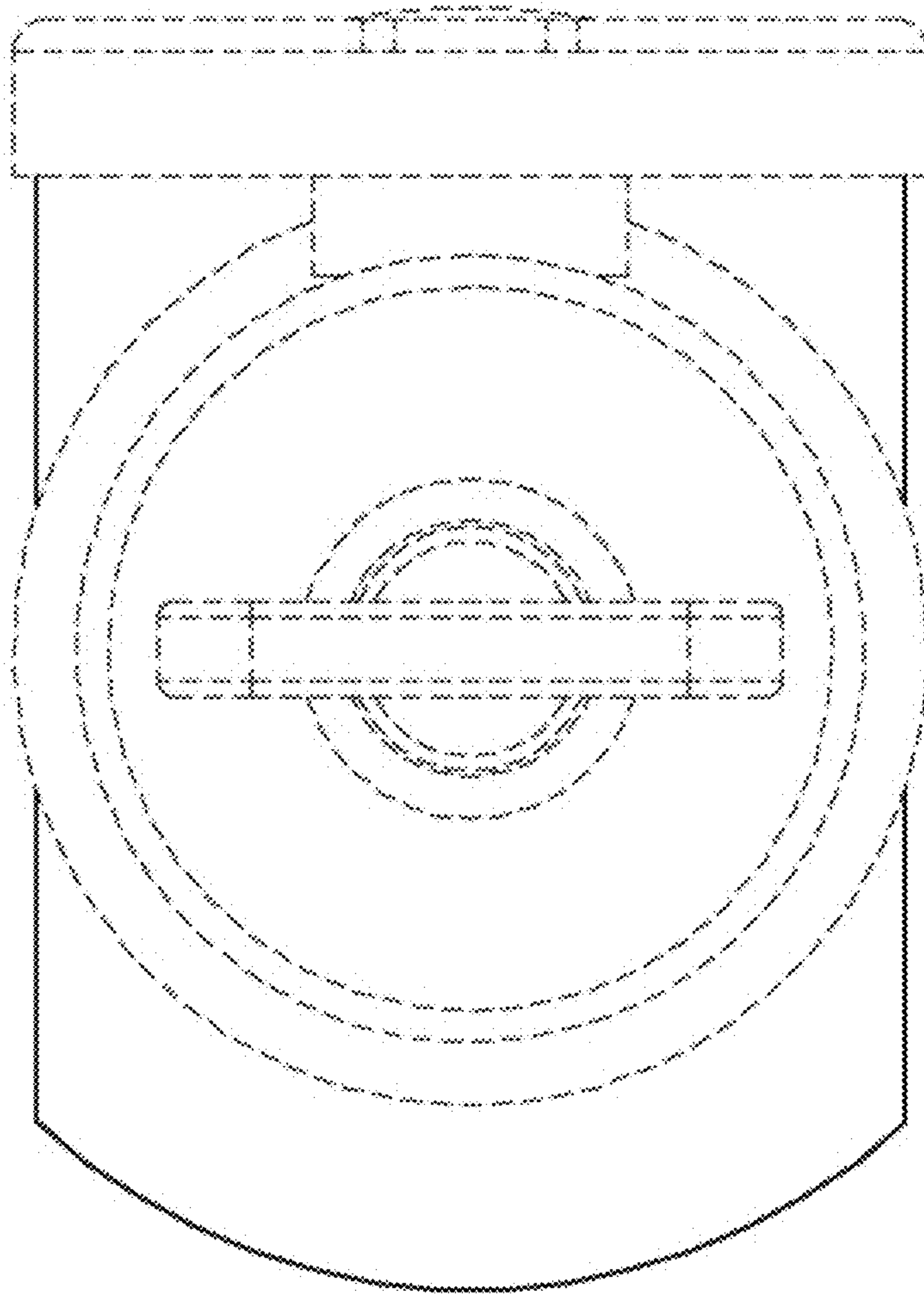


FIG. 2

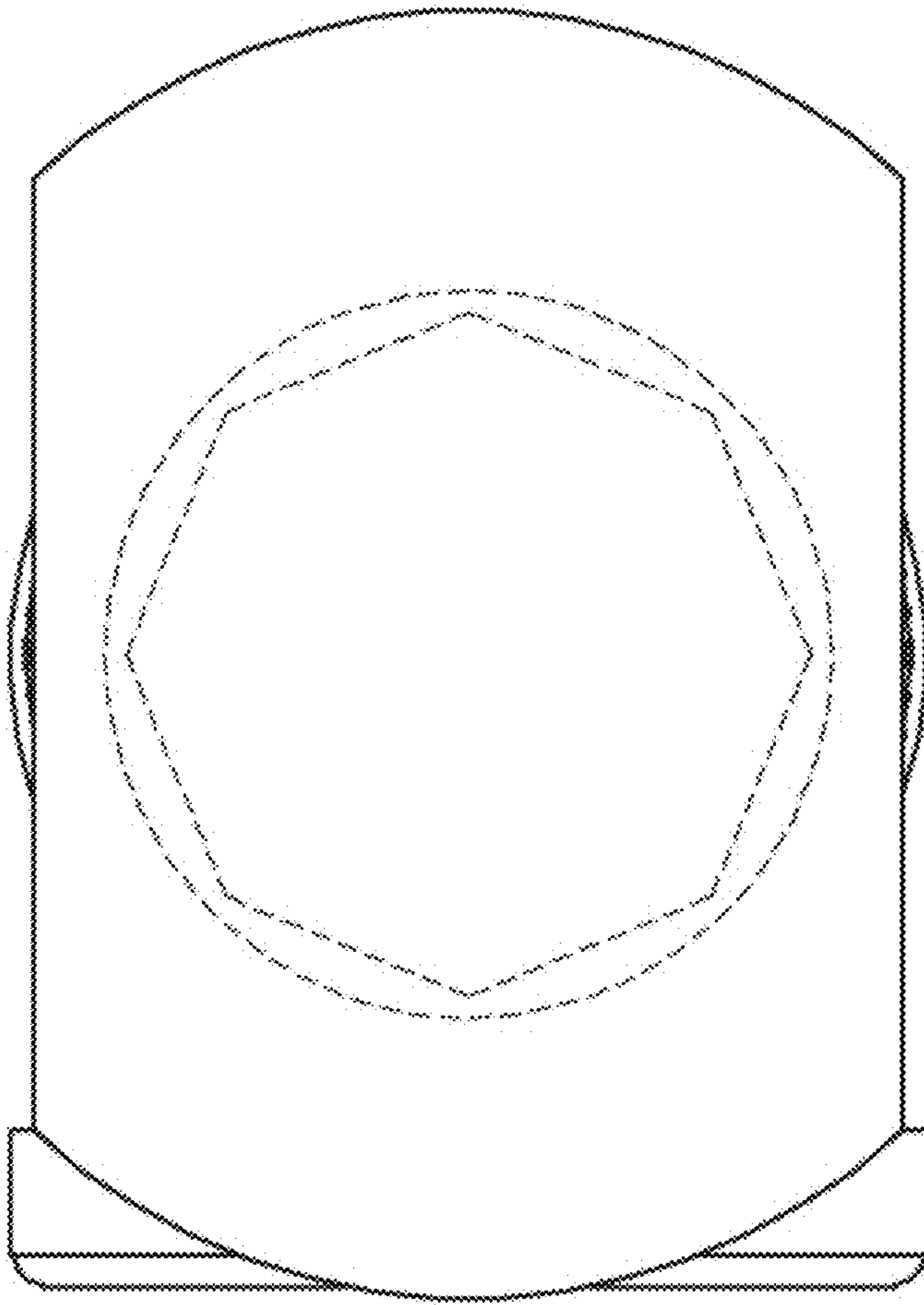


FIG. 3

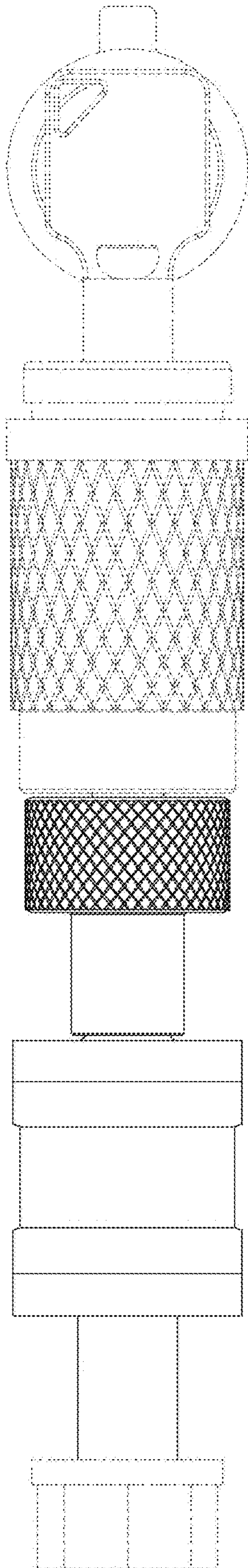


FIG. 4

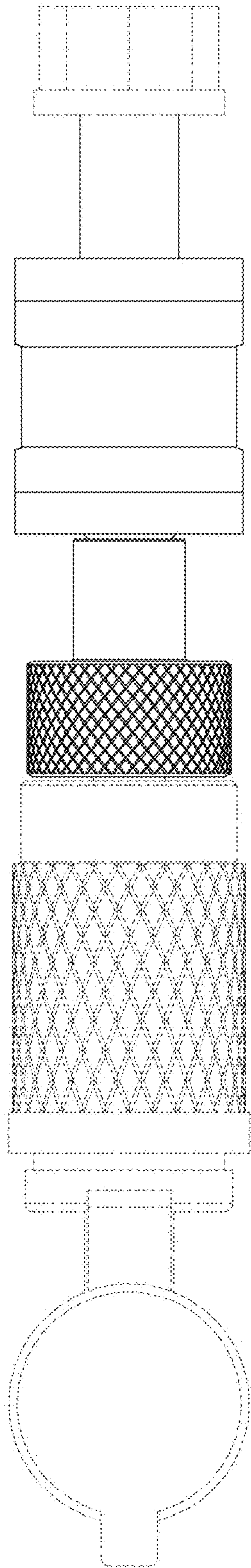


FIG. 5

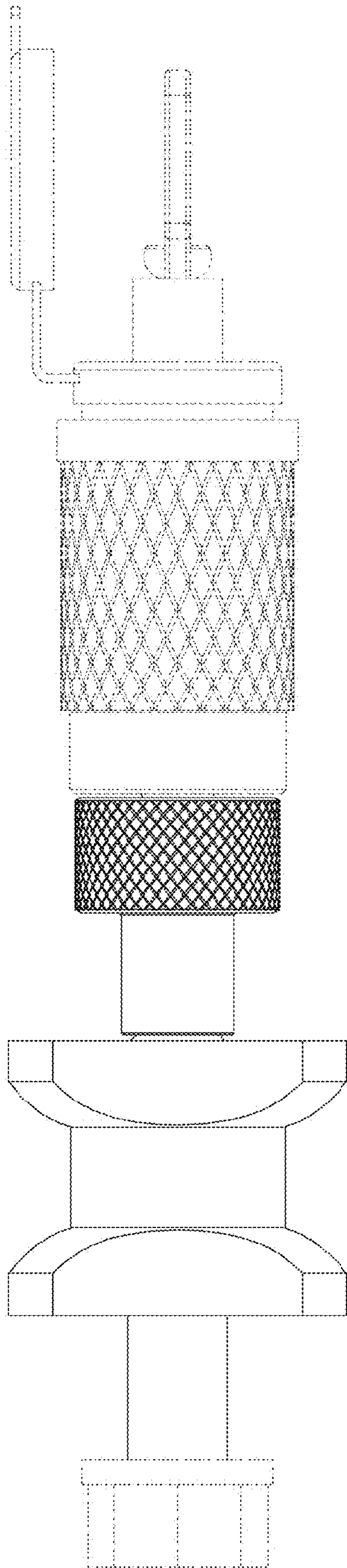


FIG. 6

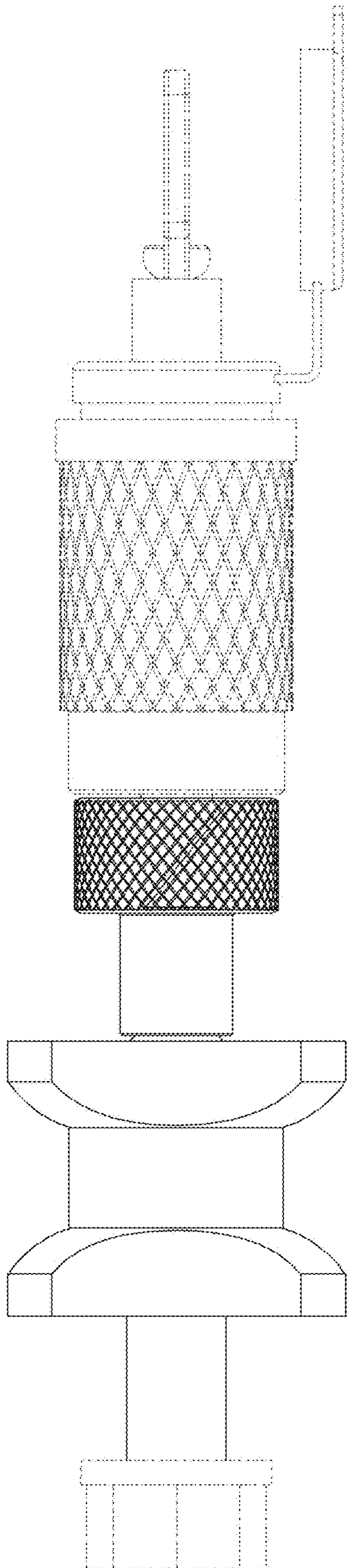


FIG. 7