



US00D949063S

(12) **United States Design Patent**
Schramski et al.

(10) **Patent No.:** **US D949,063 S**

(45) **Date of Patent:** **** Apr. 19, 2022**

(54) **TRAILER HITCH TOW PLUG AND CHAIN HOLDER**

(71) Applicant: **B&B MOLDERS, LLC**, Mishawaka, IN (US)

(72) Inventors: **Adam Schramski**, Granger, IN (US);
Brad Murphey, Osceola, IN (US);
John E. Harris, Goshen, IN (US);
Brian Shinabarger, Elkhart, IN (US)

(73) Assignee: **B&B Molders, LLC**, Mishawaka, IN (US)

(**) Term: **15 Years**

(21) Appl. No.: **29/751,082**

(22) Filed: **Sep. 18, 2020**

(51) **LOC (13) Cl.** **12-16**

(52) **U.S. Cl.**

USPC **D12/162**

(58) **Field of Classification Search**

USPC D12/159-162

CPC . B60D 1/60; B60D 1/065; B60D 1/00; B60D 1/06; B60D 1/36; B62D 33/033

See application file for complete search history.

(56) **References Cited**

U.S. PATENT DOCUMENTS

D800,611 S * 10/2017 Ramirez, Jr. D12/162
D869,997 S * 12/2019 Borkholder D12/162

D873,723 S * 1/2020 Borkholder D12/162
D897,245 S * 9/2020 Borkholder D12/162
D898,628 S * 10/2020 Sagen D12/162
D904,237 S * 12/2020 Qiu D12/162
D906,187 S * 12/2020 Foeldesi D12/162
D914,552 S * 3/2021 Babar D12/162
D920,855 S * 6/2021 Wiczorek D12/162
D925,408 S * 7/2021 Li D12/162
D926,088 S * 7/2021 Hart D12/162
D929,912 S * 9/2021 Lu D12/162
D935,952 S * 11/2021 Minetto D12/162

* cited by examiner

Primary Examiner — Katrina A Betton

(74) *Attorney, Agent, or Firm* — Harness, Dickey & Pierce, P.L.C.; Stephen T. Olson

(57) **CLAIM**

The ornamental design for a trailer hitch tow plug and chain holder, as shown and described.

DESCRIPTION

FIG. 1 is a perspective view of a trailer hitch tow plug and chain holder in accordance with our design.

FIG. 2 is a front view thereof.

FIG. 3 is a rear view thereof.

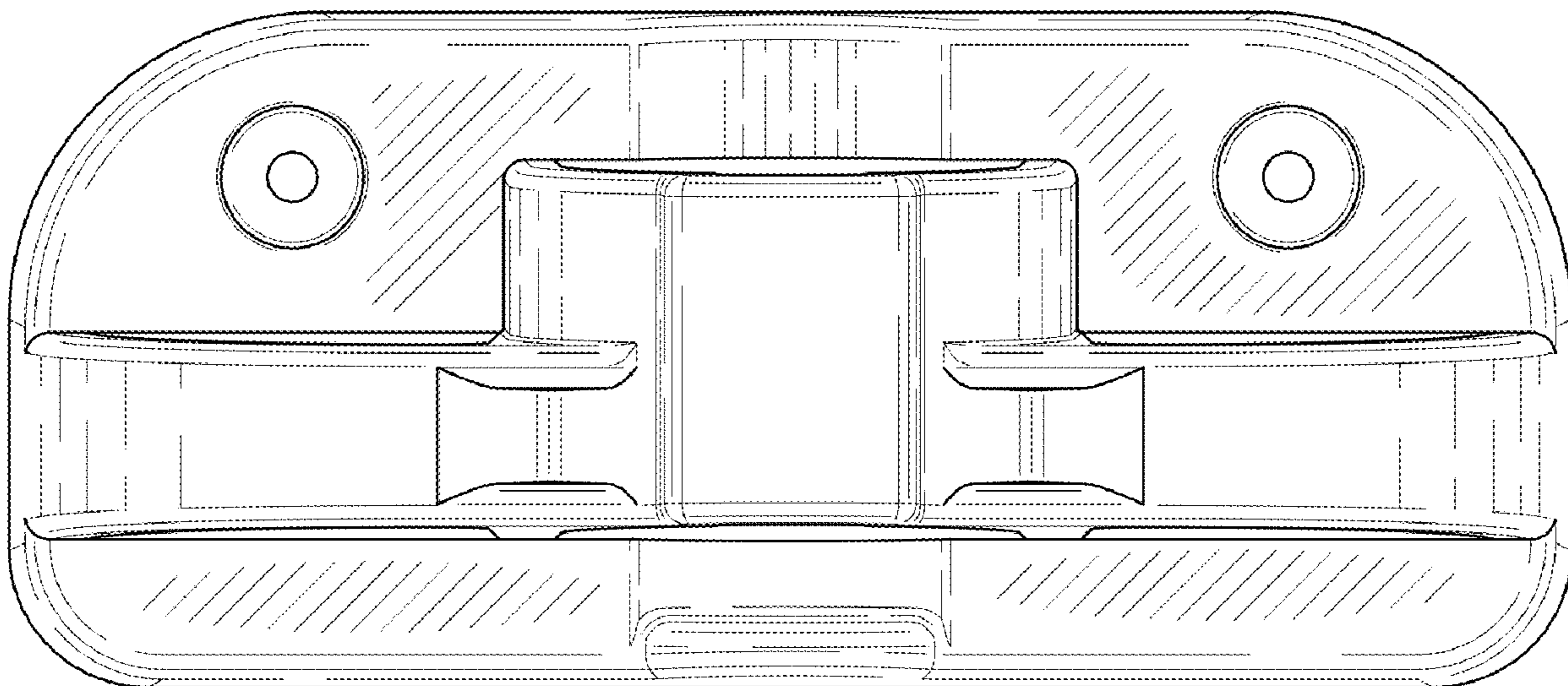
FIG. 4 is a left side view thereof.

FIG. 5 is a right side view thereof.

FIG. 6 is a top view thereof; and,

FIG. 7 is a bottom view thereof.

1 Claim, 4 Drawing Sheets



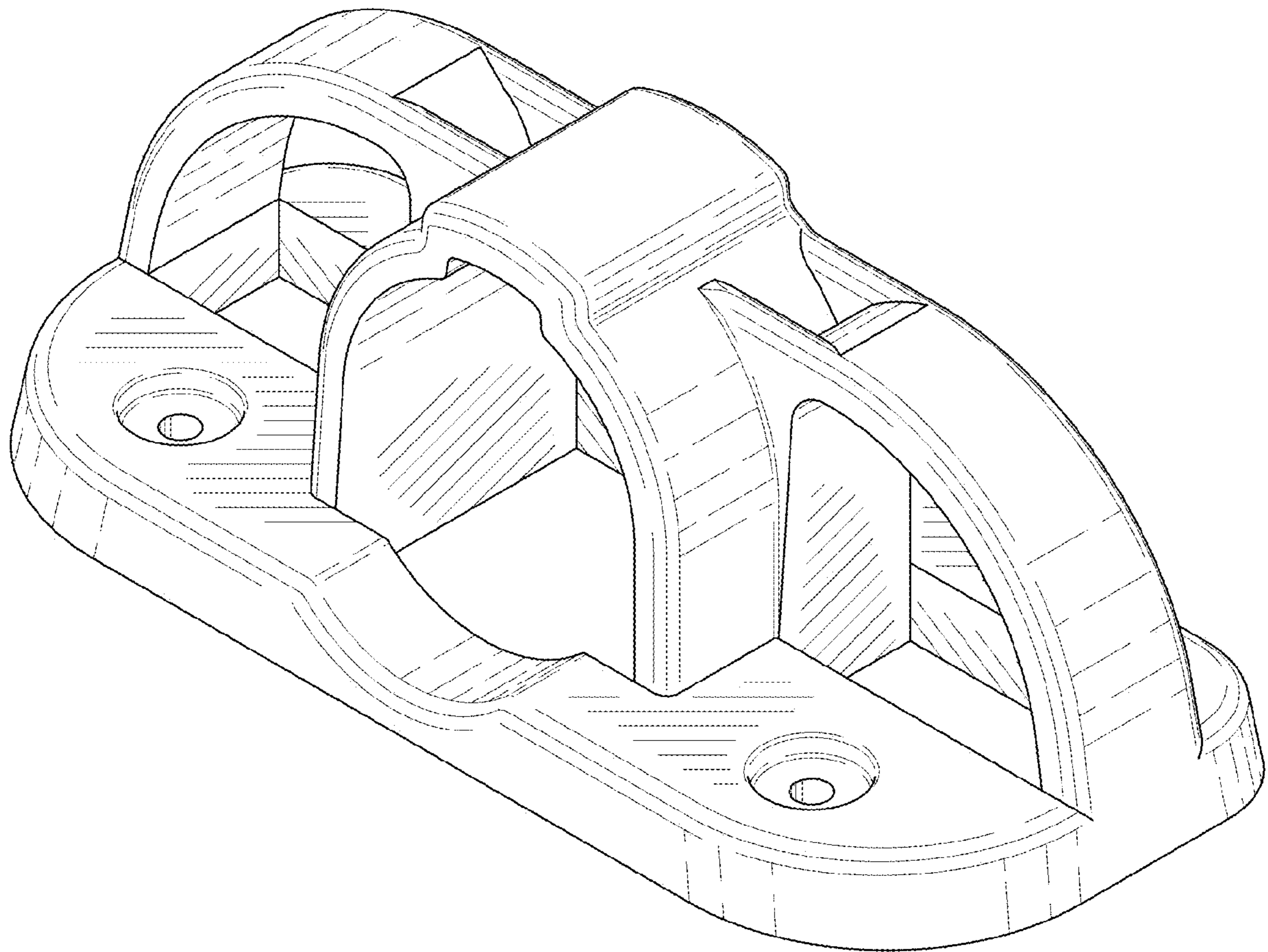


FIG. 1

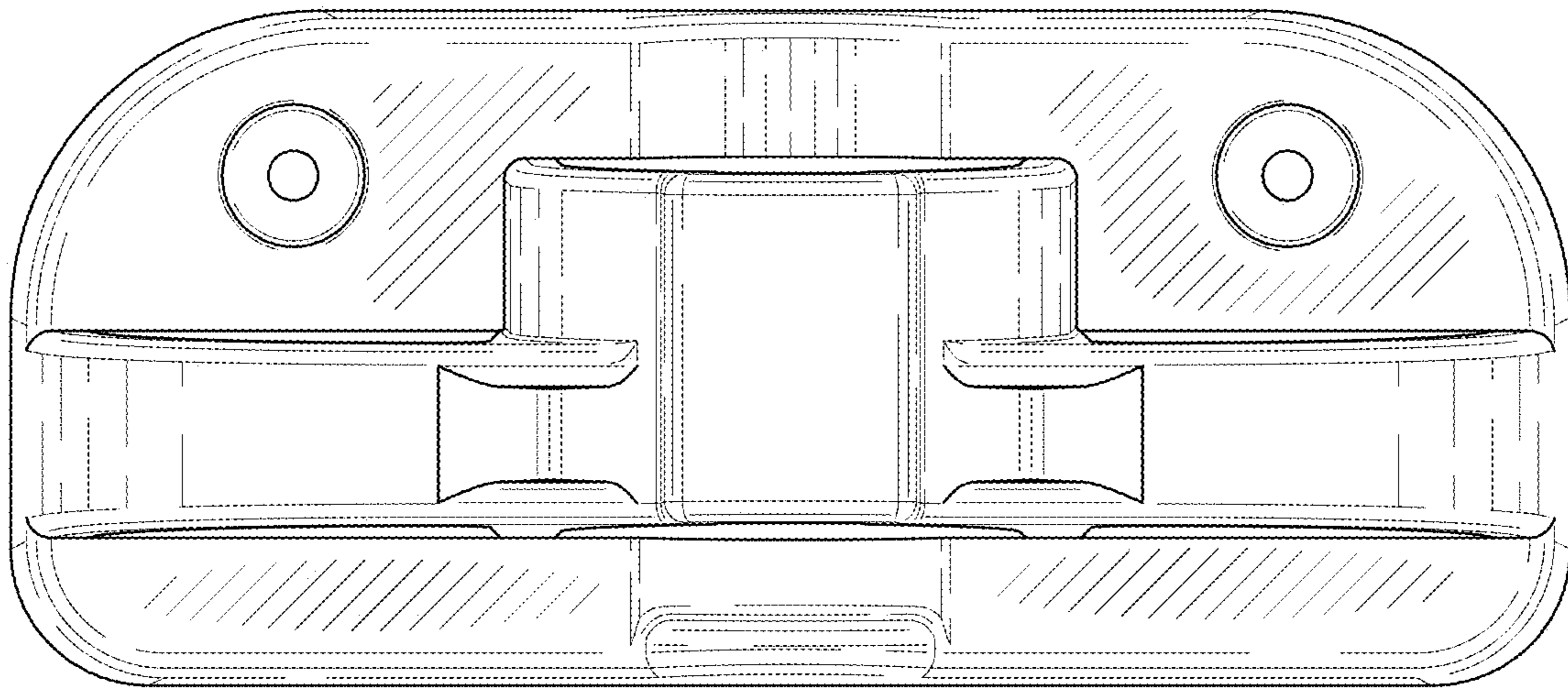


FIG. 2

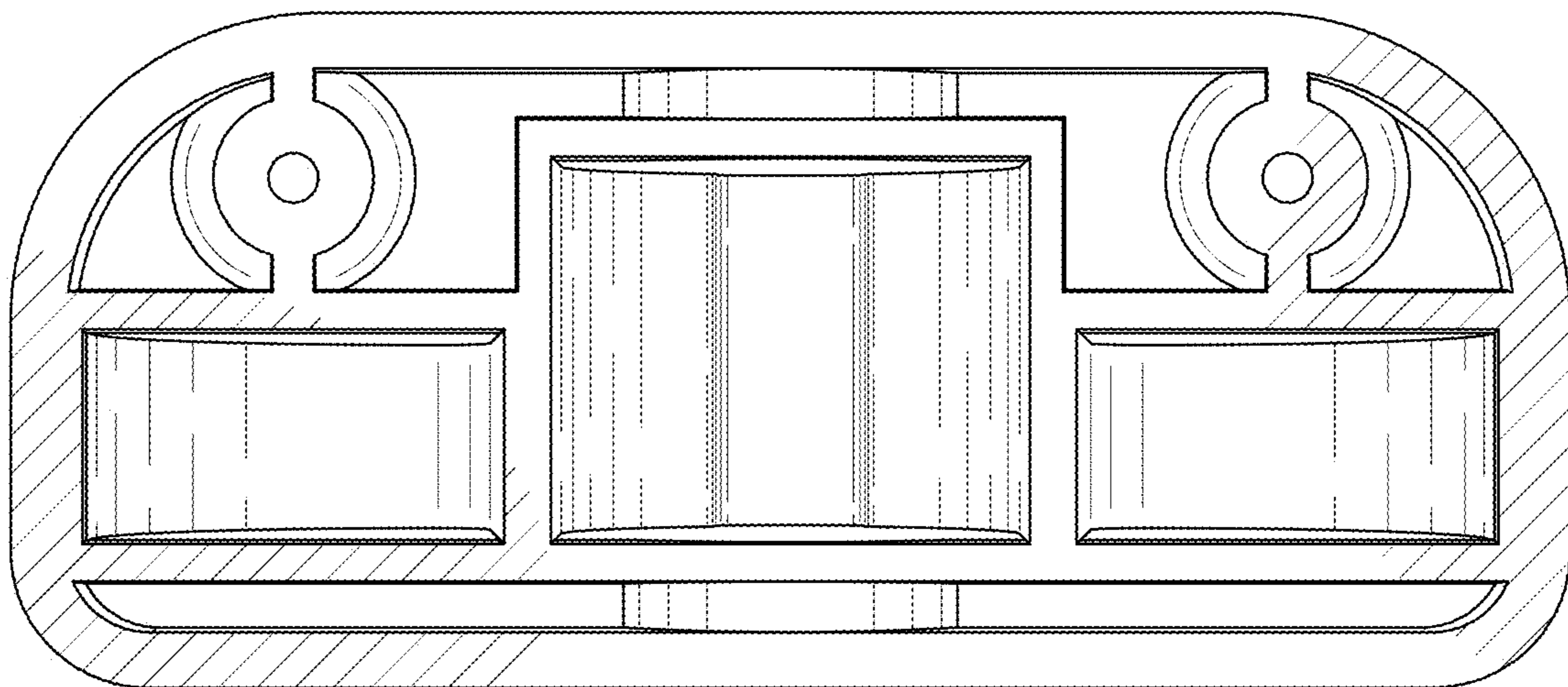


FIG. 3

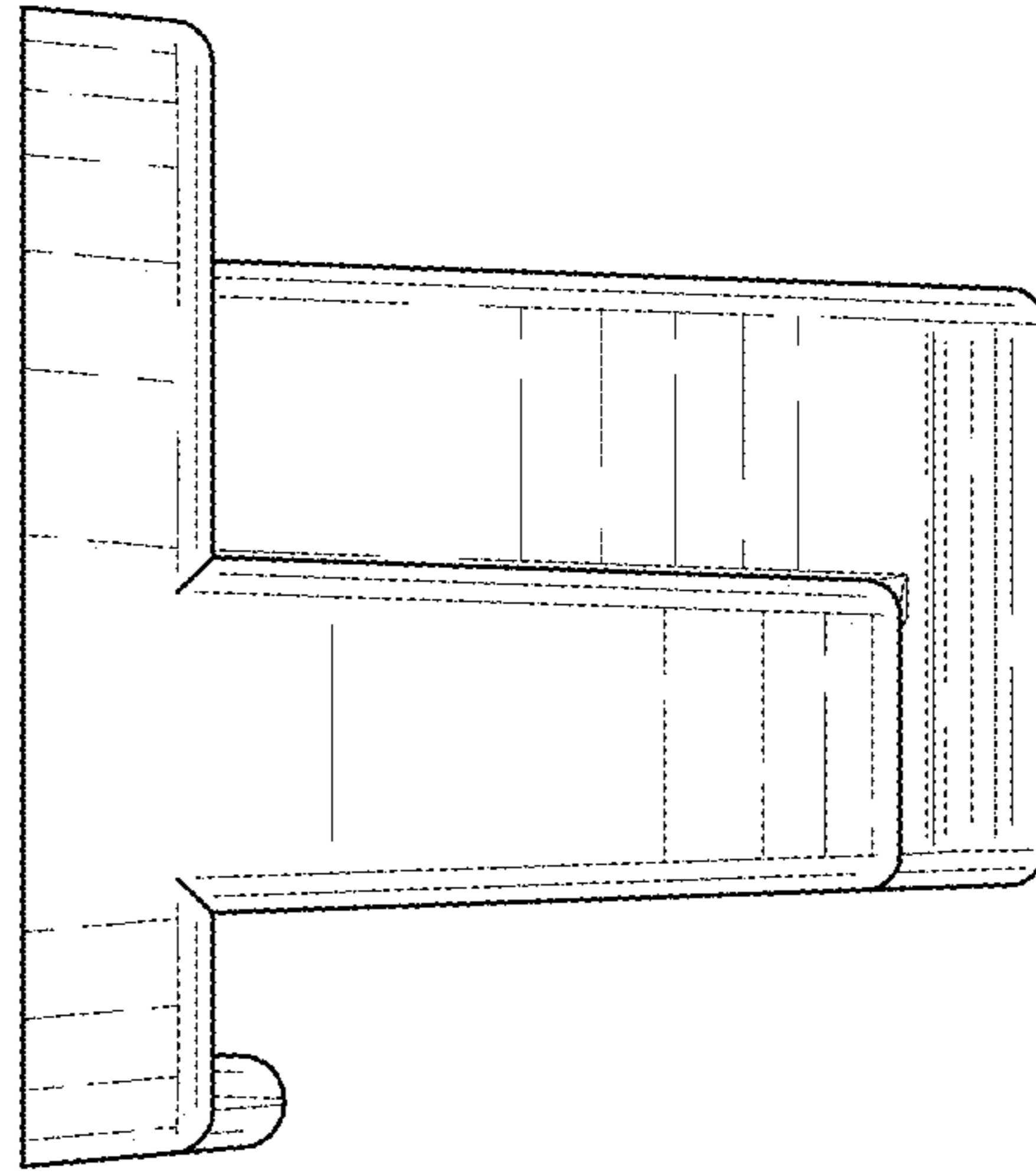


FIG. 4

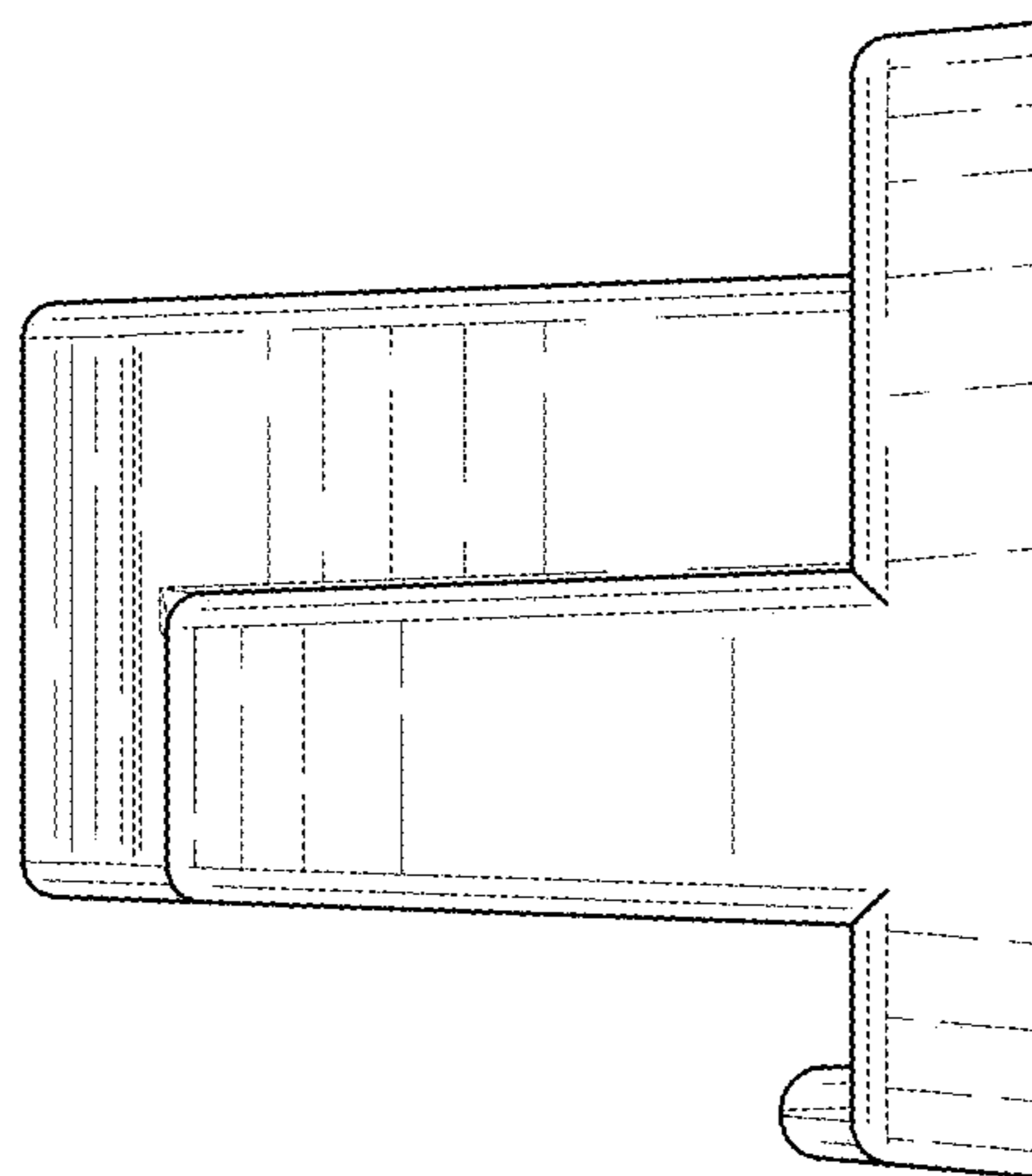


FIG. 5

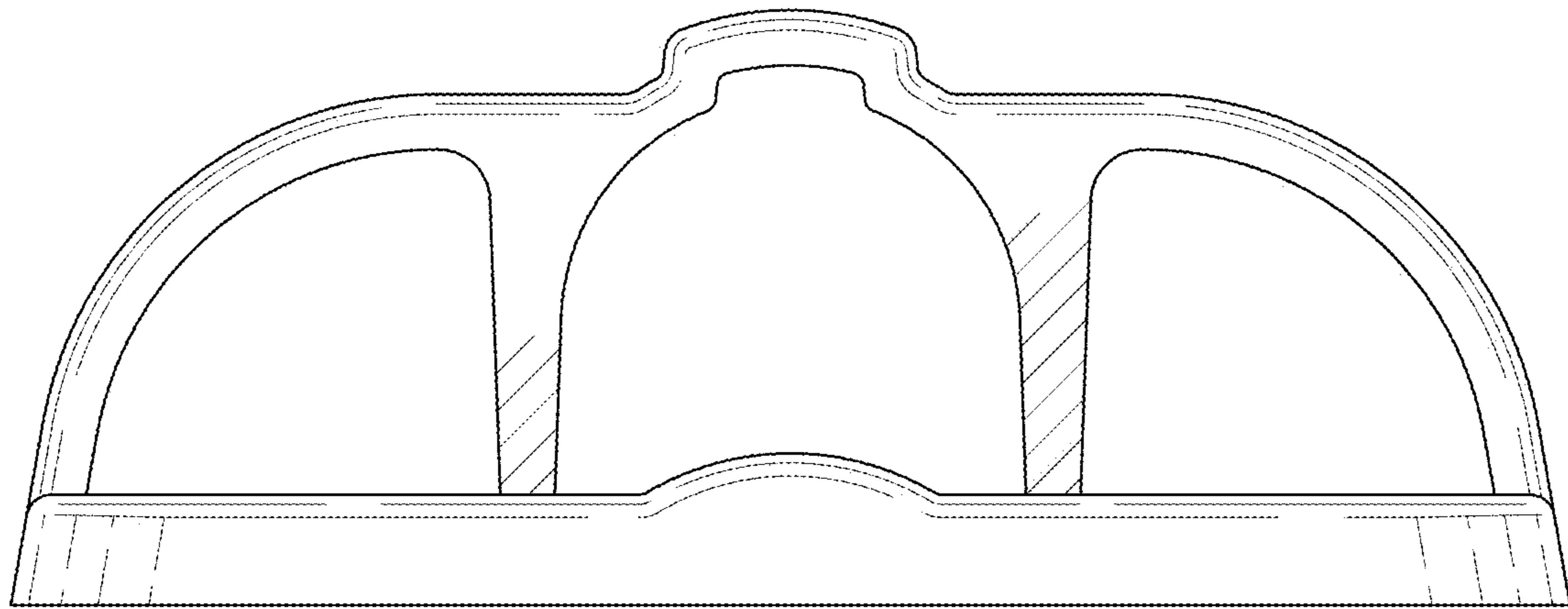


FIG. 6

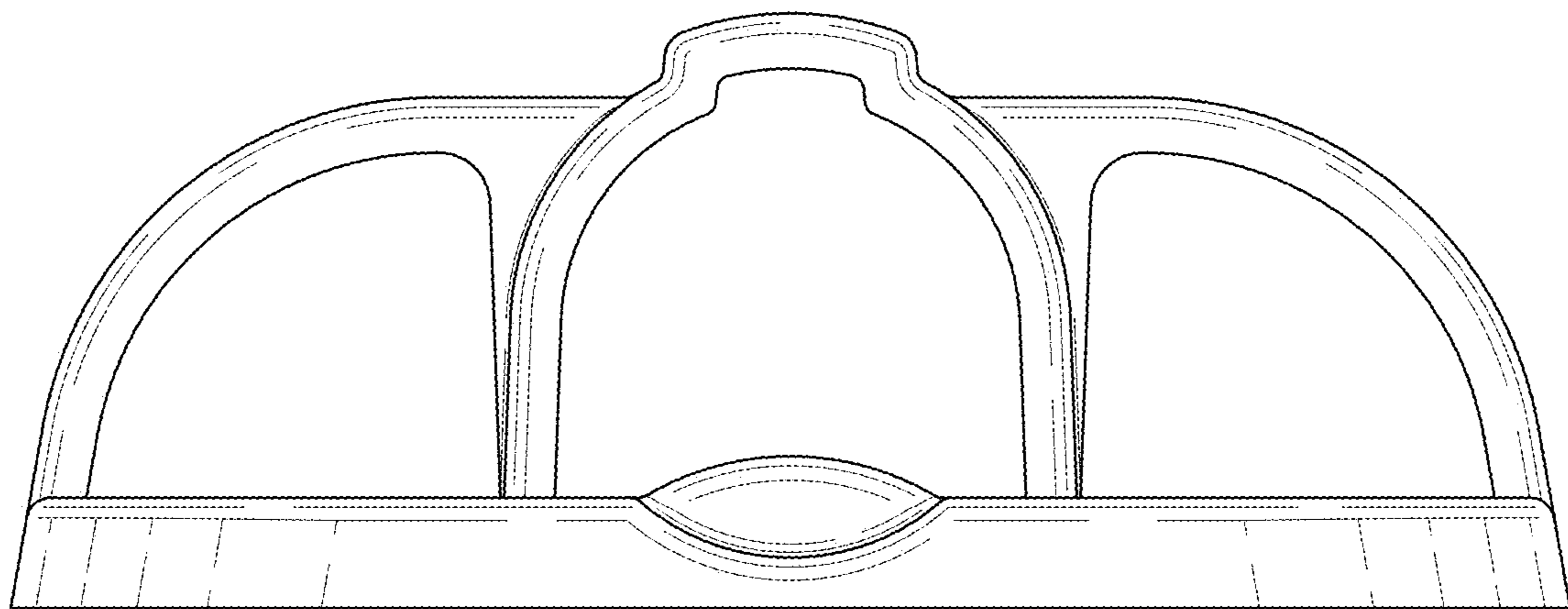


FIG. 7