



US00D949056S

(12) **United States Design Patent**  
**Hu et al.**

(10) **Patent No.:** **US D949,056 S**  
(45) **Date of Patent:** **\*\* Apr. 19, 2022**

- (54) **ELECTRIC BICYCLE**
- (71) Applicant: **Beijing Niu Information Technology Co., Ltd., Beijing (CN)**
- (72) Inventors: **Yilin Hu, Beijing (CN); Chuankai Liu, Beijing (CN); Hao Yu, Beijing (CN)**
- (73) Assignee: **Beijing Niu Information Technology Co., Ltd., Beijing (CN)**

- D406,253 S \* 3/1999 Yamashita ..... D12/110
- 5,924,511 A 7/1999 Takata
- D414,721 S 10/1999 Nakamura
- D441,323 S \* 5/2001 Cheng ..... D12/111
- D465,437 S 11/2002 van der Voor
- D470,438 S \* 2/2003 Tateishi ..... D12/110
- D498,438 S 11/2004 Ying
- D537,756 S 3/2007 Kitayama
- D538,714 S \* 3/2007 Okuyama ..... D12/110
- D543,903 S \* 6/2007 Kashima ..... D12/110
- D578,042 S \* 10/2008 Yang ..... D12/111

(Continued)

(\*\*) Term: **15 Years**

(21) Appl. No.: **29/712,477**

(22) Filed: **Nov. 8, 2019**

(30) **Foreign Application Priority Data**

May 8, 2019 (CN) ..... 201930221780.6

(51) **LOC (13) Cl.** ..... **12-11**

(52) **U.S. Cl.**  
USPC ..... **D12/111**

(58) **Field of Classification Search**  
USPC ..... D12/107, 110, 111, 117; D21/412, 414,  
D21/419, 423-428  
CPC . B62K 3/00; B62K 3/005; B62K 9/00; B62K  
19/00; B62K 19/02; B62K 19/04; B62K  
19/06; B62K 19/16

See application file for complete search history.

(56) **References Cited**

**U.S. PATENT DOCUMENTS**

- 2,495,859 A 1/1950 Mennesson
- D253,102 S \* 10/1979 Hahn ..... D12/110
- D273,100 S \* 3/1984 Ziegler ..... D12/111
- D302,801 S \* 8/1989 Lacroix ..... D12/110
- D386,723 S 11/1997 Fujieda
- D396,670 S 8/1998 Wasserhess
- D401,534 S 11/1998 Higashihara
- D402,925 S 12/1998 Kino

**OTHER PUBLICATIONS**

“Segway eMoped C80” Segway., posted date Sep. 10, 2019 [online], [retrieved on Mar. 10, 2021]. Retrieved from the Internet <URL: <https://store.segway.com/segway-emoped-c80>> (Year: 2019).\*

(Continued)

*Primary Examiner* — Darlington Ly  
*Assistant Examiner* — Nasim Abdulaziz Ali  
(74) *Attorney, Agent, or Firm* — Andrus Intellectual Property Law, LLP

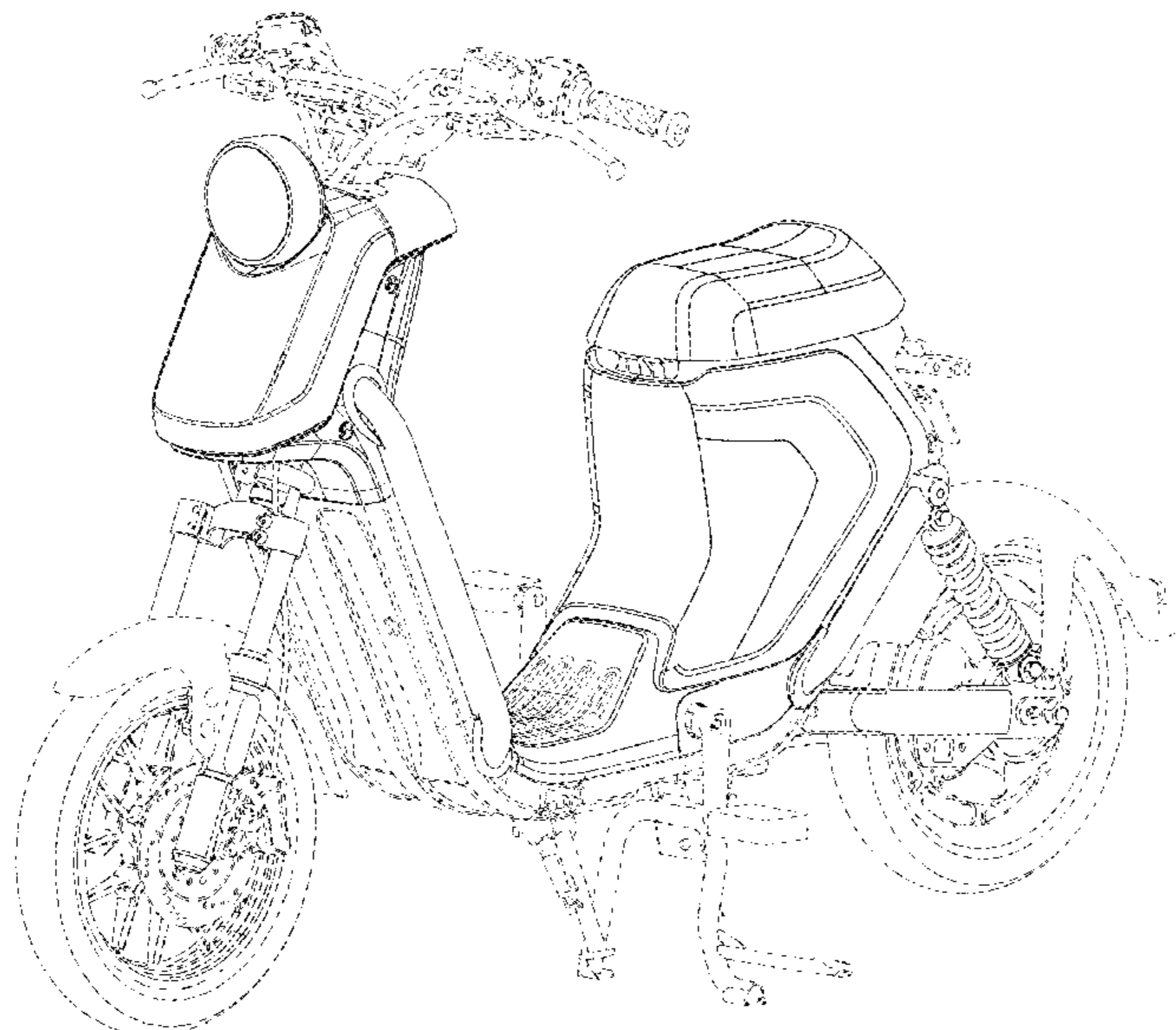
(57) **CLAIM**

The ornamental design for an electric bicycle, as shown and described.

**DESCRIPTION**

FIG. 1 is a left side elevation of an electric bicycle embodying our new design;  
FIG. 2 is a right side elevation view thereof;  
FIG. 3 is a front elevation view thereof;  
FIG. 4 is a rear elevation view thereof;  
FIG. 5 is a top plan view thereof;  
FIG. 6 is a bottom plan view thereof; and,  
FIG. 7 is a front and left side perspective view thereof.  
The broken lines shown in the figures depict portions of the electric bicycle that form no part of the claimed design.

**1 Claim, 7 Drawing Sheets**



(56)

References Cited

U.S. PATENT DOCUMENTS

D629,721 S 12/2010 Takeno  
 D644,961 S \* 9/2011 Watanabe ..... D12/110  
 D662,860 S \* 7/2012 Devernay ..... D12/110  
 D670,205 S 11/2012 Takakuwa  
 D678,128 S \* 3/2013 Lambri ..... D12/110  
 D679,223 S \* 4/2013 Loasby ..... D12/110  
 8,505,668 B2 8/2013 Iwakami  
 D690,235 S 9/2013 Wu  
 8,738,212 B1 5/2014 Schieffelin  
 D727,214 S 4/2015 Yang  
 D730,778 S \* 6/2015 Harness ..... D12/111  
 D730,779 S \* 6/2015 Arbour ..... D12/111  
 D731,363 S 6/2015 Duncan  
 D742,791 S \* 11/2015 Sanderson ..... D12/110  
 D761,699 S \* 7/2016 Watanabe ..... D12/110  
 D774,971 S 12/2016 Lambri  
 D774,972 S 12/2016 Lambri  
 9,656,672 B2 5/2017 Schieffelin  
 D806,610 S \* 1/2018 Su ..... D12/110  
 D829,131 S 9/2018 Schieffelin

D833,333 S 11/2018 Yu  
 D838,212 S \* 1/2019 David ..... D12/110  
 D843,269 S 3/2019 Shi  
 D856,853 S \* 8/2019 Luke ..... D12/110  
 D874,984 S \* 2/2020 Luke ..... D12/110  
 D903,532 S 12/2020 Ma  
 D910,497 S \* 2/2021 Sun ..... D12/111  
 2016/0207589 A1 7/2016 Tsuchizawa

OTHER PUBLICATIONS

“NIU debuts new electric scooters” NIU., posted date Nov. 7, 2018 [online], [retrieved on Mar. 10, 2021]. Retrieved from the Internet <URL: <https://electrek.co/2018/11/07/niu-electric-scooters-umini/>> (Year: 2018).\*

“Xiaomi’s Cute Electric Moped” Xiamoi., posted date Mar. 30, 2020 [online], [retrieved on Mar. 10, 2021]. Retrieved from the Internet <URL: <https://www.zigwheels.com/news-features/news/xiaomi-a1-e-bike-unveiled-in-china-cheaper-than-oneplus-7/38034/>> (Year: 2020).\*

\* cited by examiner

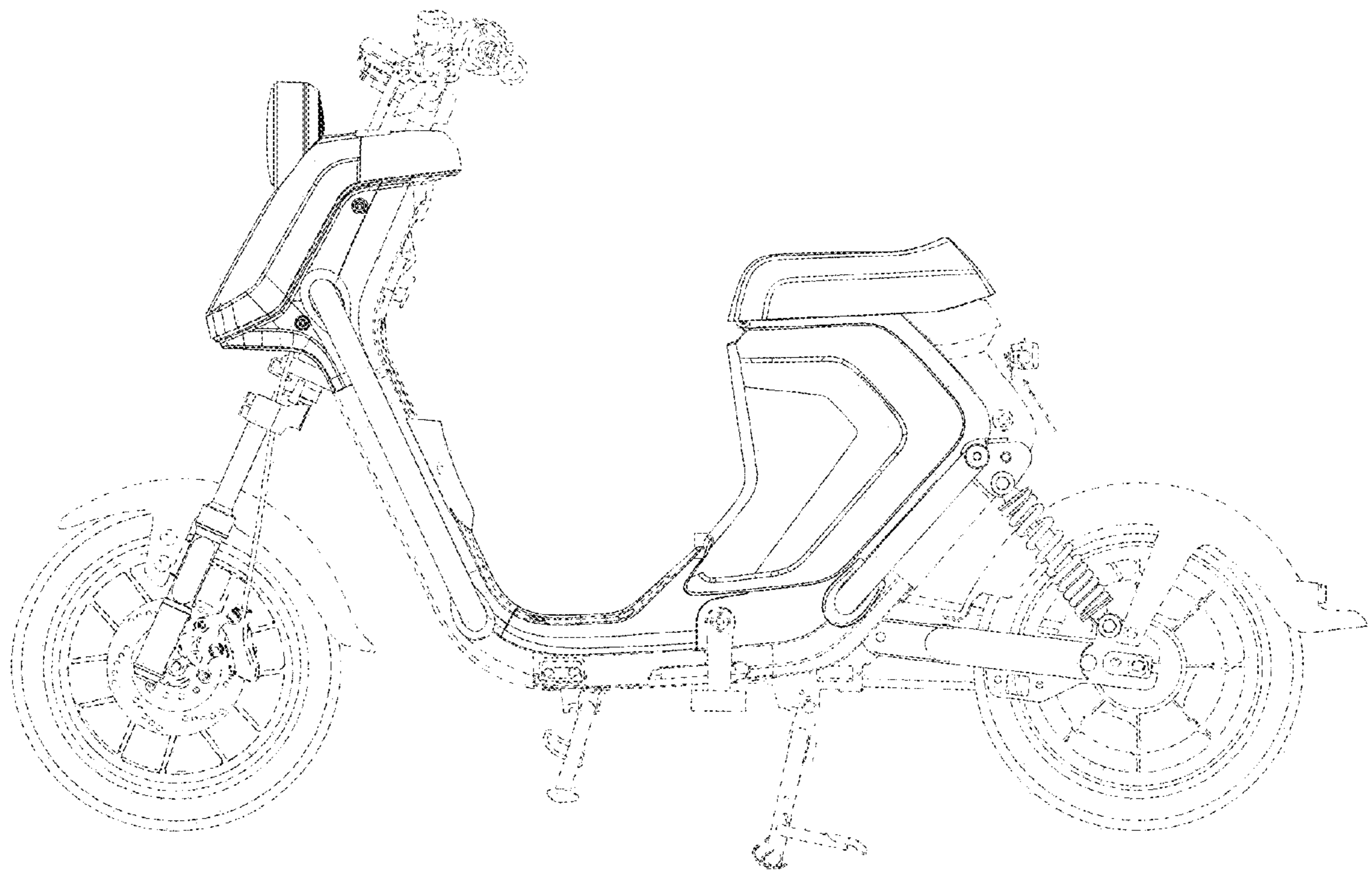


FIG. 1

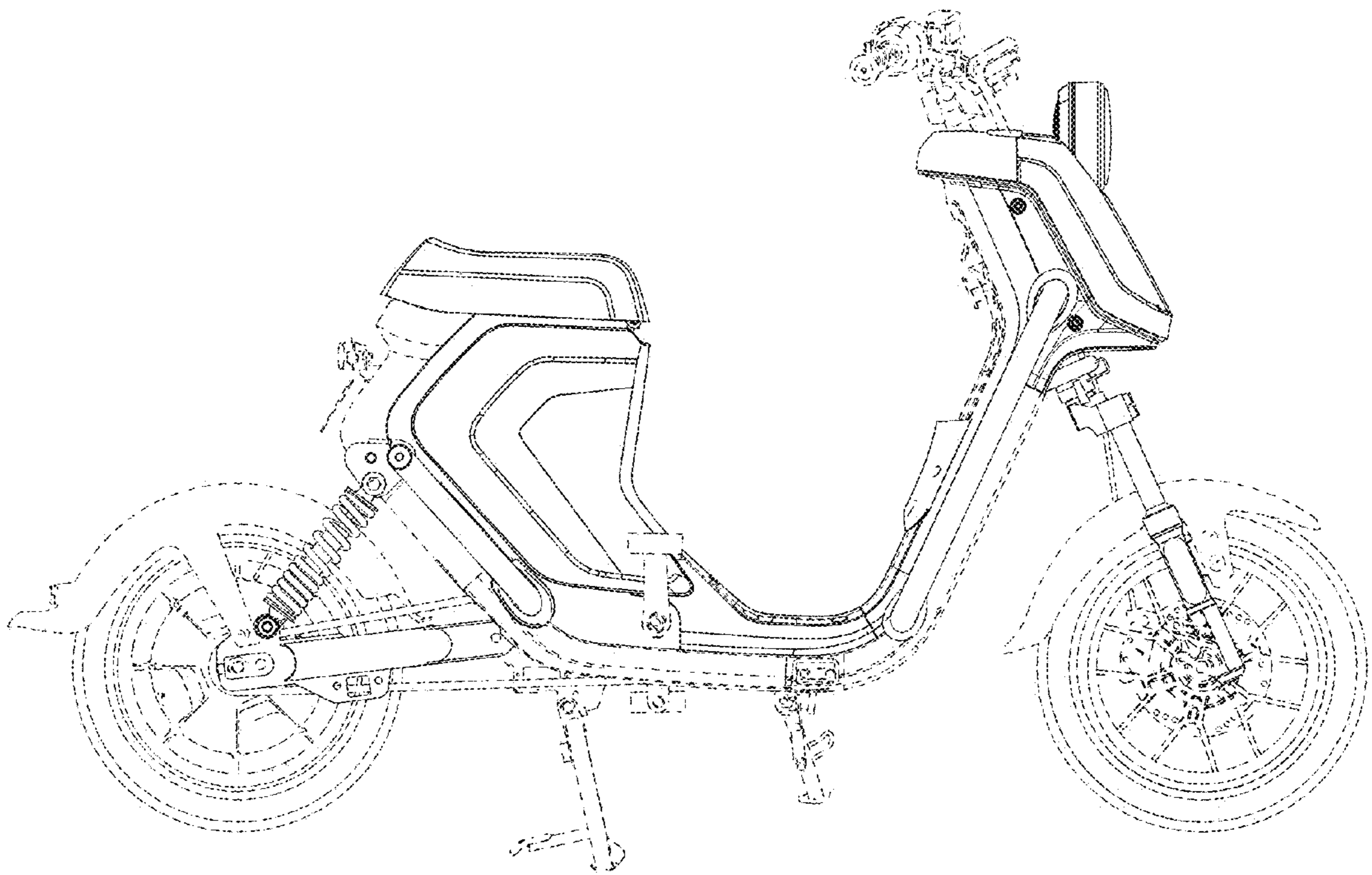


FIG. 2

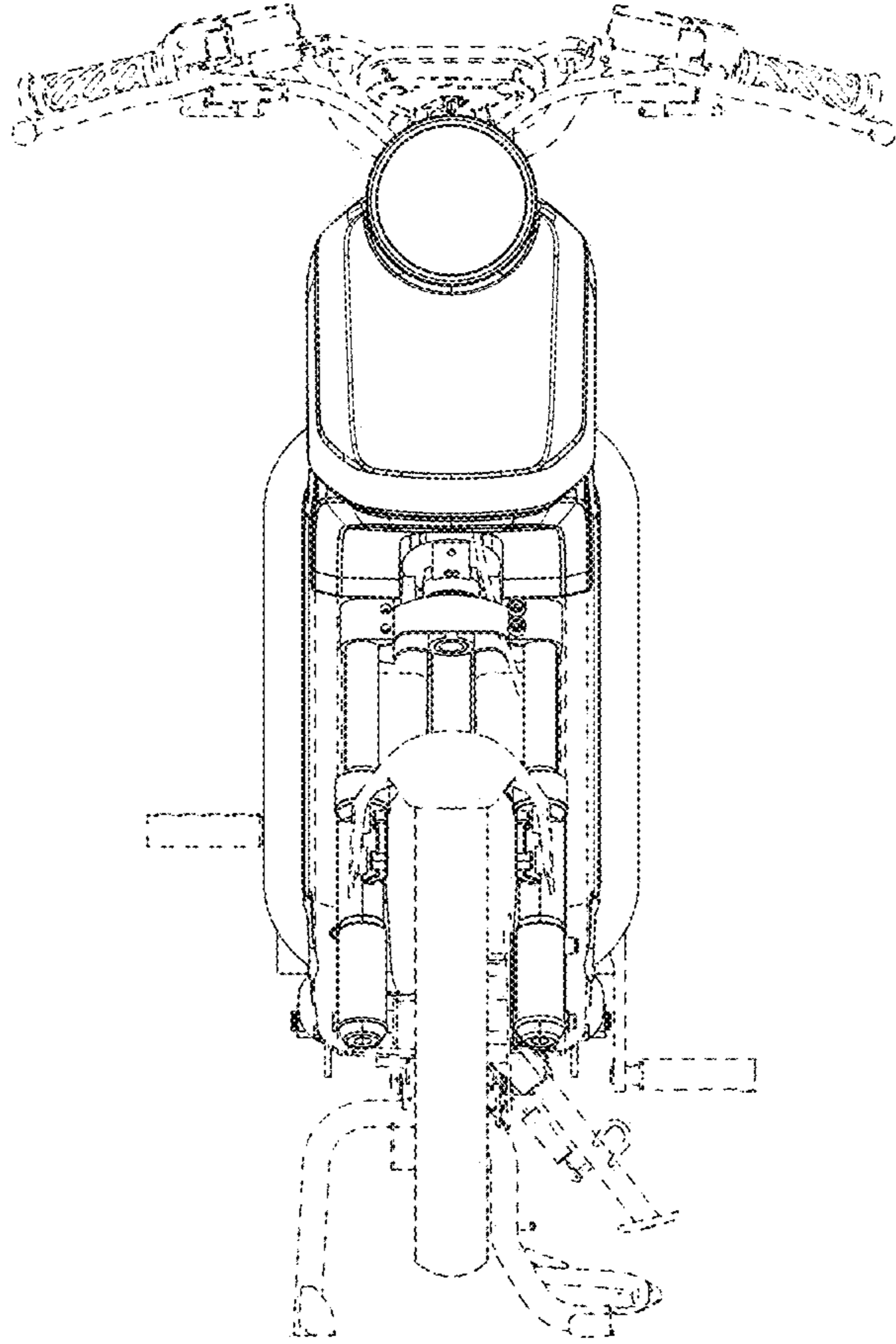


FIG. 3

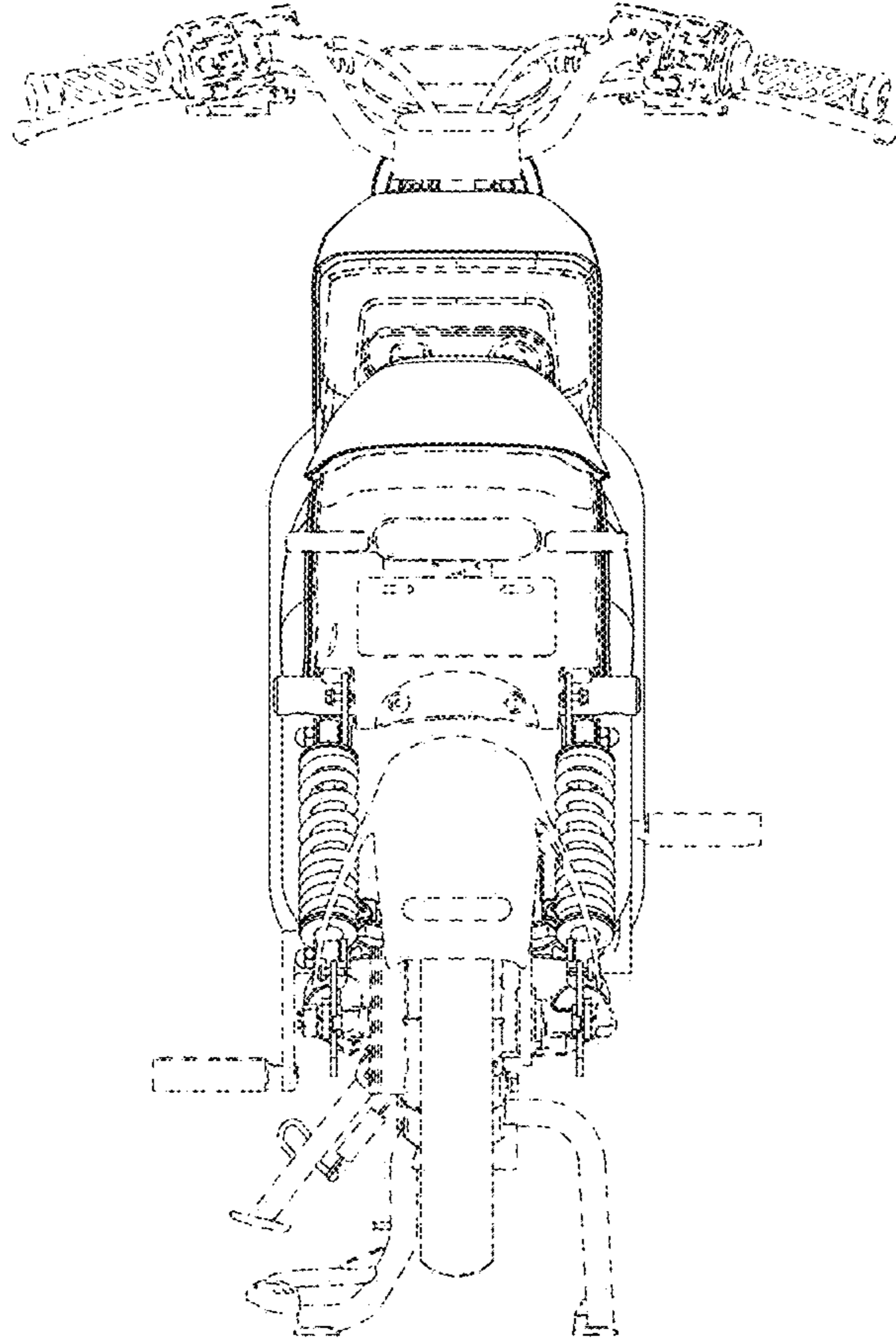


FIG. 4

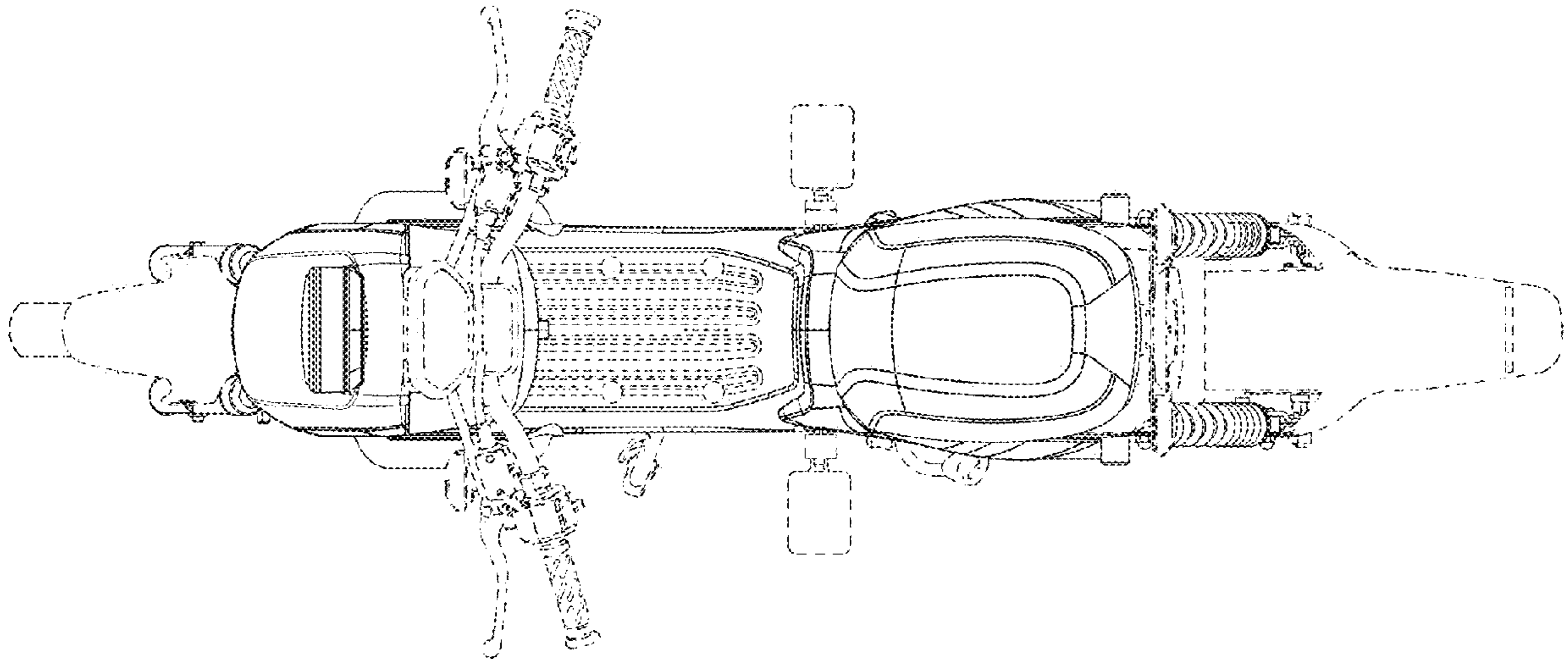


FIG. 5

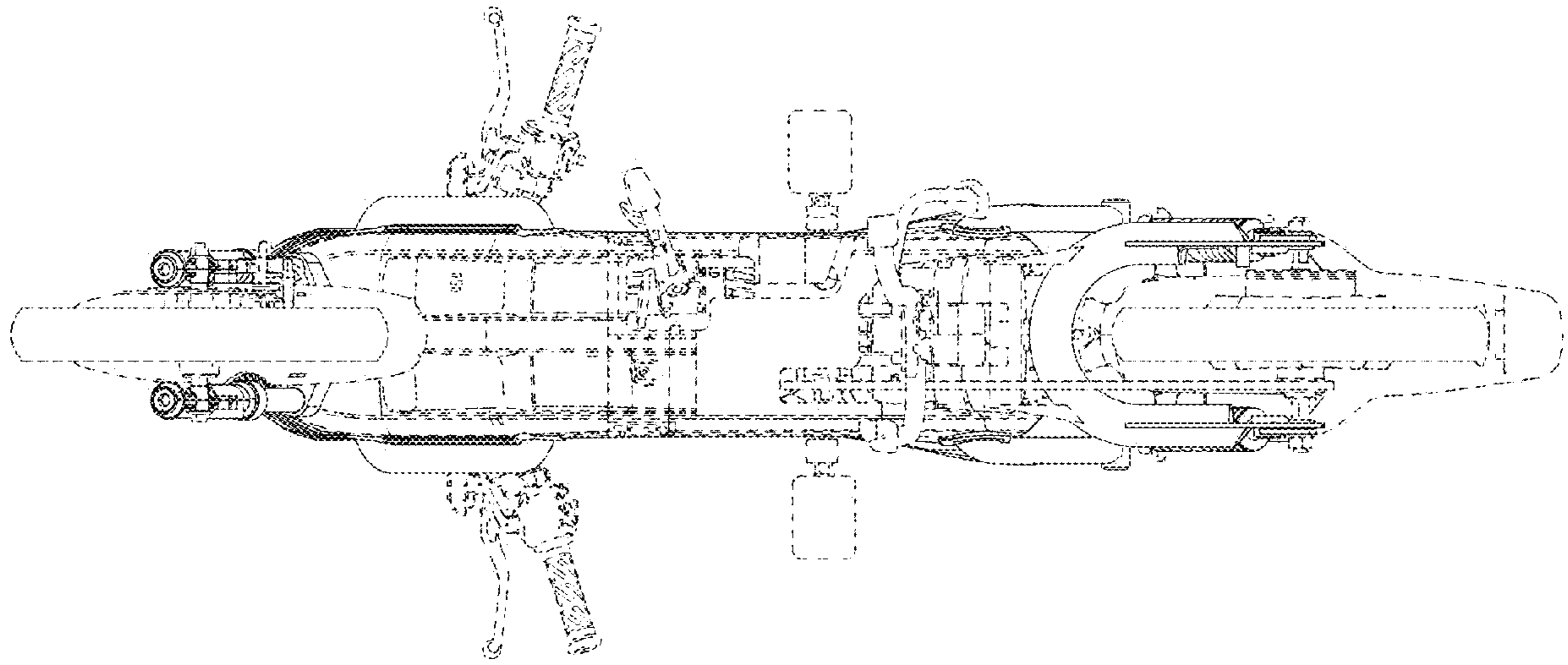


FIG. 6



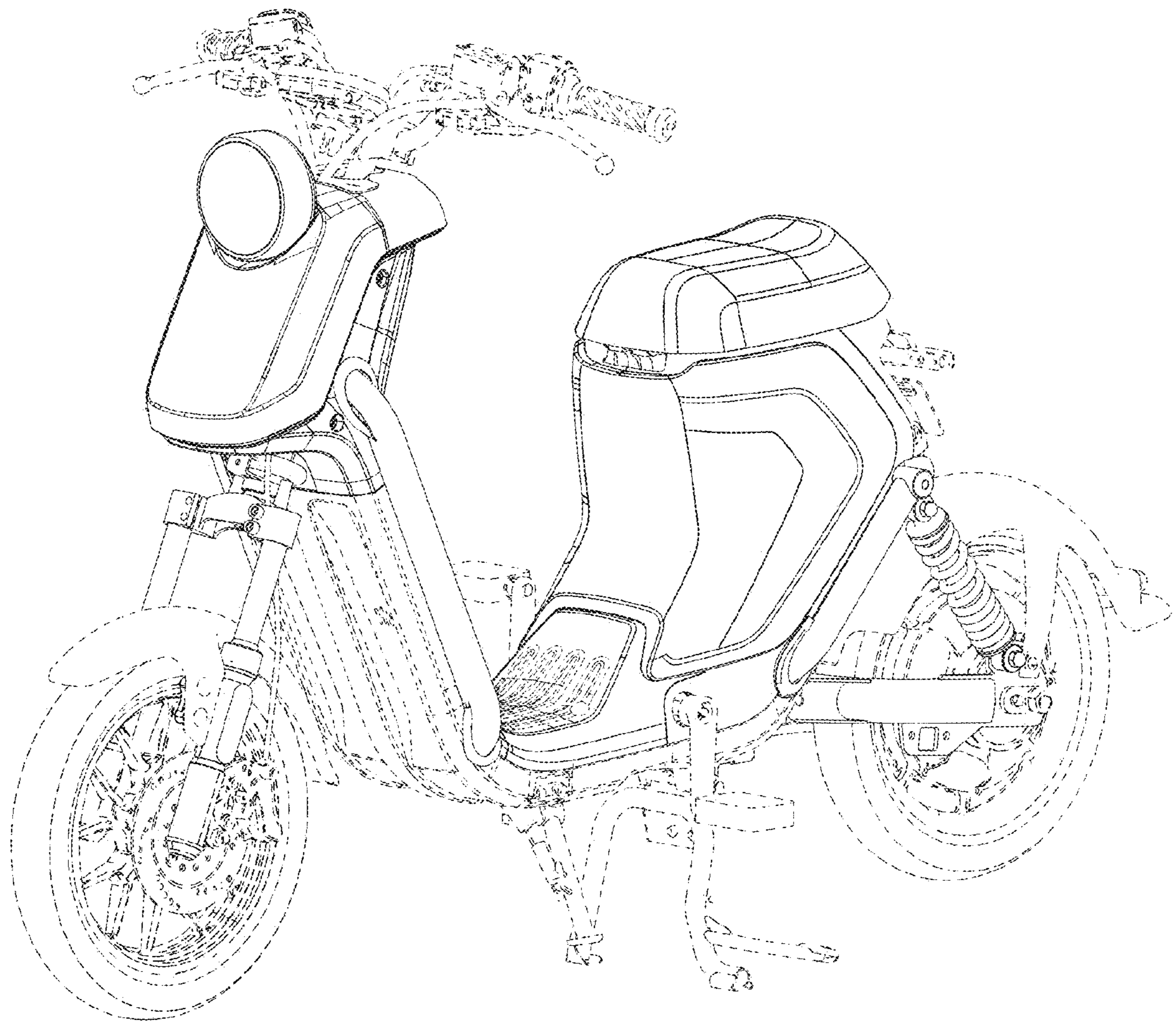


FIG. 7