



US00D949054S

(12) **United States Design Patent**
Cattell-Ford

(10) **Patent No.:** **US D949,054 S**

(45) **Date of Patent:** **** Apr. 19, 2022**

(54) **MOTOR VEHICLE, TOY VEHICLE REPLICA
AND/OR OTHER REPLICA**

(71) Applicant: **JAGUAR LAND ROVER LIMITED,**
Coventry (GB)

(72) Inventor: **Oliver Cattell-Ford,** Coventry (GB)

(73) Assignee: **JAGUAR LAND ROVER LIMITED,**
Coventry (GB)

(**) Term: **15 Years**

(21) Appl. No.: **29/732,531**

(22) Filed: **Apr. 24, 2020**

(30) **Foreign Application Priority Data**

Oct. 24, 2019 (EM) 007082375-0002

(51) **LOC (13) Cl.** **12-08**

(52) **U.S. Cl.**
USPC **D12/88**

(58) **Field of Classification Search**
USPC D12/86, 90-92, 164; D21/433, 434,
D21/531-535; 296/181.1-181.5, 183.1
CPC B62D 25/00; B62D 25/06; B62D 33/00;
B62D 35/00
See application file for complete search history.

(56) **References Cited**

U.S. PATENT DOCUMENTS

D703,103 S * 4/2014 Lee D12/92
D776,011 S * 1/2017 La Vecchia D12/92

D781,748 S * 3/2017 Manzoni D12/88
D802,479 S * 11/2017 Sakaue D12/91
D860,860 S * 9/2019 Rusak D12/88
D864,789 S * 10/2019 Lee D12/92
D865,563 S * 11/2019 Matsumoto D12/88
D874,977 S * 2/2020 Bischoff D12/88
D886,680 S * 6/2020 Kohl D12/92
D902,080 S * 11/2020 Lim D12/91
D911,222 S * 2/2021 Jung D12/91
D935,351 S * 11/2021 Lim D12/92

* cited by examiner

Primary Examiner — Melody N Brown

(74) *Attorney, Agent, or Firm* — Reising Ethington P.C.

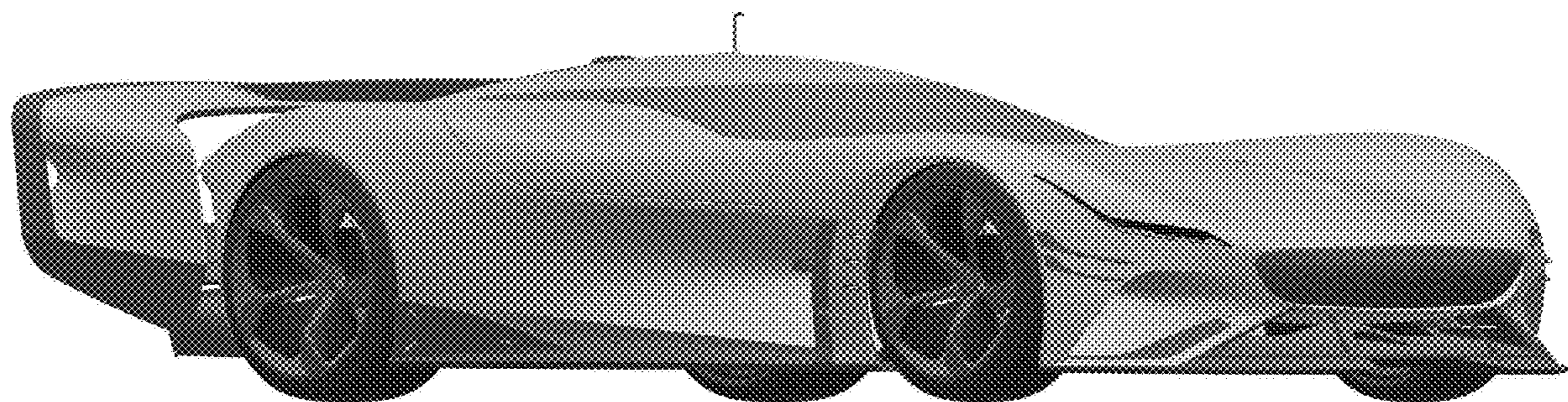
(57) **CLAIM**

The ornamental design for a motor vehicle, toy vehicle replica and/or other replica, as shown and described.

DESCRIPTION

FIG. 1 is a front elevation view of a motor vehicle, toy vehicle replica and/or other replica showing my new design; FIG. 2 is a front and right side perspective view thereof; FIG. 3 is a left side elevation view thereof; FIG. 4 is a right side elevation view thereof; FIG. 5 is a top plan view thereof; FIG. 6 is a bottom plan view thereof; FIG. 7 is a rear and left side perspective view thereof; and, FIG. 8 is a rear elevation view thereof.

1 Claim, 8 Drawing Sheets



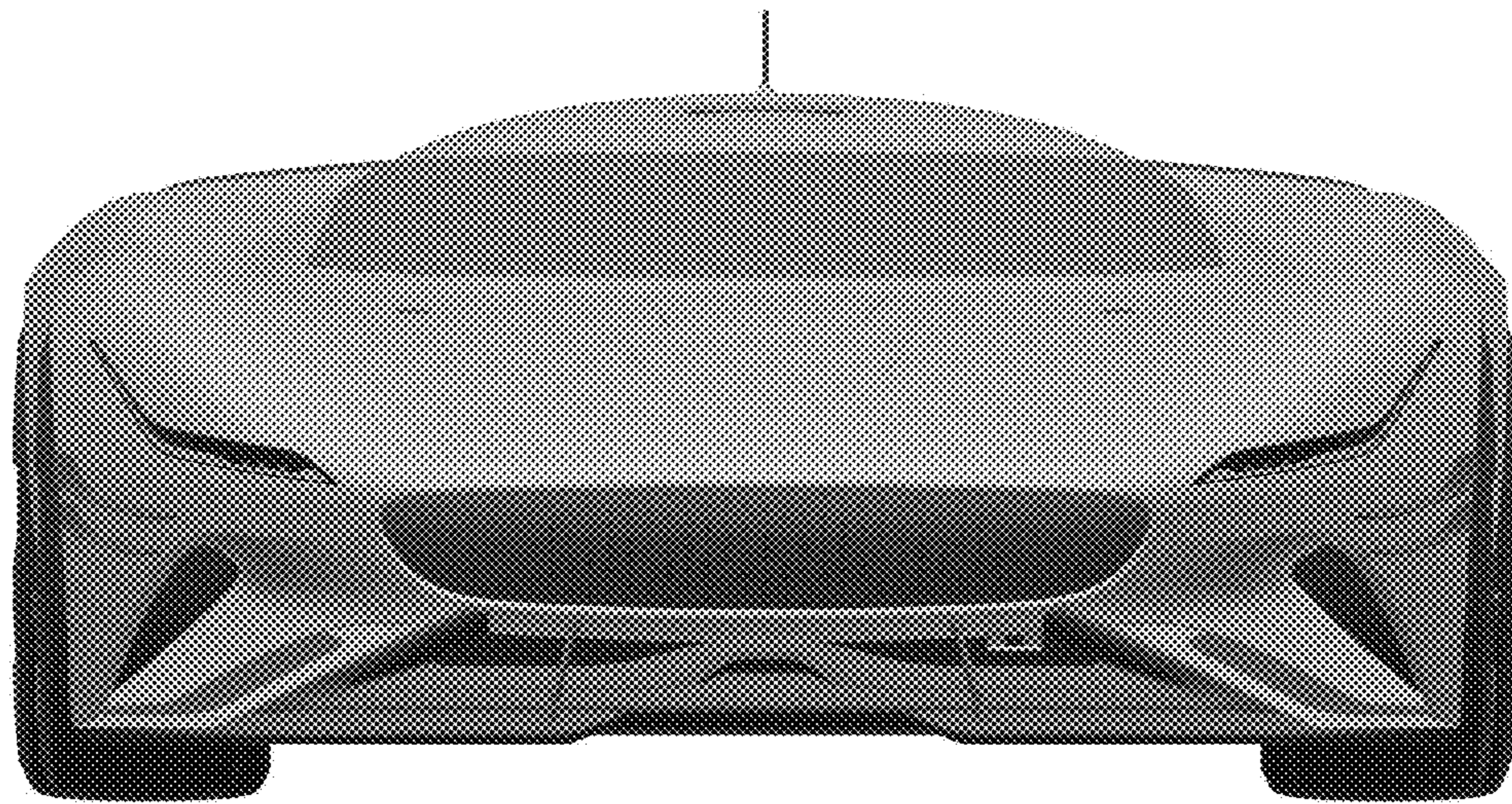


FIG. 1

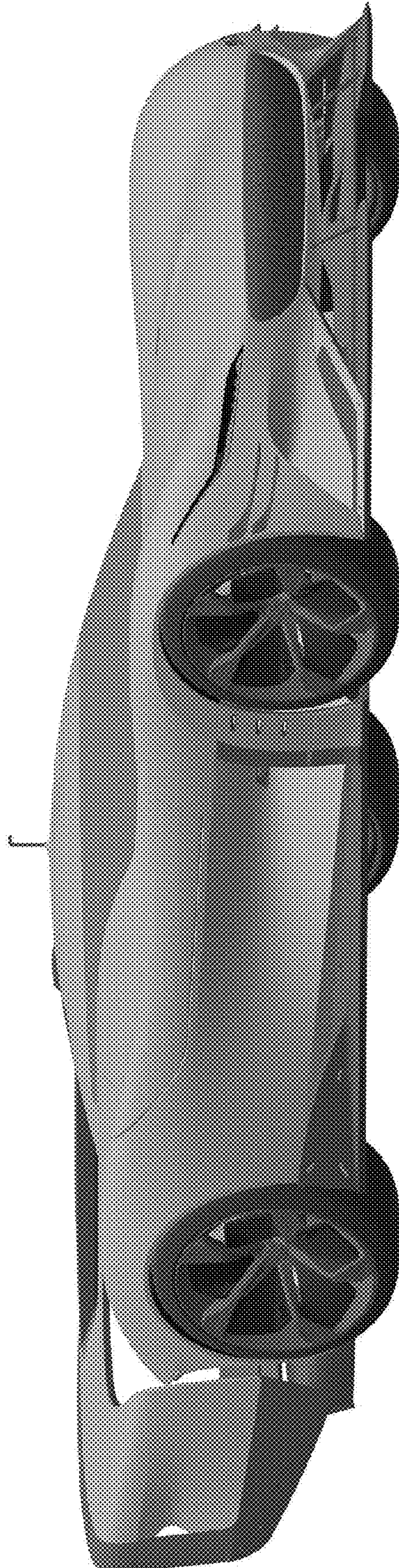


FIG. 2

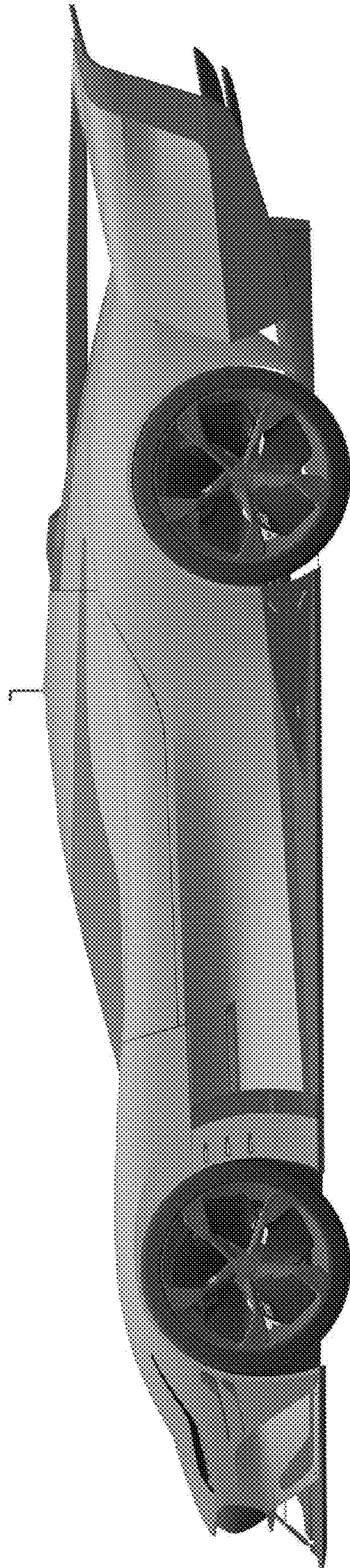


FIG. 3

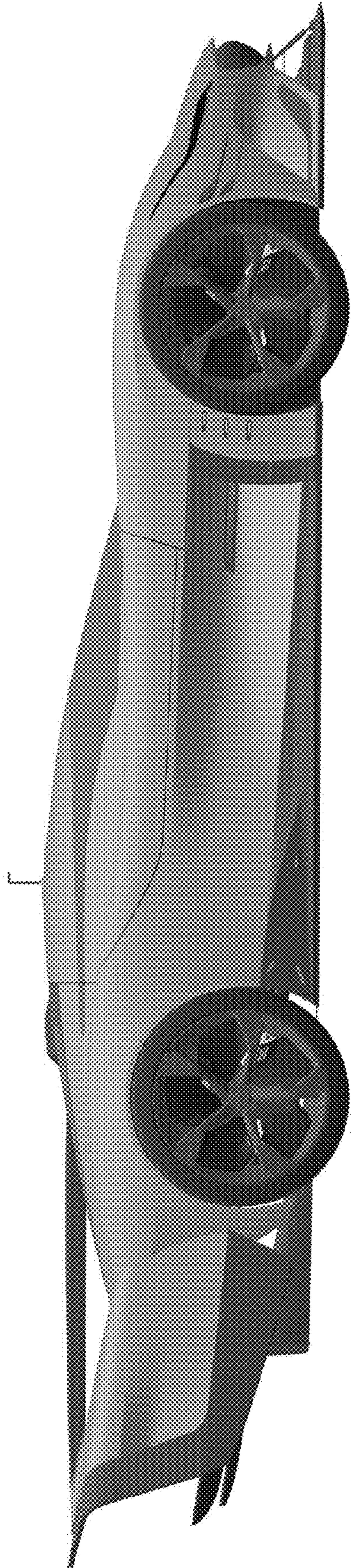


FIG. 4

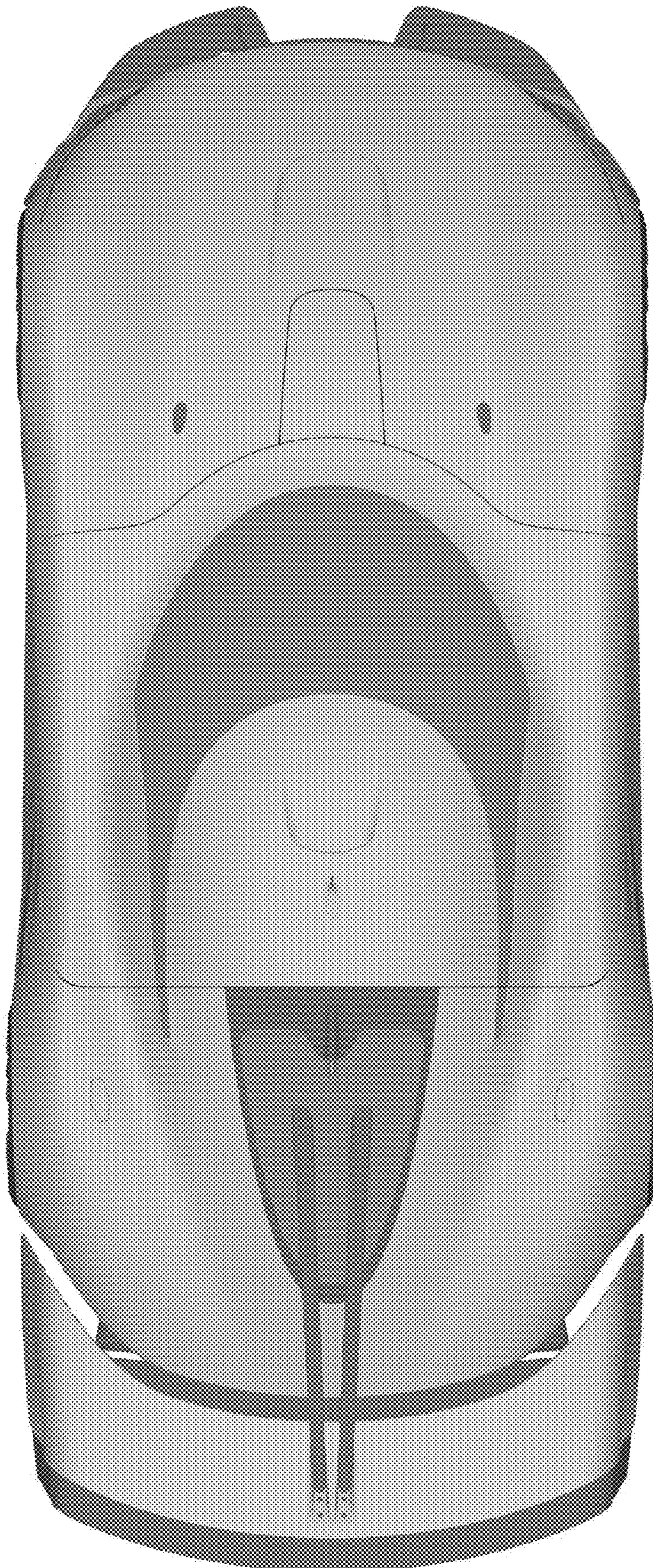


FIG. 5

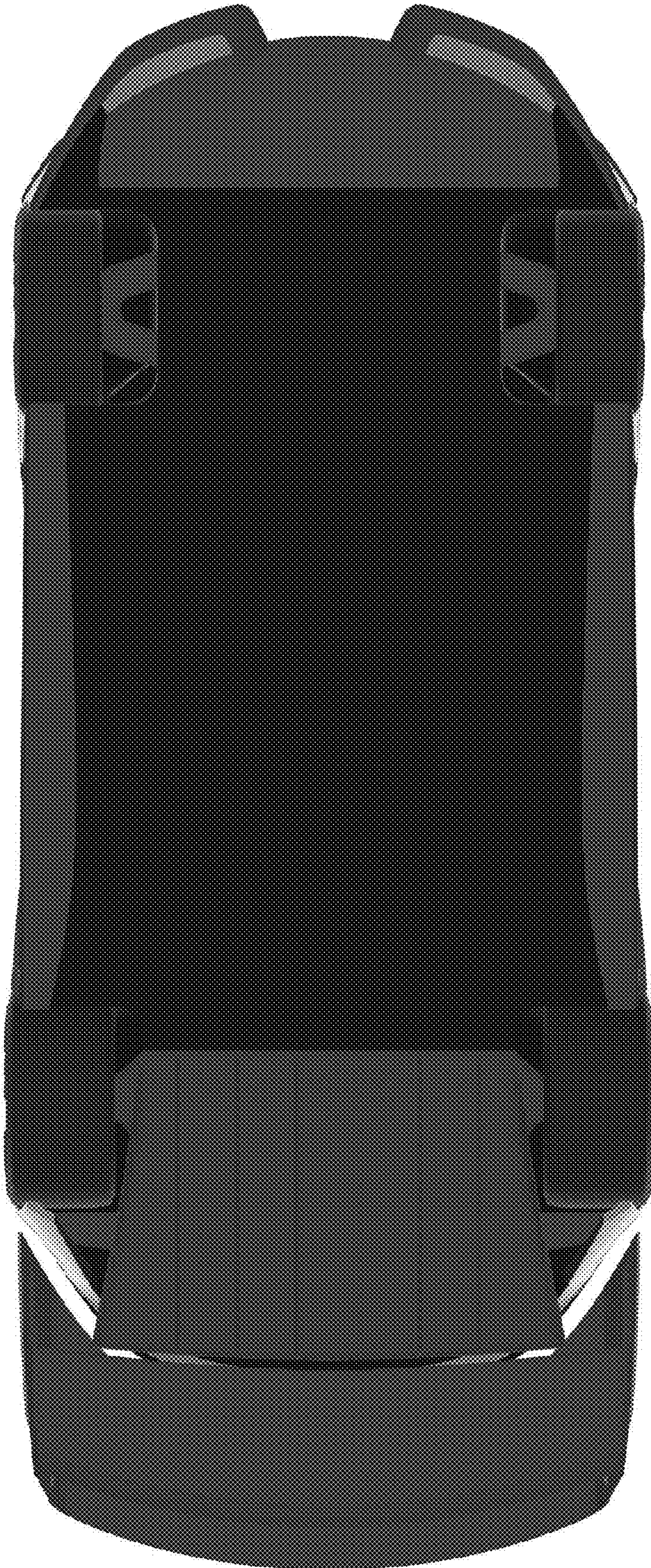


FIG. 6

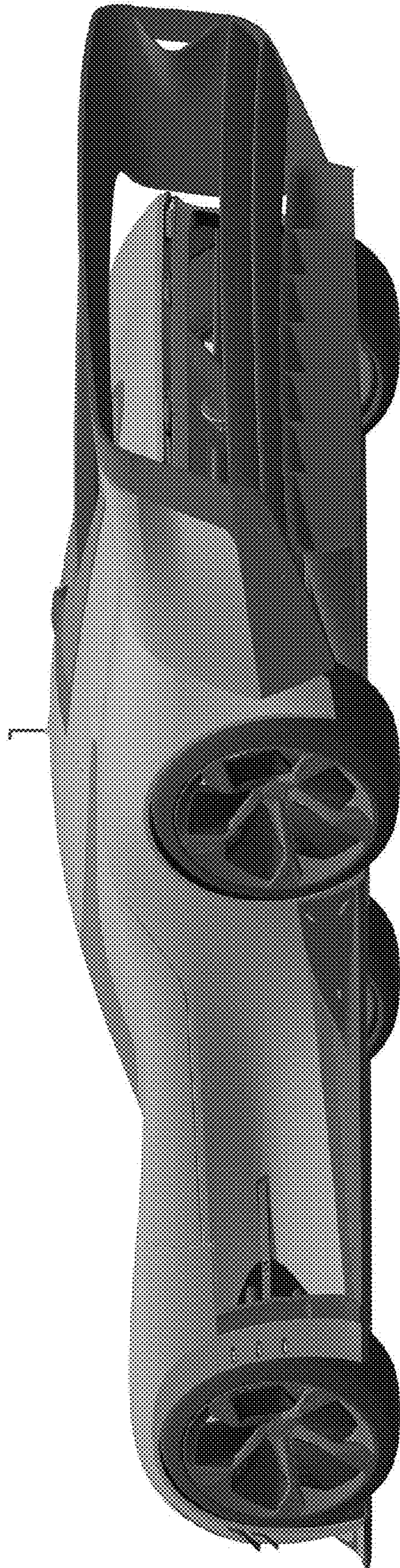


FIG. 7

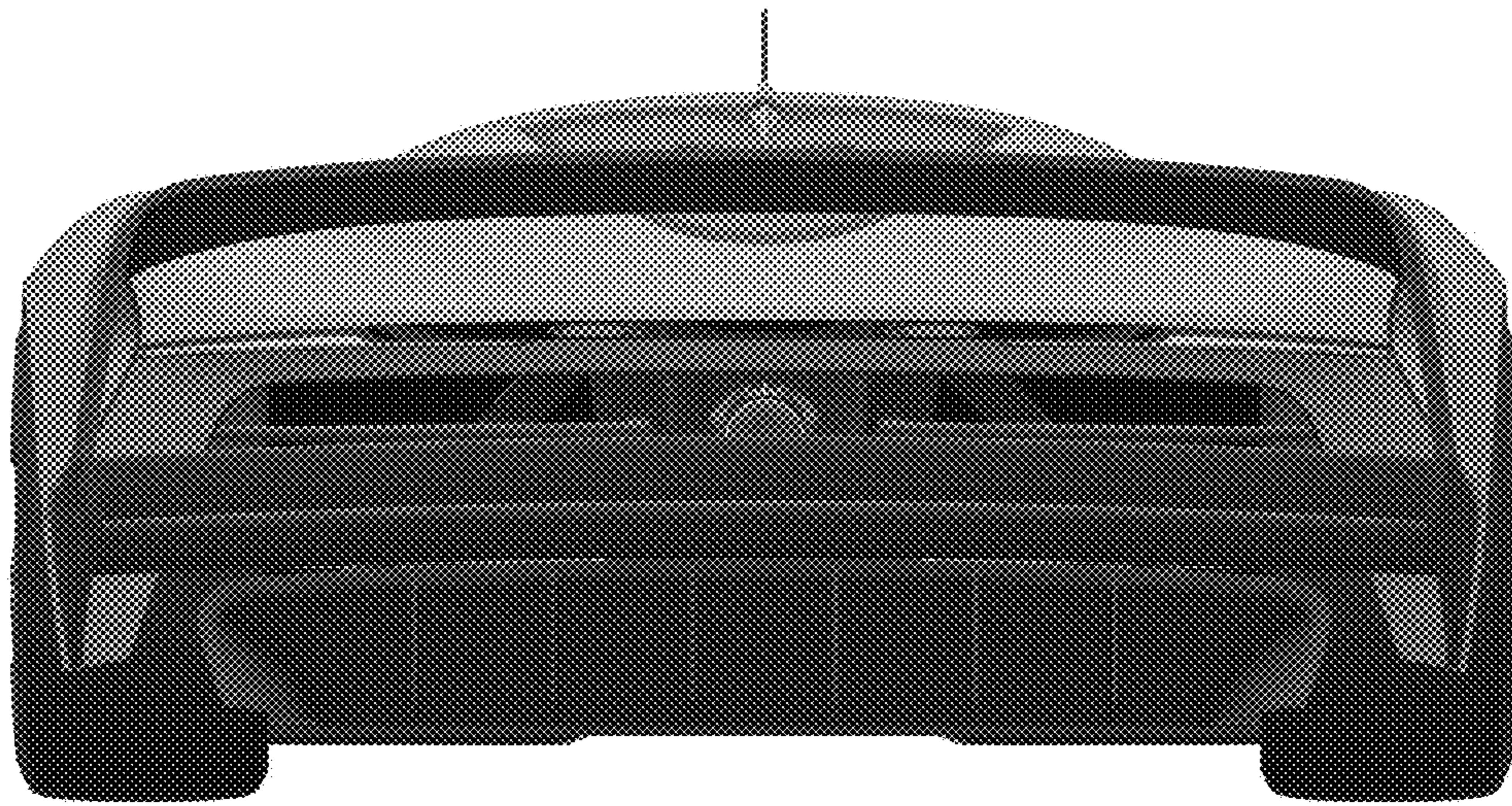


FIG. 8