

US00D949052S

(12) **United States Design Patent**  
**Shin et al.**

(10) **Patent No.:** **US D949,052 S**  
(45) **Date of Patent:** **\*\* Apr. 19, 2022**

(54) **VEHICLE**

(71) Applicant: **HYUNDAI MOBIS CO., LTD.**, Seoul (KR)

(72) Inventors: **Cheon Seop Shin**, Yongin-si (KR); **Seung Woo Baek**, Yongin-si (KR); **Ban Suk Choi**, Yongin-si (KR); **Jun Hyuk Cha**, Yongin-si (KR)

(73) Assignee: **HYUNDAI MOBIS CO., LTD.**, Seoul (KR)

(\*\*) Term: **15 Years**

(21) Appl. No.: **29/719,248**

(22) Filed: **Jan. 2, 2020**

(30) **Foreign Application Priority Data**

Aug. 26, 2019 (KR) ..... 30-2019-0040660

(51) **LOC (13) Cl.** ..... **12-08**

(52) **U.S. Cl.**  
USPC ..... **D12/86**

(58) **Field of Classification Search**  
USPC ..... D12/1, 14, 82, 86, 93-100; D21/533,  
D21/552-560

CPC .... B62D 49/005; B62D 49/007; B62D 39/00;  
B62D 33/06; B62D 33/0617; B62D  
33/0621; B62D 33/0625

See application file for complete search history.

(56) **References Cited**

**U.S. PATENT DOCUMENTS**

D789,250 S \* 6/2017 Arnold ..... D12/86  
D802,484 S \* 11/2017 Barkan ..... D12/93  
D807,786 S \* 1/2018 Beiling ..... D12/86  
D826,779 S \* 8/2018 Benedini ..... D12/86  
D830,900 S \* 10/2018 Suzuki ..... D12/86

D832,742 S \* 11/2018 Fisker ..... D12/86  
D836,026 S \* 12/2018 Renner ..... D12/86  
D839,784 S \* 2/2019 Sugawara ..... D12/86  
D859,211 S \* 9/2019 Nightingale ..... D12/86  
D860,862 S \* 9/2019 Janin ..... D12/90  
D865,569 S \* 11/2019 Jeung ..... D12/98  
D890,027 S \* 7/2020 Gronenthal ..... D12/86  
D904,930 S \* 12/2020 Missoni ..... D12/86

**OTHER PUBLICATIONS**

Electric Vehicle. Design—© Questel) orbit.com. [Online PDF compilation of references] 24 pgs. Print Dates Range Jul. 10, 2020-Jun. 12, 2020 [Retrieved Jun. 23, 2021].\*  
“Hyundai MObis Shows Off Futuristic Concept Self-Driving Car.” Jan. 9, 2019. Korea JoongAng Daily. <https://koreajoongangdaily.joins.com/2019/01/09/industry/Hyundai-Mobis-shows-off-futuristic-concept-selfdriving-car/3057961.html>.\*

(Continued)

*Primary Examiner* — Manpreet S Matharu

*Assistant Examiner* — Suzanne E Tisdell

(74) *Attorney, Agent, or Firm* — DLA Piper LLP (US)

(57) **CLAIM**

The ornamental design for a vehicle, as shown and described herein.

**DESCRIPTION**

FIG. 1 is a front perspective view of a vehicle according to the present invention.

FIG. 2 is a front view of the vehicle shown in FIG. 1.

FIG. 3 is a rear view of the vehicle shown in FIG. 1.

FIG. 4 is a left-side view of the vehicle shown in FIG. 1.

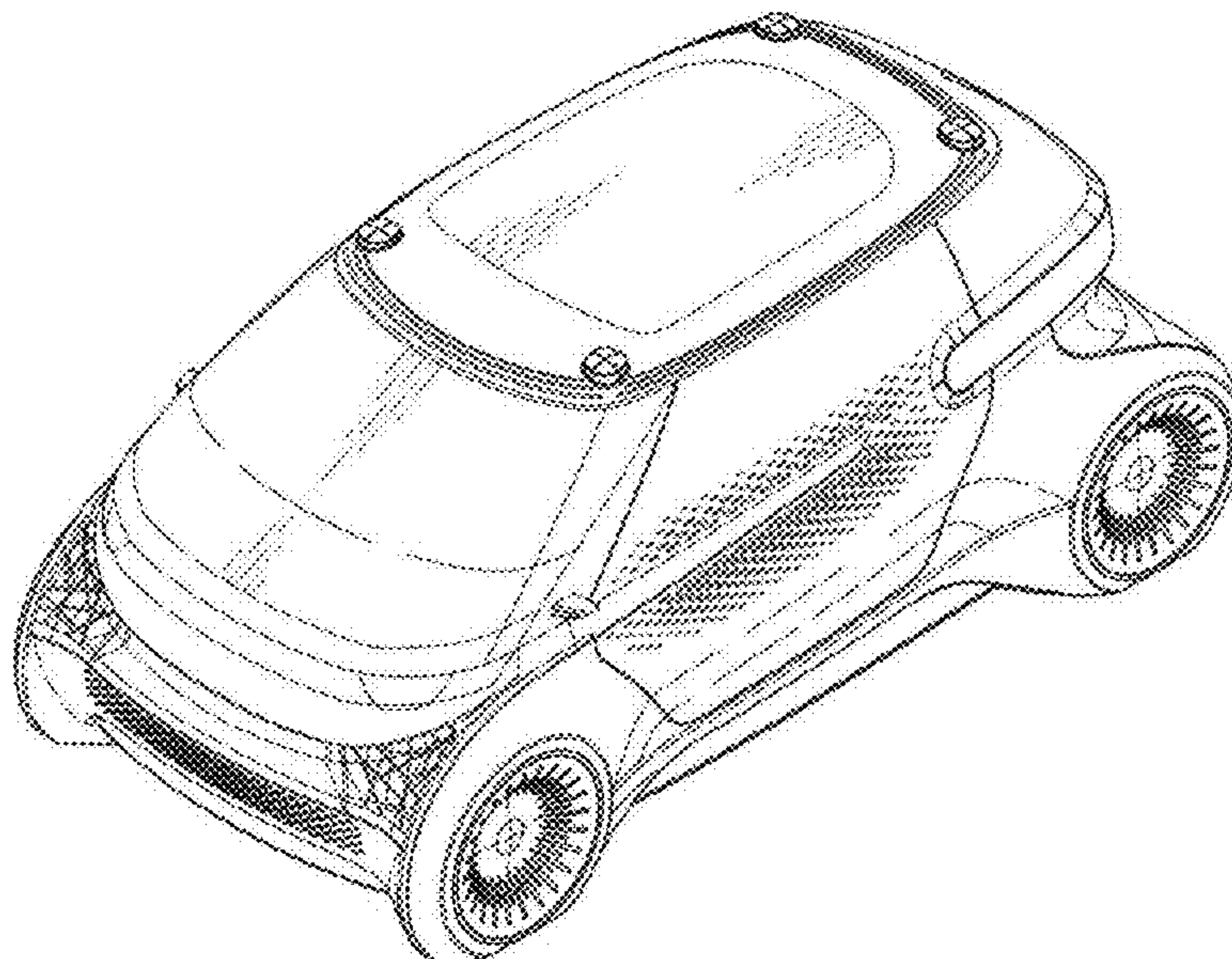
FIG. 5 is a right-side view of the vehicle shown in FIG. 1.

FIG. 6 is a top plan view of the vehicle shown in FIG. 1; and

FIG. 7 is a bottom view of the vehicle shown in FIG. 1.

Broken lines in the drawings show portion of the vehicle that form no part of the claimed design.

**1 Claim, 7 Drawing Sheets**



(56)

**References Cited**

OTHER PUBLICATIONS

Krok, Andrew. “CES 2019: Hyundai Mobis Shows How Lighting Can Reduce Accidents in Self-Driving Cars.” Jan. 8, 2019. CNET. <https://www.cnet.com/roadshow/news/hyundai-mobis-self-driving-car-lighting-ces-2019/>.\*

“Hyundai Aims at Launching a Fully Autonomous Vehicle in Five Years.” Sep. 25, 2019. EV Specifications. <https://www.evspecifications.com/en/news/666a1a8>.\*

“Hyundai Mobis unveils new concept of future autonomous driving”, <<https://m.post.naver.com/viewer/postView.nhn?volumeNo=17540665&memberNo=7250666>>—4 pages (Jan. 9, 2019).

“Hyundai Mobis opens open innovation center in Shenzhen, China”, <<https://www.autodaily.co.kr/news/articleView.html?idxno=409289>>—4 pages (Jun. 6, 2019).

\* cited by examiner



FIG. 1

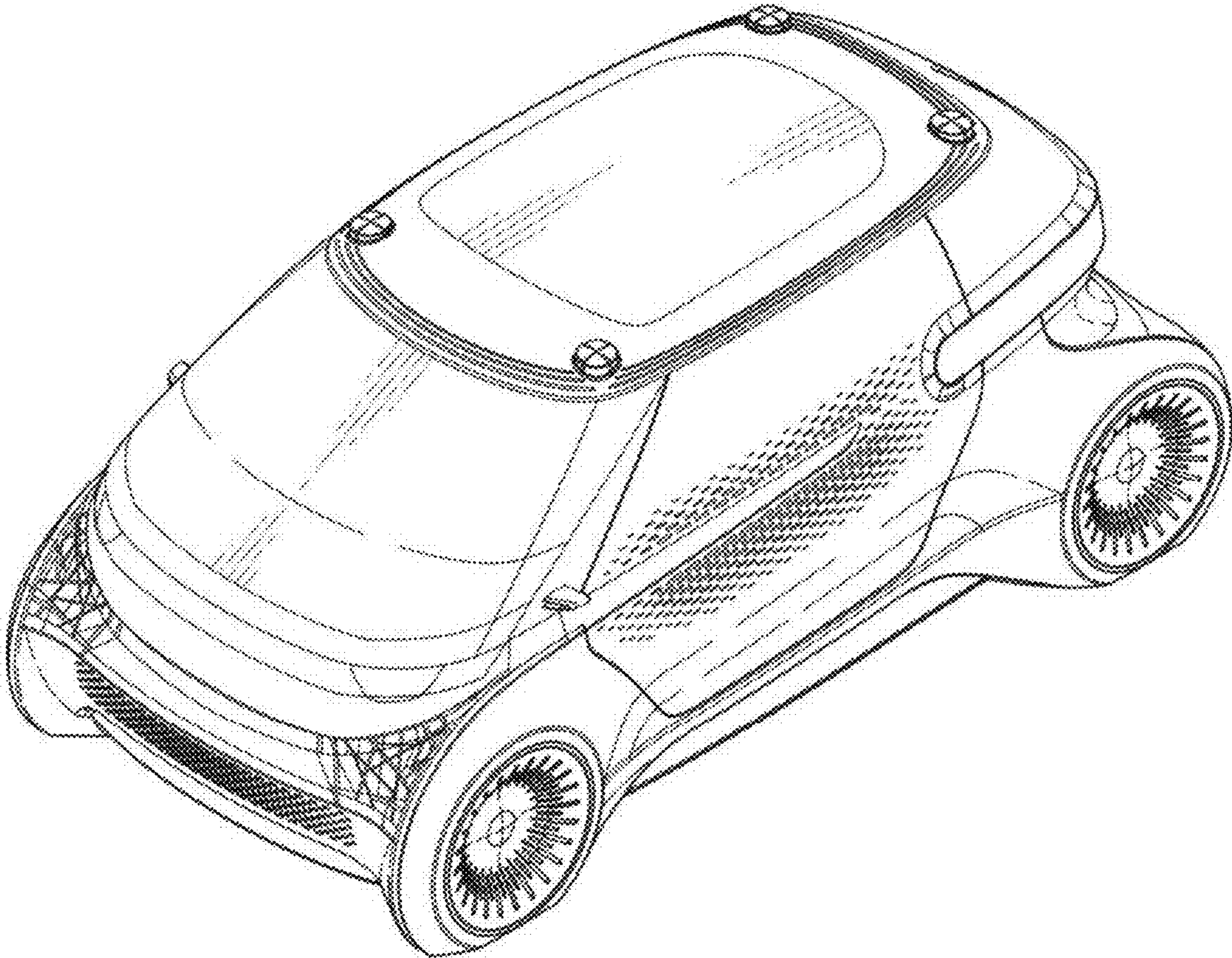


FIG. 2

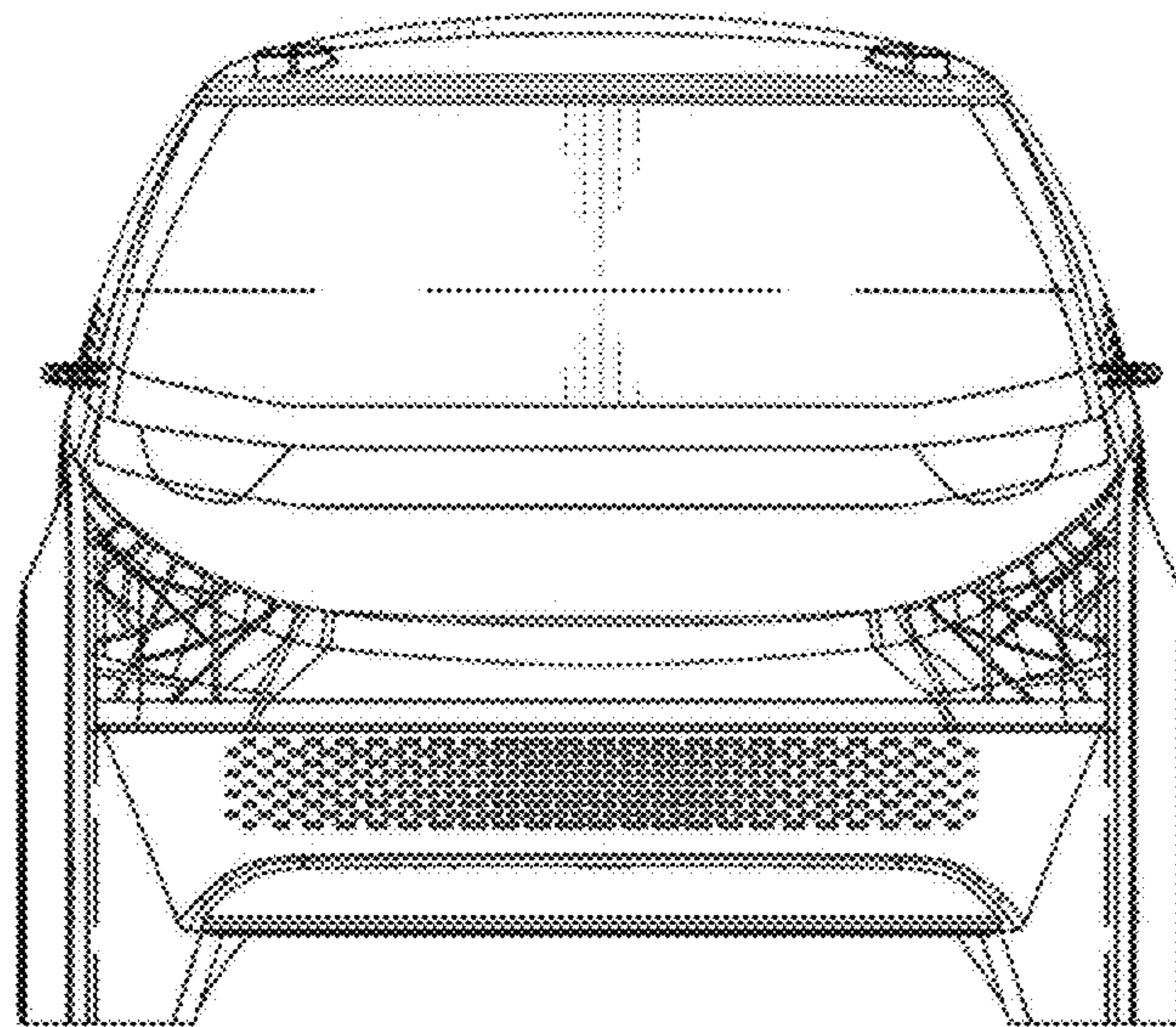


FIG. 3

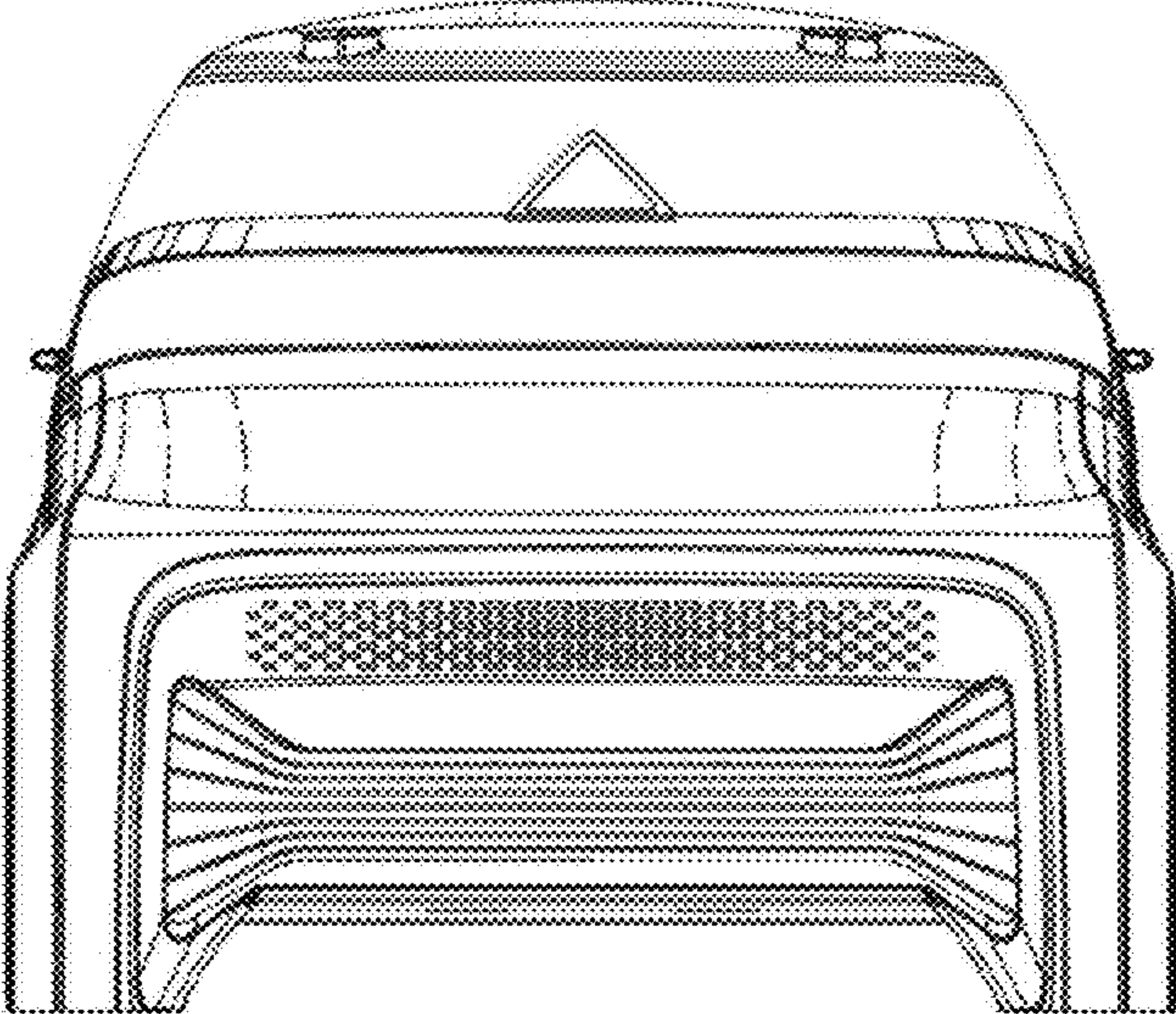




FIG. 4

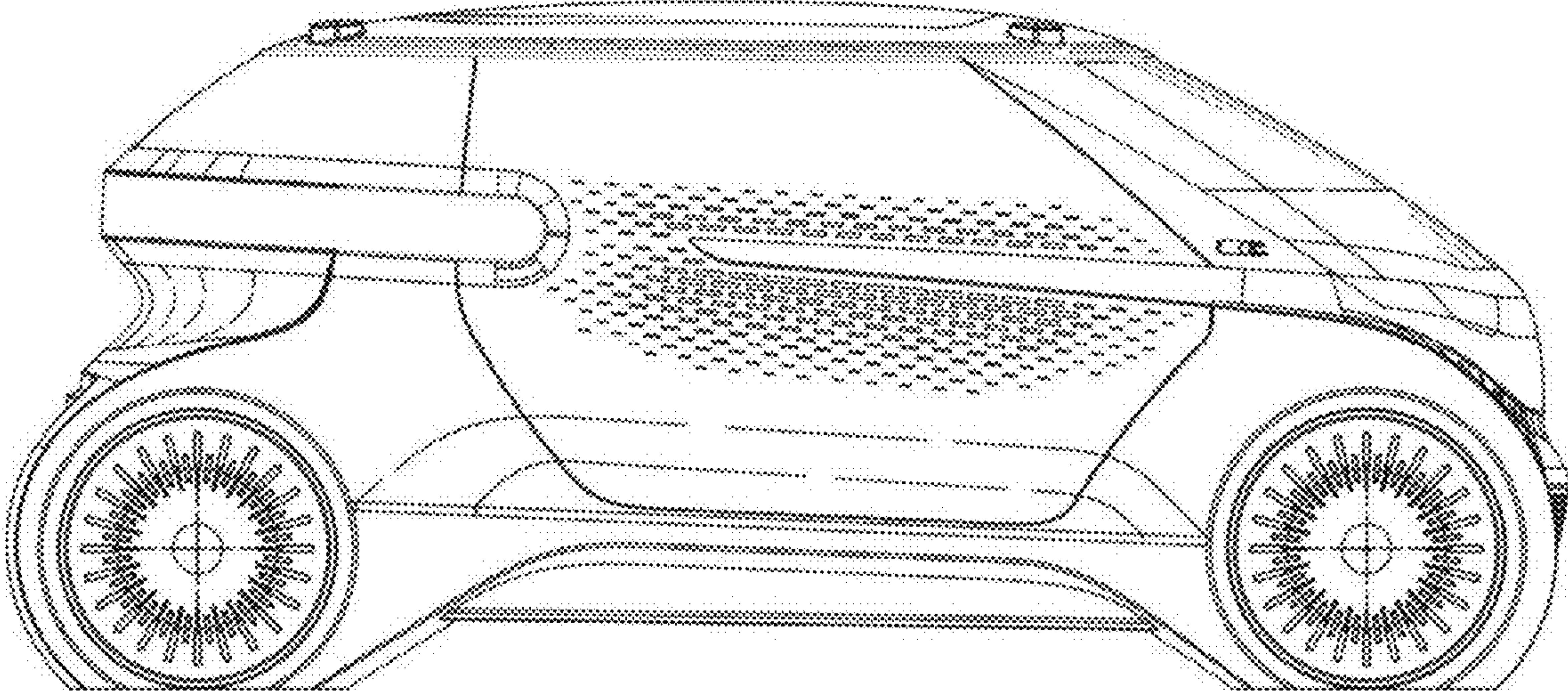


FIG. 5

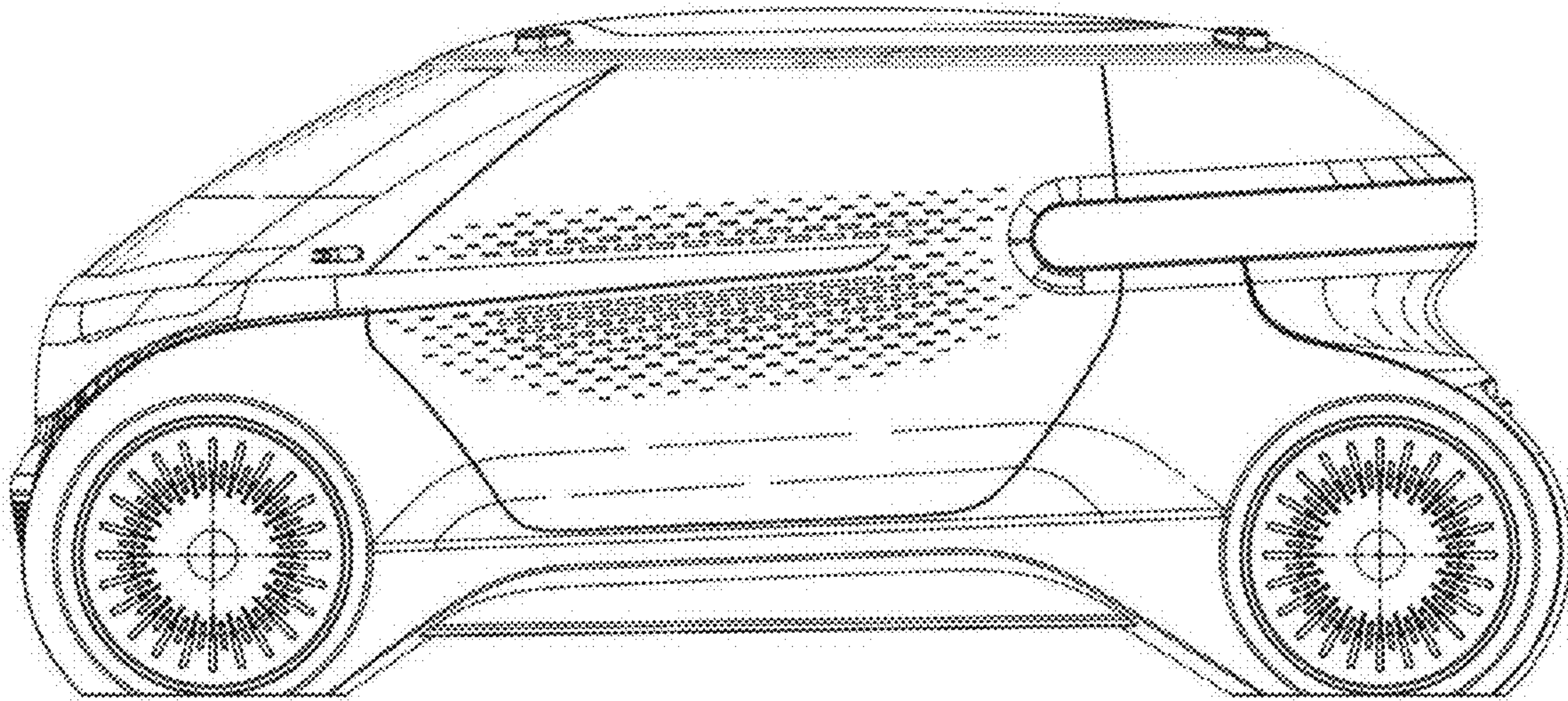




FIG. 6

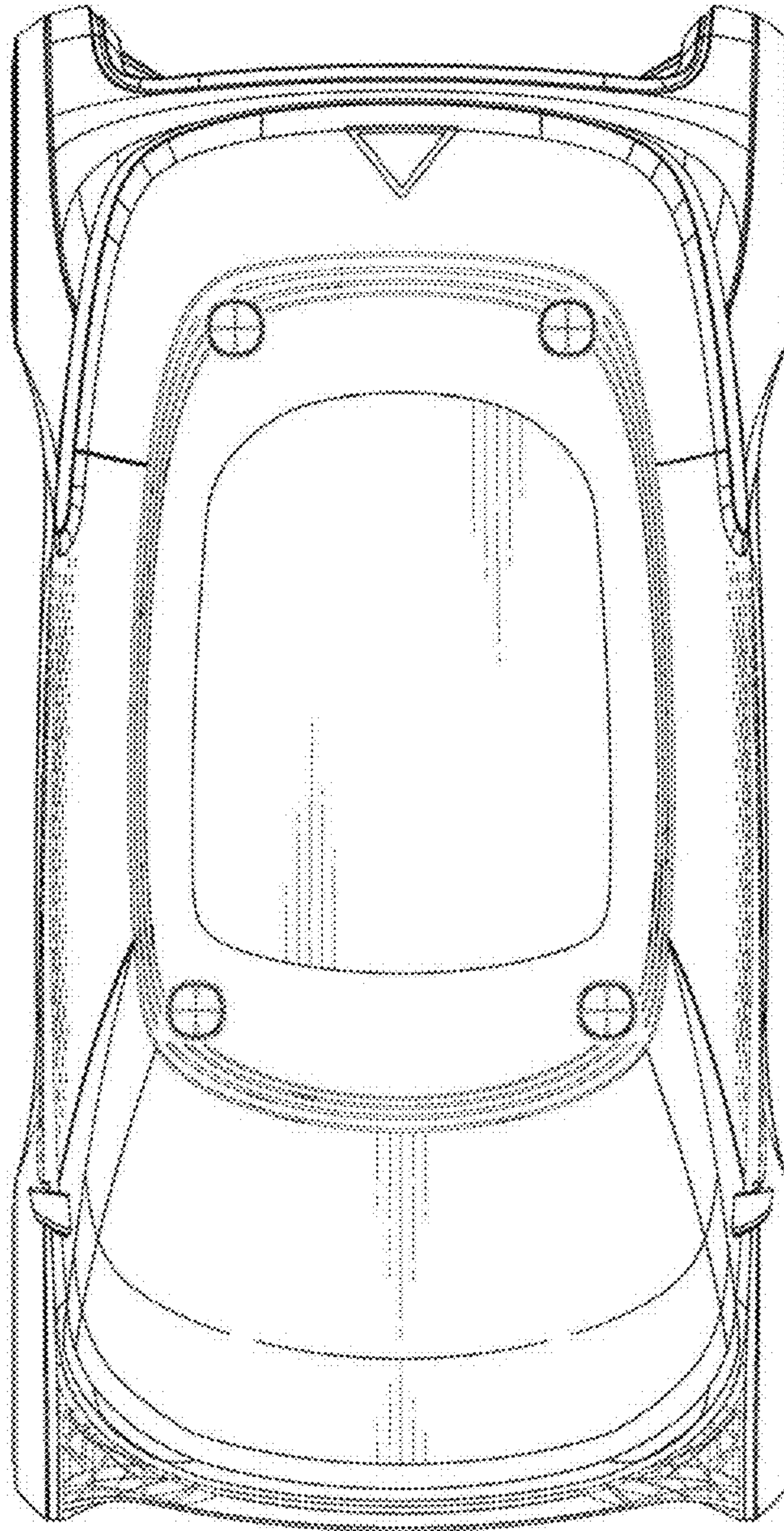




FIG. 7

