



US00D949050S

(12) **United States Design Patent**  
**O'Dell**

(10) **Patent No.:** **US D949,050 S**

(45) **Date of Patent:** **\*\* Apr. 19, 2022**

(54) **SECURITY RELEASE ADAPTER FOR HARNESS BUCKLE**

(71) Applicant: **Safe Restraints, Inc.**, Walnut Creek, CA (US)

(72) Inventor: **Ronald O'Dell**, Walnut Creek, CA (US)

(73) Assignee: **Safe Restraints, Inc.**, Walnut Creek, CA (US)

(\*\*) Term: **15 Years**

(21) Appl. No.: **29/798,357**

(22) Filed: **Jul. 7, 2021**

(51) **LOC (13) Cl.** ..... **02-07**

(52) **U.S. Cl.**  
USPC ..... **D11/216; D29/122**

(58) **Field of Classification Search**  
USPC ..... 128/875, 876; D11/210, 212, 215, 216, D11/218, 200, 201; D8/356; D29/100, D29/122  
CPC ..... A61F 5/37; A61F 5/3723; A61F 5/373; A61F 5/05858; A61F 5/05866; A61F 5/3776; E05B 75/00; A47D 13/046; A47D 13/086; A47D 15/005; A61H 2201/1652; A61B 5/6831; A44B 11/25  
See application file for complete search history.

(56) **References Cited**

**U.S. PATENT DOCUMENTS**

- D30,301 S \* 2/1899 Lipman ..... 24/698.2
- 3,408,707 A \* 11/1968 Hemphill ..... A44B 11/2526 24/639
- 4,731,912 A \* 3/1988 Boriskie ..... A44B 11/2576 24/579.11
- D302,140 S \* 7/1989 Johnston ..... D11/216

- 5,123,147 A \* 6/1992 Blair ..... A44B 11/2526 24/636
  - 5,189,767 A \* 3/1993 Reitsma ..... A44B 11/2576 24/579.11
  - D355,833 S \* 2/1995 Seaquist ..... D8/374
- (Continued)

**OTHER PUBLICATIONS**

The Harness-Safe Restraints Inc. (on-line), no date available. Retrieved from Internet Jan. 28, 2022, URL: [https://saferestrains.com/?page\\_id=112](https://saferestrains.com/?page_id=112) (8 pages).\*

(Continued)

*Primary Examiner* — Kimberly Barnes

(74) *Attorney, Agent, or Firm* — Gerald R. Prettyman

(57) **CLAIM**

The ornamental design for a security release adapter for harness buckle, as shown and described.

**DESCRIPTION**

This application is related to U.S. Utility application Ser. No. 17/308,463 filed May 5, 2021.

FIG. 1 is a top left perspective view of a security release adapter for harness buckle, showing my new design;

FIG. 2 is a bottom right perspective view thereof;

FIG. 3 is a top plan view thereof;

FIG. 4 is a bottom plan view thereof;

FIG. 5 is a rear elevation view thereof;

FIG. 6 is a front elevation view thereof;

FIG. 7 is a left elevation view thereof;

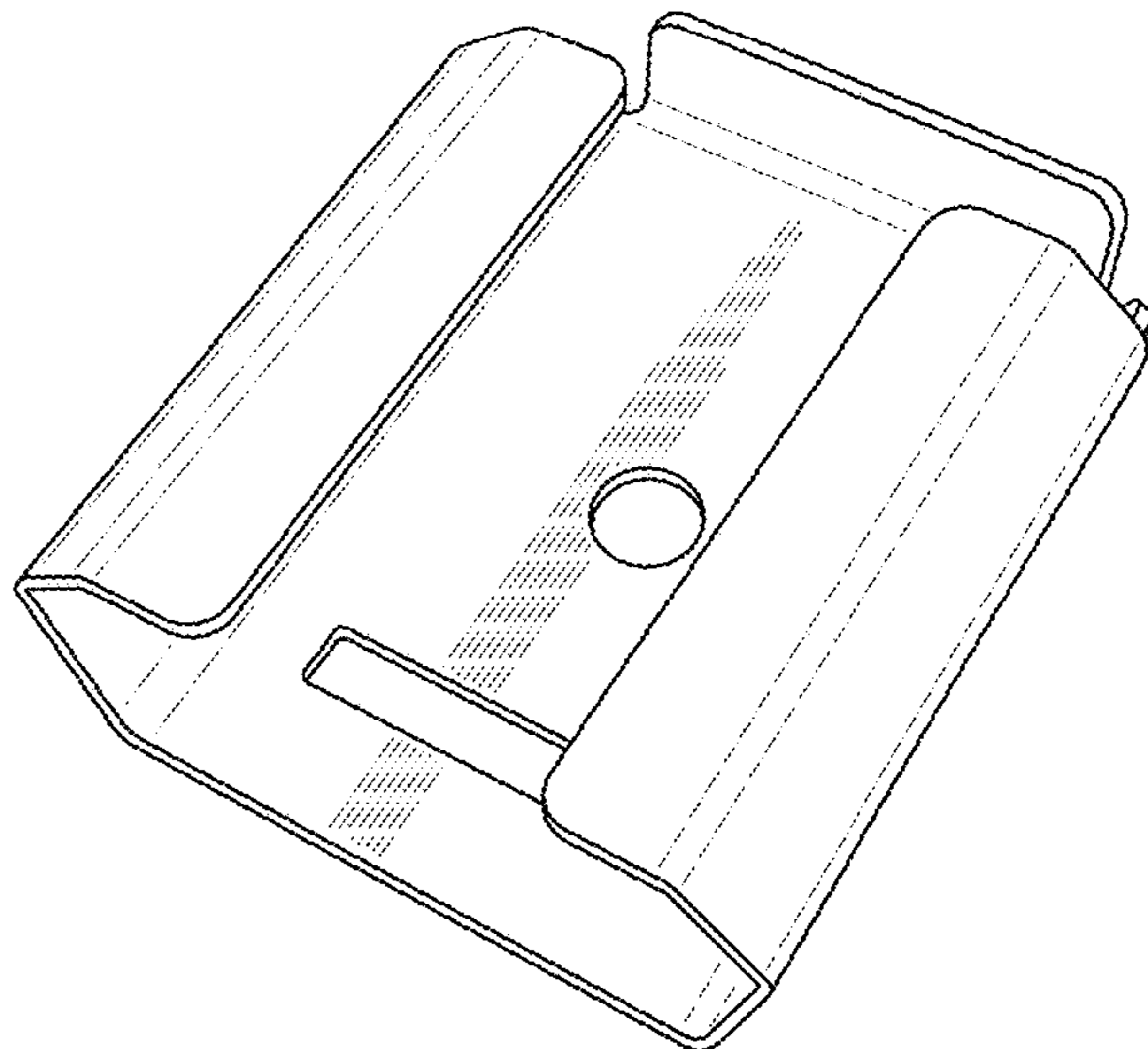
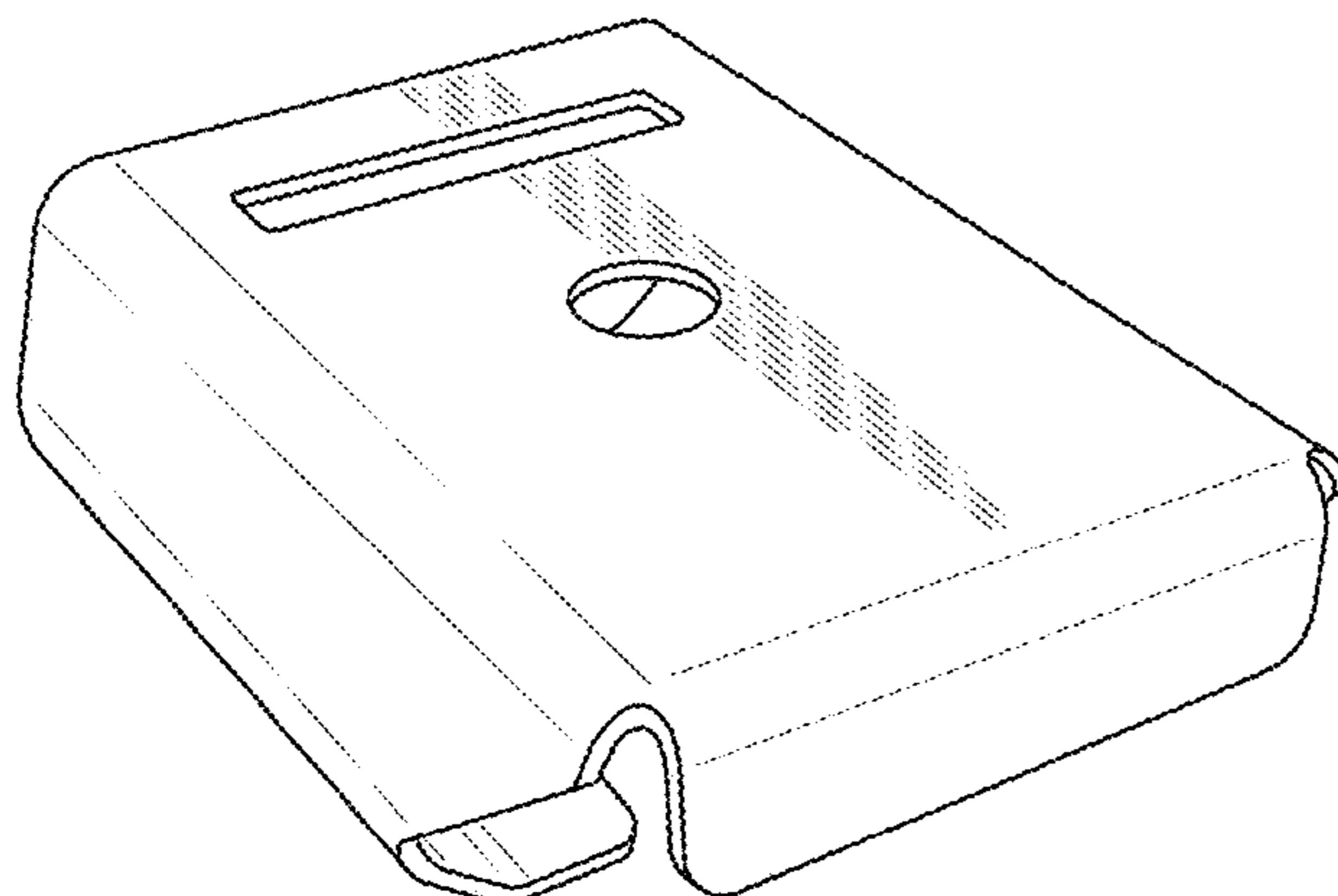
FIG. 8 is a right elevation view thereof;

FIG. 9 is a bottom perspective view thereof; shown with an enclosed buckle environment for clarity of disclosure; and,

FIG. 10 is a rear elevation view thereof; shown with an enclosed buckle environment for clarity of disclosure.

The broken lines in FIGS. 9 and 10, showing an enclosed buckle environment are for the purpose of illustrating environmental subject matter that forms no part of the claimed design.

**1 Claim, 4 Drawing Sheets**



(56)

**References Cited**

U.S. PATENT DOCUMENTS

D376,995 S \* 12/1996 Veach ..... D11/216  
 5,649,341 A \* 7/1997 Ashline ..... A44B 11/2557  
 24/640  
 5,752,299 A \* 5/1998 Vivacqua ..... B60R 22/48  
 297/468  
 5,893,366 A \* 4/1999 Odell ..... A61F 5/3715  
 128/869  
 D417,170 S \* 11/1999 Proctor ..... D11/216  
 D453,125 S \* 1/2002 Citton ..... D11/216  
 6,668,433 B1 \* 12/2003 Hood ..... A44B 11/2576  
 24/633  
 D508,872 S \* 8/2005 Hoepfner ..... D11/216  
 D598,324 S \* 8/2009 Kosh ..... D11/216  
 D618,136 S \* 6/2010 Ward ..... D11/200  
 D630,970 S \* 1/2011 McNaughton ..... D11/200  
 8,381,373 B2 \* 2/2013 Jung ..... A44B 11/2526  
 24/639  
 D708,420 S \* 7/2014 Rosales ..... D2/639  
 D742,073 S \* 10/2015 Zamolo ..... D29/100  
 D863,043 S \* 10/2019 Schweiss ..... D8/356  
 2005/0204523 A1 \* 9/2005 Smith ..... A44B 11/2576  
 24/633  
 2009/0126170 A1 \* 5/2009 Guerra ..... A44B 11/2576  
 24/572.1  
 2016/0114760 A1 \* 4/2016 Crawford ..... B60R 22/024  
 297/483

OTHER PUBLICATIONS

The Harness by safe restraints (on-line), dated Jan. 1, 2019. Retrieved from Internet Jan. 28, 2022, URL: <https://www.youtube.com/watch?v=-14DmZrMJQ8> (1 page) (Year: 2019).\*

\* cited by examiner

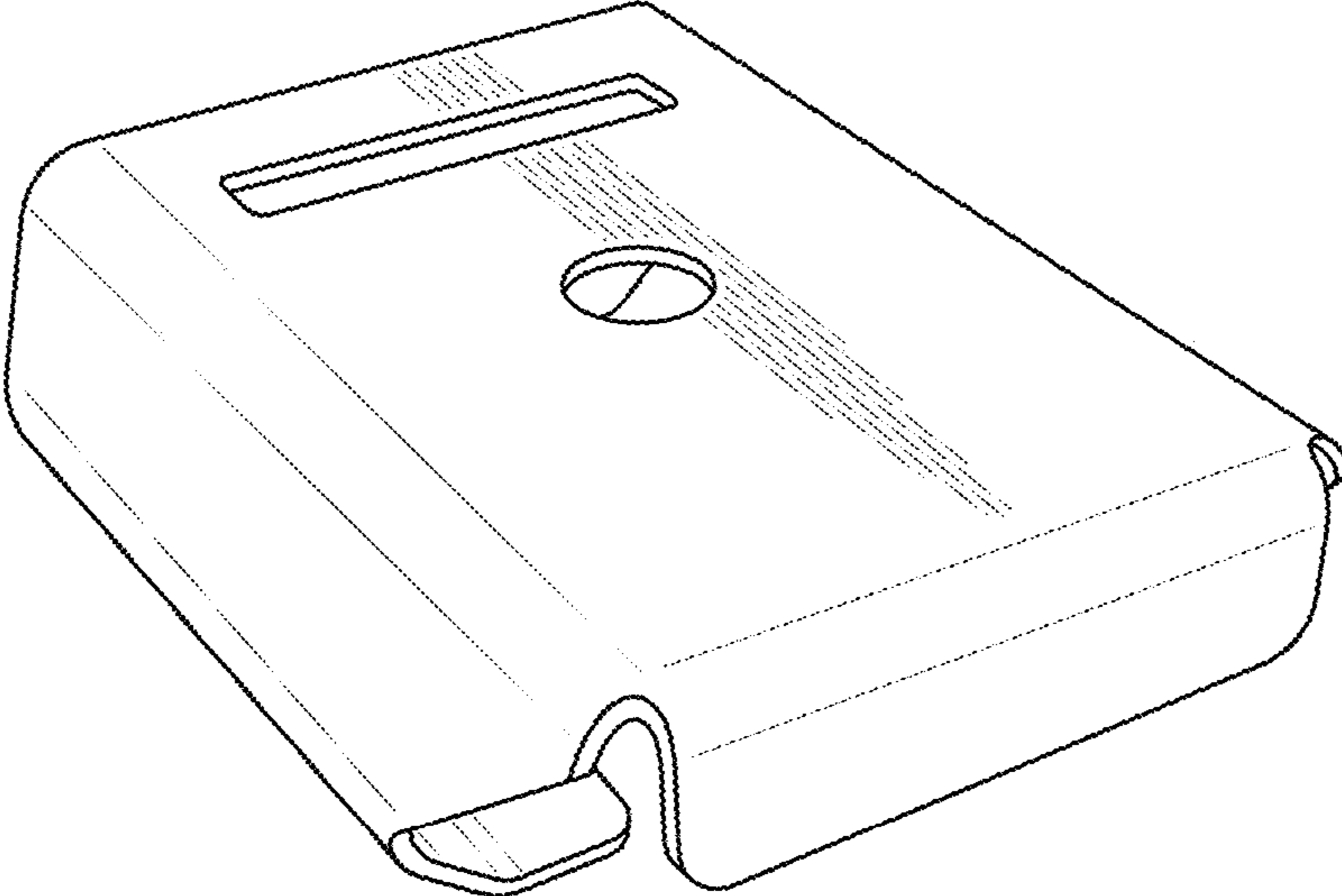


FIG. 1

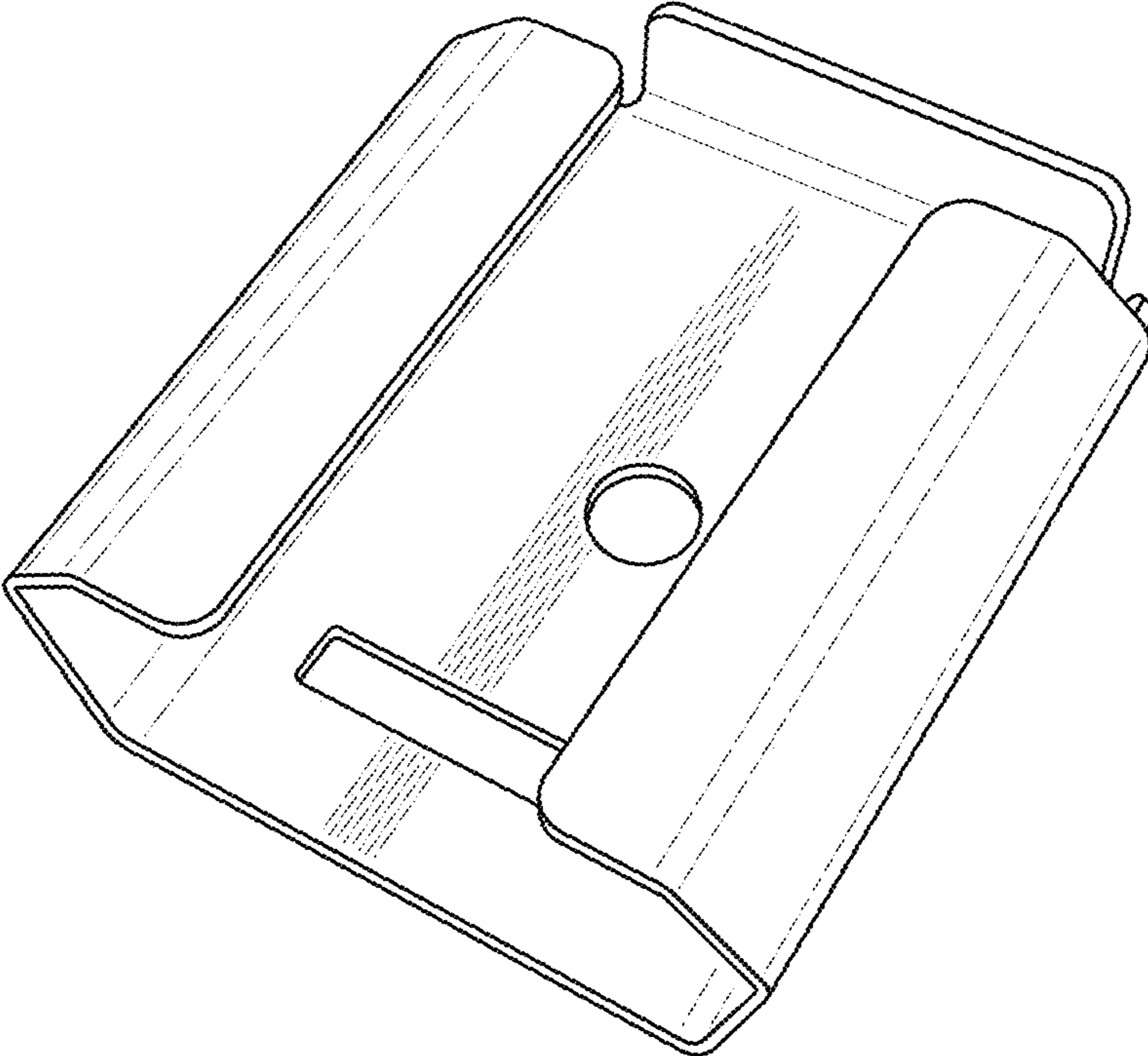


FIG. 2

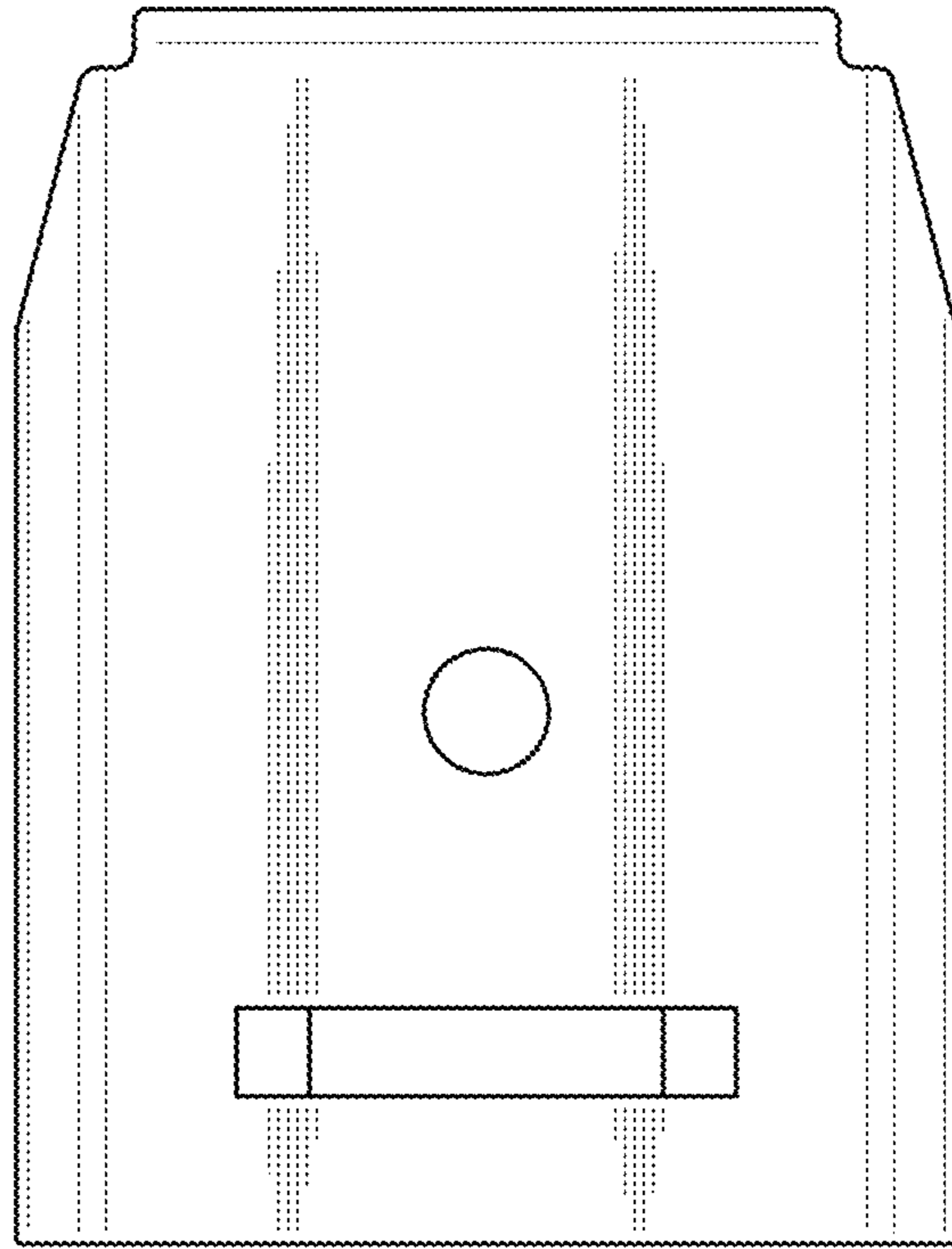


FIG. 3

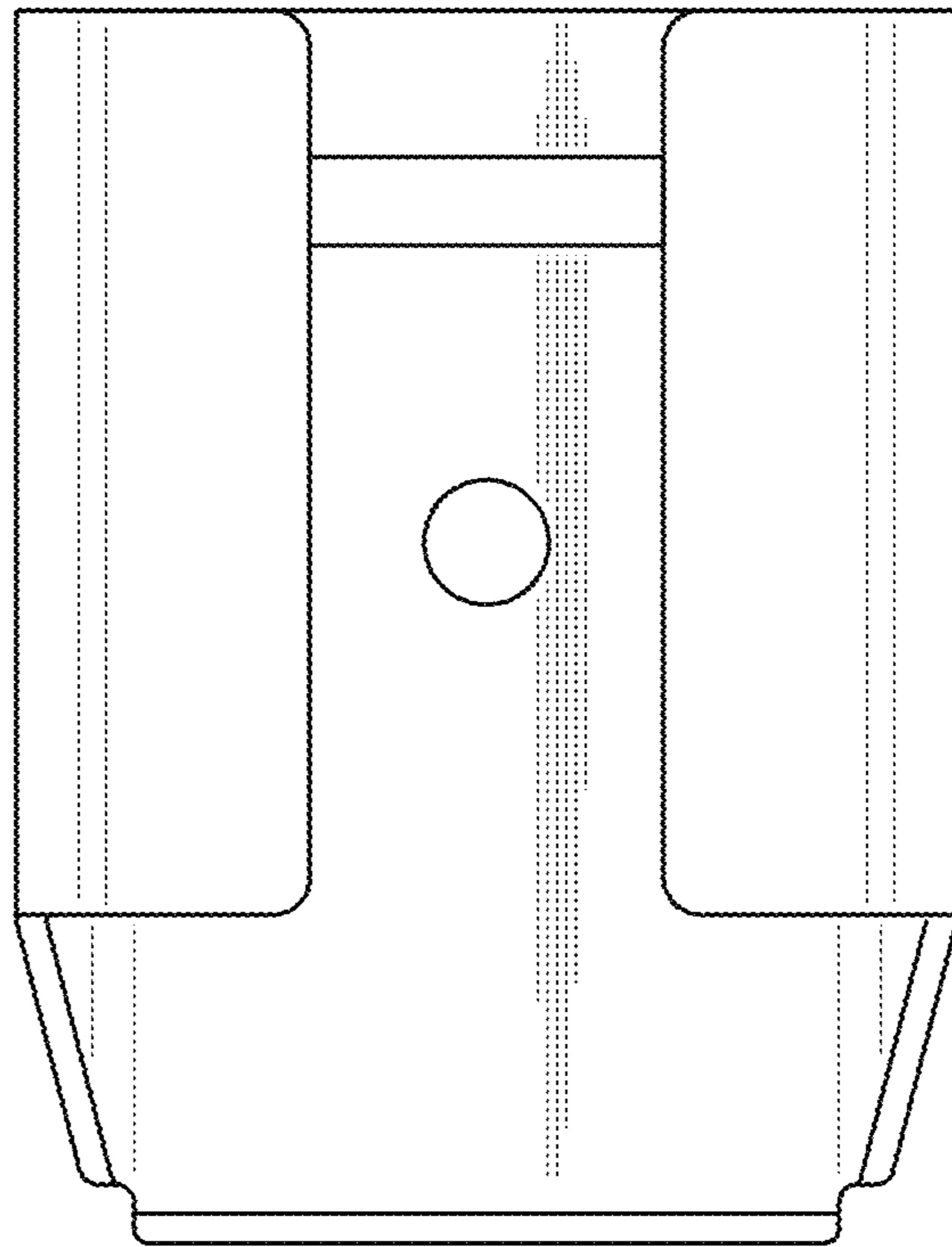


FIG. 4

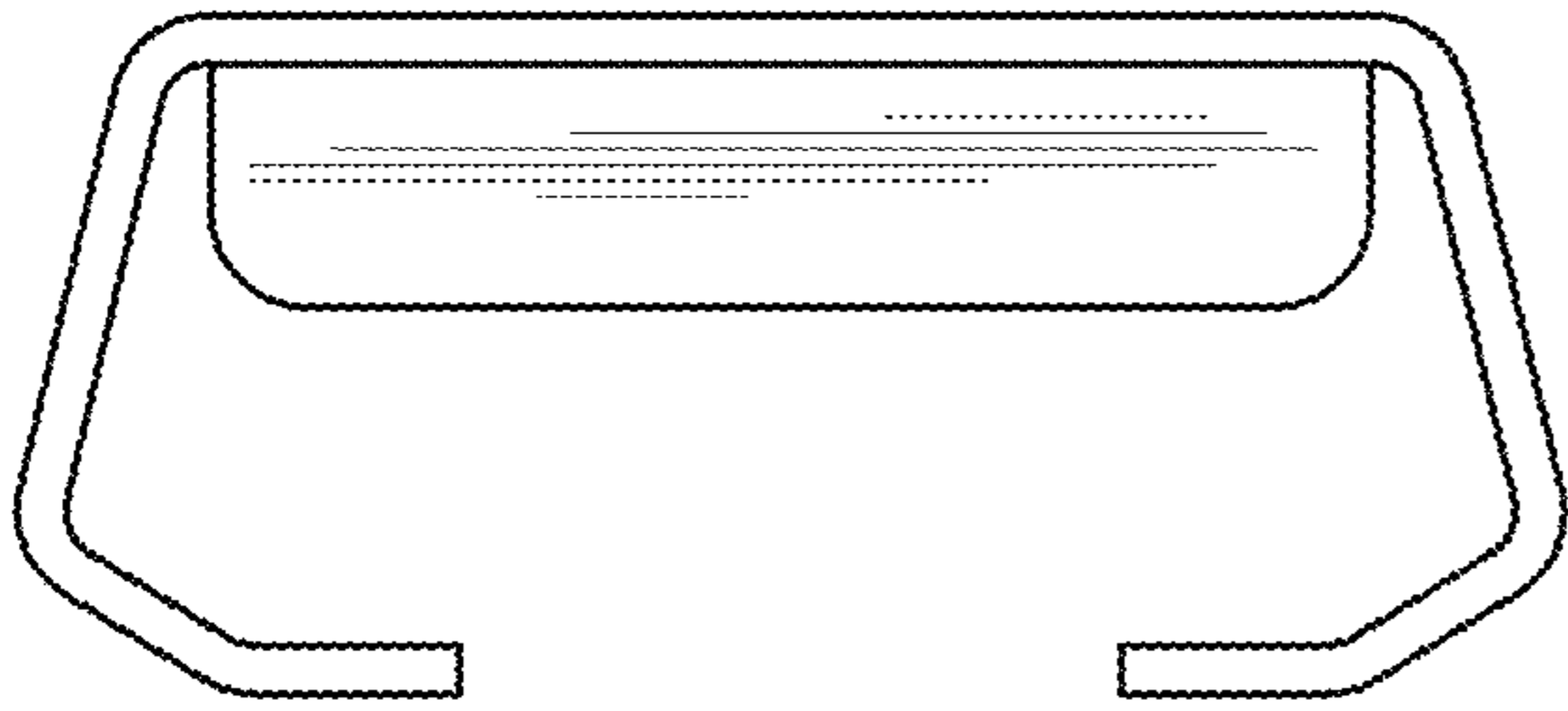


FIG. 5

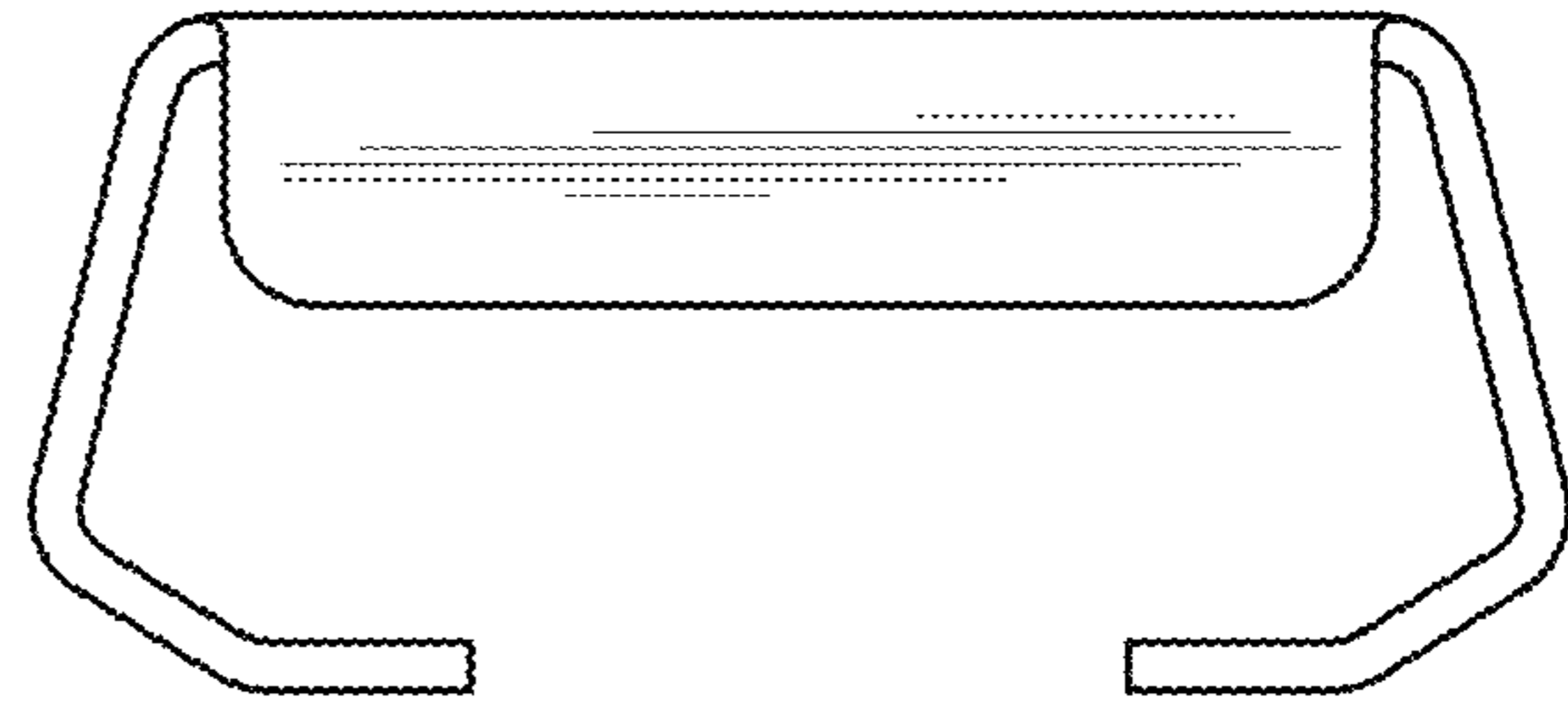


FIG. 6

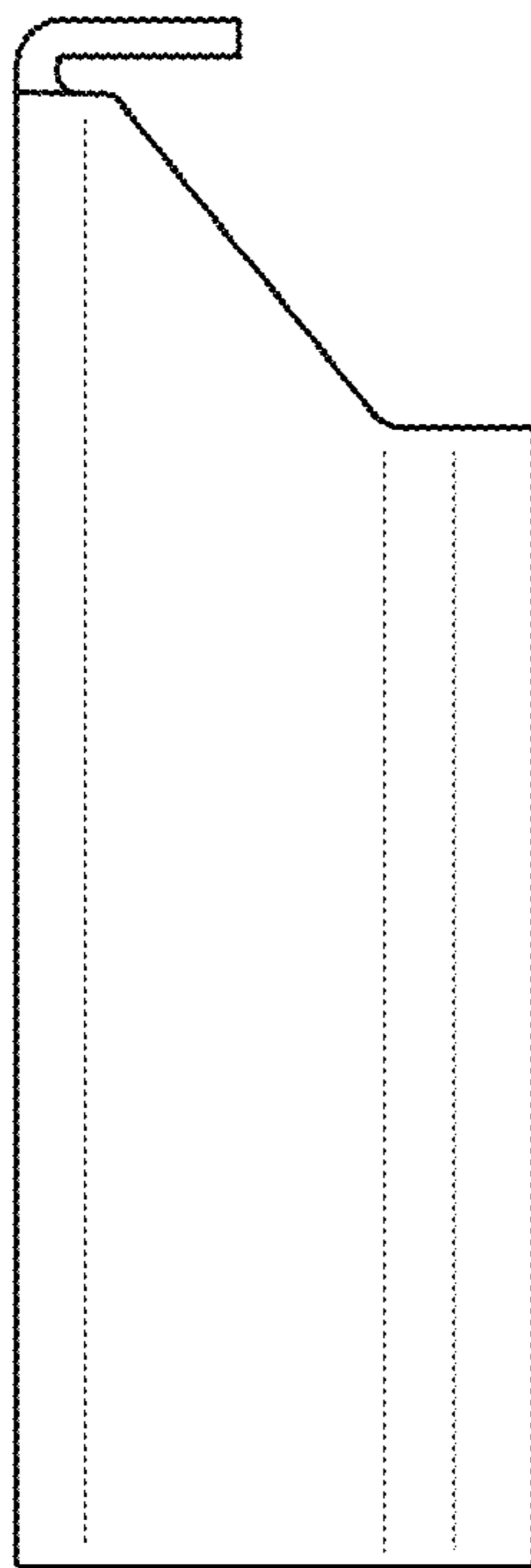


FIG. 7

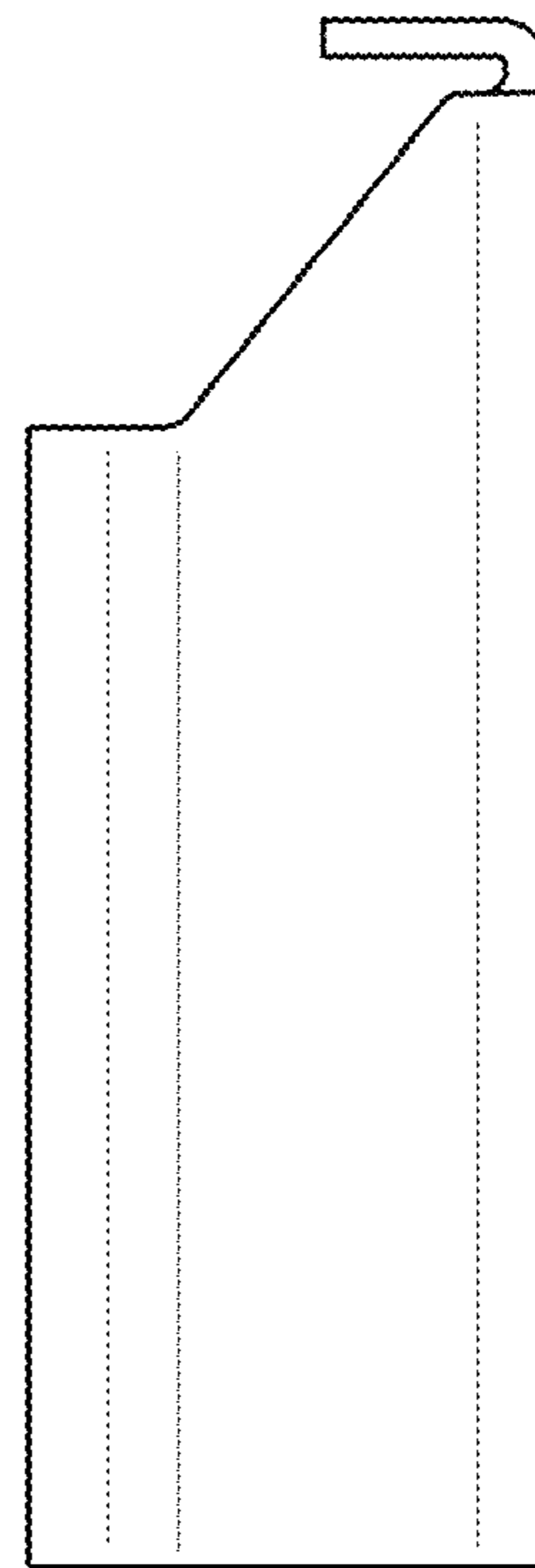


FIG. 8

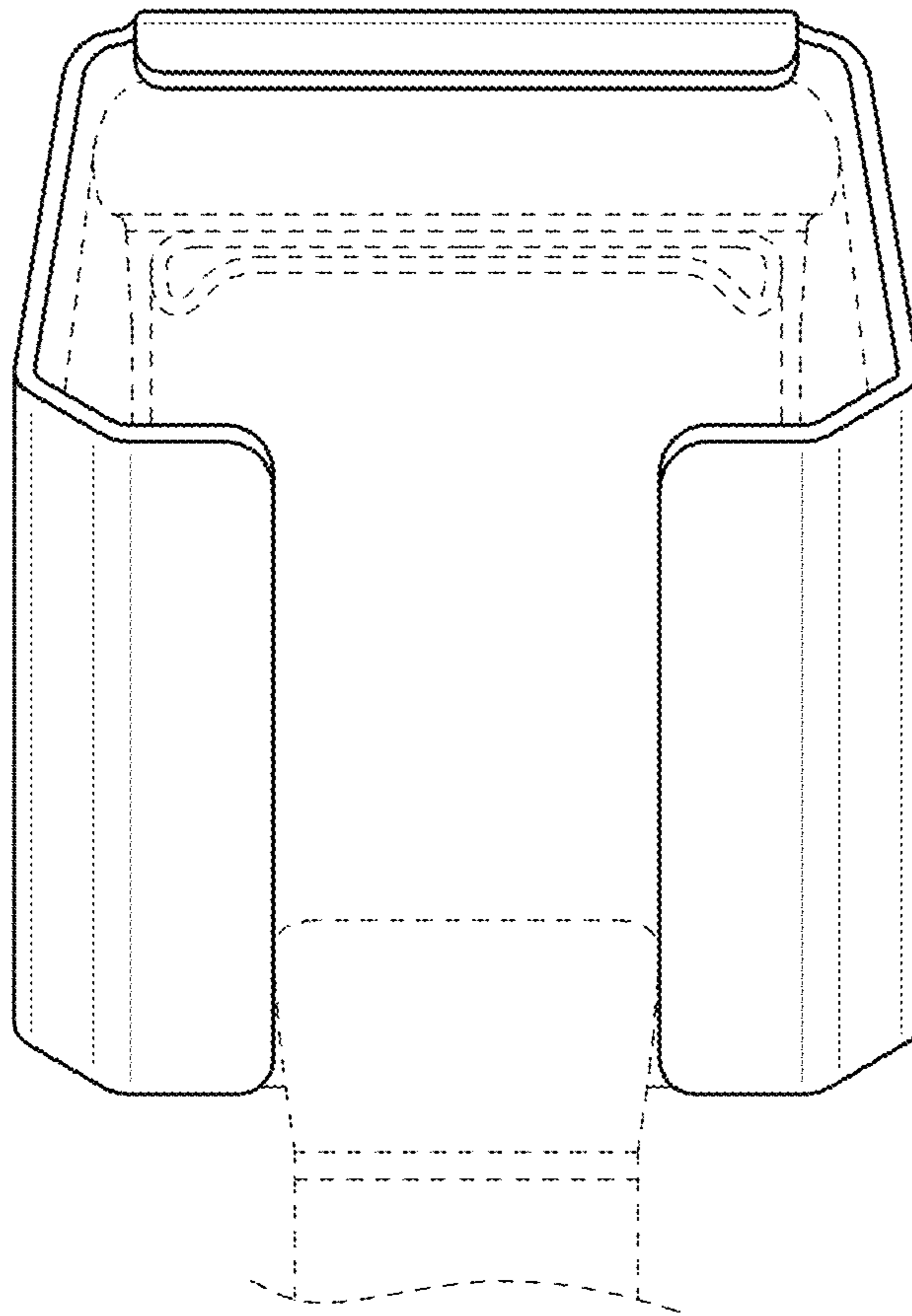


FIG. 9

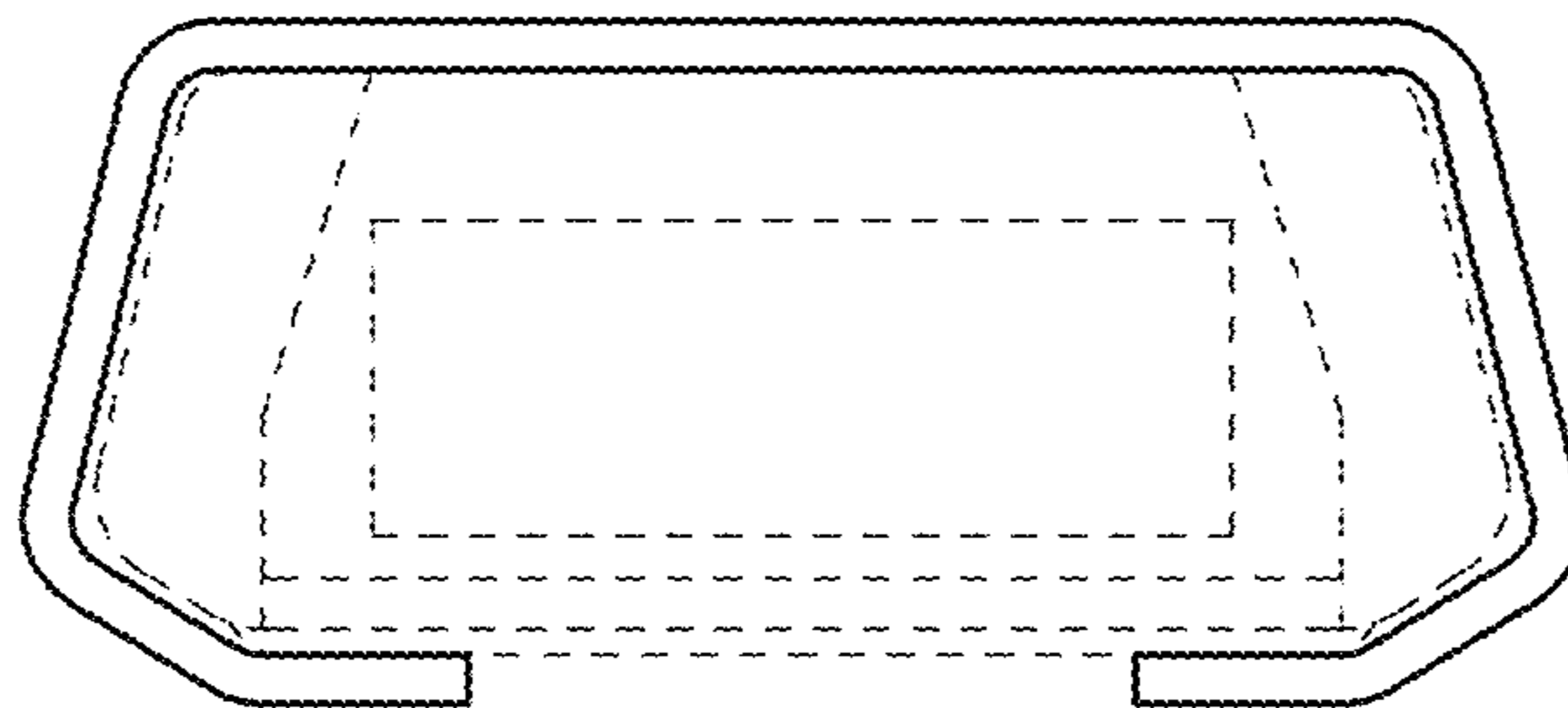


FIG. 10