

US00D949049S

(12) **United States Design Patent** (10) **Patent No.:** **US D949,049 S**  
**Lin** (45) **Date of Patent:** **\*\* Apr. 19, 2022**

(54) **PLANTER**

(71) Applicant: **Jinming Lin**, Guangdong (CN)

(72) Inventor: **Jinming Lin**, Guangdong (CN)

(\*\*) Term: **15 Years**

(21) Appl. No.: **29/769,384**

(22) Filed: **Feb. 4, 2021**

(51) **LOC (13) Cl.** ..... **11-02**

(52) **U.S. Cl.**  
USPC ..... **D11/155**

(58) **Field of Classification Search**  
USPC ..... D11/143–156, 164; D6/403–405,  
D6/556–558; D26/9, 10  
CPC . A01G 9/02; A01G 9/021; A01G 9/04; A01G  
27/003; A01G 31/02; A01G 31/06  
See application file for complete search history.

(56) **References Cited**

**U.S. PATENT DOCUMENTS**

3,142,133	A *	7/1964	Brooks	.....	A01G 9/0295
					47/73
4,236,353	A *	12/1980	Sorenson	.....	A01G 27/04
					47/39
D416,102	S *	11/1999	Schulman	.....	D11/144
D604,196	S *	11/2009	Bissonnette	.....	D11/144
D604,197	S *	11/2009	Bissonnette	.....	D11/144
8,261,486	B2 *	9/2012	Bissonnette	.....	A01G 27/003
					47/59 R
D713,284	S *	9/2014	Prinster	.....	A01G 31/02
					D11/143
D715,182	S	10/2014	Nomura et al.		
D729,115	S *	5/2015	Prinster	.....	D11/144
D760,118	S *	6/2016	Lepp	.....	D11/142
D792,808	S *	7/2017	Verneuil	.....	D11/144
D801,213	S *	10/2017	Kim	.....	D11/155
D888,603	S *	6/2020	Tong	.....	D11/144
10,757,875	B2 *	9/2020	Loiske	.....	A01G 31/02
D899,299	S	10/2020	Craig et al.		

D924,724	S *	7/2021	Li	.....	D11/155
D932,346	S *	10/2021	Song	.....	D11/156
2006/0272210	A1 *	12/2006	Bissonnette	.....	A01G 31/02
					47/69
2008/0282610	A1 *	11/2008	Bissonnette	.....	A01G 7/045
					47/64
2009/0151248	A1 *	6/2009	Bissonnette	.....	A01G 31/02
					47/59 S
2010/0031566	A1 *	2/2010	Azoulay	.....	G07F 11/00
					47/61
2015/0305259	A1 *	10/2015	Galassi	.....	A01G 31/02
					47/62 R
2019/0200541	A1 *	7/2019	Park	.....	A01G 9/042

(Continued)

**OTHER PUBLICATIONS**

Oliz Z206 Smart garden home indoor fiberglass vegetable planters box, manufactured by Shenzhen Kenong Gardening Technology , online on Alibaba.com, 2016.\*

*Primary Examiner* — Elizabeth A. Albert

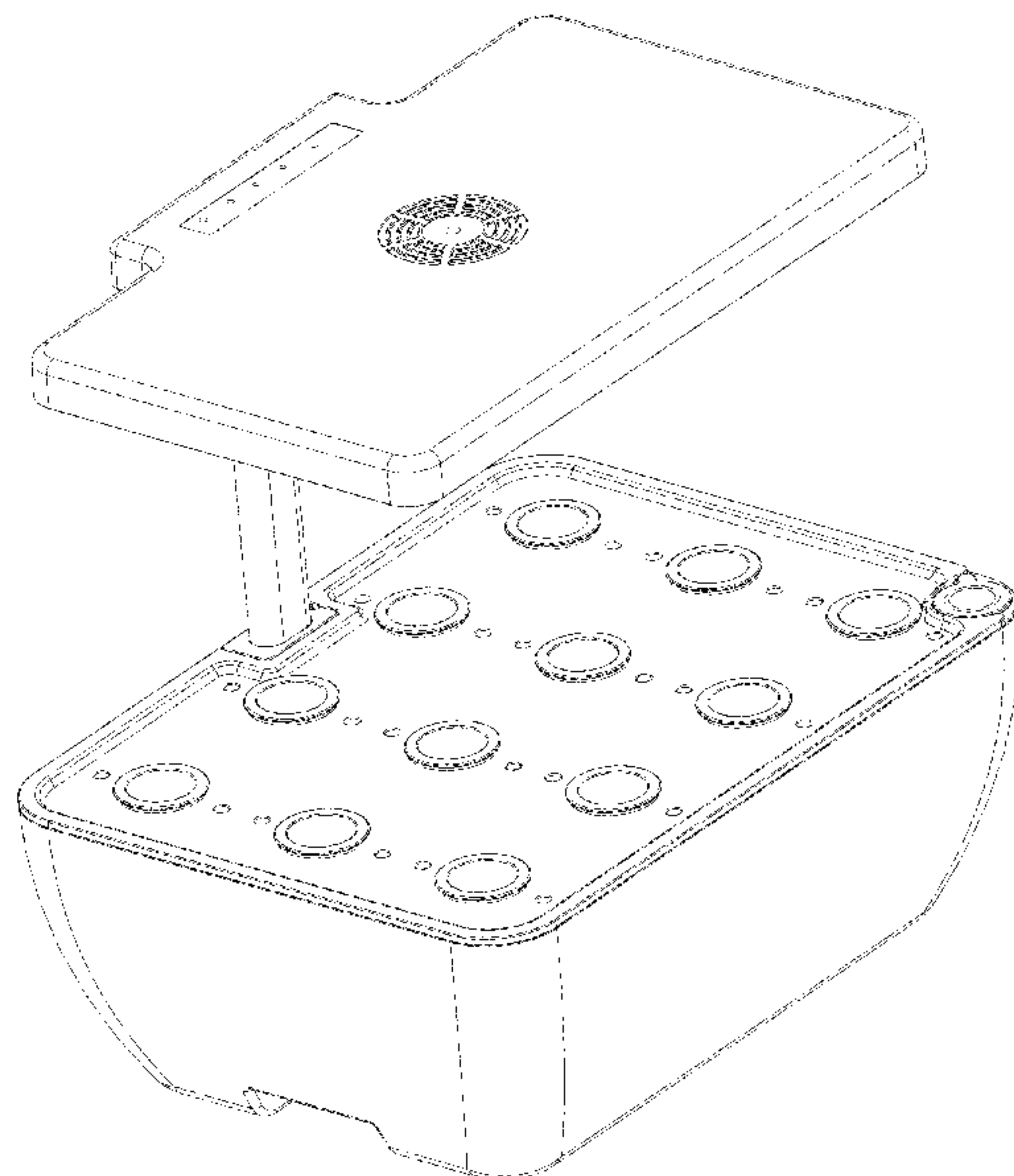
(57) **CLAIM**

The ornamental design for a planter, as shown and described.

**DESCRIPTION**

FIG. 1 is a front elevational view of a planter showing my new design;  
FIG. 2 is a rear elevational view thereof;  
FIG. 3 is a left side view thereof;  
FIG. 4 is a right side view thereof;  
FIG. 5 is a top plan view thereof;  
FIG. 6 is a bottom plan view thereof;  
FIG. 7 is a perspective view thereof;  
FIG. 8 is a second perspective view thereof; and,  
FIG. 9 is third perspective view thereof.  
The broken lines shown in the planter form no part of the claimed design.

**1 Claim, 9 Drawing Sheets**



(56)

**References Cited**

U.S. PATENT DOCUMENTS

2020/0068809 A1\* 3/2020 Ko ..... H05B 47/16  
2021/0068358 A1\* 3/2021 Im ..... A01G 7/045

\* cited by examiner

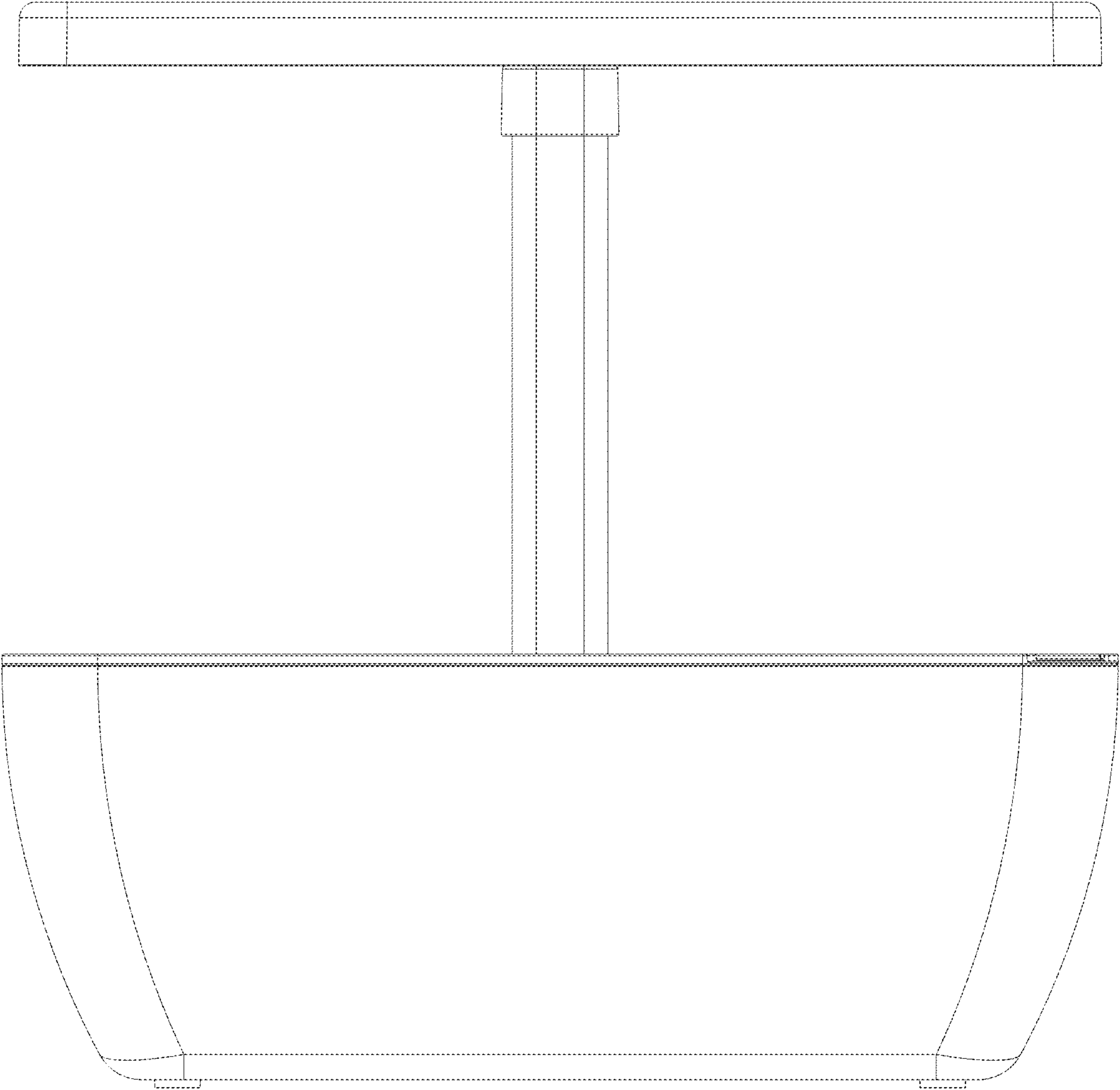


FIG. 1

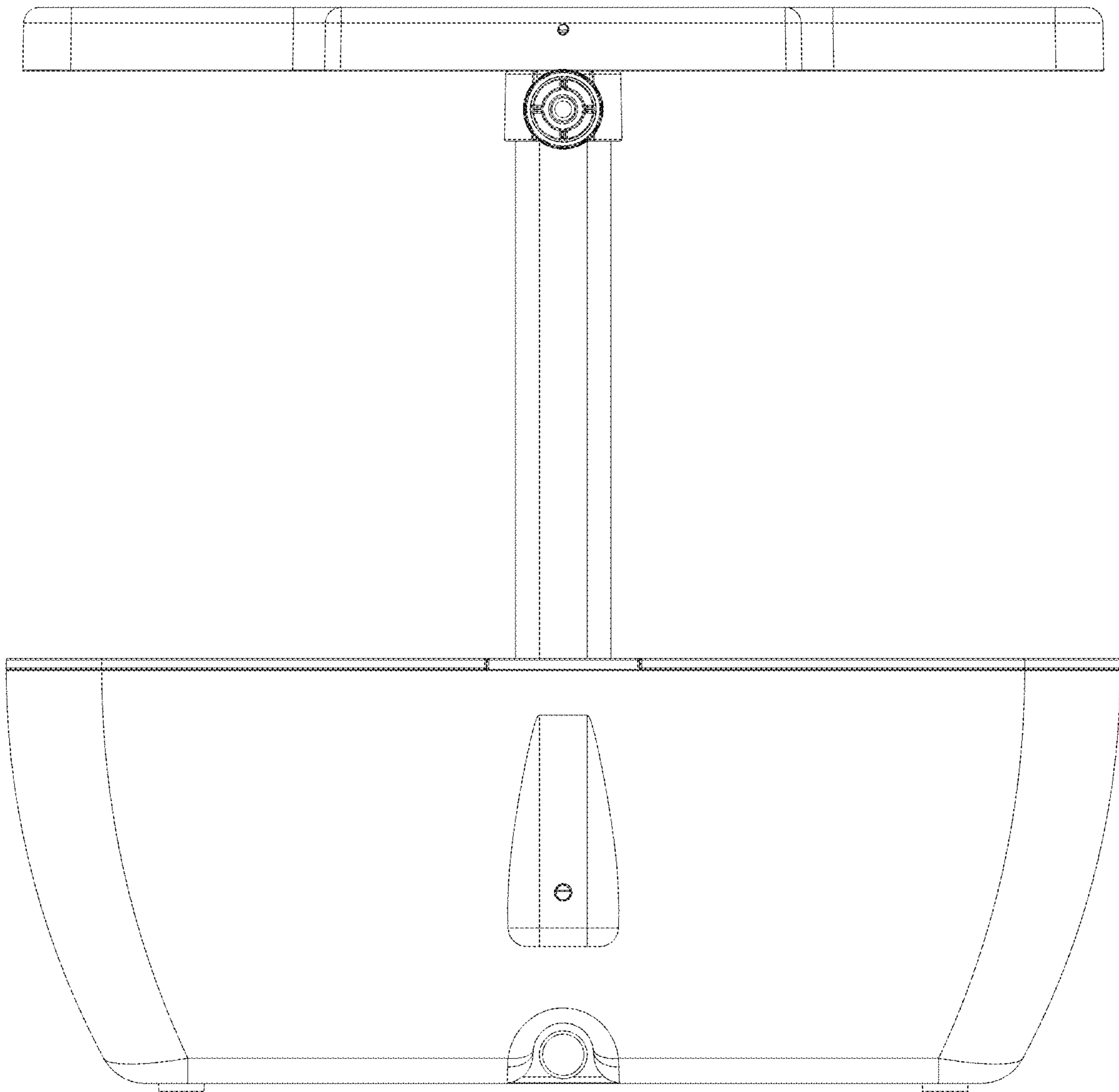


FIG. 2

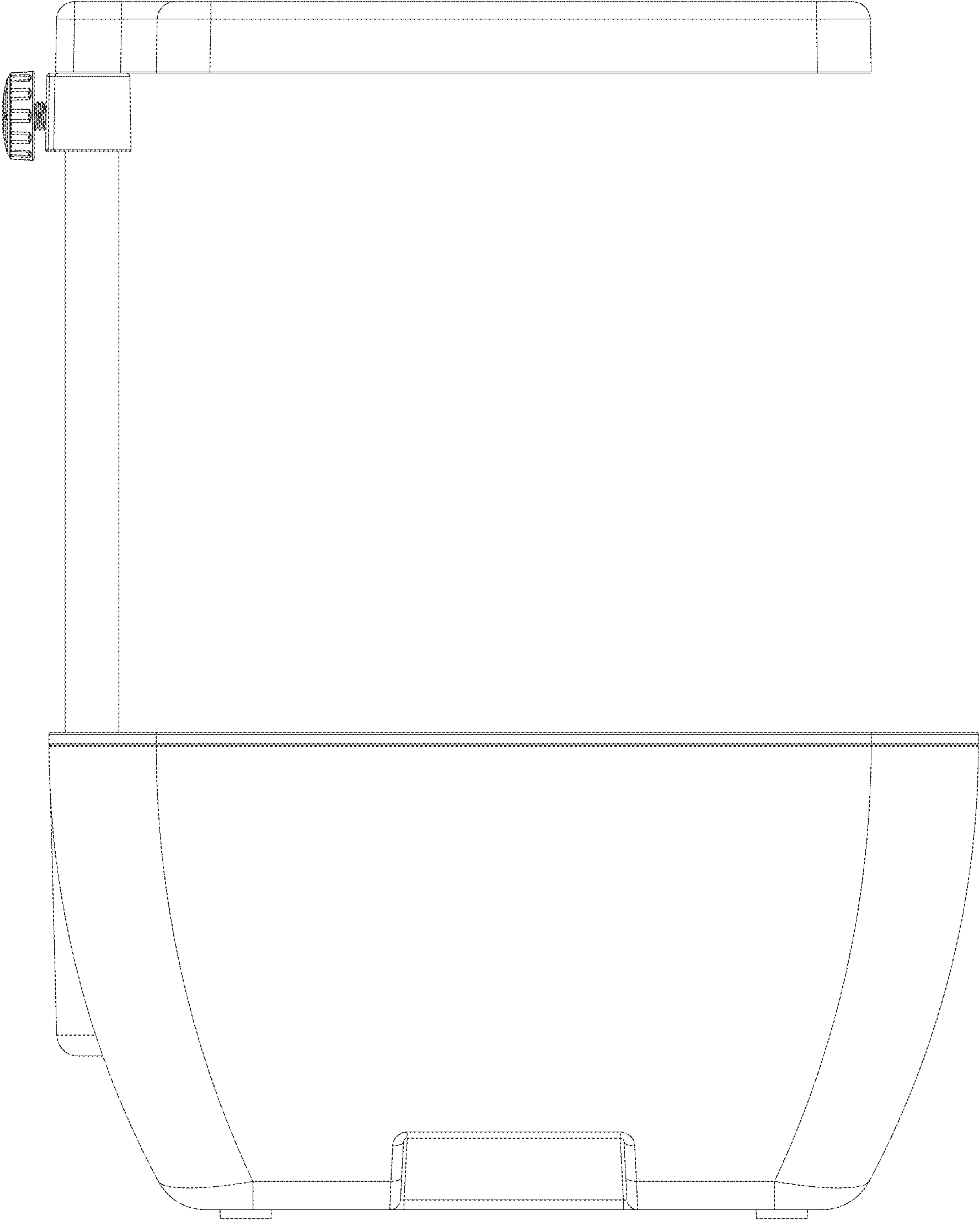


FIG. 3

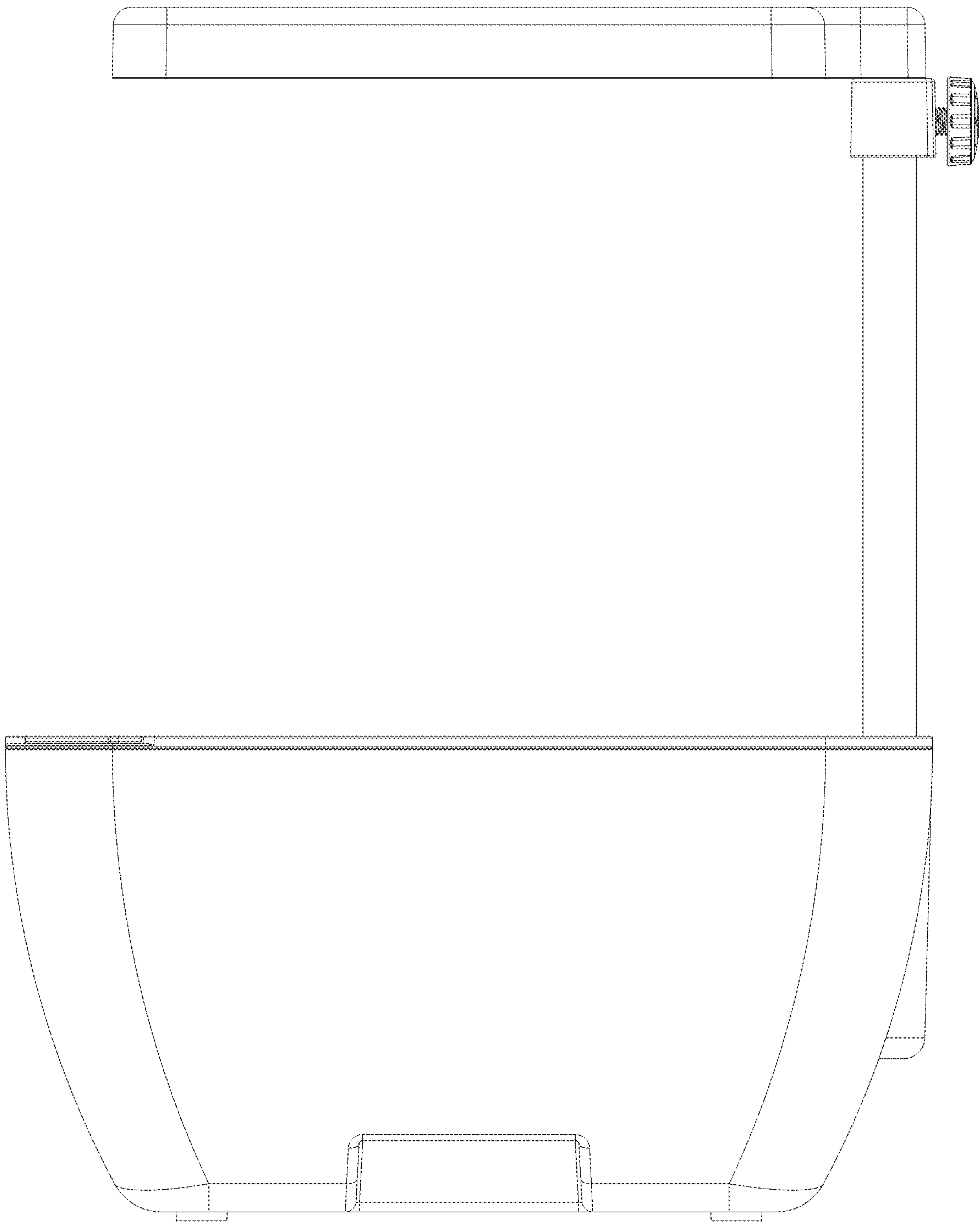


FIG. 4

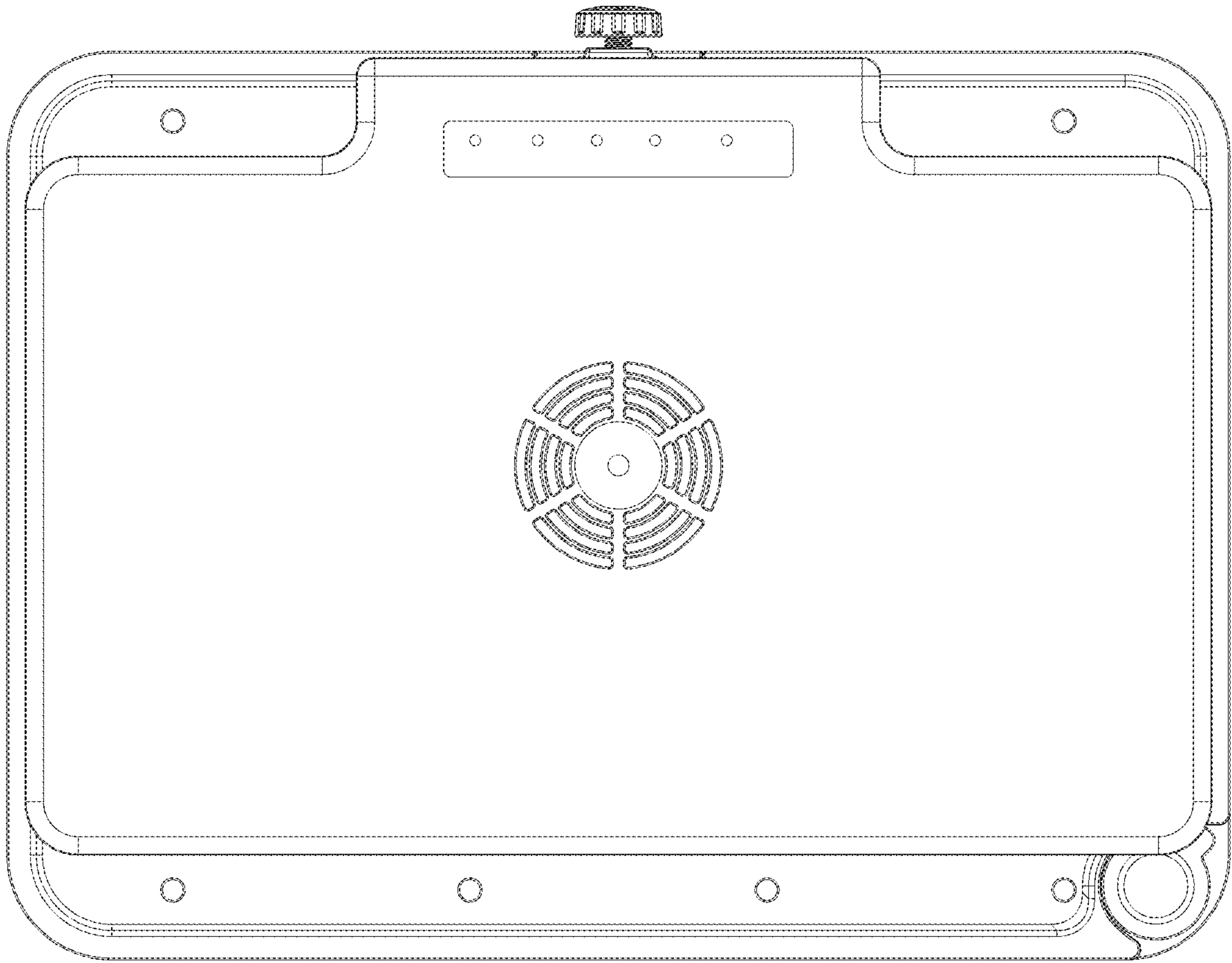


FIG. 5



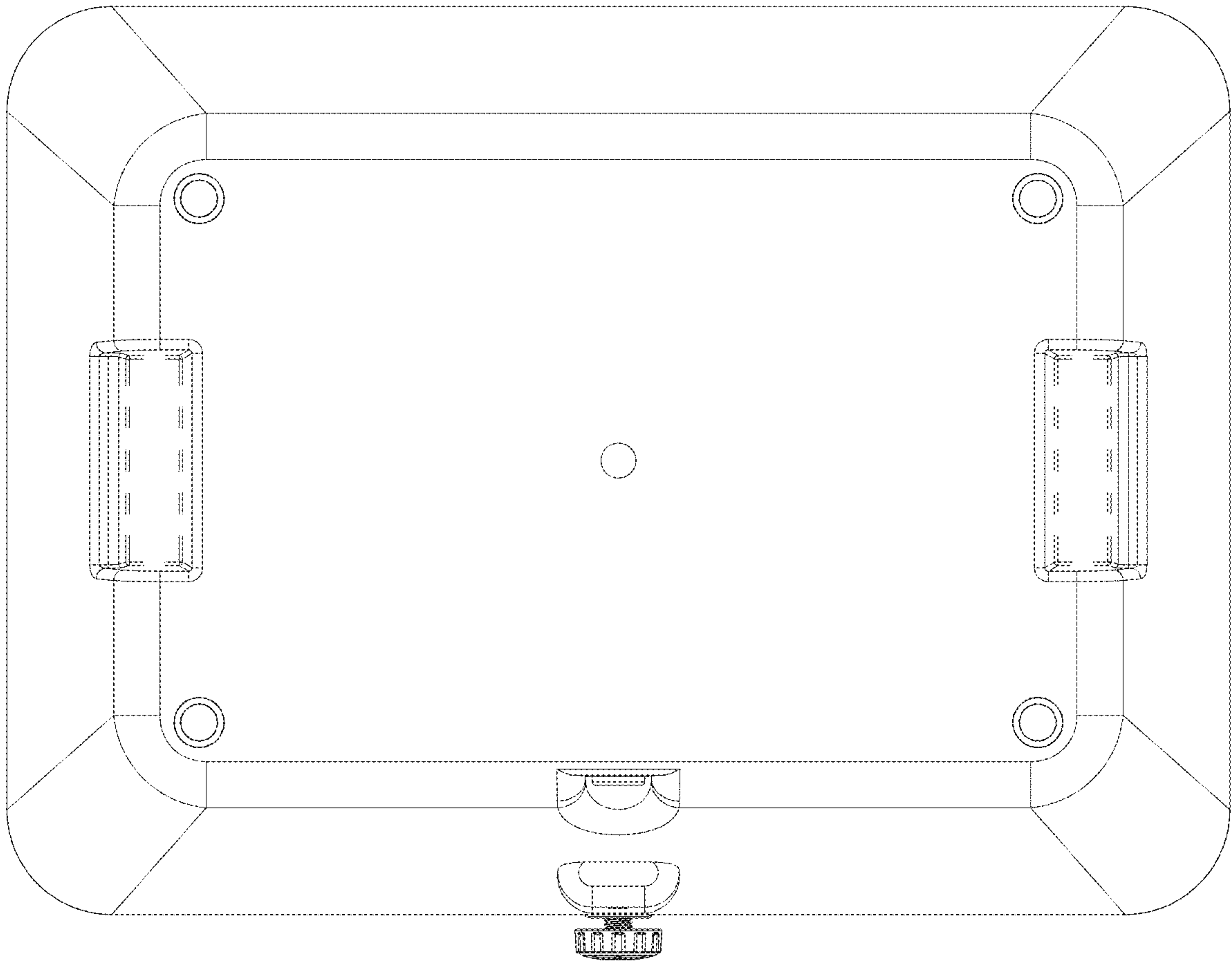


FIG. 6



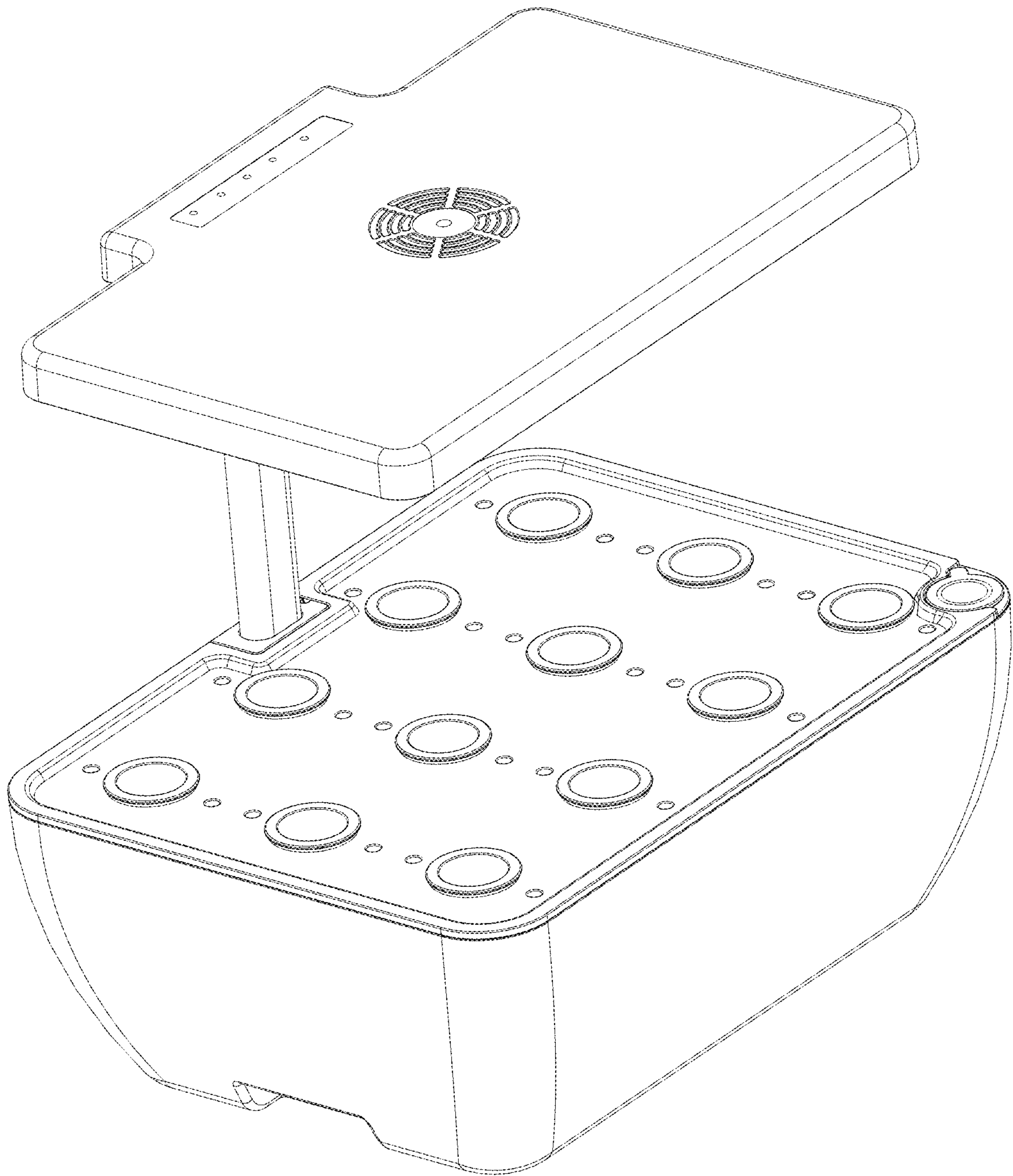


FIG. 7

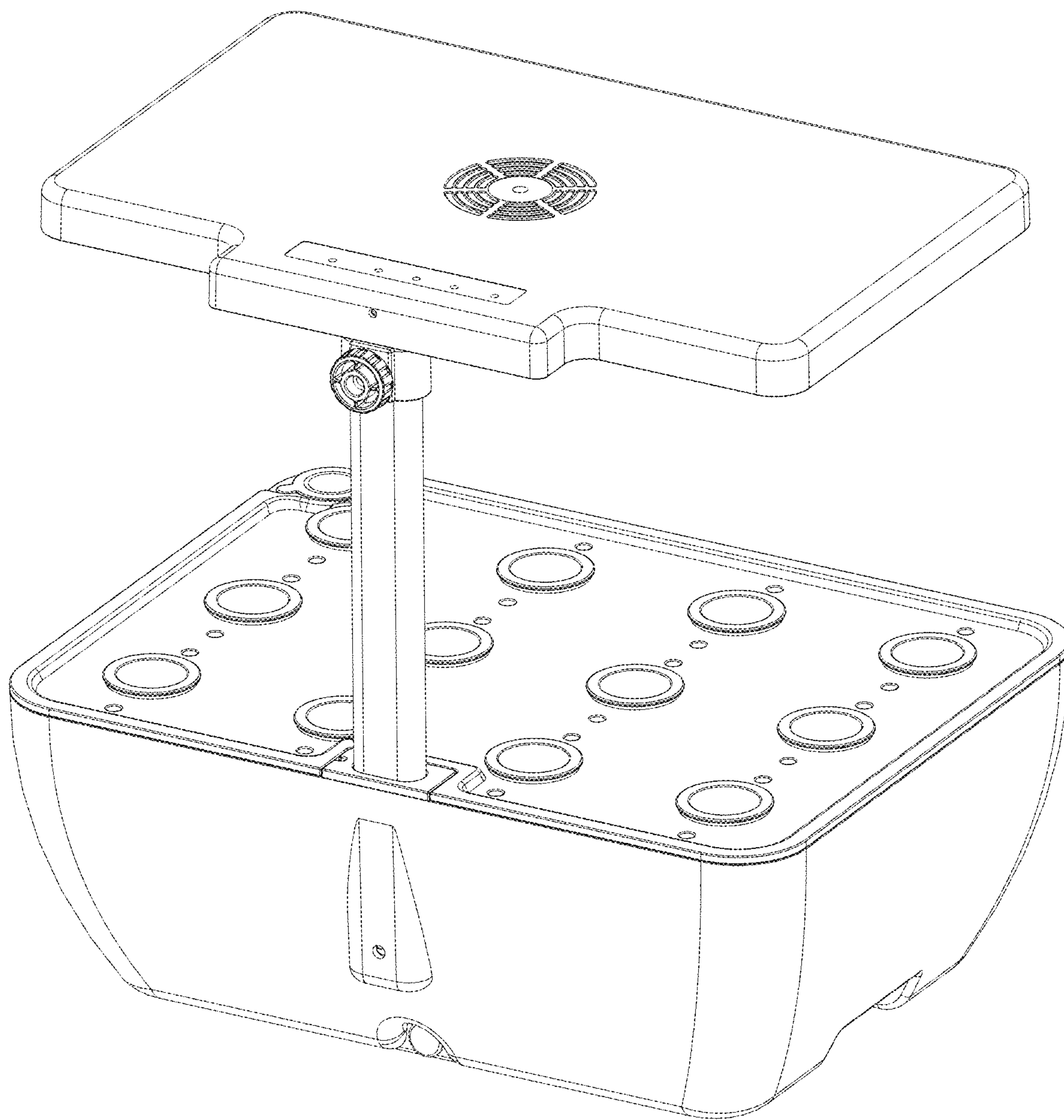


FIG. 8

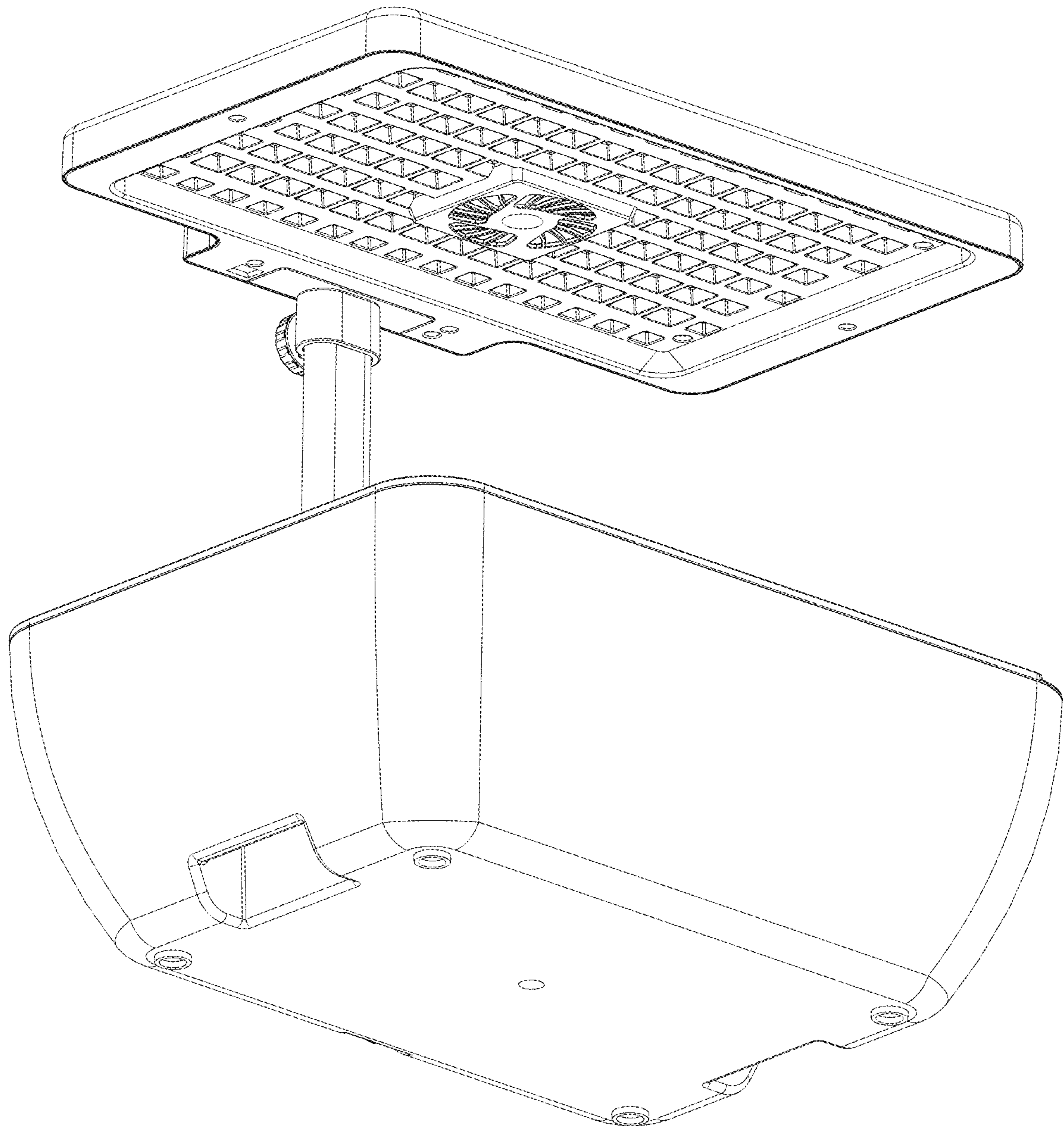


FIG. 9