



US00D949047S

(12) **United States Design Patent**
Gregory

(10) **Patent No.:** **US D949,047 S**

(45) **Date of Patent:** **** Apr. 19, 2022**

(54) **BODY ARMOR COIN**

(71) Applicant: **Louis Gregory**, Southwest Ranches, FL
(US)

(72) Inventor: **Louis Gregory**, Southwest Ranches, FL
(US)

(**) Term: **15 Years**

(21) Appl. No.: **29/780,498**

(22) Filed: **Apr. 25, 2021**

Related U.S. Application Data

(62) Division of application No. 29/744,274, filed on Jul.
28, 2020, now Pat. No. Des. 921,524.

(51) **LOC (13) Cl.** **11-03**

(52) **U.S. Cl.**
USPC **D11/95**

(58) **Field of Classification Search**
USPC D11/47, 51, 79, 95, 97-100, 108, 109,
D11/132; D2/828, 829; D8/38;
D29/101.4
CPC A41D 13/00; F41H 1/02
See application file for complete search history.

(56) **References Cited**

U.S. PATENT DOCUMENTS

D285,293 S *	8/1986	Breyer-Lindner	D11/125
D504,290 S *	4/2005	Lockhart	D8/38
D506,159 S *	6/2005	Gould	D11/109
D674,674 S *	1/2013	Meulendijks	D8/38
D796,375 S *	9/2017	DeNunzio	D11/99
D799,163 S *	10/2017	Greene	D2/829

D829,998 S *	10/2018	Groat	D29/101.4
D846,428 S *	4/2019	Funk	D11/95
D878,240 S *	3/2020	Osborne	D11/95
D880,073 S *	3/2020	Groat	D29/101.4
D883,577 S *	5/2020	Neal	D29/101.3
D921,524 S *	6/2021	Gregory	D11/95
2011/0061522 A1 *	3/2011	Jarrett	F41H 5/0485 89/36.02

* cited by examiner

Primary Examiner — John A Voytek

(74) *Attorney, Agent, or Firm* — Nancy J. Flint, Attorney
At Law, P.A.; Nancy J. Flint, Esq.

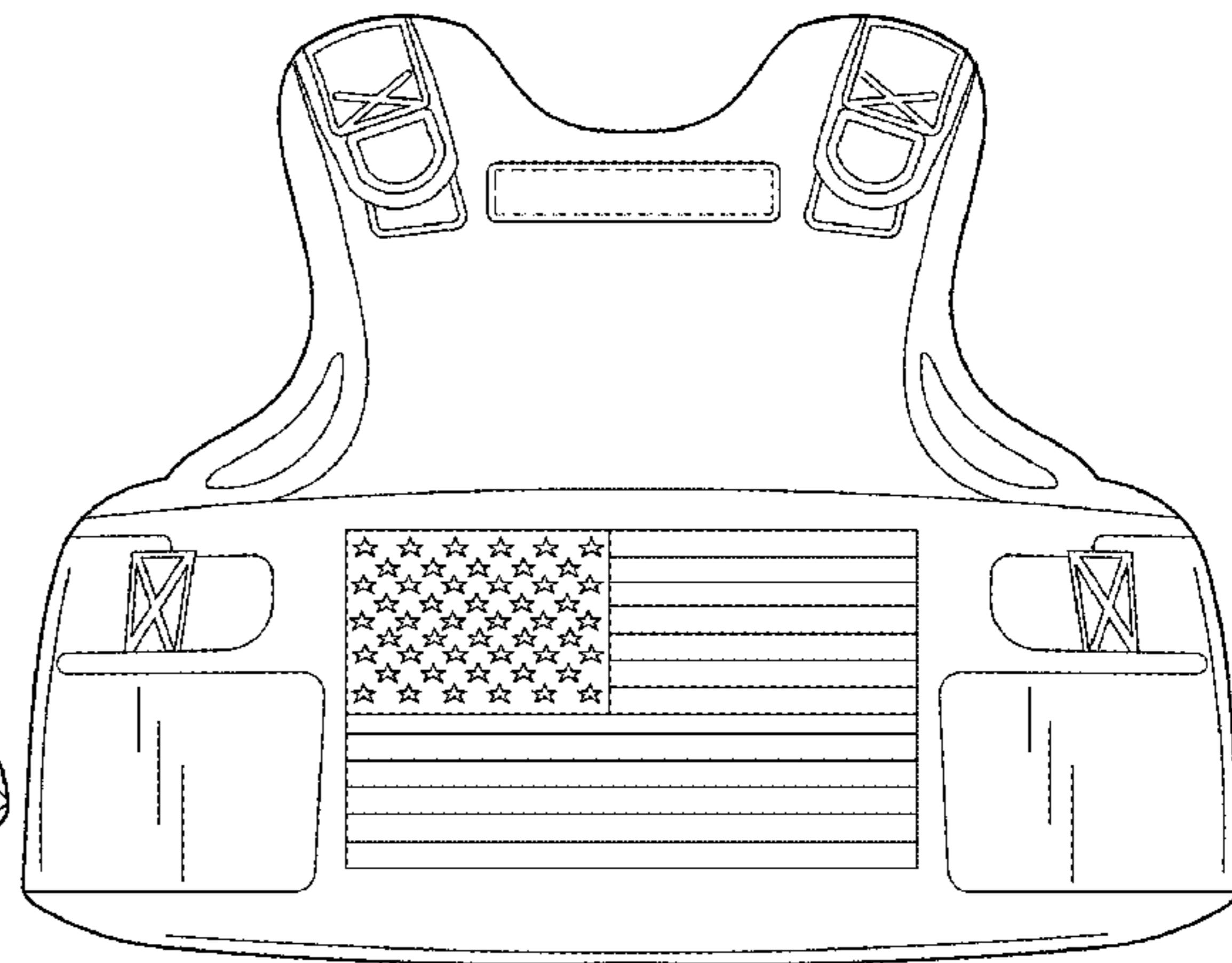
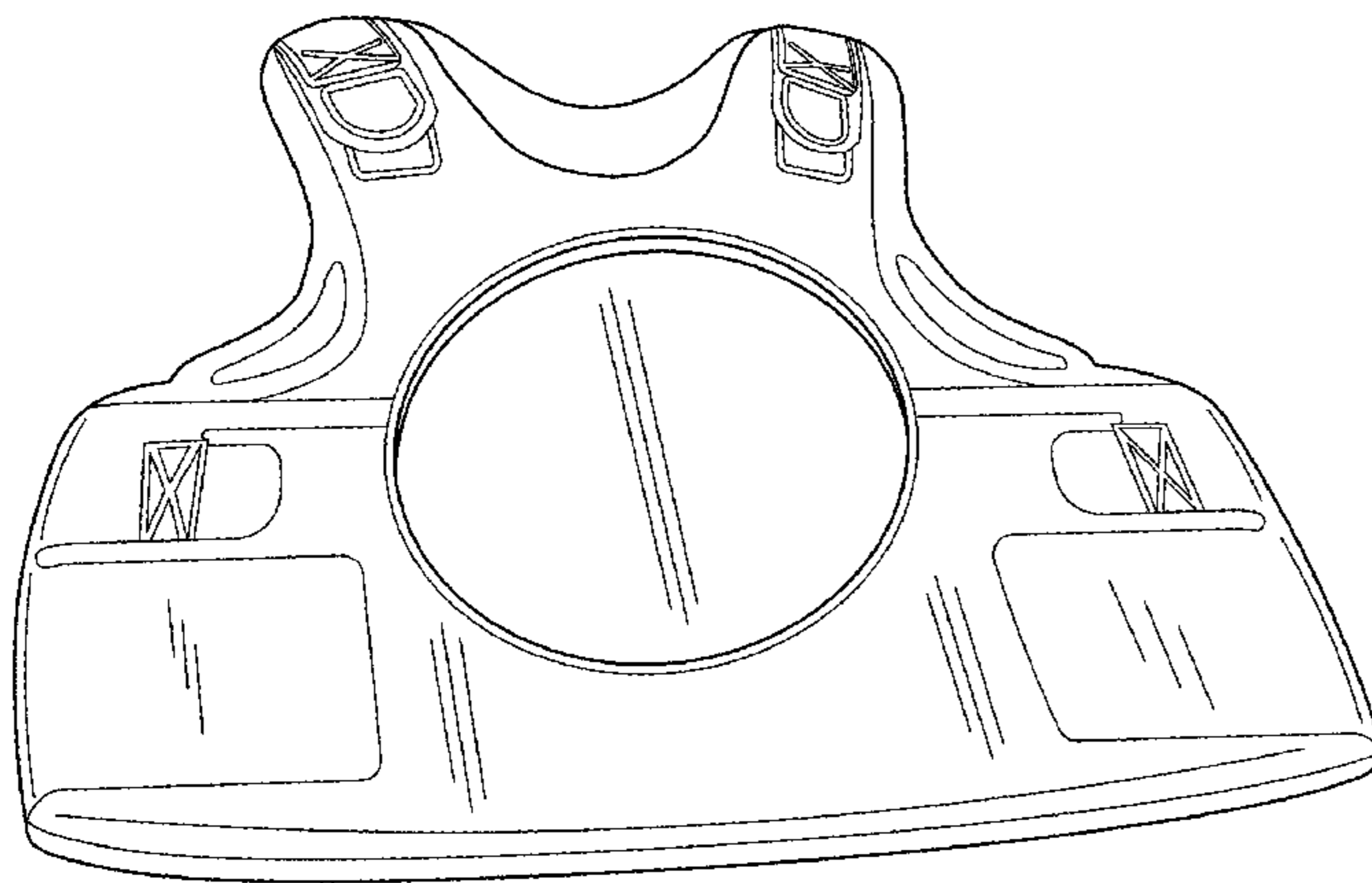
(57) **CLAIM**

The ornamental design for a body armor coin, as shown and
described.

DESCRIPTION

FIG. 1 is a front perspective view of a body armor coin
showing my new design;
FIG. 2 is a top view of the body armor coin;
FIG. 3 is a front view of the body armor coin;
FIG. 4 is a bottom view of the body armor coin;
FIG. 5 is a cross-section view along line 5-5 of FIG. 3 of the
body armor coin;
FIG. 6 a cross-section view along line 6-6 of FIG. 3 of the
body armor coin;
FIG. 7 is a rear view of the body armor coin;
FIG. 8 is a left side view of the body armor coin; and,
FIG. 9 is a cross-section view along line 9-9 of FIG. 3 of the
body armor coin.
Right side view not shown is a mirror image of left side
view. Broken lines in FIG. 7 depicts unclaimed portions of
the body armor coin that form no part of the claim.

1 Claim, 4 Drawing Sheets



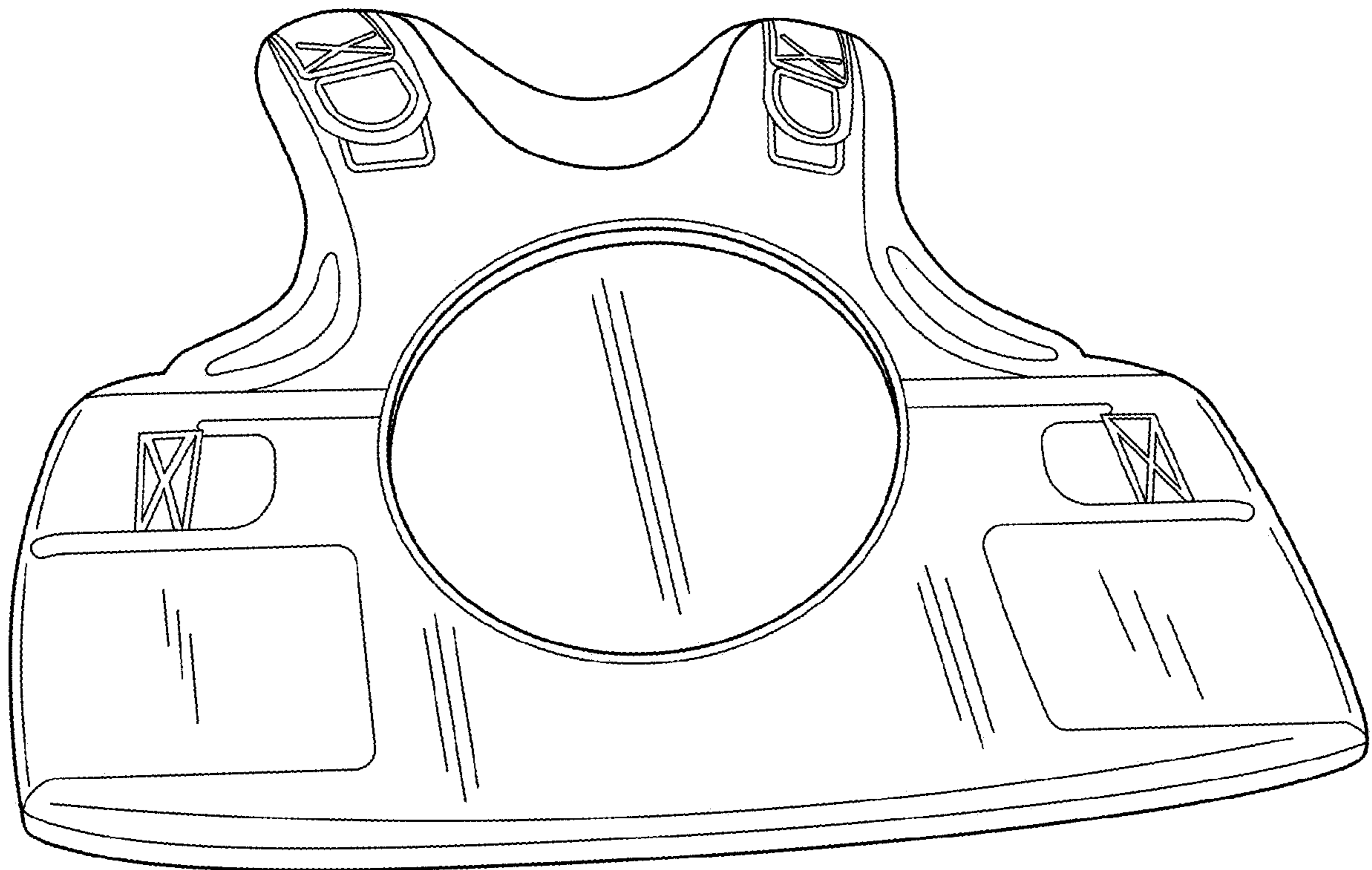


FIG. 1

FIG. 2

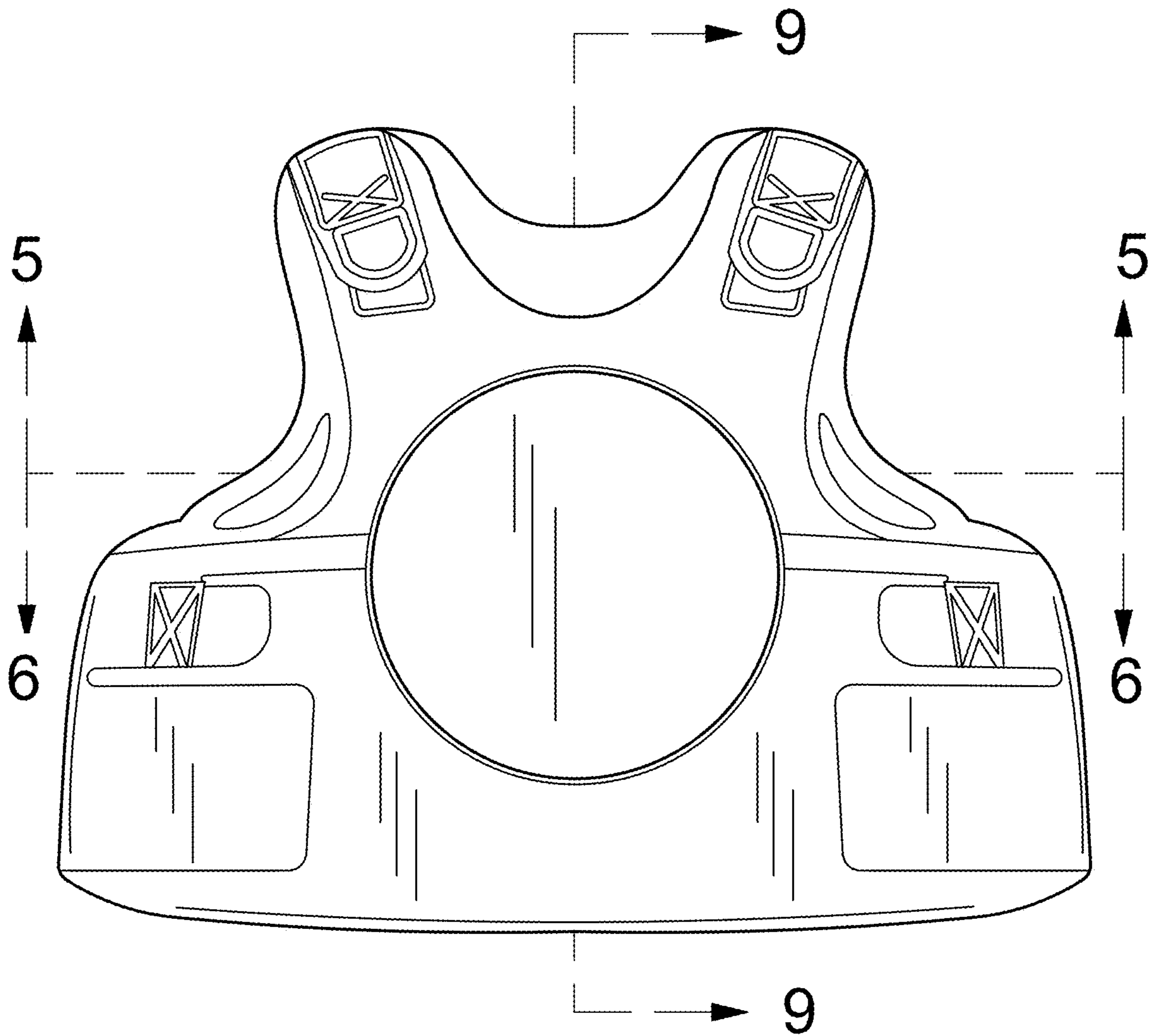


FIG. 3

FIG. 4

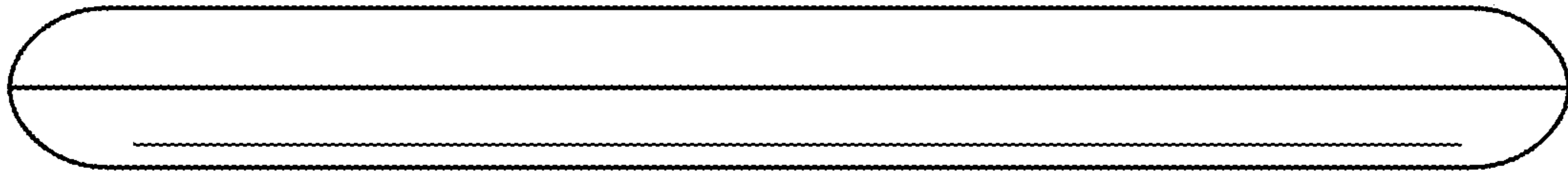


FIG. 5

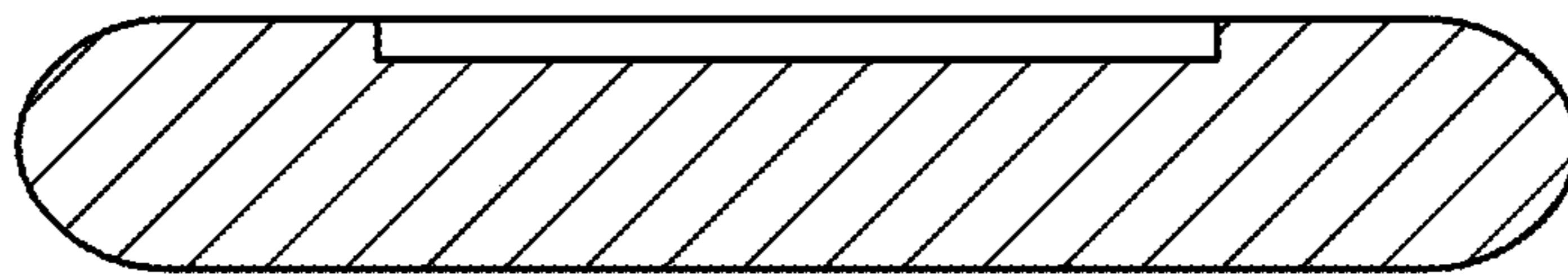
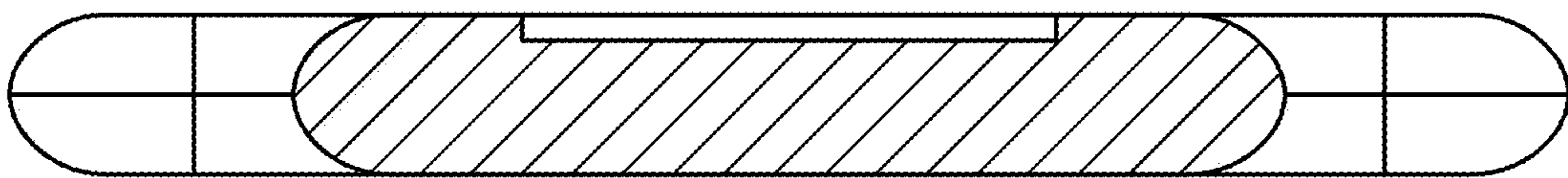


FIG. 6



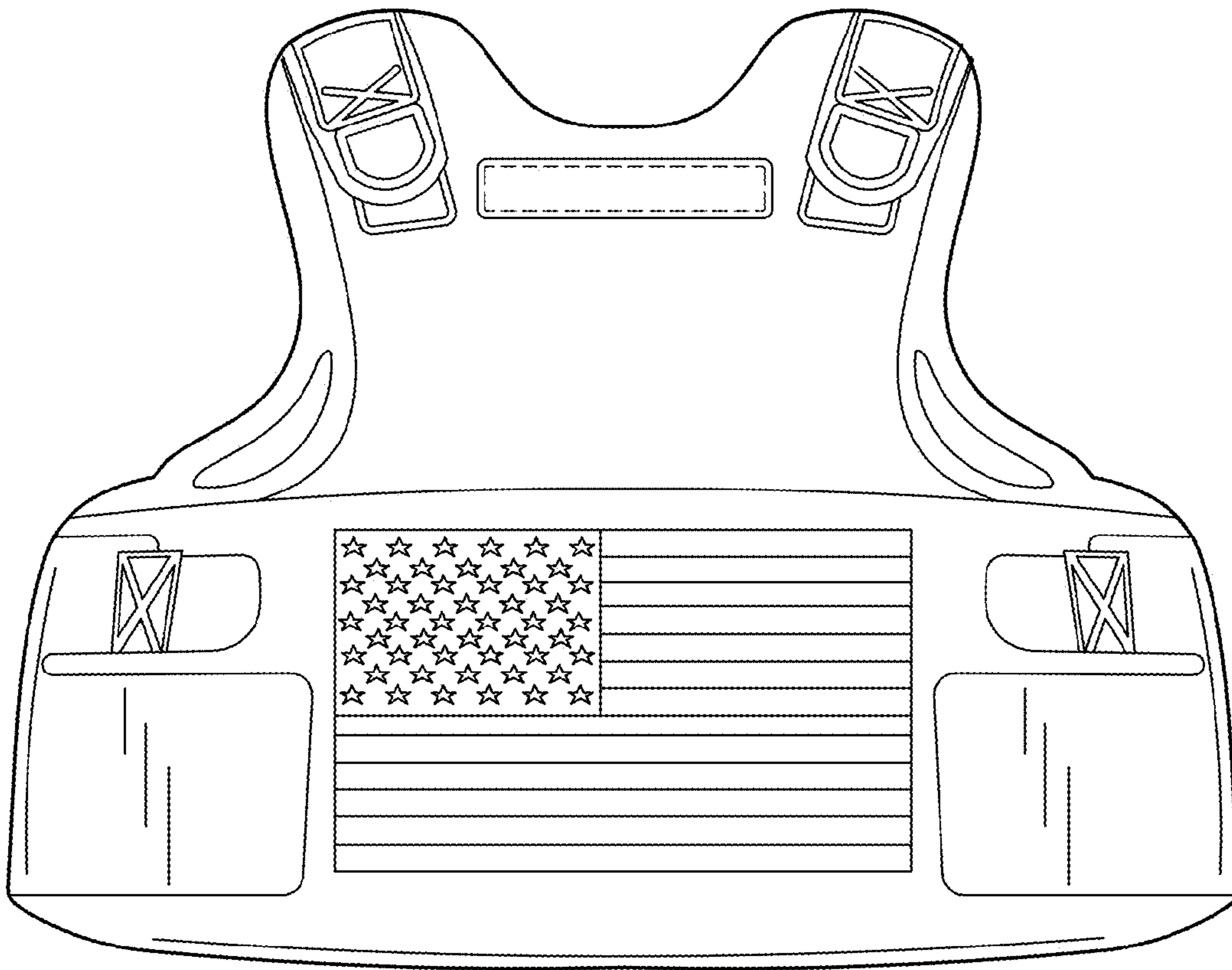


FIG. 7

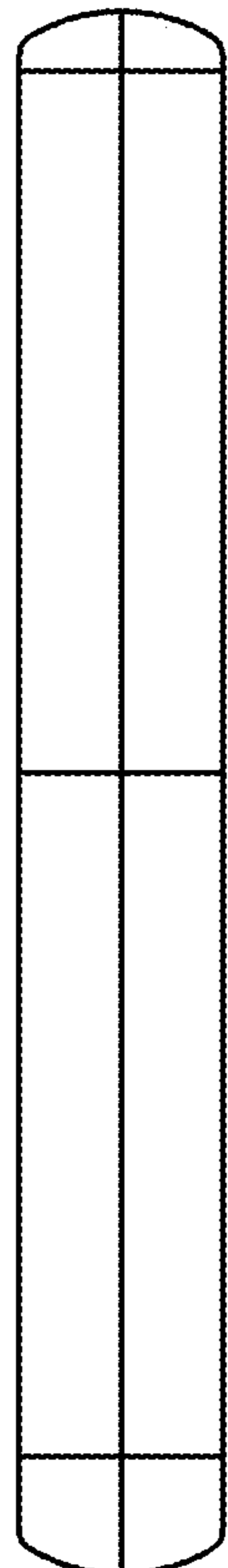


FIG. 8

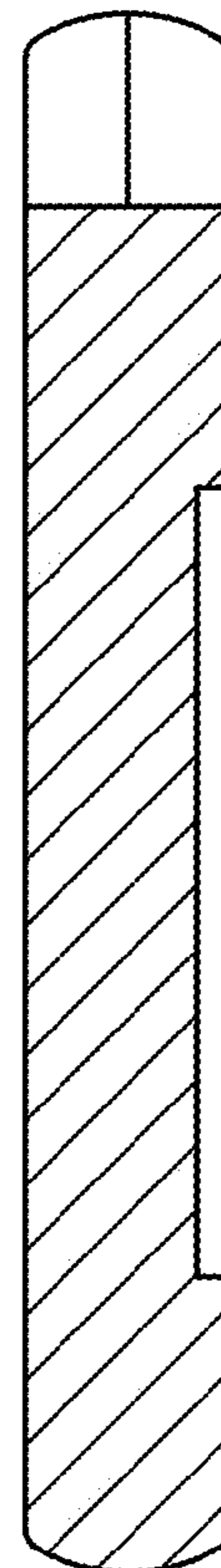


FIG. 9