



US00D949046S

(12) **United States Design Patent**  
**Wu**

(10) **Patent No.:** **US D949,046 S**  
(45) **Date of Patent:** **\*\* Apr. 19, 2022**

- (54) **WATCH STRAP BUCKLE**
- (71) Applicant: **Lin Wu**, Xianfeng County (CN)
- (72) Inventor: **Lin Wu**, Xianfeng County (CN)
- (\*\*) Term: **15 Years**
- (21) Appl. No.: **29/794,182**
- (22) Filed: **Jun. 10, 2021**
- (51) **LOC (13) Cl.** ..... **11-01**
- (52) **U.S. Cl.**  
USPC ..... **D11/94**
- (58) **Field of Classification Search**  
USPC ..... D11/3, 87, 88, 200, 210, 212, 214, 215,  
D11/216, 218, 231-241, 94; D10/32;  
D14/344; D24/186  
CPC ..... A44B 11/00; A44B 11/001; A44B 11/006;  
A44B 11/008; A44B 11/06; A44B 11/065;  
A44B 11/16; A44B 11/20; A44B 11/22;  
A44B 11/223; A44B 11/24; A44B 11/25;  
A44C 5/00; A44C 5/14; A44C 5/18;  
A44C 5/20; A44C 5/185; A44C 5/2071  
See application file for complete search history.

(56) **References Cited**

**U.S. PATENT DOCUMENTS**

D24,399 S *	6/1895	Hayden	.....	D11/218
1,055,008 A *	3/1913	Wright	.....	A44B 11/10 D11/218
D45,760 S *	5/1914	Miller	.....	D11/231
D45,818 S *	5/1914	Reynolds	.....	D11/231
D435,468 S	12/2000	Jones		
D611,383 S	3/2010	Wolfgang		
D731,919 S *	6/2015	Kung	.....	D11/218
D731,920 S *	6/2015	Kung	.....	D11/218
D741,148 S *	10/2015	Liu	.....	D11/218
D753,020 S *	4/2016	Monachon	.....	A44B 11/10 D11/231
D775,127 S	12/2016	Strubi et al.		
D780,059 S *	2/2017	Akana	.....	F41B 5/1469 D11/94
D782,358 S *	3/2017	Akana	.....	D11/94

D800,593 S 10/2017 Ling et al.  
D826,744 S 8/2018 Liu  
D826,745 S 8/2018 Liu  
(Continued)

**FOREIGN PATENT DOCUMENTS**

CN 215124969 U \* 12/2021 ..... A44C 5/20

**OTHER PUBLICATIONS**

Amazon Rembyga, Aug. 16, 2021, [online], [site visited Jan. 29, 2022]. Retrieved from url:https://www.amazon.co.uk/Rembyga-Silicon-Modern-Magnetic-Compatible/dp/B09CPSL9XQ/ (Year: 2021).\*

*Primary Examiner* — Tracey J Bell  
(74) *Attorney, Agent, or Firm* — Chun-Ming Shih;  
Lanway IPR Services

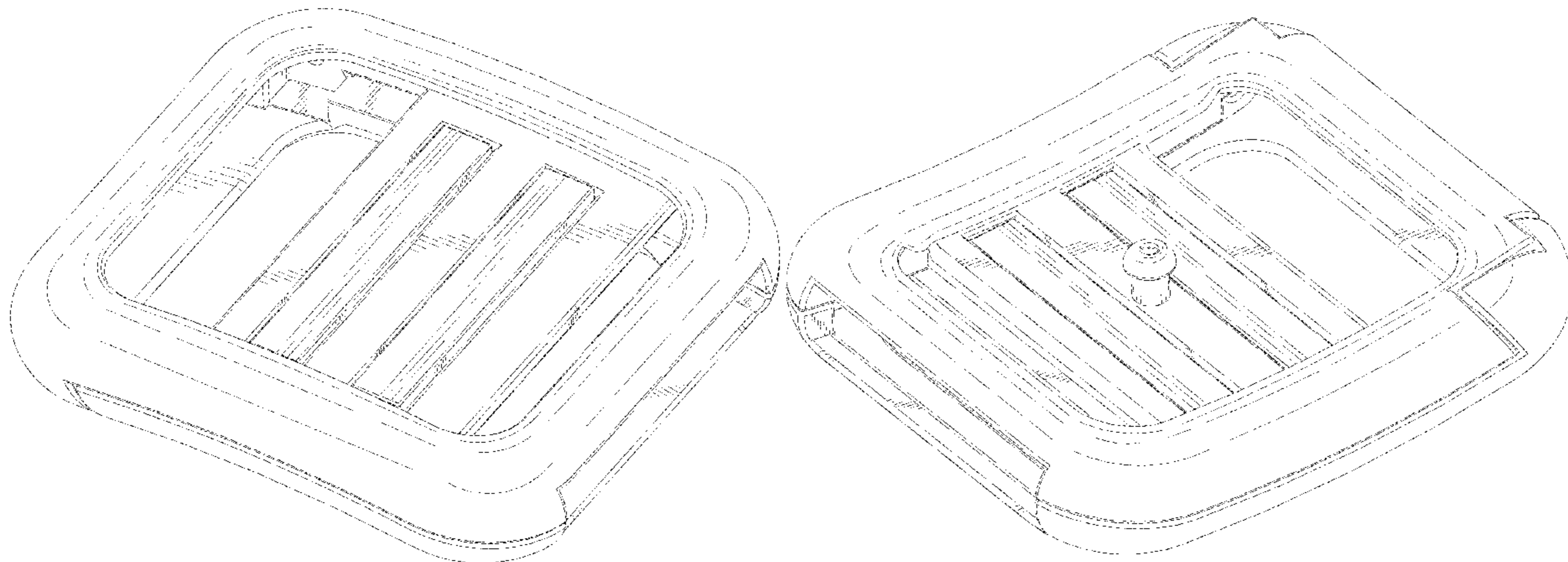
(57) **CLAIM**

The ornamental design for a watch strap buckle, as shown and described.

**DESCRIPTION**

FIG. 1 is a front perspective view of a watch strap buckle showing the new design;  
FIG. 2 is a bottom perspective view thereof;  
FIG. 3 is a front view thereof;  
FIG. 4 is a back view thereof;  
FIG. 5 is a left side view thereof;  
FIG. 6 is a right side view thereof;  
FIG. 7 is a top view thereof;  
FIG. 8 is a bottom view thereof;  
FIG. 9 is an enlarged perspective view of a portion marked 9 in “FIG. 4”;  
FIG. 10 is an enlarged perspective view of a portion marked 10 in “FIG. 5”; and,  
FIG. 11 is an enlarged perspective view of a portion marked 11 in “FIG. 6”.

**1 Claim, 11 Drawing Sheets**



(56)

**References Cited**

U.S. PATENT DOCUMENTS

D848,889 S 5/2019 Pento et al.  
D871,249 S \* 12/2019 Deng ..... D11/94  
2013/0092139 A1\* 4/2013 Summers ..... F41B 5/1469  
24/612

\* cited by examiner

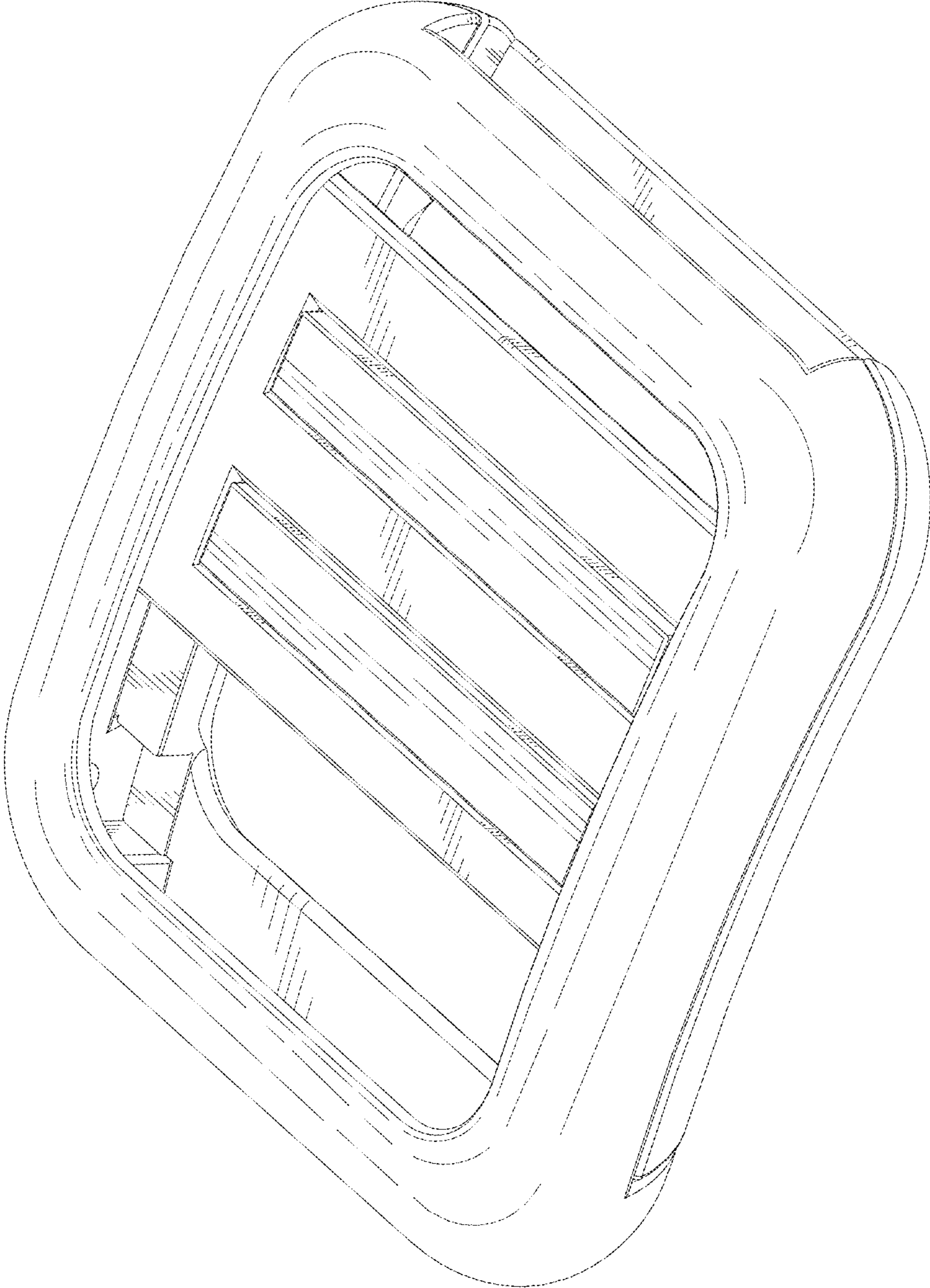


FIG. 1



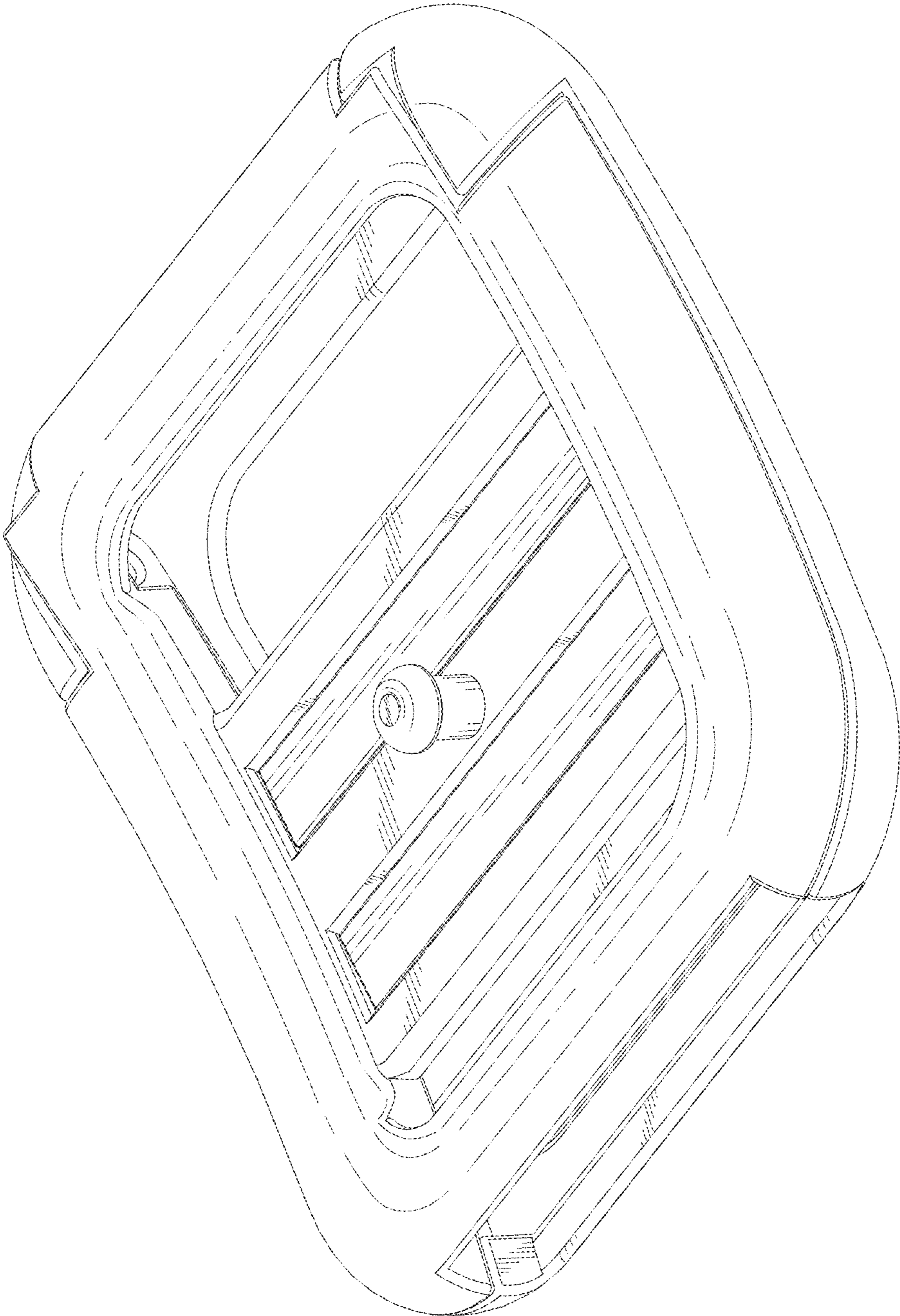


FIG. 2

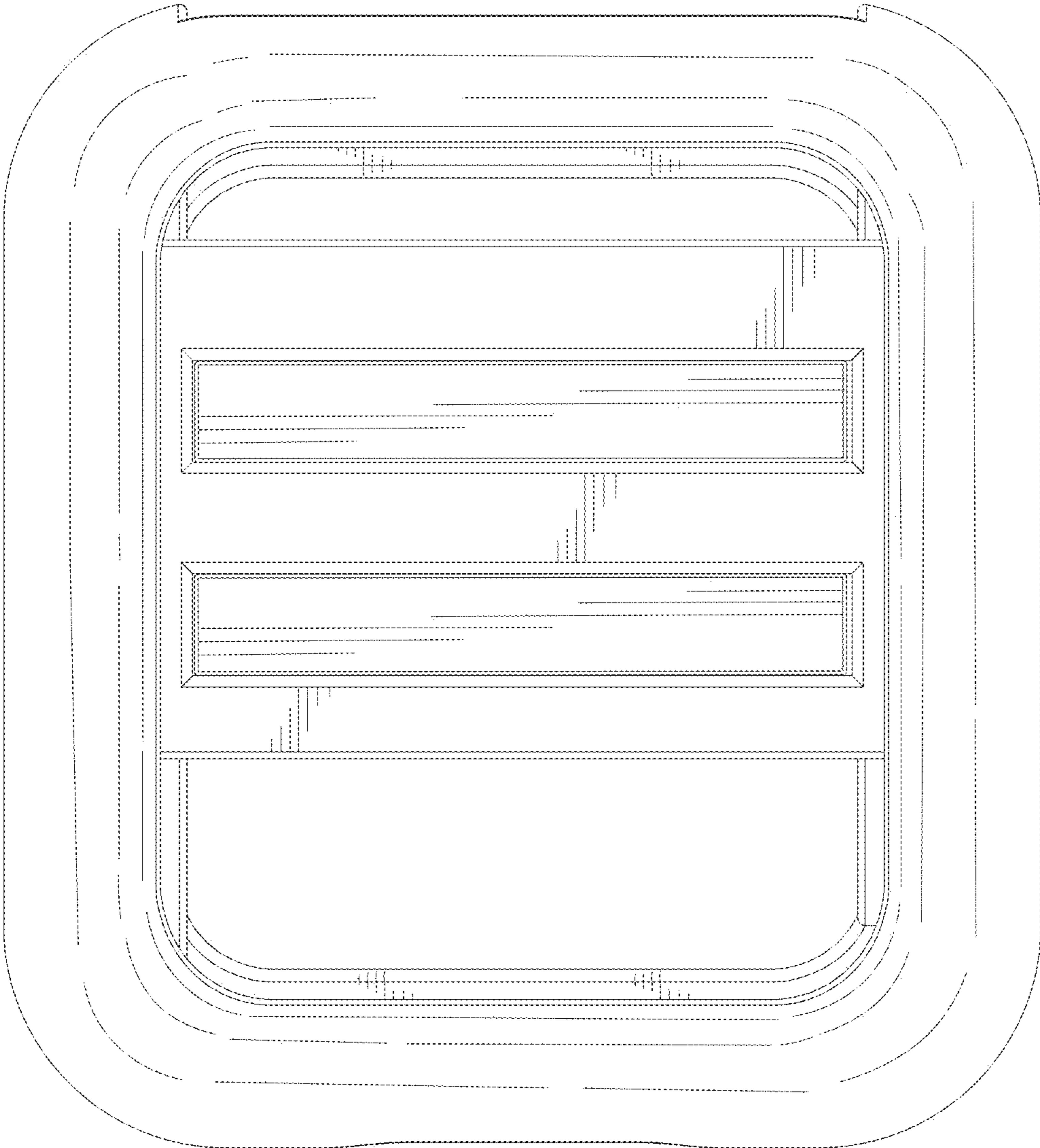


FIG. 3

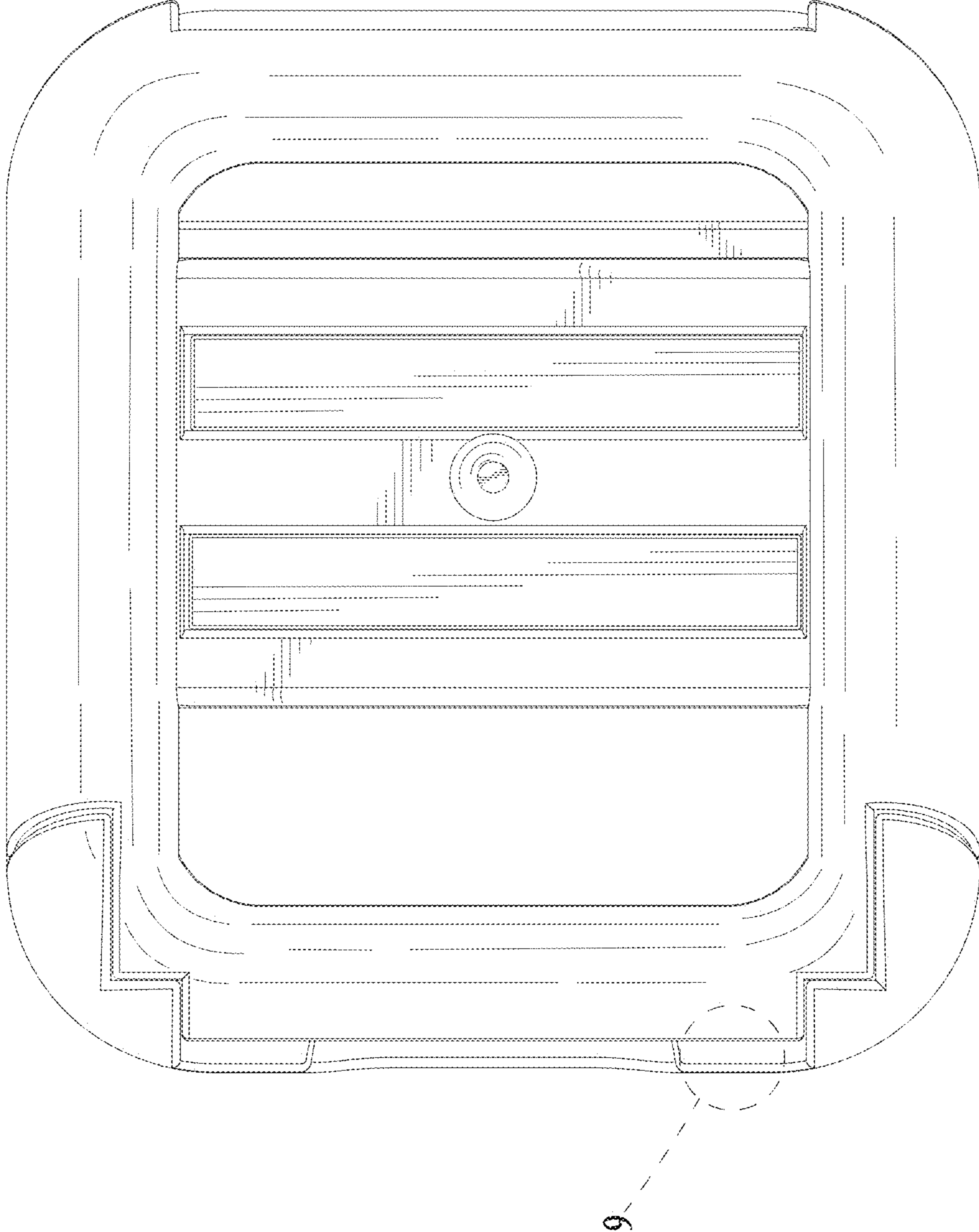


FIG. 4

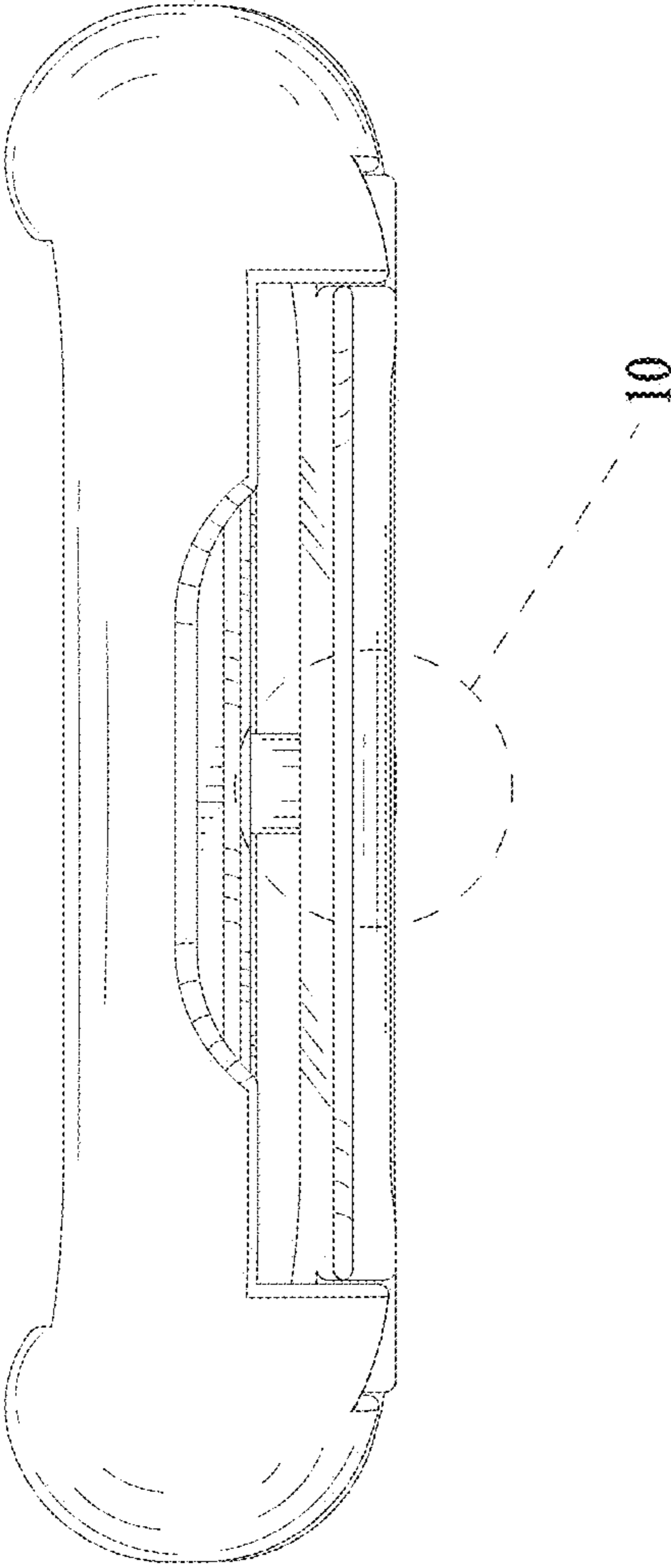


FIG. 5

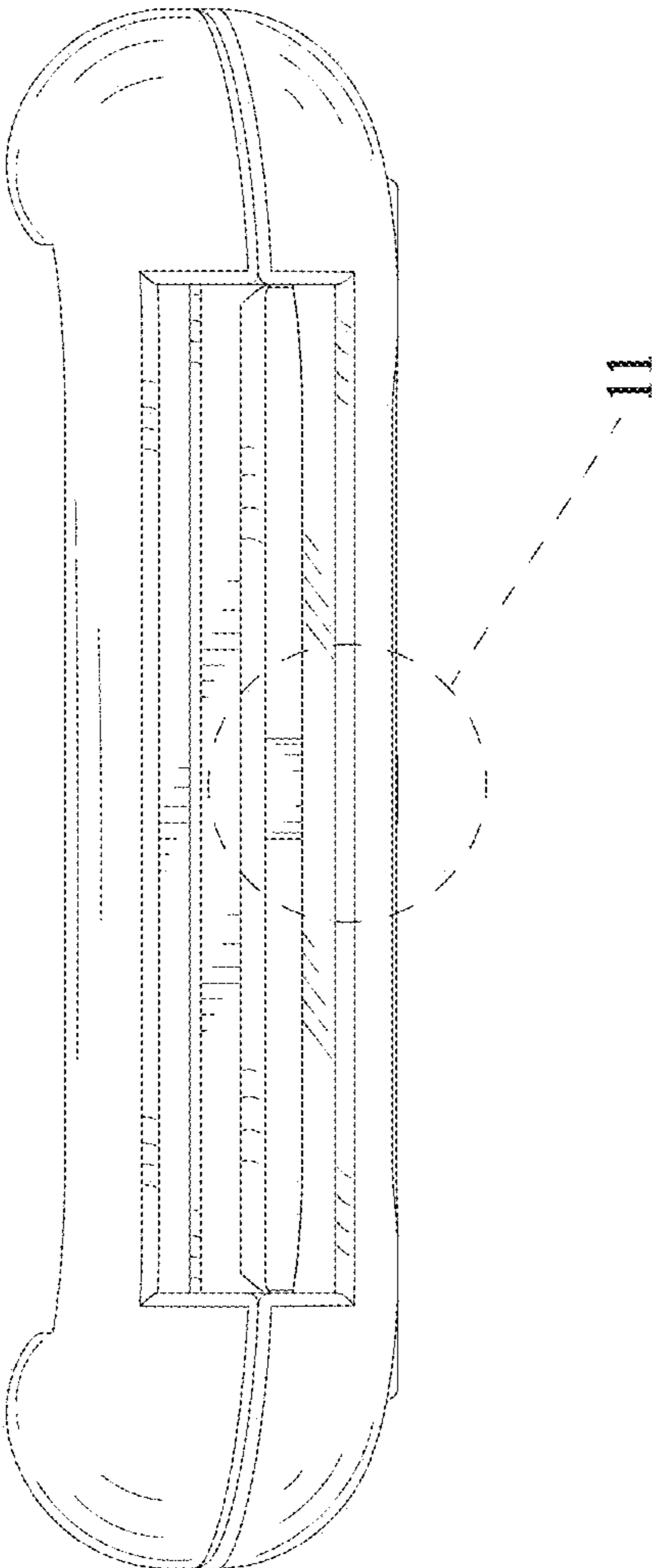


FIG. 6



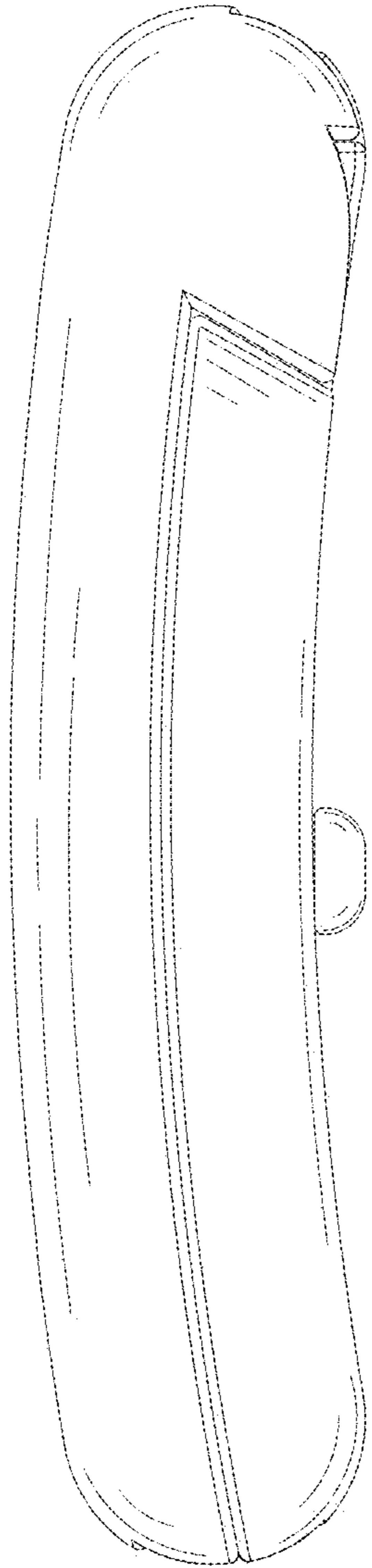


FIG. 7

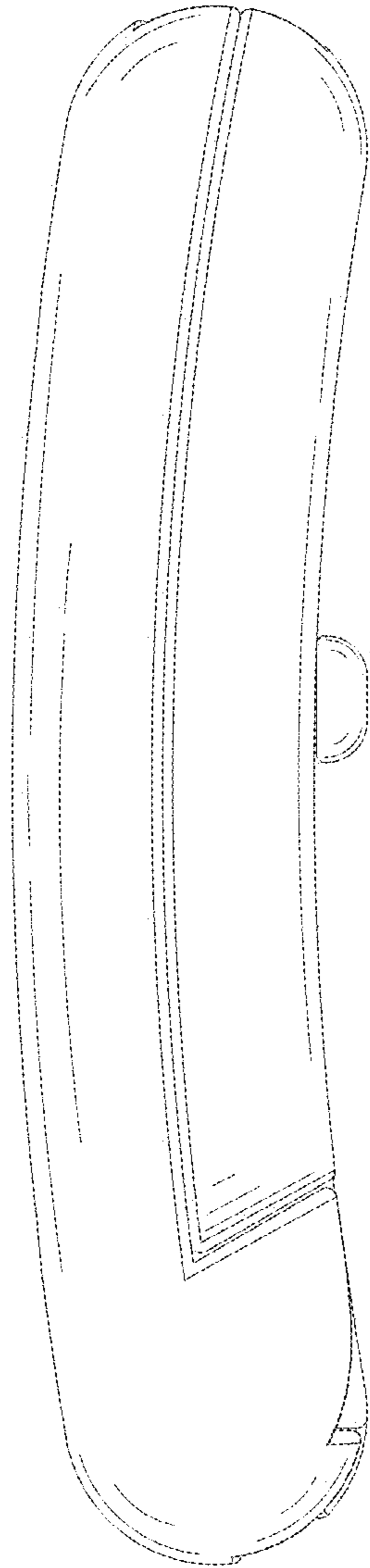


FIG. 8

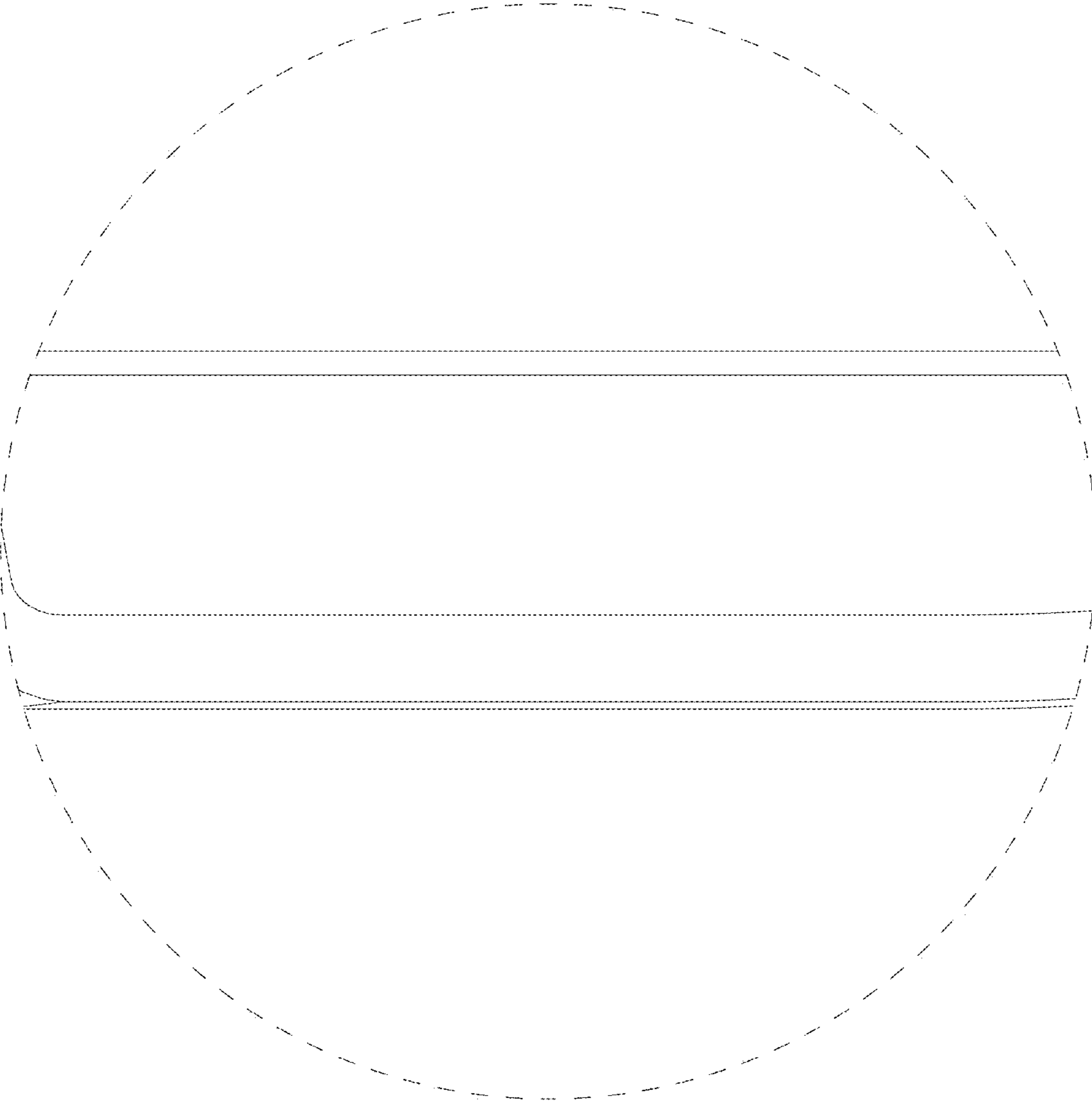


FIG. 9

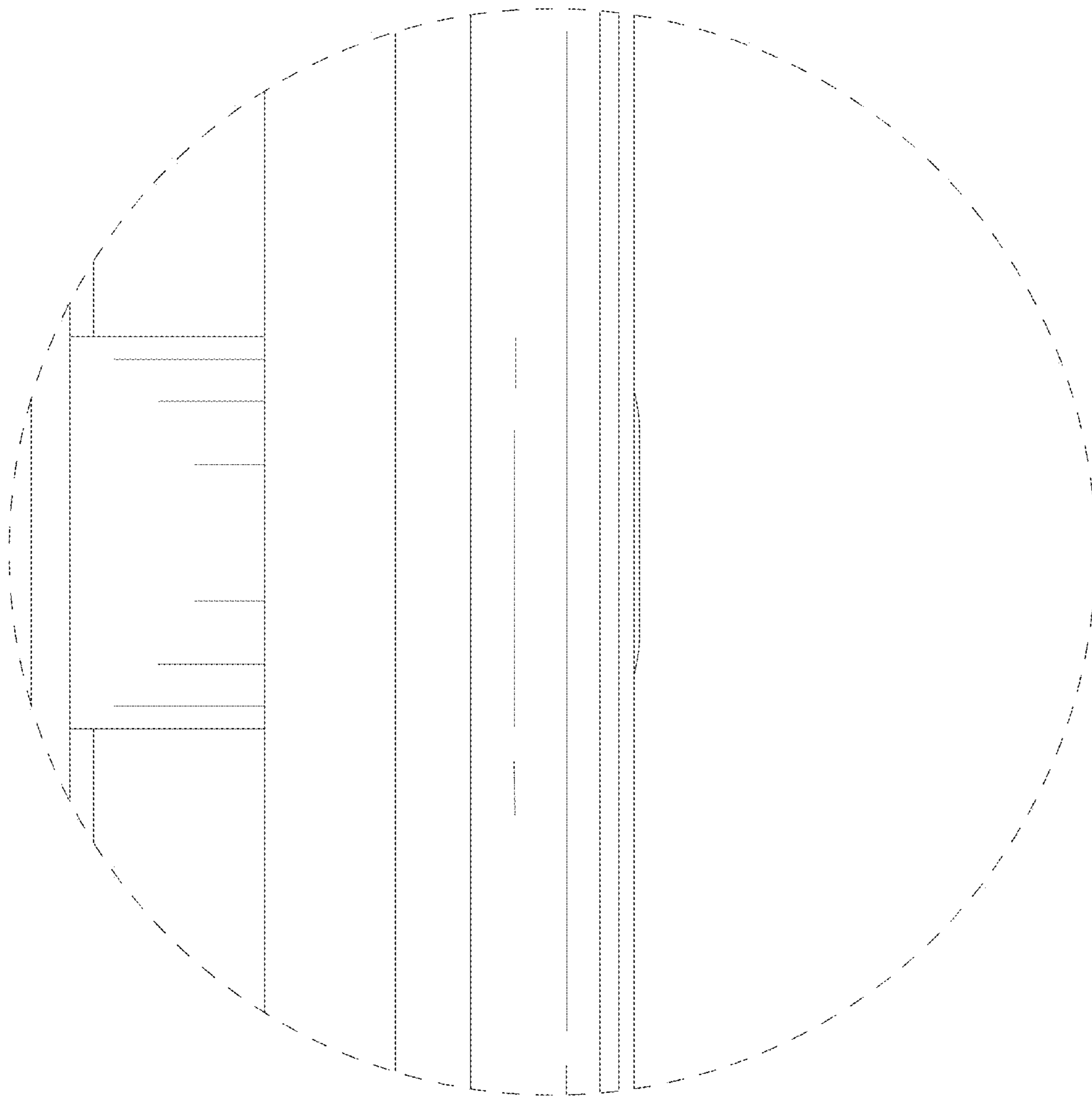


FIG. 10

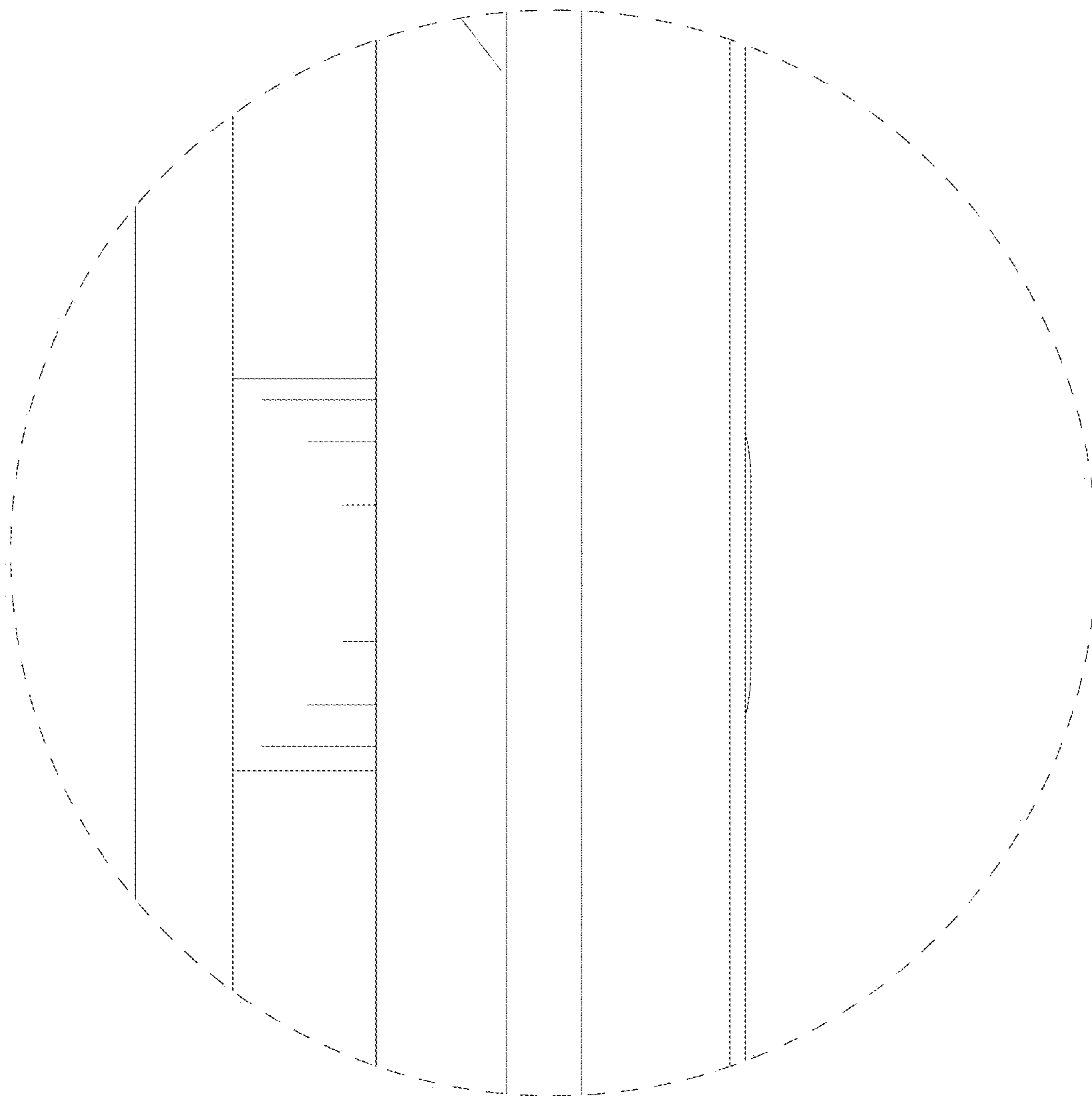


FIG. 11