



US00D949042S

(12) **United States Design Patent**
Yamada

(10) **Patent No.:** **US D949,042 S**
(45) **Date of Patent:** **** Apr. 19, 2022**

(54) **EARRING**
(71) Applicant: **TASAKI & Co., Ltd.**, Kobe (JP)
(72) Inventor: **Yoshikazu Yamada**, Tokyo (JP)
(**) Term: **15 Years**
(21) Appl. No.: **35/511,197**
(22) Filed: **Jul. 21, 2020**

D468,494 S * 1/2003 Holloway D11/1
D641,278 S * 7/2011 Siedler D11/40
D643,766 S * 8/2011 Siedler D11/1
D855,304 S * 8/2019 Sakai D2/978
D884,093 S * 5/2020 Baker A63H 3/48
D21/658
2006/0090509 A1 * 5/2006 Jones A44C 7/00
63/12
2009/0013722 A1 * 1/2009 Walters A44C 7/00
63/13

(80) **Hague Agreement Data**
Int. Filing Date: **Jul. 21, 2020**
Int. Reg. No.: **DM/209470**
Int. Reg. Date: **Jul. 21, 2020**
Int. Reg. Pub. Date: **Jan. 22, 2021**
(51) **LOC (13) Cl.** **11-01**
(52) **U.S. Cl.**
USPC **D11/42**
(58) **Field of Classification Search**
USPC D11/40-48, 1, 2, 7, 79-86, 91, 92
CPC A44C 7/00; A44C 7/002; A44C 7/003;
A44C 7/004; A44C 7/005; A44C 7/006;
A44C 7/007; A44C 7/008; A44C 7/009;
A44C 25/00; A44C 25/001; A44C
25/002; A44C 25/007; A44C 1/00; A44C
3/00; A44C 17/02; A44C 17/0208; A44C
17/0216; A44C 17/0225; A44C 17/0233;
A44C 17/0241; A44C 17/025; A44C
17/0258; A44C 17/0266; A44C 17/0275;
A44C 17/0283; A44C 17/0291
See application file for complete search history.

OTHER PUBLICATIONS

[Online] "Refined Rebellion" https://www.tasaki-global.com/jewellery/collectionline/refined_rebellion/refined_rebellion_novel/E-4285-18KWG/?jewellery=earrings. Retrieved Dec. 30, 2021.*

* cited by examiner

Primary Examiner — Melanie Pellegrini

(56) **References Cited**
U.S. PATENT DOCUMENTS
D354,927 S * 1/1995 Andrau D11/40
D423,394 S * 4/2000 Brisk D11/41

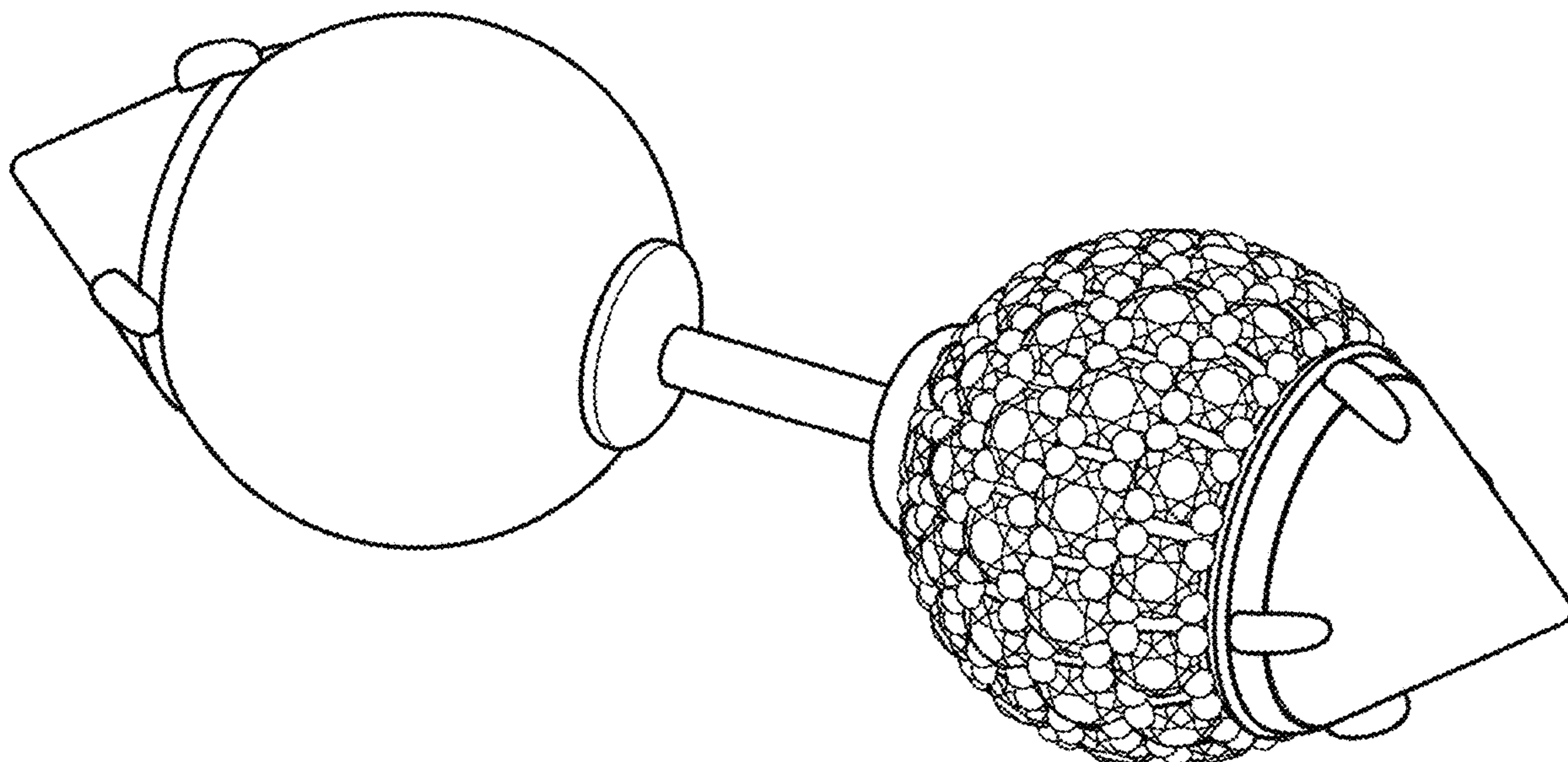
(57) **CLAIM**

The ornamental design for an earring, as shown and described.

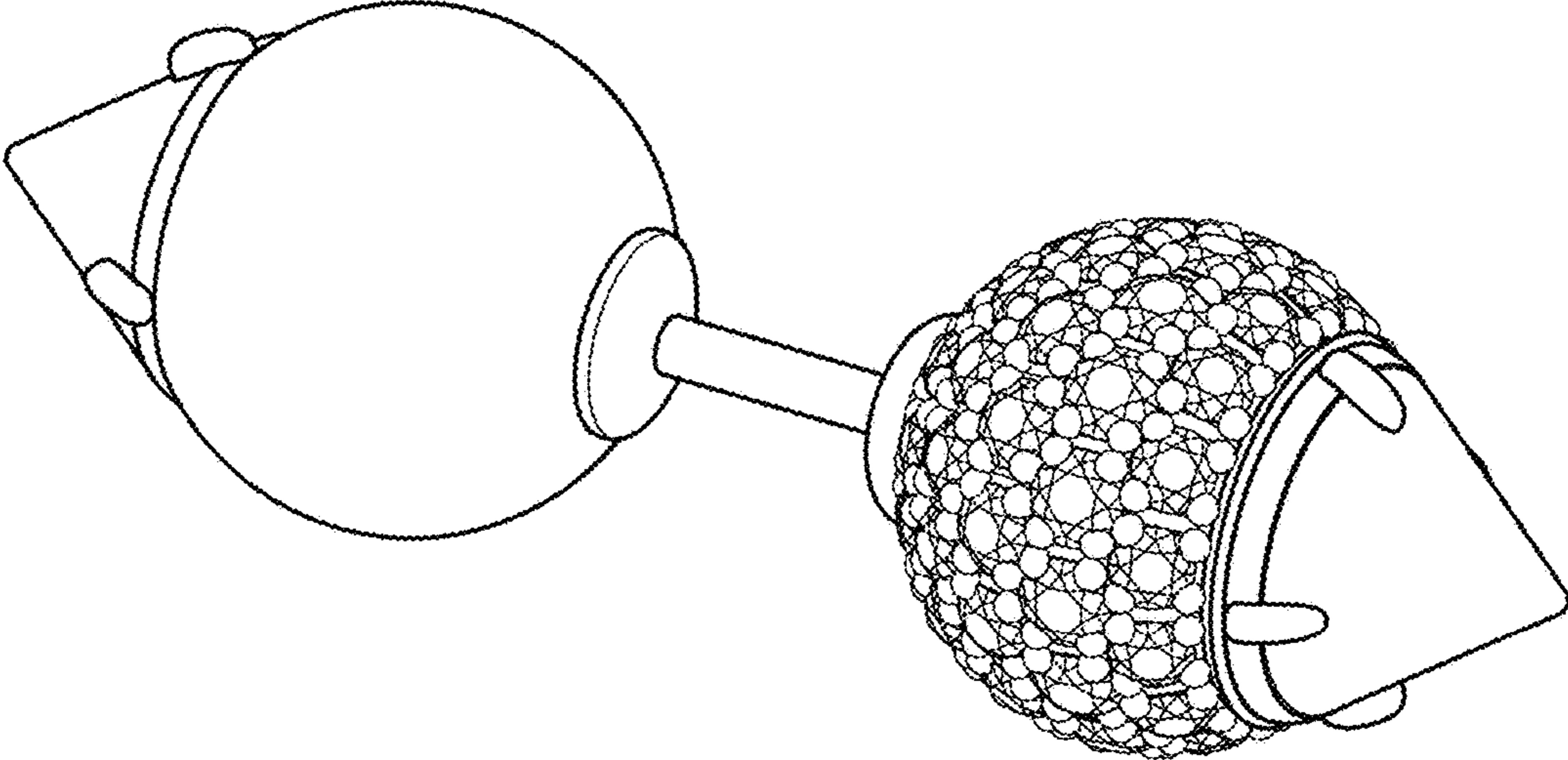
DESCRIPTION

- 1. Earring
- 1.1 : Perspective
- 1.2 : Front
- 1.3 : Back
- 1.4 : Top
- 1.5 : Bottom
- 1.6 : Right
- 1.7 : Left

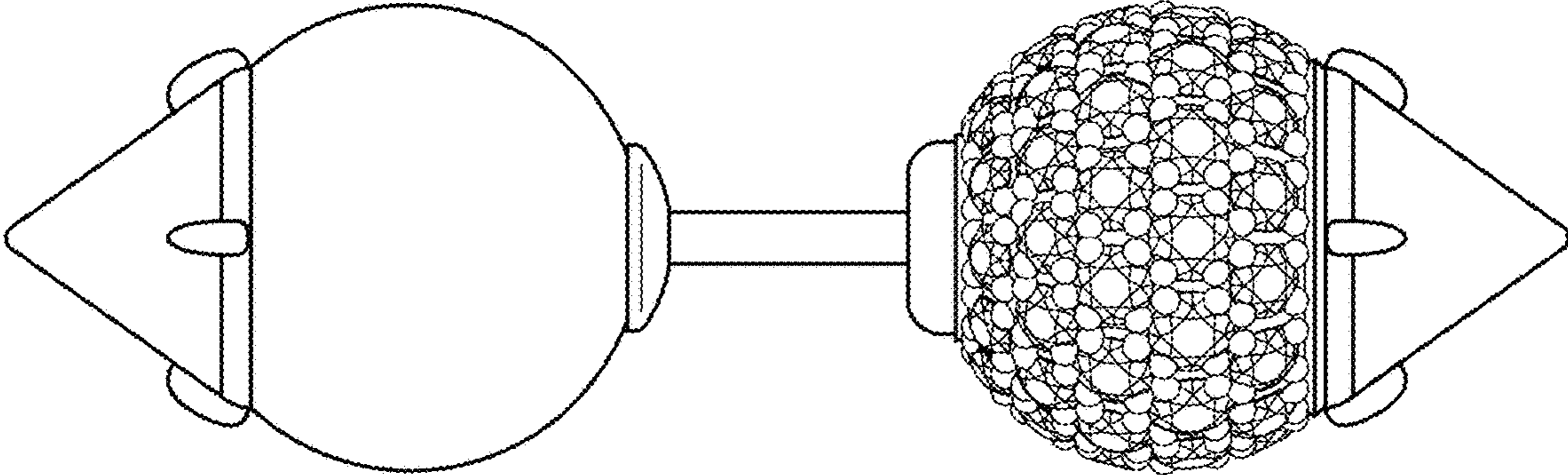
1 Claim, 7 Drawing Sheets



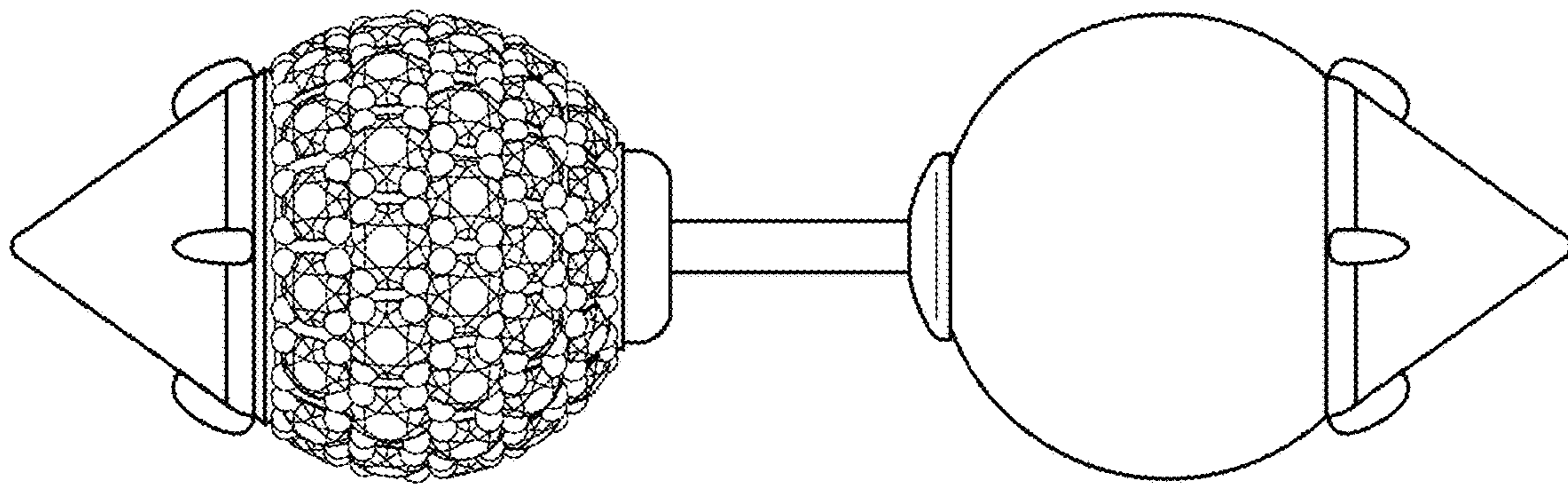
1.1



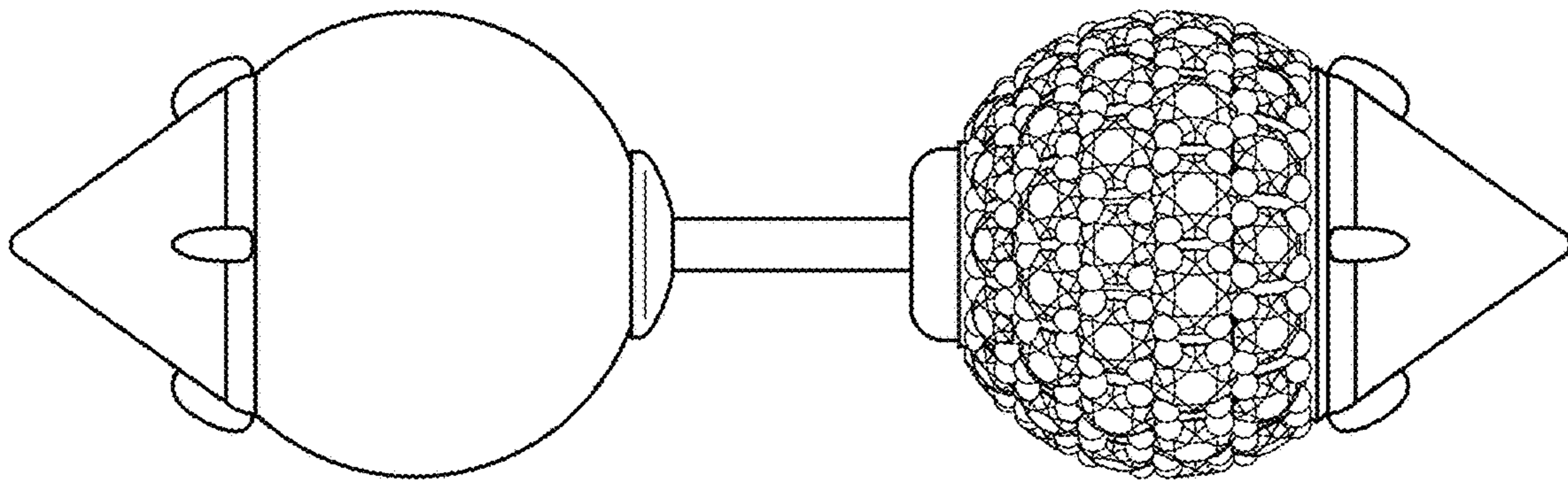
1.2



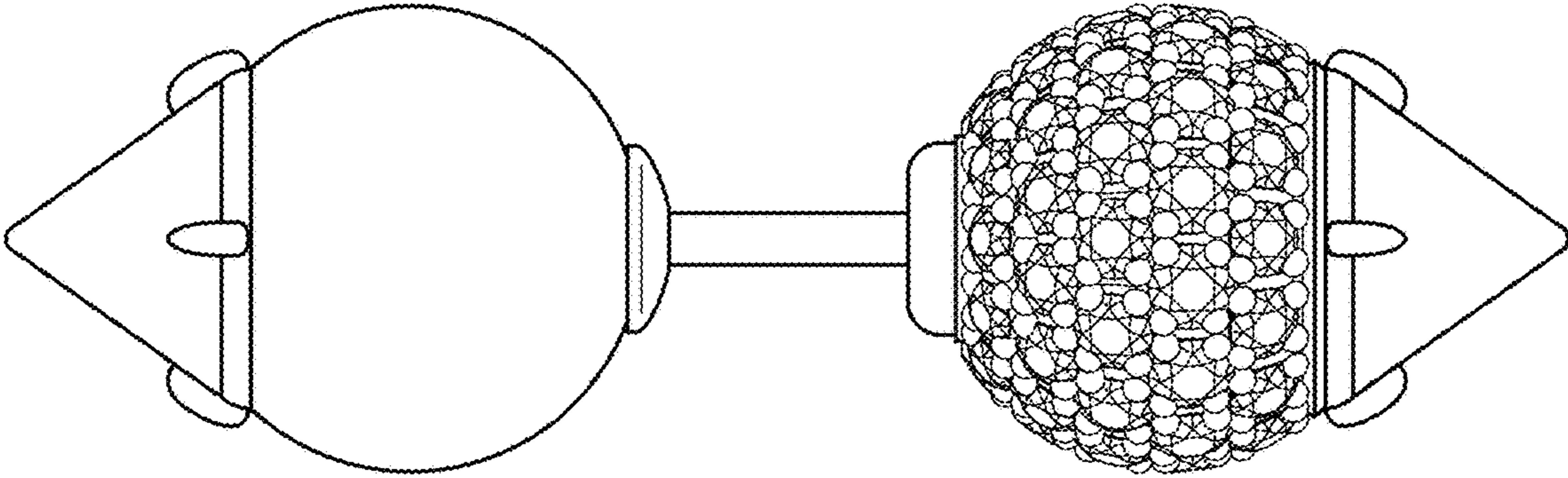
1.3



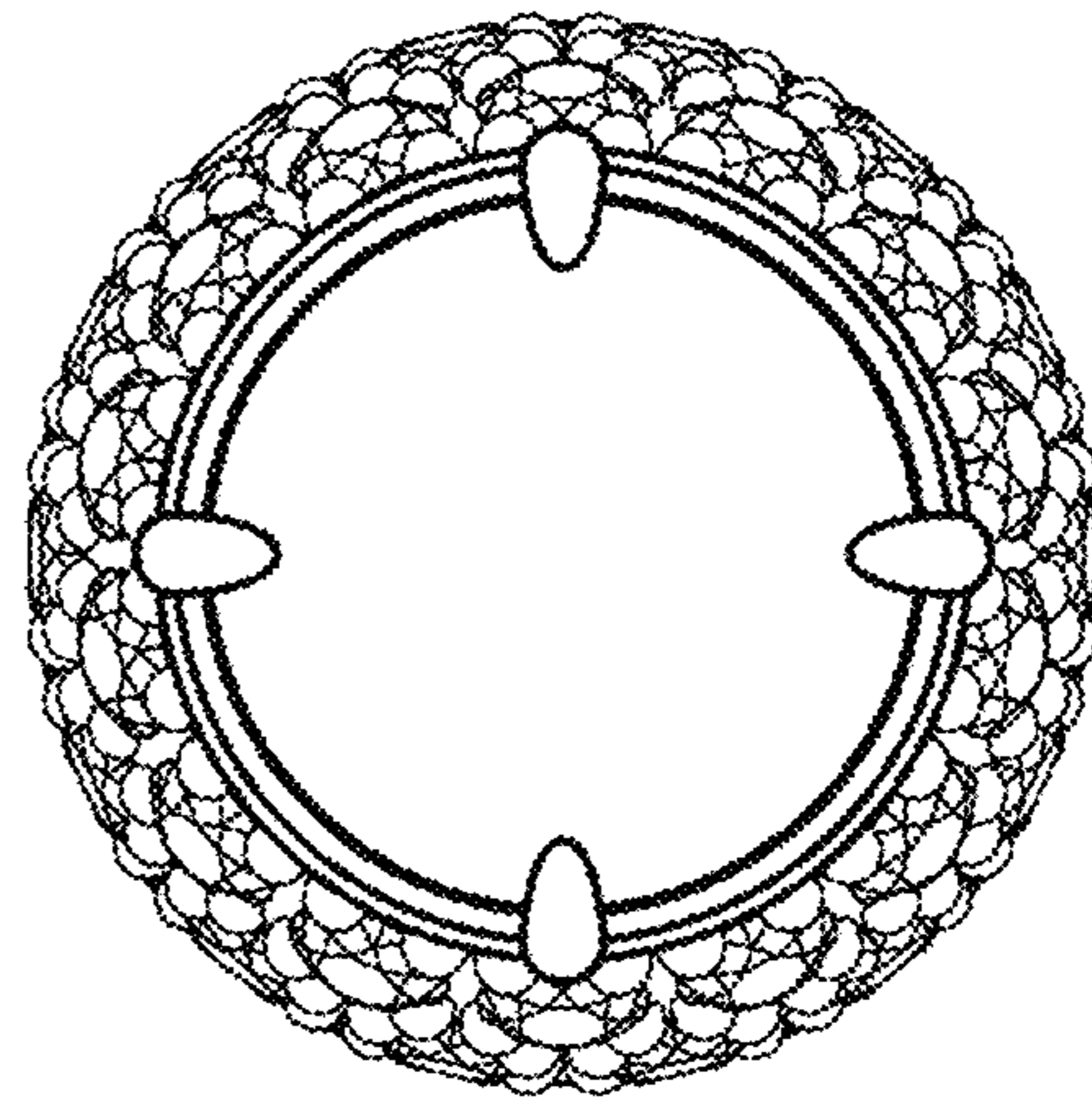
1.4



1.5



1.6



1.7

