



US00D949041S

(12) **United States Design Patent**
Yamada

(10) **Patent No.:** **US D949,041 S**
(45) **Date of Patent:** **** Apr. 19, 2022**

(54) **EARRING**
(71) Applicant: **TASAKI & Co., Ltd.**, Kobe (JP)
(72) Inventor: **Yoshikazu Yamada**, Tokyo (JP)
(**) Term: **15 Years**
(21) Appl. No.: **35/511,166**
(22) Filed: **Jul. 21, 2020**
(80) **Hague Agreement Data**
Int. Filing Date: **Jul. 21, 2020**
Int. Reg. No.: **DM/209471**
Int. Reg. Date: **Jul. 21, 2020**
Int. Reg. Pub. Date: **Jan. 22, 2021**

5,146,768 A * 9/1992 Dichtel A44C 7/005
63/14.2
D370,865 S * 6/1996 Brisk D11/40
D418,079 S * 12/1999 Porcell D11/40
D420,304 S * 2/2000 Porcell D11/40
D456,299 S * 4/2002 Brisk D11/77
D456,300 S * 4/2002 Brisk D11/79
D470,071 S * 2/2003 Waldman D11/1
D471,478 S * 3/2003 Waldman D11/1
D471,835 S * 3/2003 Waldman D11/1
D472,838 S * 4/2003 Ziller D11/1
D474,418 S * 5/2003 Waldman D11/1
D480,657 S * 10/2003 Waldman D11/1
D526,233 S * 8/2006 Hollis D11/1
D538,701 S * 3/2007 Williams D11/40
D542,170 S * 5/2007 Bruno D11/40

(Continued)

(51) **LOC (13) Cl.** **11-01**
(52) **U.S. Cl.**
USPC **D11/42**
(58) **Field of Classification Search**
USPC D11/40-48, 1, 2, 7, 11, 79-86, 91, 92;
63/1.11, 1.15, 12
CPC A44C 7/00; A44C 7/002; A44C 7/003;
A44C 7/004; A44C 7/005; A44C 7/006;
A44C 7/007; A44C 7/008; A44C 7/009;
A44C 25/00; A44C 25/001; A44C
25/002; A44C 25/007; A44C 1/00; A44C
3/00; A44C 17/02; A44C 17/0208; A44C
17/0216; A44C 17/0225; A44C 17/0233;
A44C 17/0241; A44C 17/025; A44C
17/0258; A44C 17/0266; A44C 17/0275;
A44C 17/0283; A44C 17/0291
See application file for complete search history.

OTHER PUBLICATIONS
[Online] "Poppy Finch Pearl & Diamond Jacket Earrings" <https://www.neimanmarcus.com/p/poppy-finch-pearl-diamond-jacket-earrings-prod240180765>. Retrieved Dec. 30, 2021.*

(Continued)

Primary Examiner — Melanie Pellegrini

(57) **CLAIM**

The ornamental design for an earring, as shown and described.

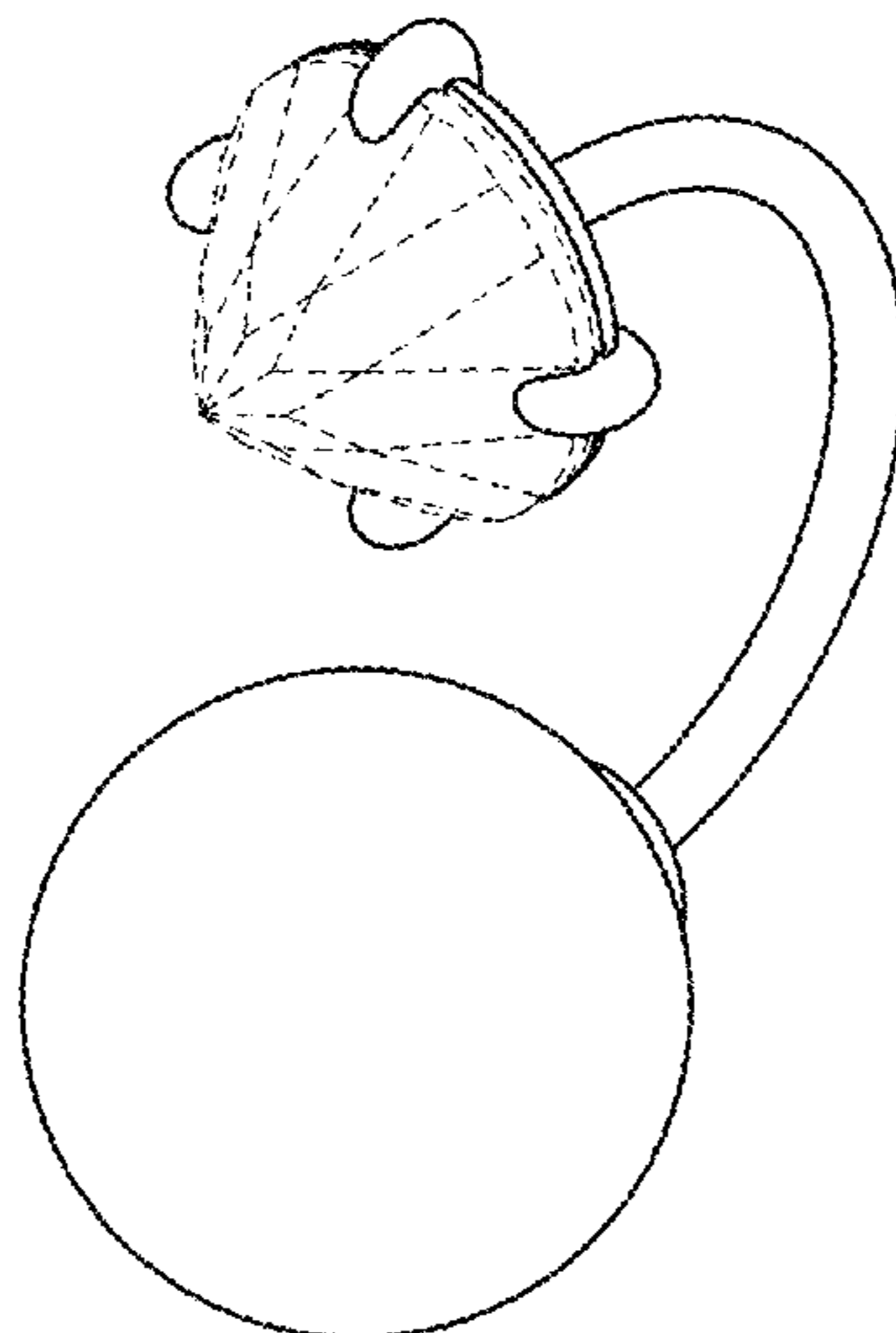
DESCRIPTION

- 1. Earring
- 1.1 : Perspective
- 1.2 : Front
- 1.3 : Back
- 1.4 : Top
- 1.5 : Bottom
- 1.6 : Right
- 1.7 : Left

The broken lines in the reproductions form no part of the claimed design.

1 Claim, 7 Drawing Sheets

(56) **References Cited**
U.S. PATENT DOCUMENTS
320,991 A * 6/1885 Westcott A44C 7/003
24/705
D206,346 S * 11/1966 Steinman D11/75
5,074,128 A * 12/1991 Kowalski A44C 7/00
63/12



(56)

References Cited

U.S. PATENT DOCUMENTS

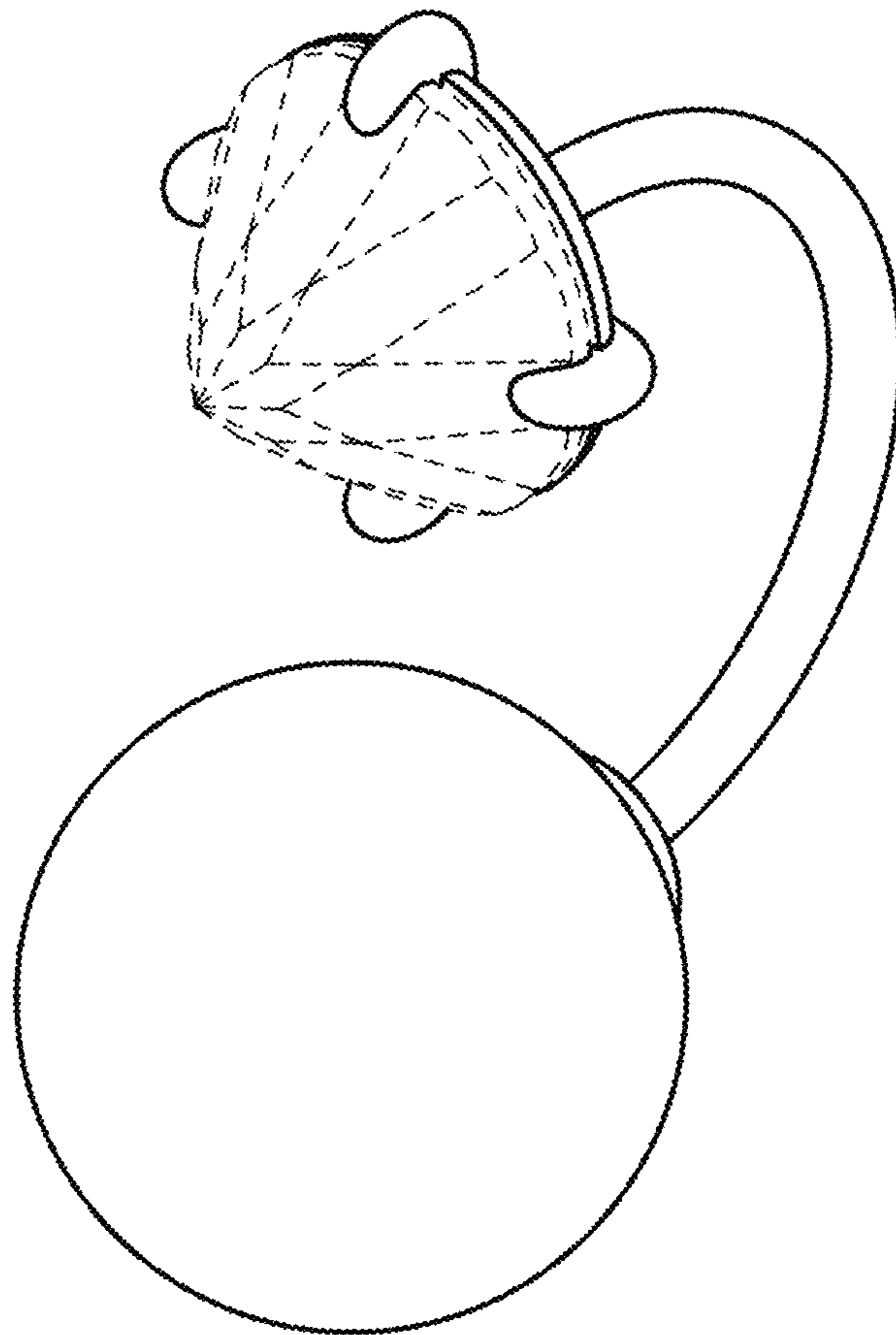
D554,020 S * 10/2007 Bruno D11/40
D699,858 S * 2/2014 Neumann D24/215
D851,532 S * 6/2019 Yamada D11/40
D876,976 S * 3/2020 Zeng D11/1
D878,235 S * 3/2020 Gurung D11/40
D906,861 S * 1/2021 Sivriere D11/40
D927,342 S * 8/2021 Sivriere D11/41
D931,754 S * 9/2021 Sivriere D11/43
D935,340 S * 11/2021 Gurung D11/40
2003/0172672 A1 * 9/2003 Trupiano A44C 15/0035
63/12
2003/0200765 A1 * 10/2003 Lepere A44C 7/009
63/12
2004/0123625 A1 * 7/2004 Waldman A44C 15/0035
63/12
2007/0084240 A1 * 4/2007 Bruno A44C 7/002
63/12
2009/0013722 A1 * 1/2009 Walters A44C 7/00
63/13
2018/0199680 A1 * 7/2018 Barouch A44C 25/007

OTHER PUBLICATIONS

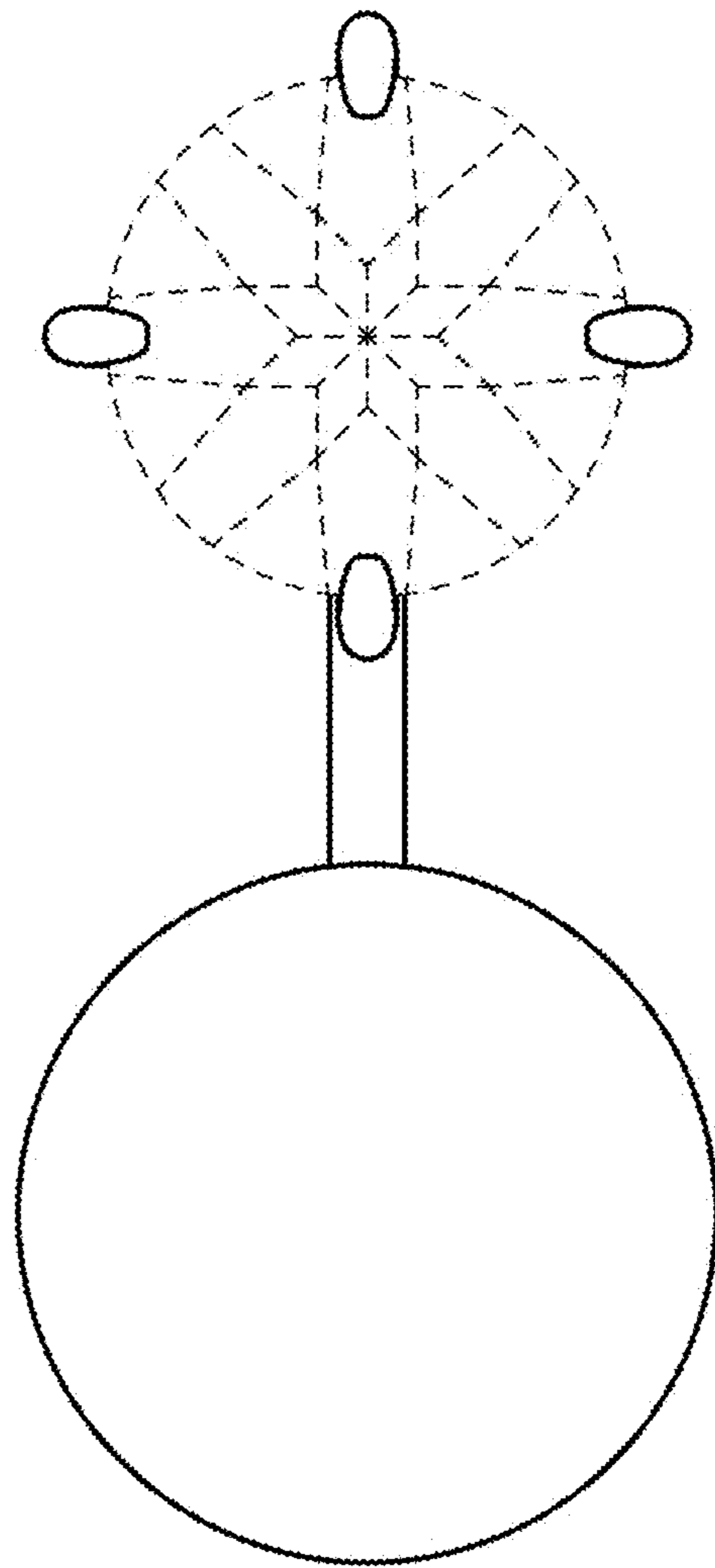
[Online] "Pearl Earring Jacket" <https://lisafreede.com/pearl-earring-jacket/>. Retrieved Dec. 30, 2021.*

* cited by examiner

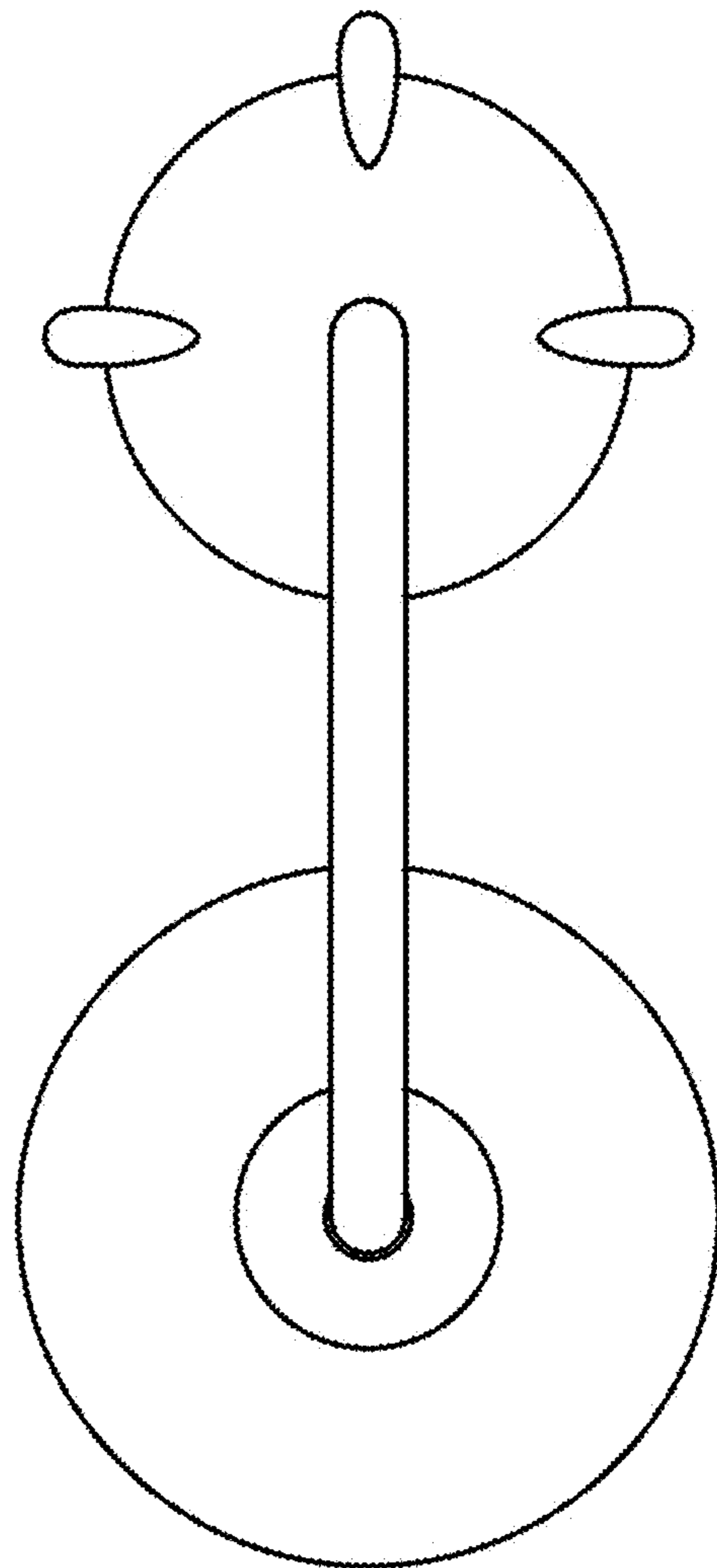
1.1



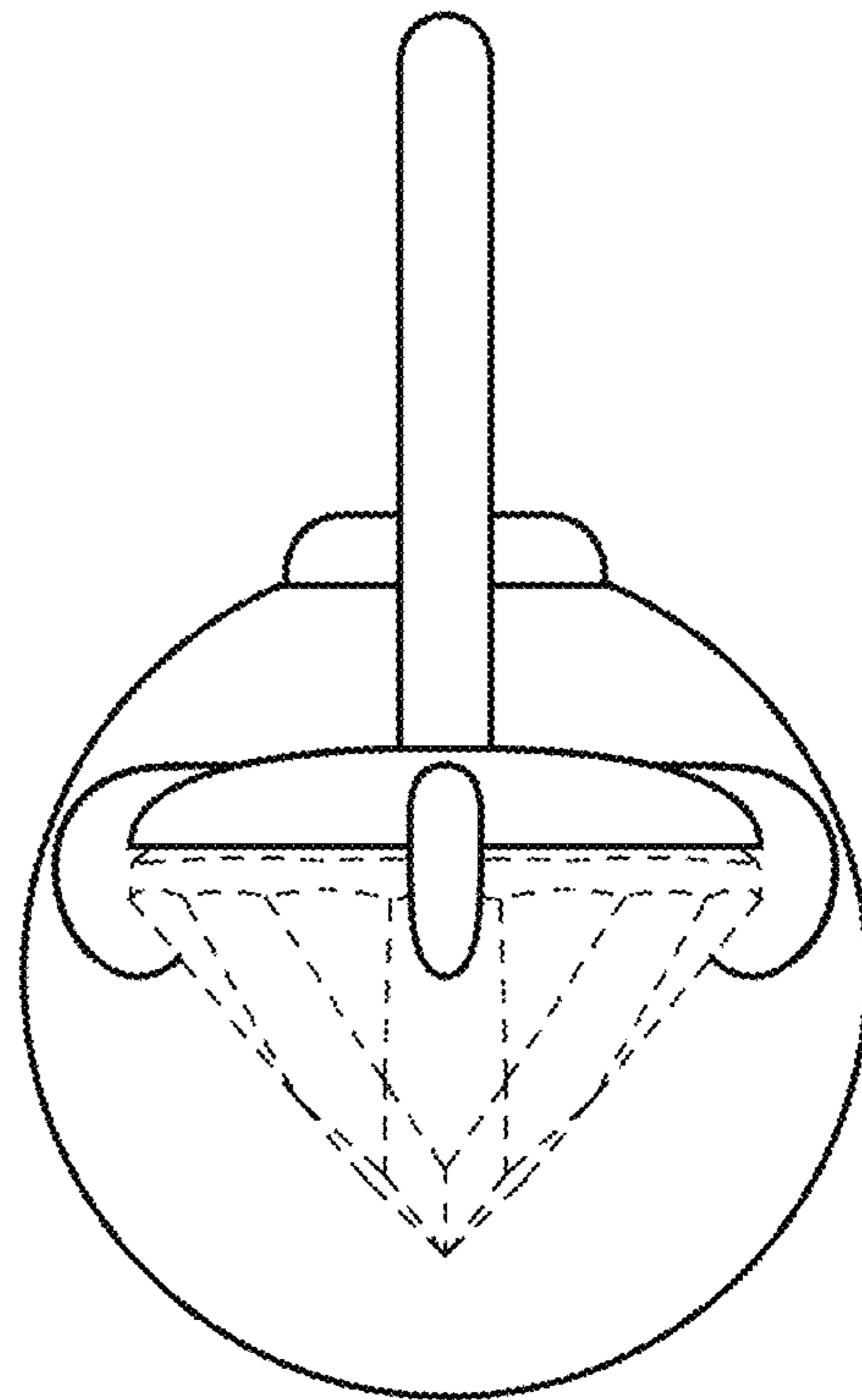
1.2



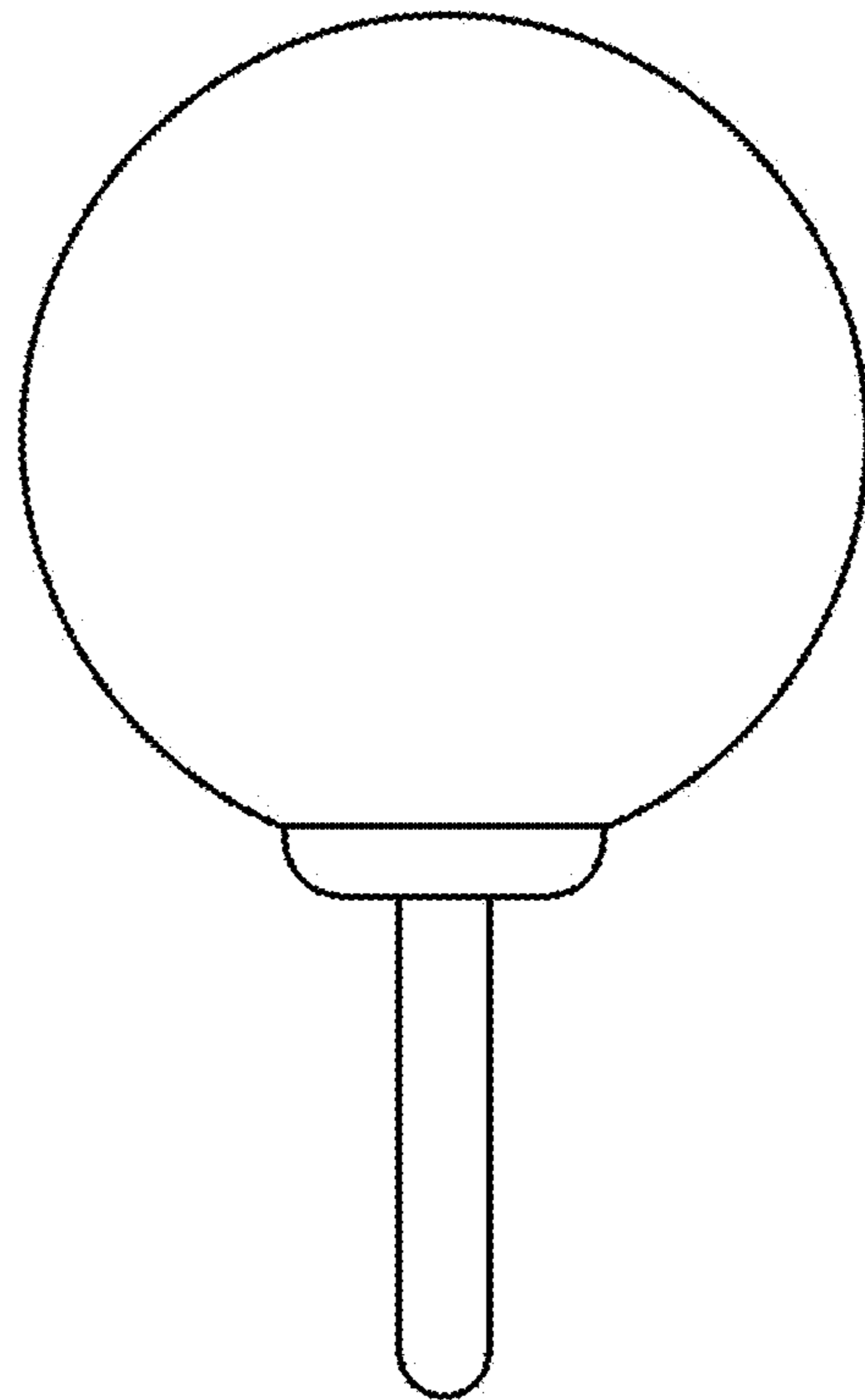
1.3



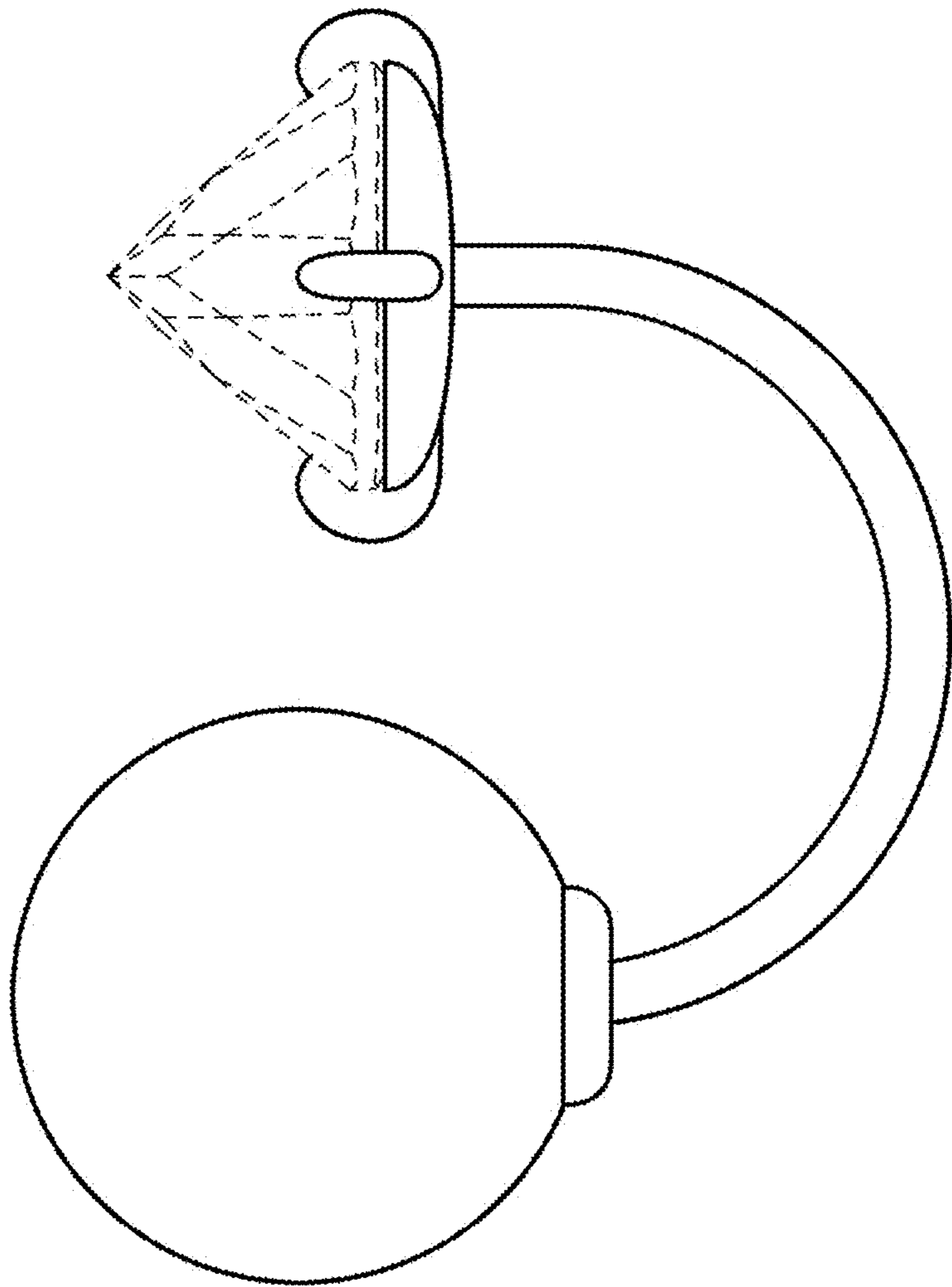
1.4



1.5



1.6



1.7

