



US00D949040S

(12) **United States Design Patent**
Yamada

(10) **Patent No.:** **US D949,040 S**
(45) **Date of Patent:** **** Apr. 19, 2022**

(54) **FINGER RING**
(71) Applicant: **TASAKI & Co., Ltd.**, Kobe (JP)
(72) Inventor: **Yoshikazu Yamada**, Tokyo (JP)
(**) Term: **15 Years**
(21) Appl. No.: **35/511,190**
(22) Filed: **Jul. 21, 2020**
(80) **Hague Agreement Data**

Int. Filing Date: **Jul. 21, 2020**
Int. Reg. No.: **DM/210135**
Int. Reg. Date: **Jul. 21, 2020**
Int. Reg. Pub. Date: **Jan. 22, 2021**

(51) **LOC (13) Cl.** **11-01**
(52) **U.S. Cl.**
USPC **D11/26**

(58) **Field of Classification Search**
USPC D11/1-25, 26-39
CPC A44C 1/00; A44C 9/00; A44C 9/0007;
A44C 9/0015; A44C 9/0023; A44C
9/003; A44C 9/0038; A44C 9/0046; A44C
9/0053; A44C 9/0061; A44C 9/0069;
A44C 9/0076; A44C 9/0092; A44C 9/02;
A44C 5/00; A44C 5/0007; A44C 5/0015;
A44C 5/0023; A44C 5/003; A44C
5/0038; A44C 5/0046; A44C 5/0053;
A44C 5/0061; A44C 5/0069; A44C
5/0076; A44C 5/0084; A44C 5/0092;
A44C 5/12
See application file for complete search history.

(56) **References Cited**
U.S. PATENT DOCUMENTS

283,574 A * 8/1883 Cottle A44C 5/0092
63/11
D228,758 S * 10/1973 Petrosky D22/117
D244,590 S * 6/1977 Rosenfeld D11/34
D267,482 S * 1/1983 Barr D11/28
D268,013 S * 2/1983 Stimmler D11/27
D807,223 S * 1/2018 Noguchi D11/79
D843,874 S * 3/2019 Yamada D11/26

D878,953 S * 3/2020 Gurung D11/26
D878,954 S * 3/2020 Gurung D11/26
D882,448 S * 4/2020 Gurung D11/26
D913,143 S * 3/2021 Yamada D11/26
D913,144 S * 3/2021 Yamada D11/40
D929,888 S * 9/2021 Morin D11/26
D931,753 S * 9/2021 Yamada D11/26

(Continued)

OTHER PUBLICATIONS

[Online] "Balance Loop" https://www.tasaki-global.com/jewellery/collectionline/balance/balance_loop/R-4815-18KYG/. Retrieved Dec. 29, 2021.*

Primary Examiner — Melanie Pellegrini

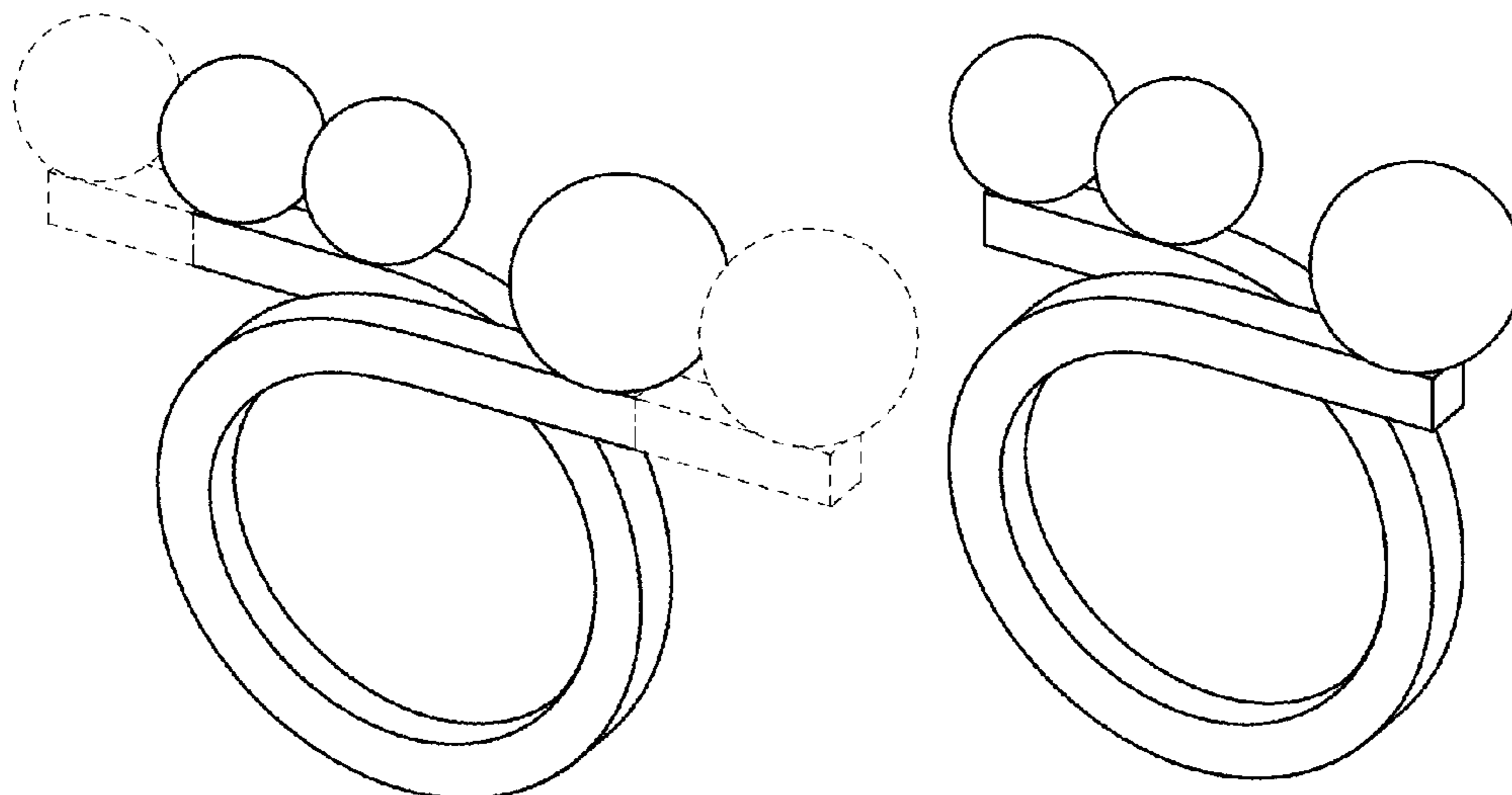
(57) **CLAIM**

The ornamental design for a finger ring, as shown and described.

DESCRIPTION

1.-2. Finger ring
1.1 : Perspective
1.2 : Front
1.3 : Back
1.4 : Top
1.5 : Bottom
1.6 : Right
1.7 : Left
2.1 : Perspective
2.2 : Front
2.3 : Back
2.4 : Top
2.5 : Bottom
2.6 : Right
2.7 : Left Design 1: The dot-dash broken lines denote the boundary between the claimed portion and the unclaimed portion, and form no part of the claimed design; the evenly dashed broken lines in the reproductions form no part of the claimed design.

1 Claim, 14 Drawing Sheets



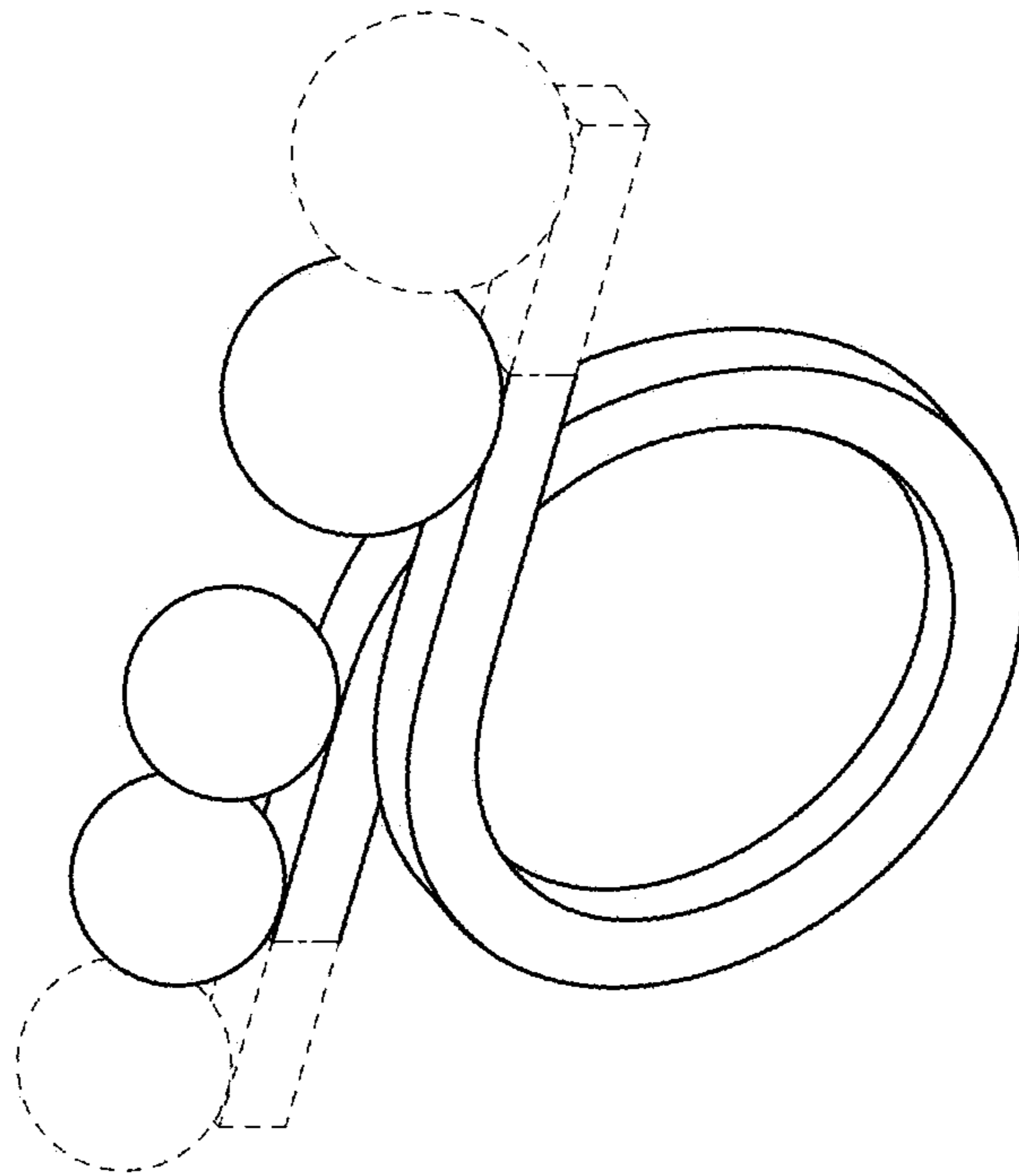
(56)

References Cited

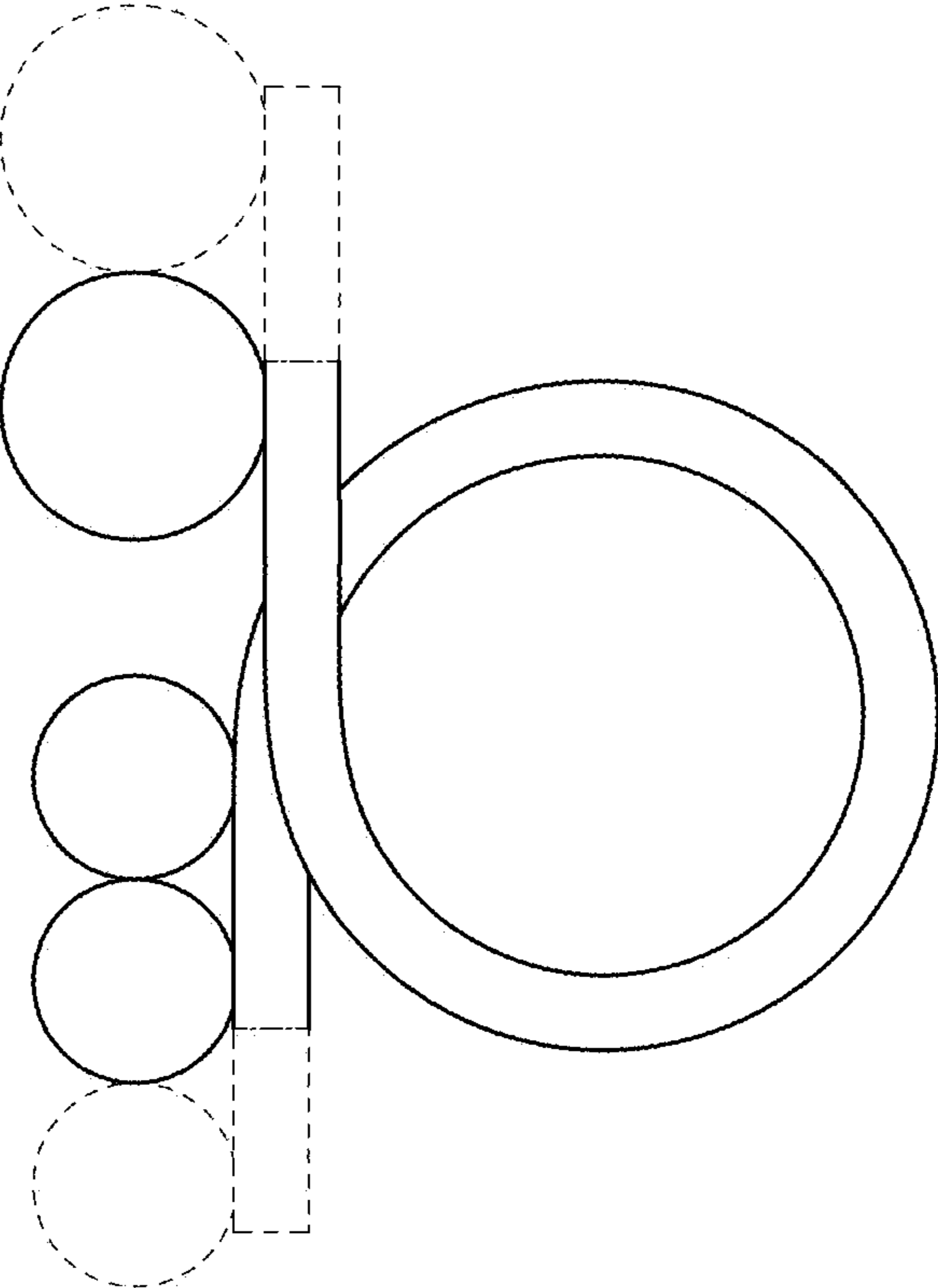
U.S. PATENT DOCUMENTS

D932,335 S * 10/2021 Yamada D11/26
D934,103 S * 10/2021 Yamada D11/26
D937,703 S * 12/2021 Morin D11/26

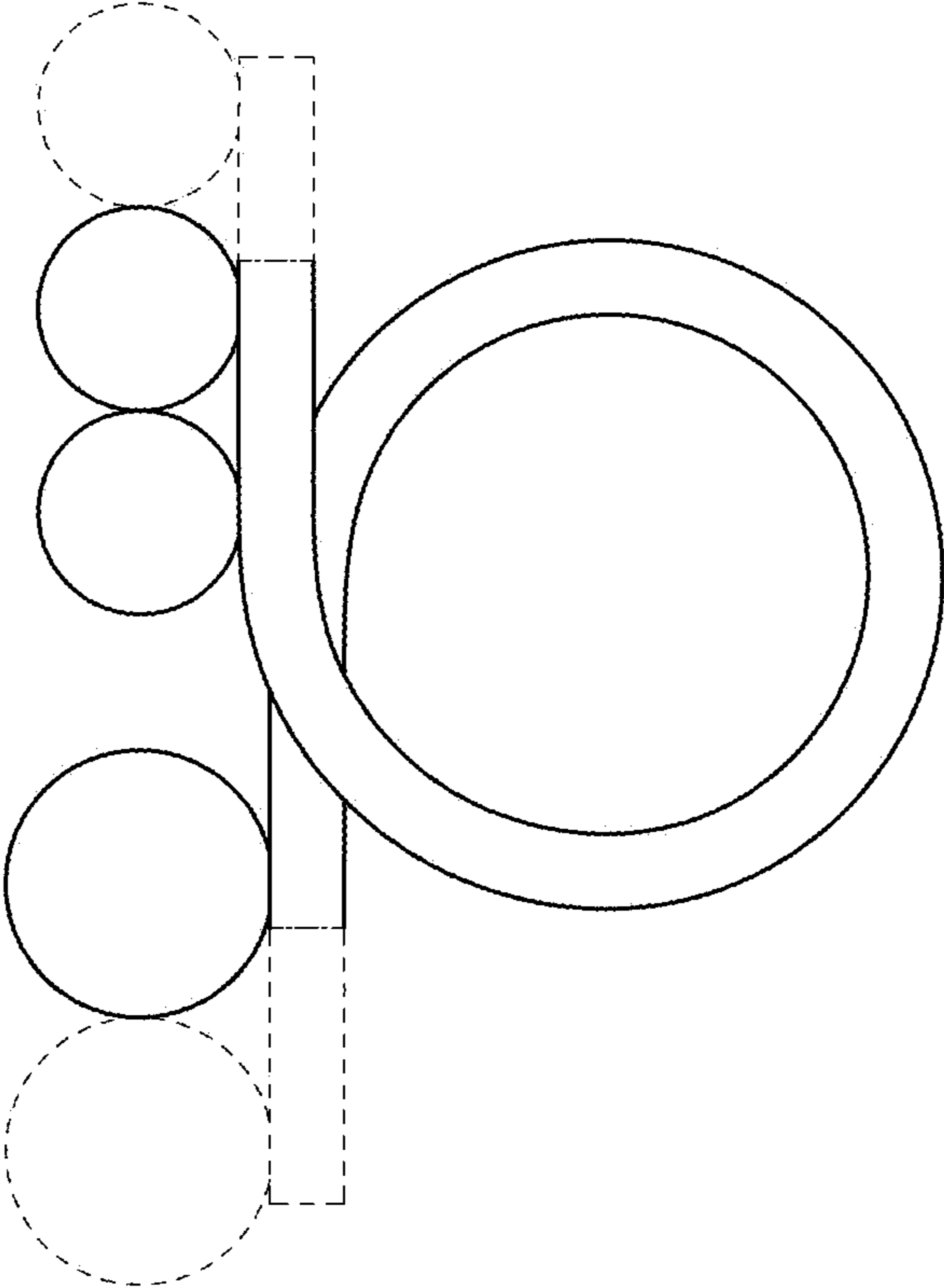
* cited by examiner



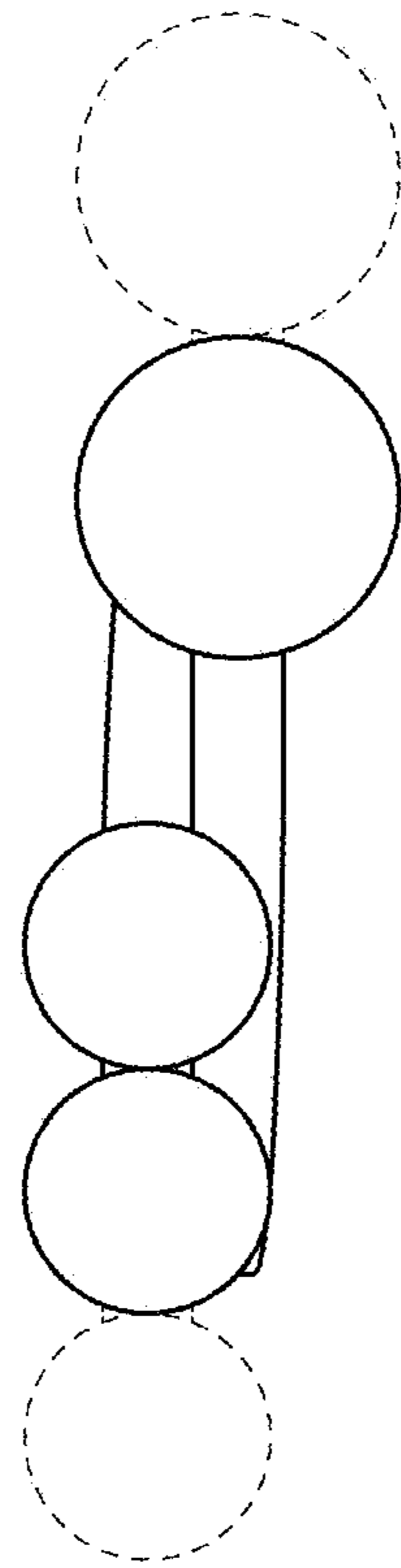
1.1



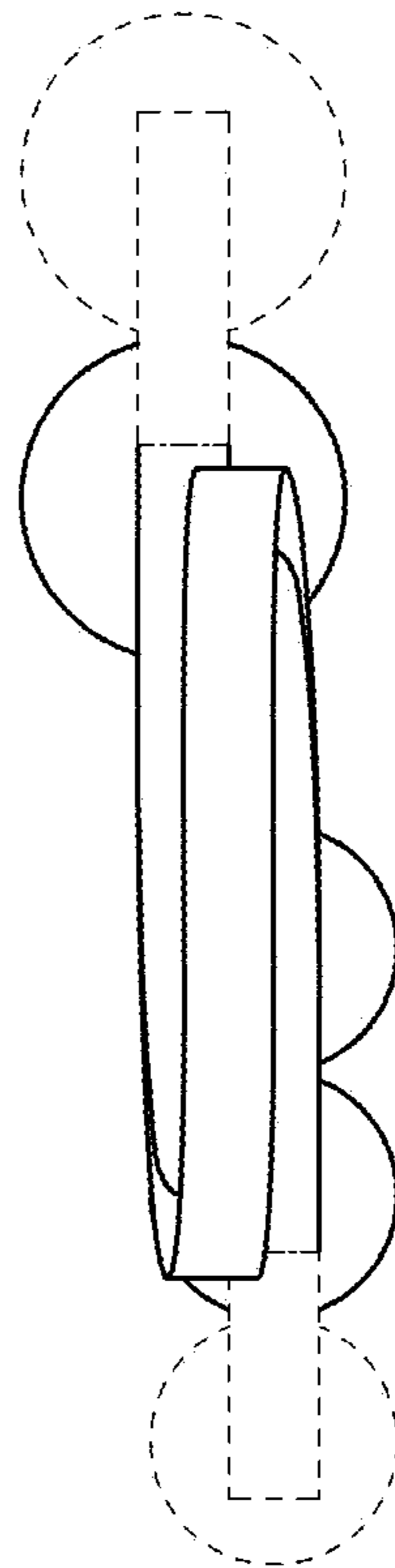
1.2



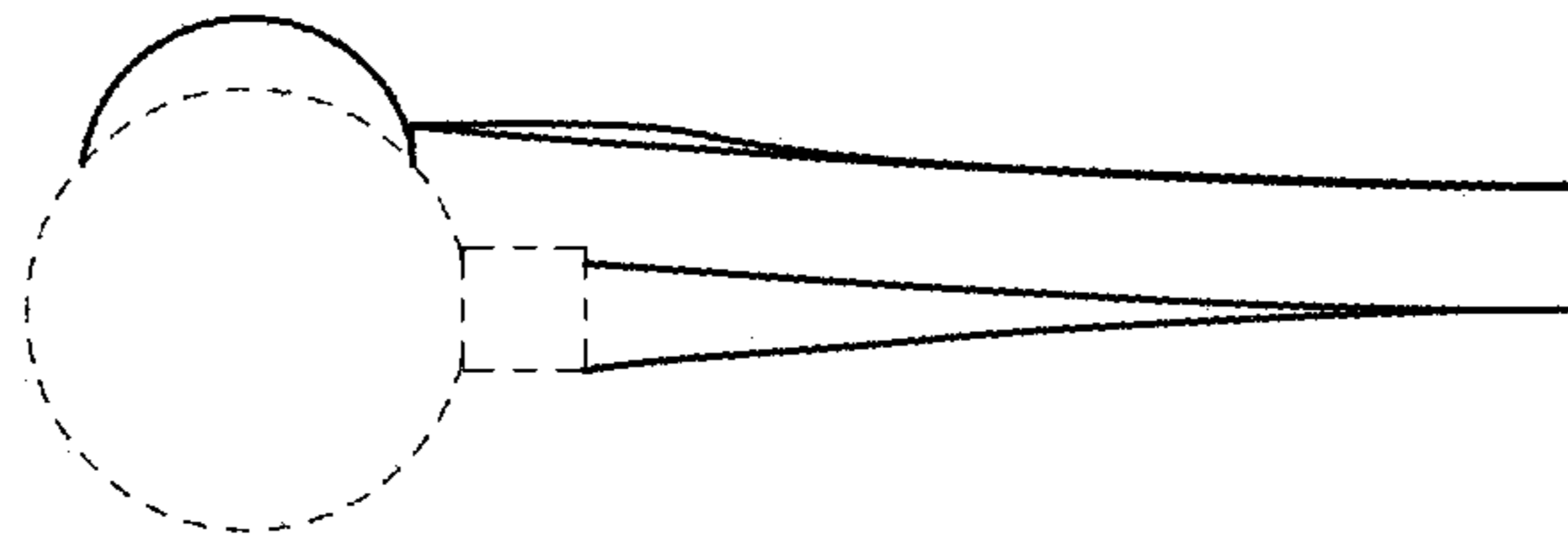
1.3



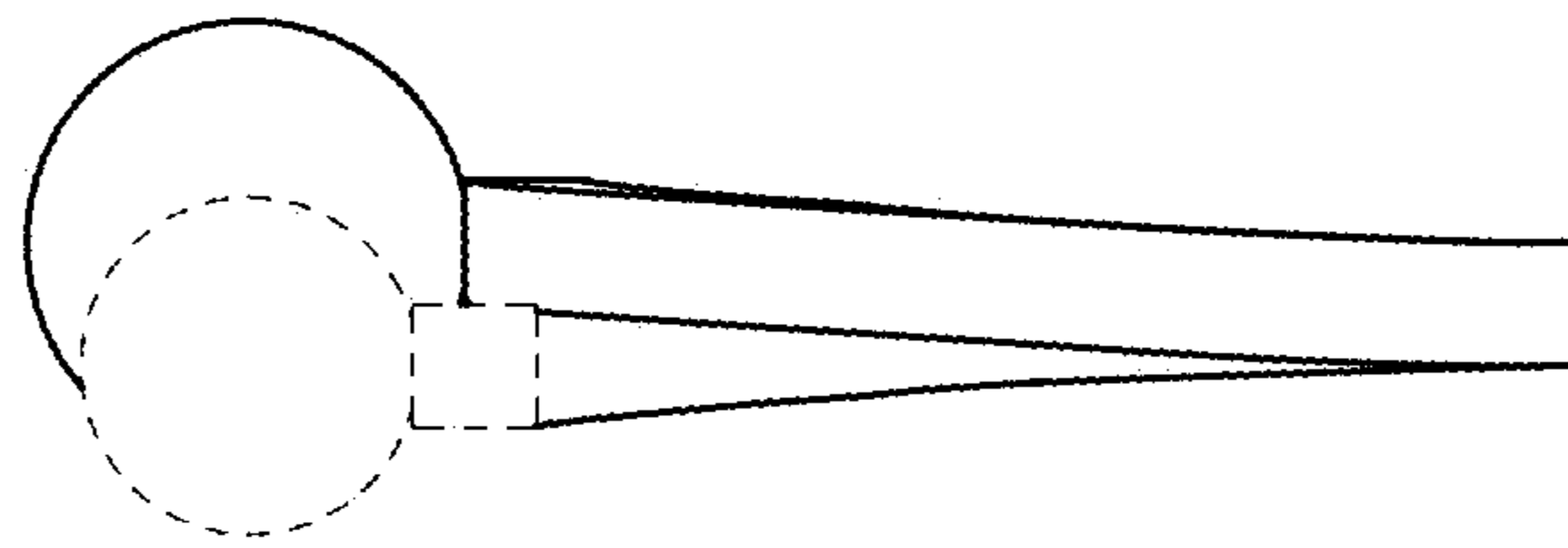
1.4



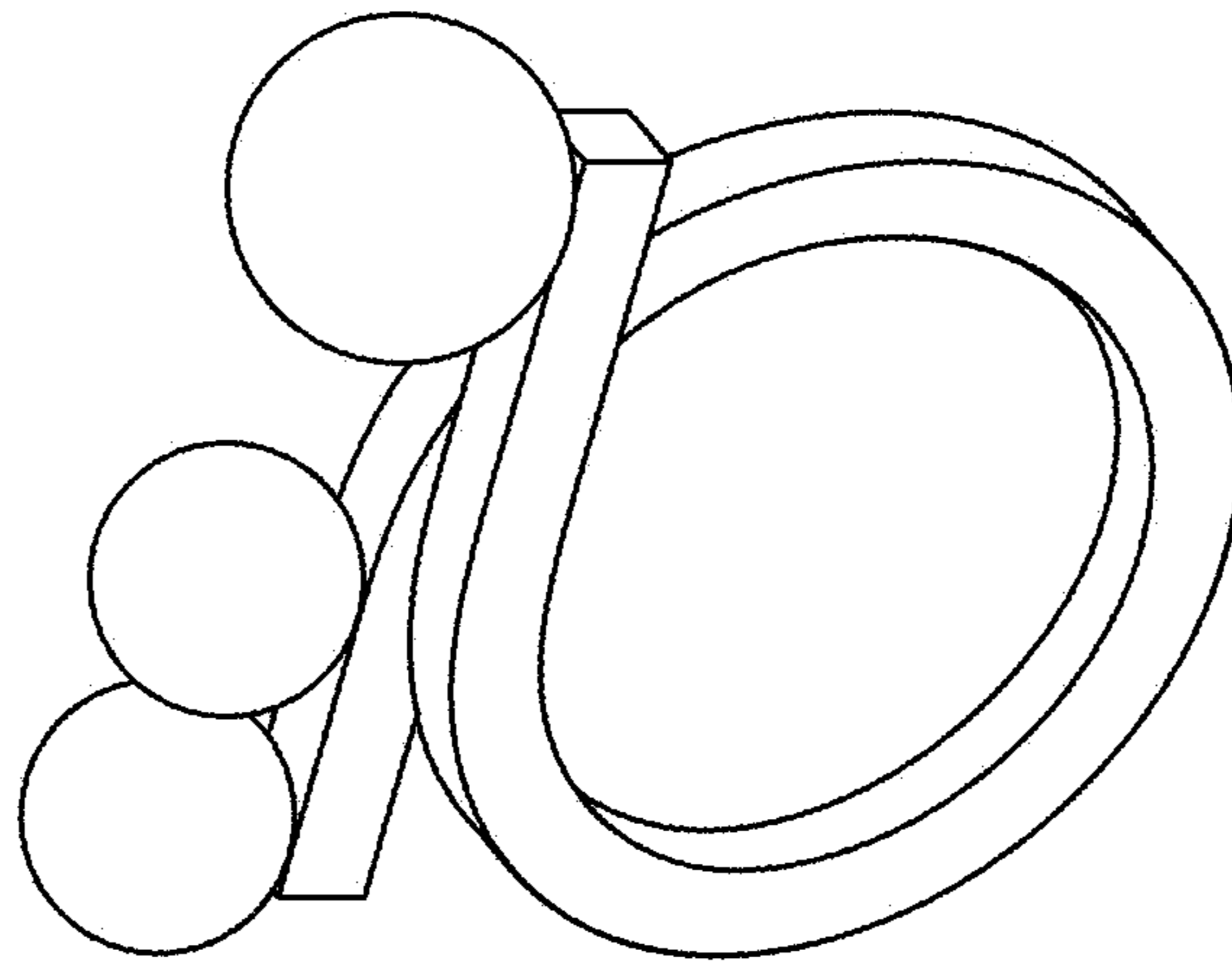
1.5



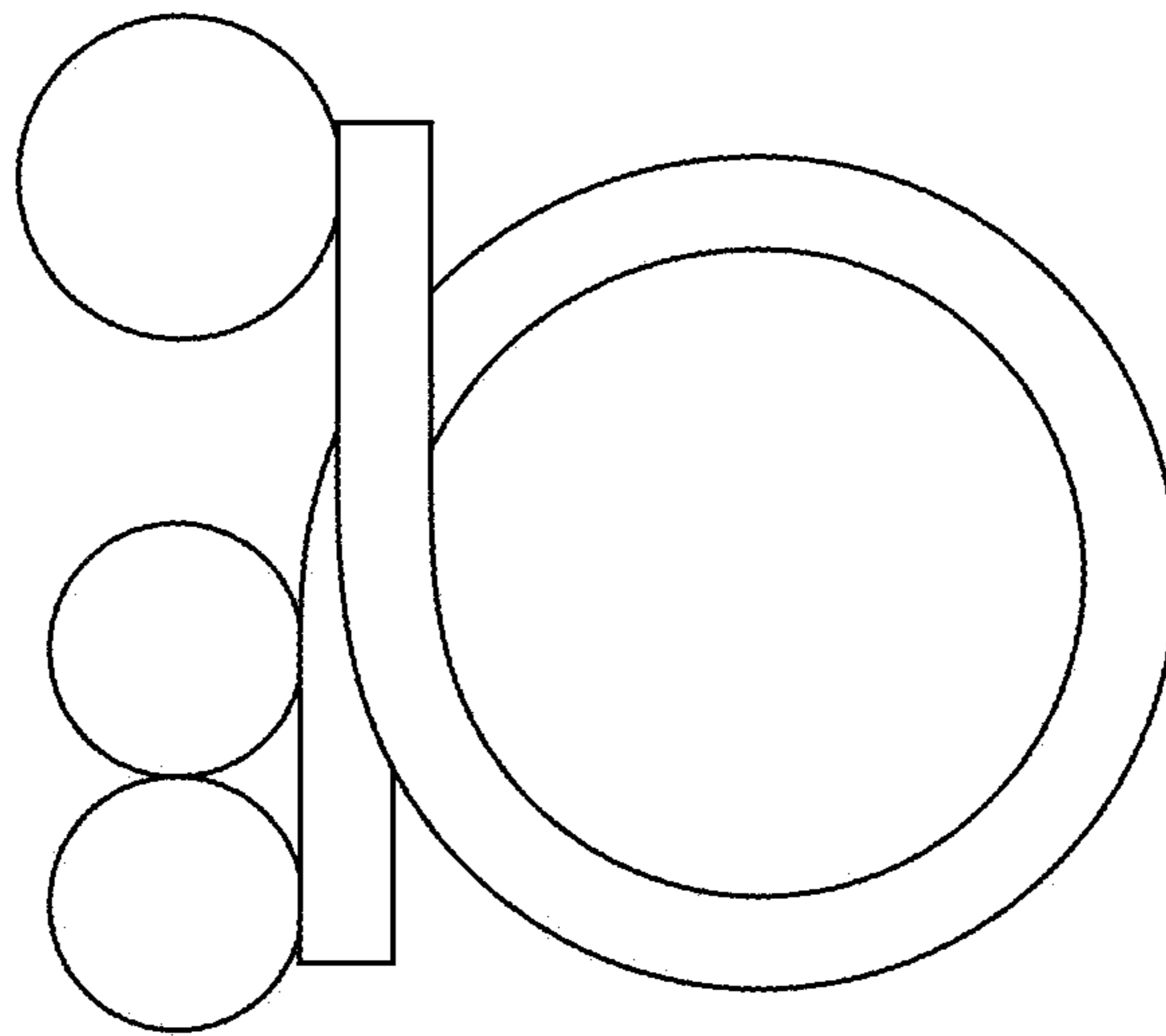
1.6



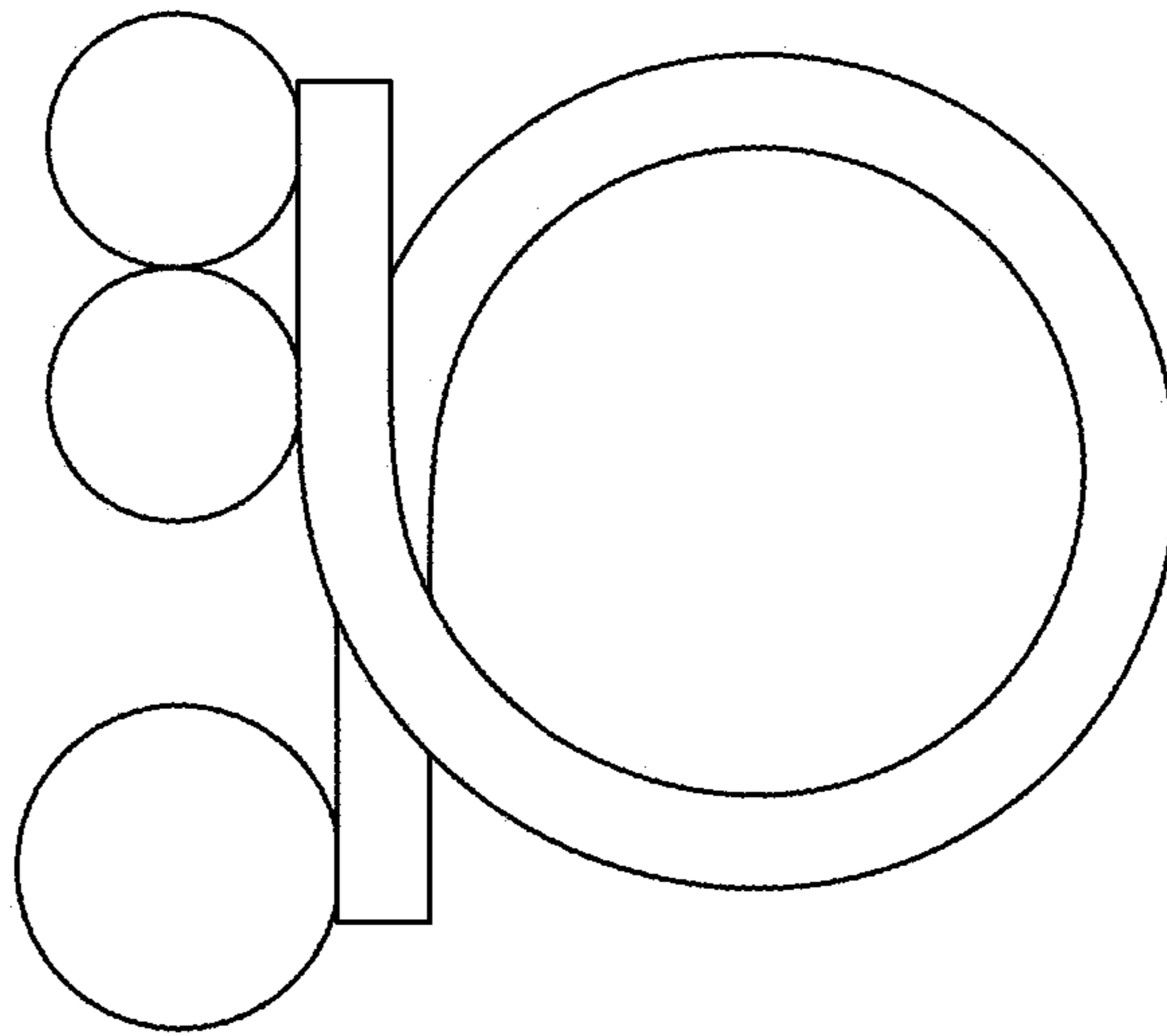
1.7



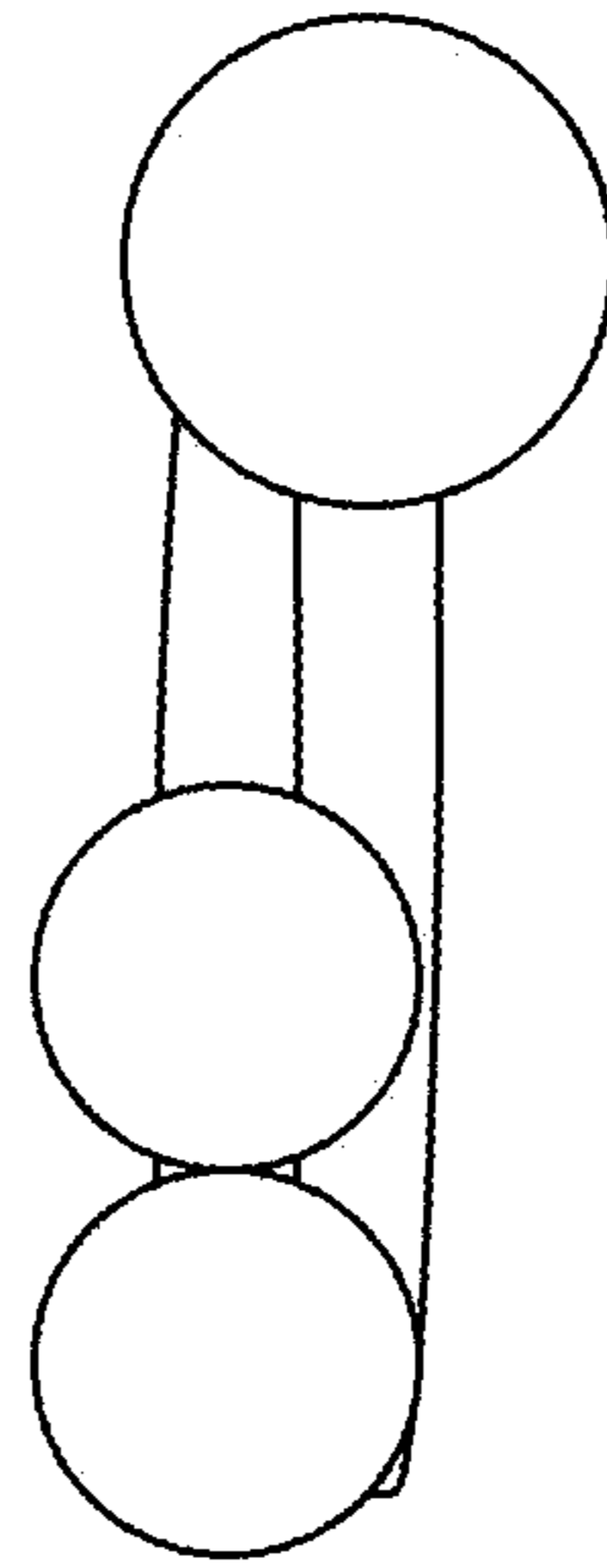
2.1



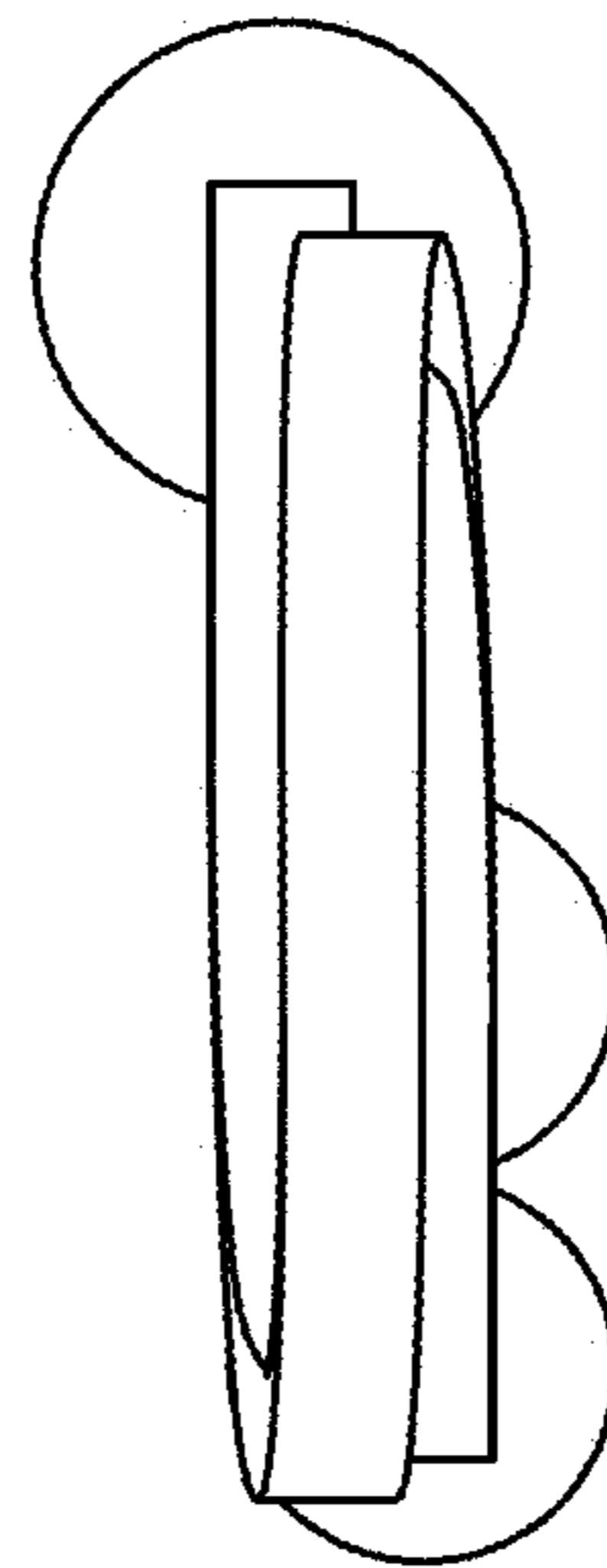
2.2



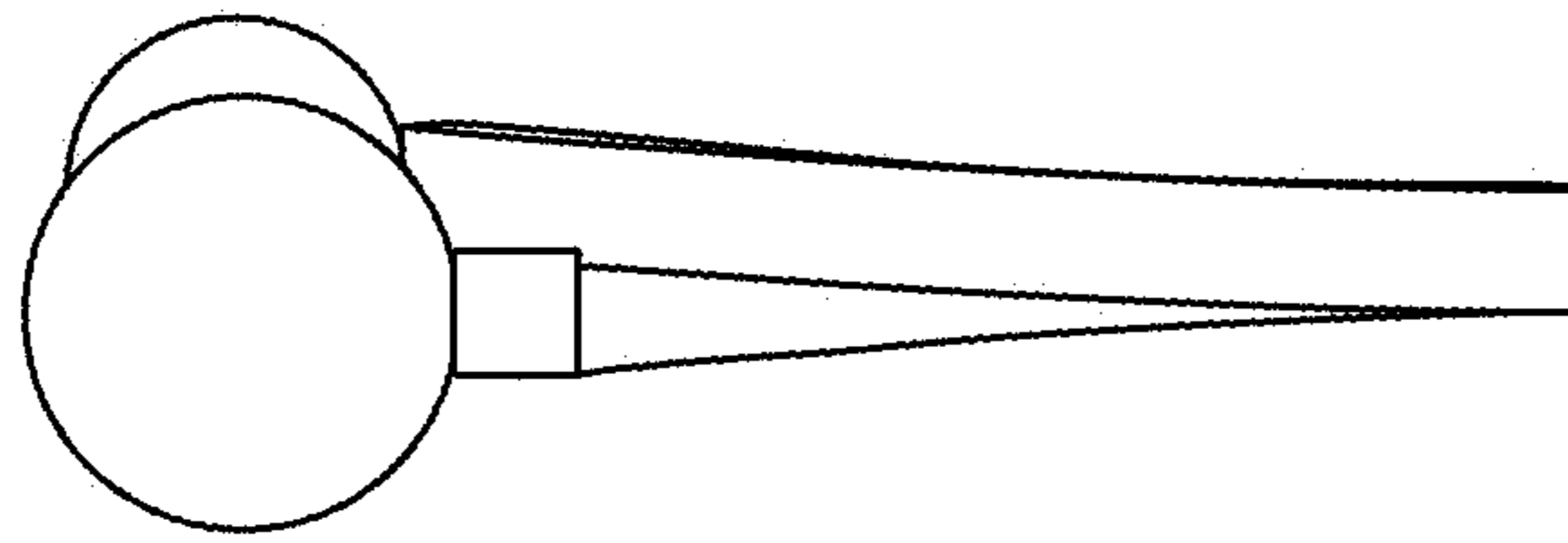
2.3



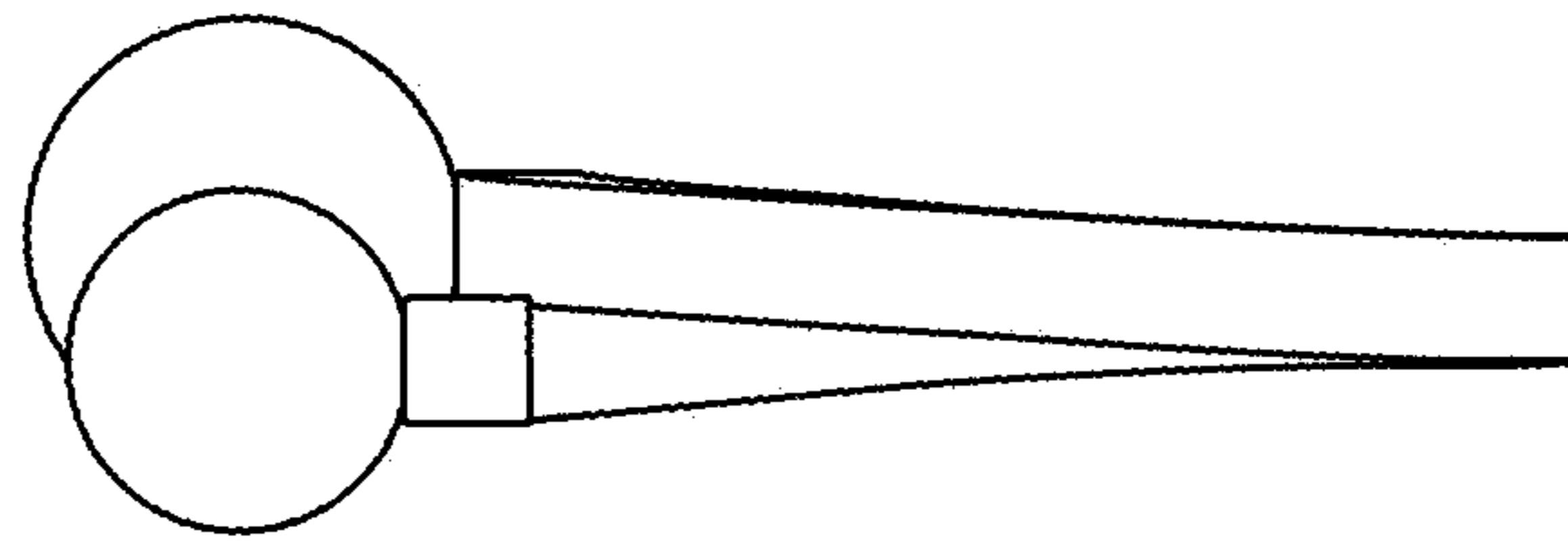
2.4



2.5



2.6



2.7