



US00D949038S

(12) **United States Design Patent** (10) **Patent No.:** **US D949,038 S**  
**Hu** (45) **Date of Patent:** **\*\* Apr. 19, 2022**

(54) **SMARTWATCH CASE**  
(71) Applicant: **Guangzhou Qianyuan International Trade Co., Ltd., Guangzhou (CN)**  
(72) Inventor: **Yuanfei Hu, Guichen (CN)**  
(\*\*) Term: **15 Years**  
(21) Appl. No.: **29/784,557**  
(22) Filed: **May 20, 2021**  
(51) **LOC (13) Cl.** ..... **10-07**  
(52) **U.S. Cl.**  
USPC ..... **D10/132**  
(58) **Field of Classification Search**  
USPC ..... D10/30-39, 132; D11/3, 5, 12-13, D11/86-87, 93-94; D14/344, 440  
CPC ..... A44C 5/00; A44C 5/0053; A44C 5/02; A44C 5/022; A44C 5/025; A44C 5/10; A44C 5/14; A44C 5/147; A44C 5/2071; A61B 5/681; A61B 5/6831; G06F 1/163; G04G 17/00; G04G 21/02; G04G 21/08  
See application file for complete search history.

D898,745 S \* 10/2020 Ye ..... D14/440  
D902,768 S \* 11/2020 Lin ..... D14/440  
D902,933 S \* 11/2020 Zhang ..... D14/440  
D903,508 S \* 12/2020 Zhang ..... D10/30  
D913,291 S \* 3/2021 Zhang ..... D14/440  
D920,147 S \* 5/2021 Liu ..... D14/440  
D925,385 S \* 7/2021 Lin ..... D14/440  
D932,321 S \* 10/2021 Jung ..... D14/440  
D939,360 S \* 12/2021 Qu ..... D10/32  
2017/0248922 A1\* 8/2017 Hyneczek ..... A45C 11/12  
2019/0369563 A1\* 12/2019 Chen ..... G04B 37/22

**FOREIGN PATENT DOCUMENTS**

EM 008408025 \* 1/2021

\* cited by examiner

*Primary Examiner* — Katherine Glennon  
(74) *Attorney, Agent, or Firm* — Rumit Ranjit Kanakia

(57) **CLAIM**

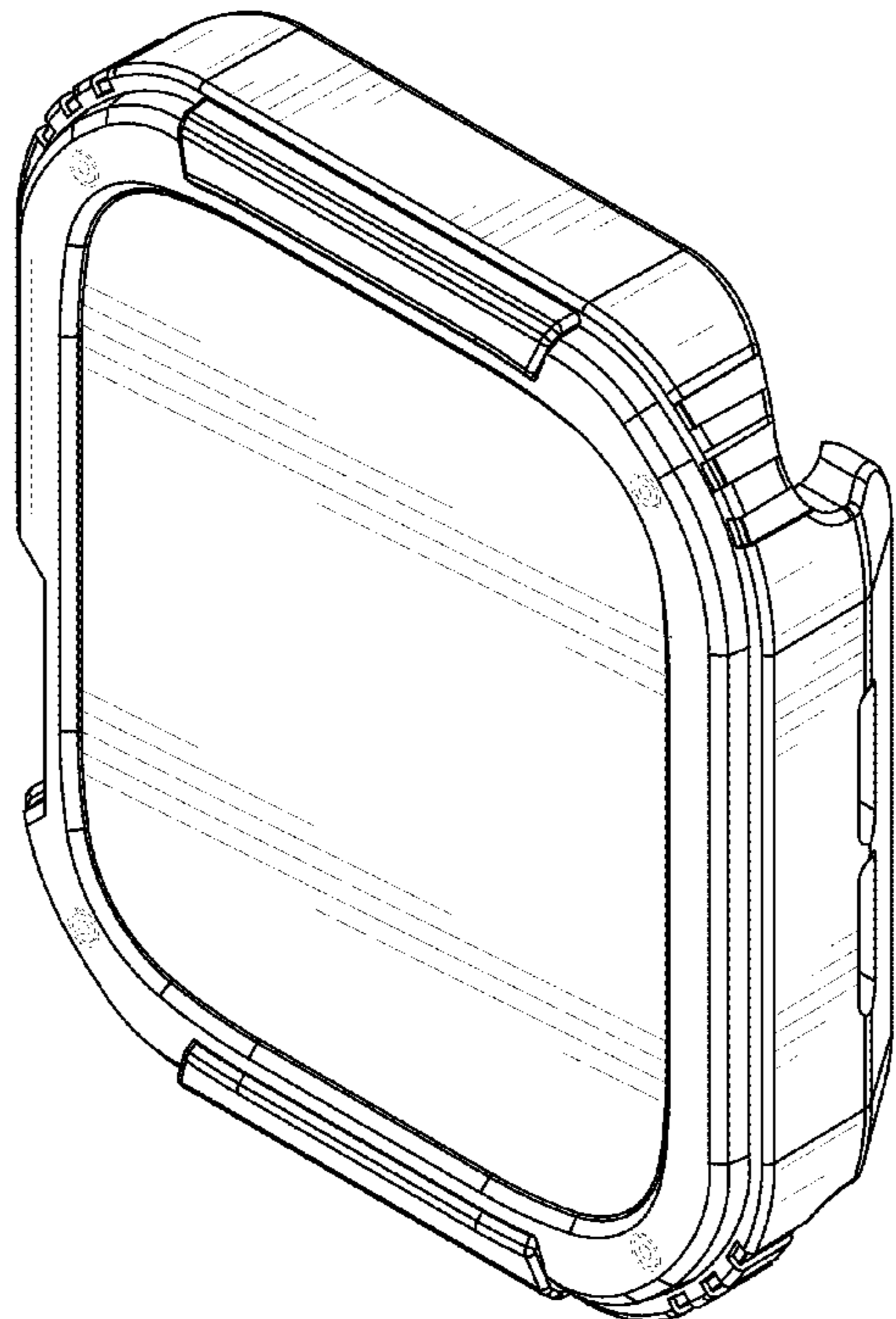
I claim the ornamental design for a smartwatch case, as shown and described.

**DESCRIPTION**

FIG. 1 is a Perspective view of a smartwatch case showing my new design;  
FIG. 2 is a Back view thereof;  
FIG. 3 is a Front view thereof;  
FIG. 4 is a Left-side view thereof;  
FIG. 5 is a Right-side view thereof;  
FIG. 6 is a Top view thereof; and,  
FIG. 7 is a Bottom view thereof.  
The broken lines in the drawings depict portions of the smartwatch case that form no part of the claimed design.

**1 Claim, 6 Drawing Sheets**

(56) **References Cited**  
U.S. PATENT DOCUMENTS  
D766,904 S \* 9/2016 Jung ..... D14/440  
D766,906 S \* 9/2016 Kim ..... D14/440  
D767,573 S 9/2016 Kim  
D856,160 S \* 8/2019 Yu ..... D10/32  
D877,153 S \* 3/2020 Peng ..... D14/440  
D885,229 S 5/2020 Kim  
D885,230 S \* 5/2020 Kim ..... D14/440  
D888,710 S \* 6/2020 Yun ..... D14/344  
D897,350 S \* 9/2020 Wang ..... D14/440



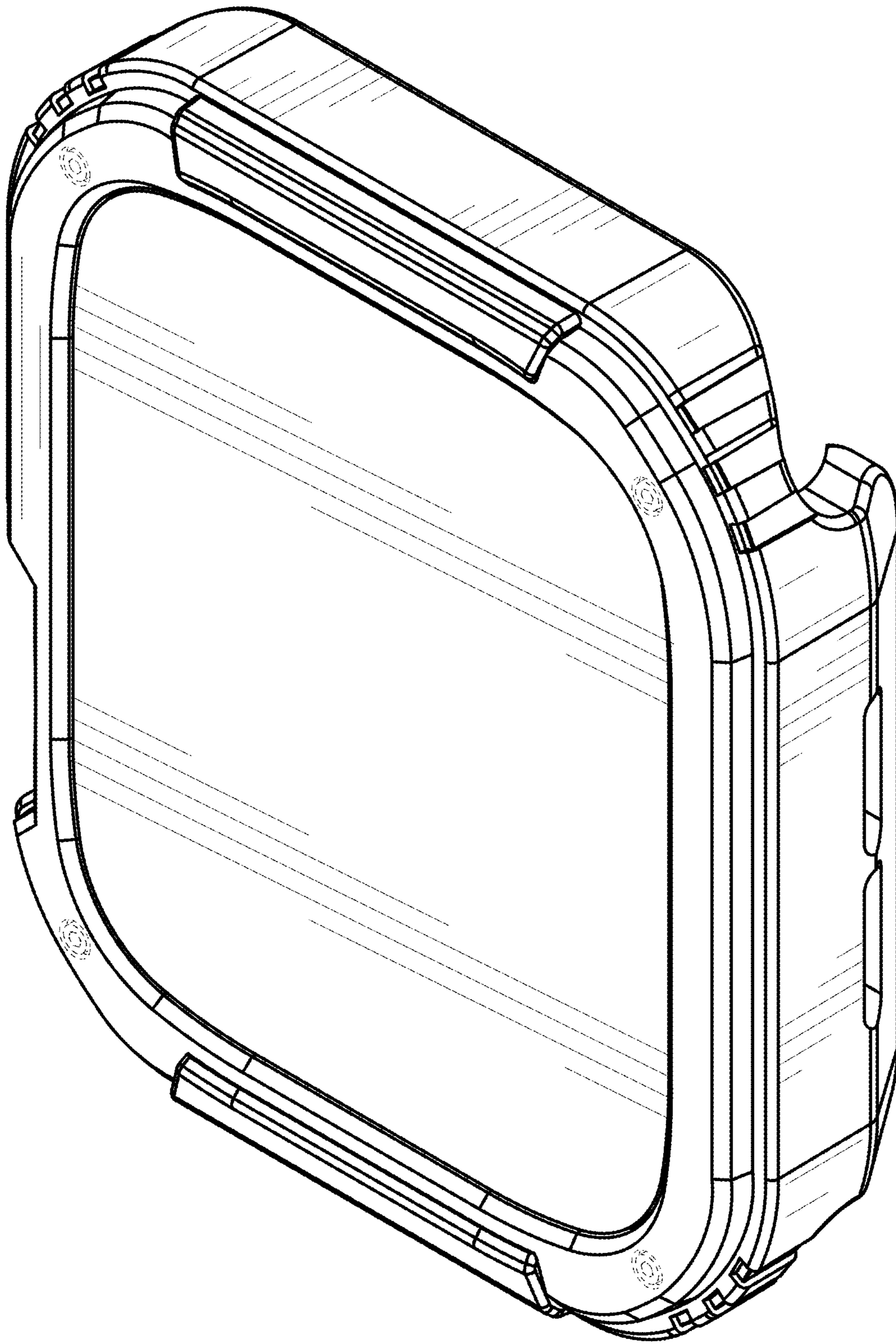


FIG. 1

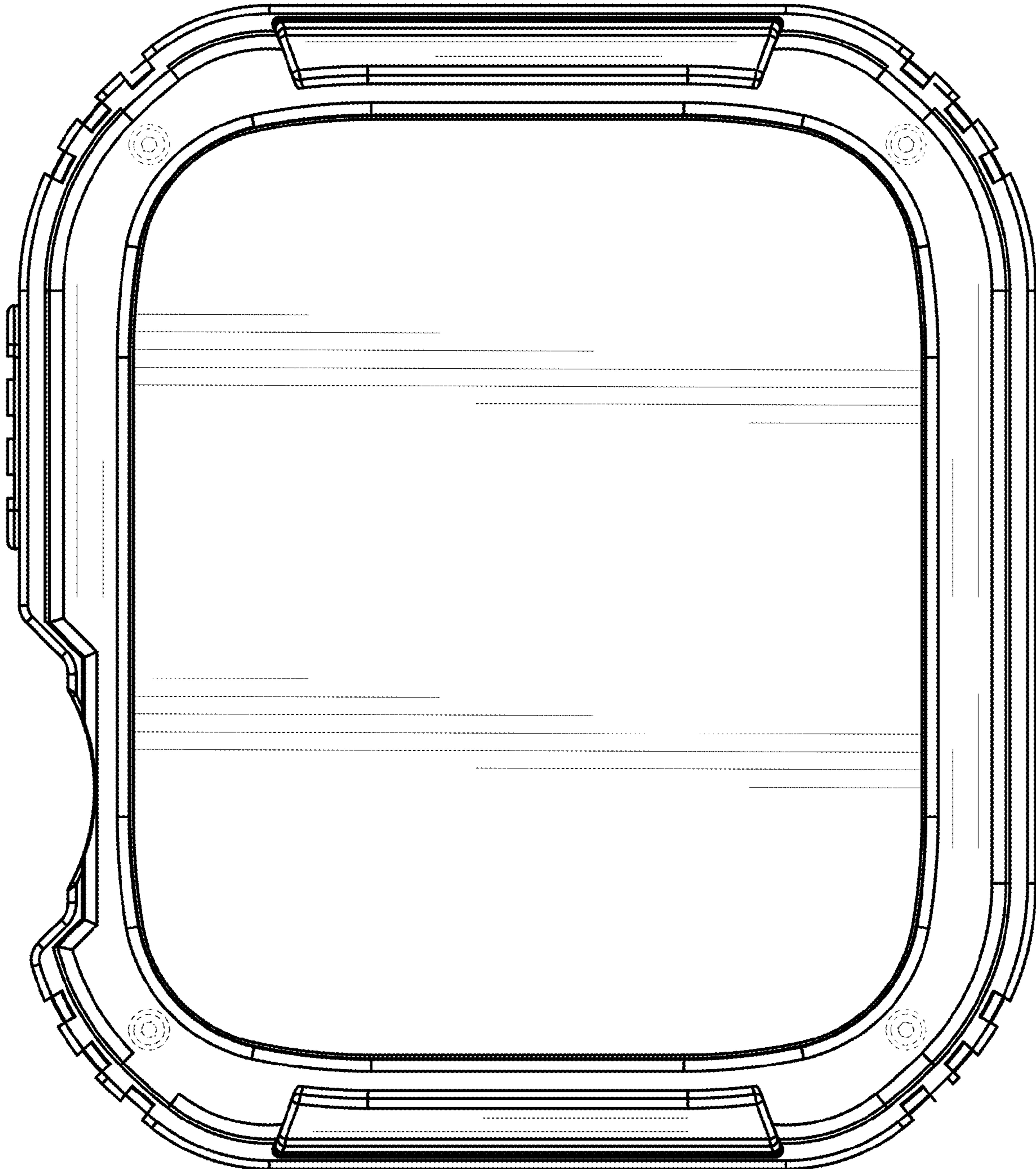


FIG. 2

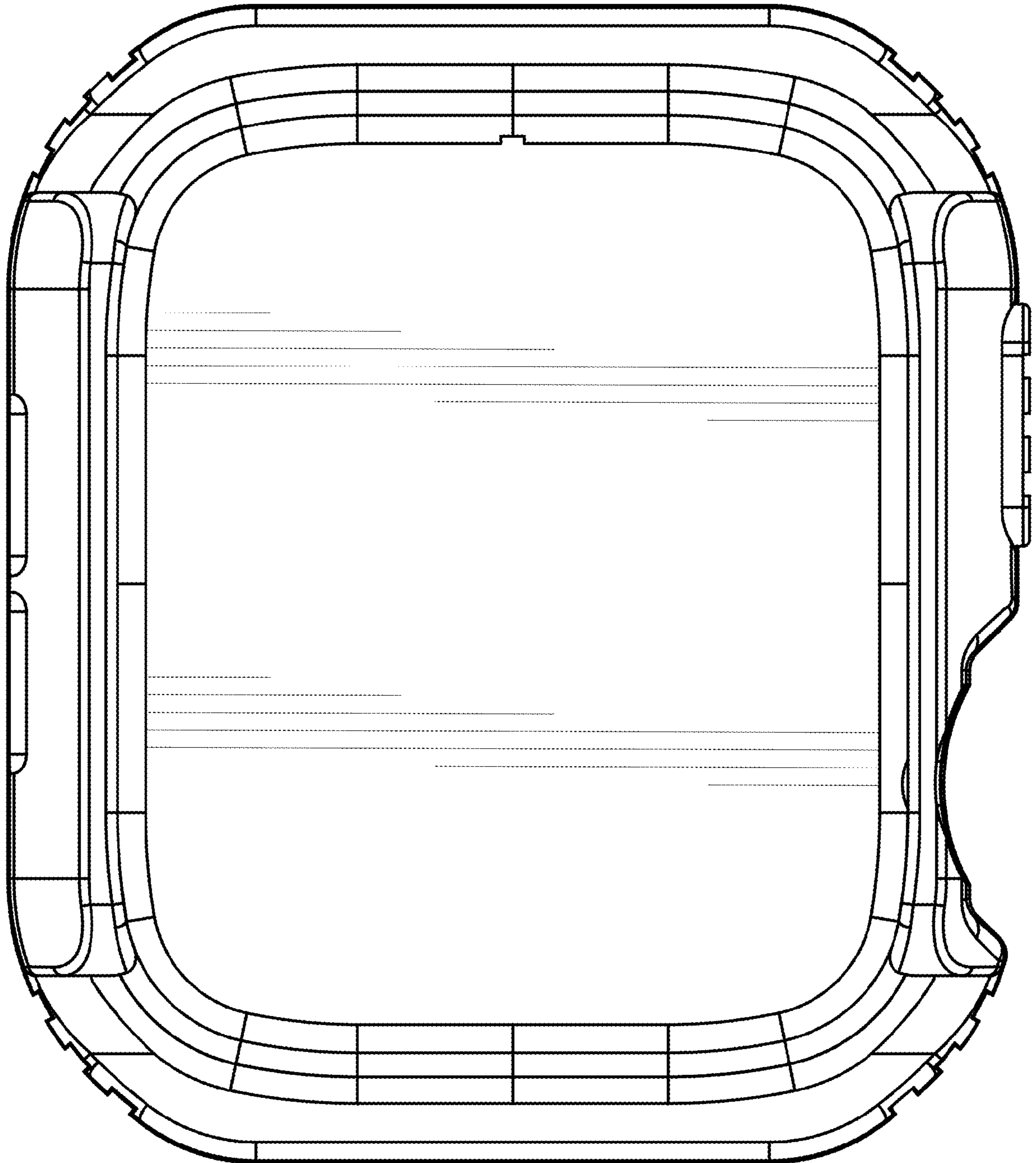


FIG. 3

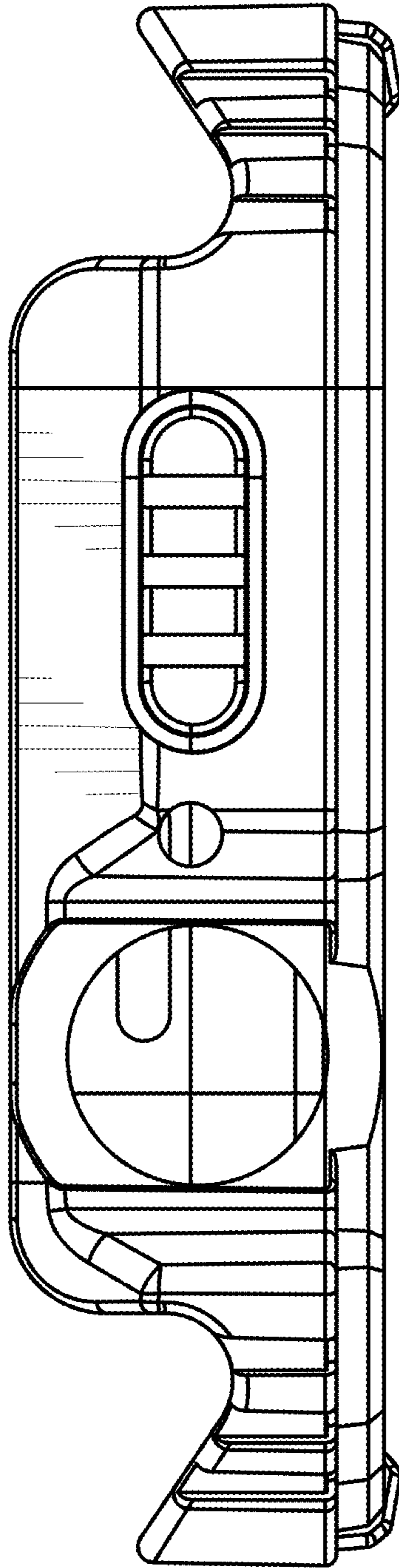


FIG. 4

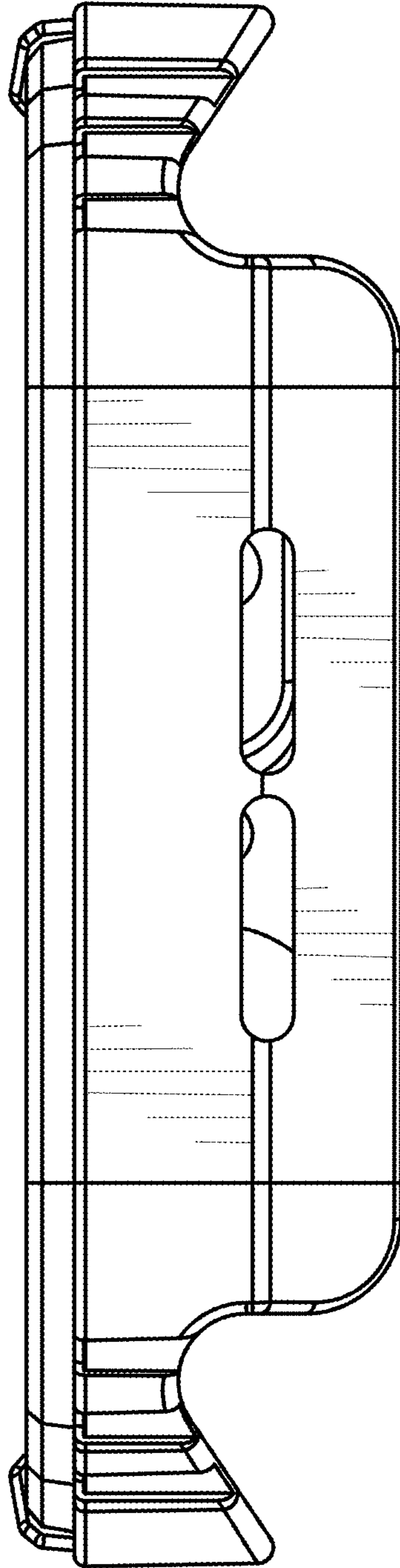


FIG. 5

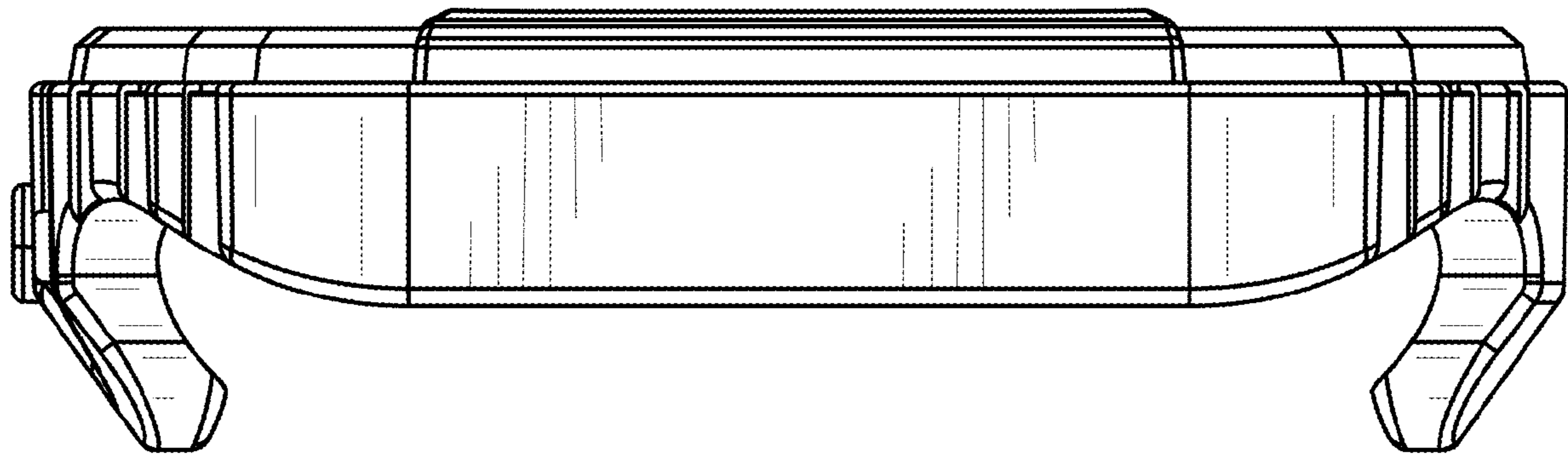


FIG. 6

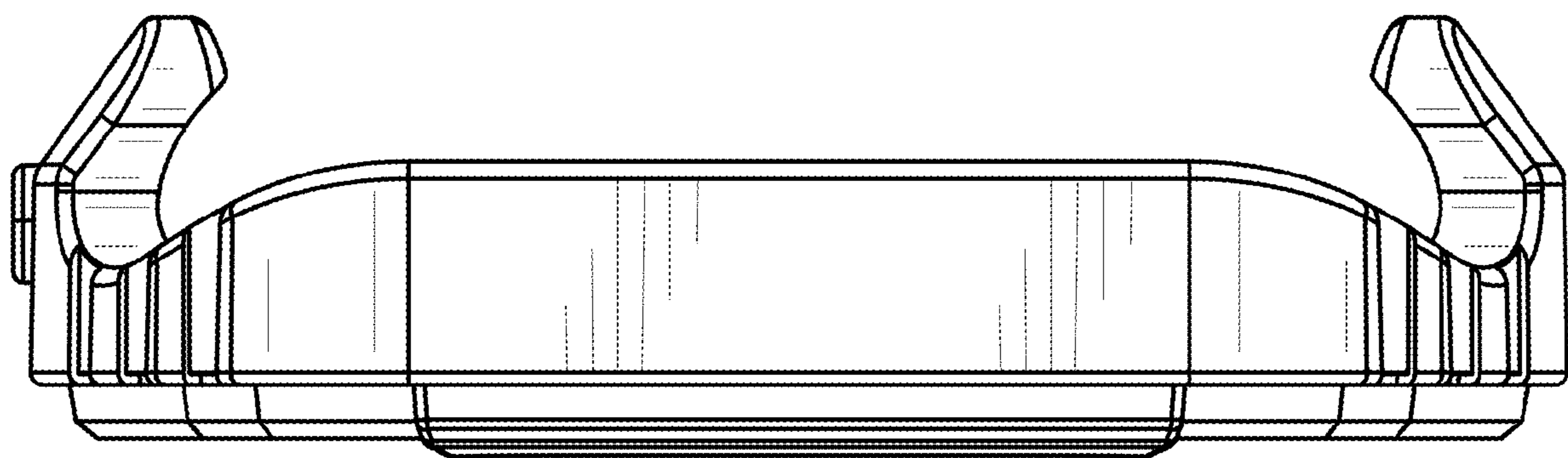


FIG. 7