



US00D949033S

(12) **United States Design Patent** (10) **Patent No.:** **US D949,033 S**  
**Zhu** (45) **Date of Patent:** **\*\* Apr. 19, 2022**

(54) **GAS DETECTOR**

D764,952 S \* 8/2016 Virhiä ..... D10/46  
D764,953 S \* 8/2016 Virhiä ..... D10/46  
D766,750 S \* 9/2016 Fadell ..... D10/53

(71) Applicant: **YEEZOU TECHNOLOGY CO., LTD.**, Guangdong (CN)

(Continued)

(72) Inventor: **Mucheng Zhu**, Guangdong (CN)

**OTHER PUBLICATIONS**

(73) Assignee: **YEEZOU TECHNOLOGY CO., LTD.**, Guangdong (CN)

Propane/Natural Gas Detector, Youtube, publication date Nov. 30, 2020, (online) URL: <https://www.youtube.com/watch?v=JncZ5BOCY4k> (Year: 2020).\*

(\*\*) Term: **15 Years**

(Continued)

(21) Appl. No.: **29/781,614**

*Primary Examiner* — L. A. Grabenstetter

*Assistant Examiner* — Antoinette Martine Suiter

(22) Filed: **Apr. 30, 2021**

(74) *Attorney, Agent, or Firm* — ScienBiziP, P.C.

(30) **Foreign Application Priority Data**

(57) **CLAIM**

Apr. 20, 2021 (CN) ..... 202130225450.1

The ornamental design for a gas detector, as shown and described.

(51) **LOC (13) Cl.** ..... **10-04**

**DESCRIPTION**

(52) **U.S. Cl.**  
USPC ..... **D10/81**

(58) **Field of Classification Search**  
USPC .. D10/71, 78, 21, 46, 75, 77, 70, 106.2, 81;  
D24/234, 216, 108, 107, 225, 224, 169,  
D24/223, 186; D13/184, 199, 118, 133;  
D26/26

FIG. 1 is a front, right, and top perspective view of a gas detector, showing my design.

FIG. 2 is a rear, left, and bottom perspective view thereof.

FIG. 3 is a front elevation view thereof.

FIG. 4 is a rear elevation view thereof.

FIG. 5 is a left side elevation view thereof.

FIG. 6 is a right side elevation view thereof.

FIG. 7 is a top plan view thereof.

FIG. 8 is a bottom plan view thereof.

FIG. 9 is a partial enlarged view of an area labeled 9 in FIG. 1 comprising a part of a panel; and,

FIG. 10 is a partial enlarged view of an area labeled 10 in FIG. 2 comprising a side wall.

The dash-dash broken lines in the drawings illustrate the portions of the gas detector which form no part of the claimed design.

The dot-dash broken lines in the drawings are included for the purpose of illustrating the partial enlarged views and form no part of the claimed design.

CPC ..... G08B 17/10; G08B 21/12; G08B 21/14;  
G08B 29/18; G08B 17/113; G08B 3/10;  
G08B 25/10; G08B 29/16

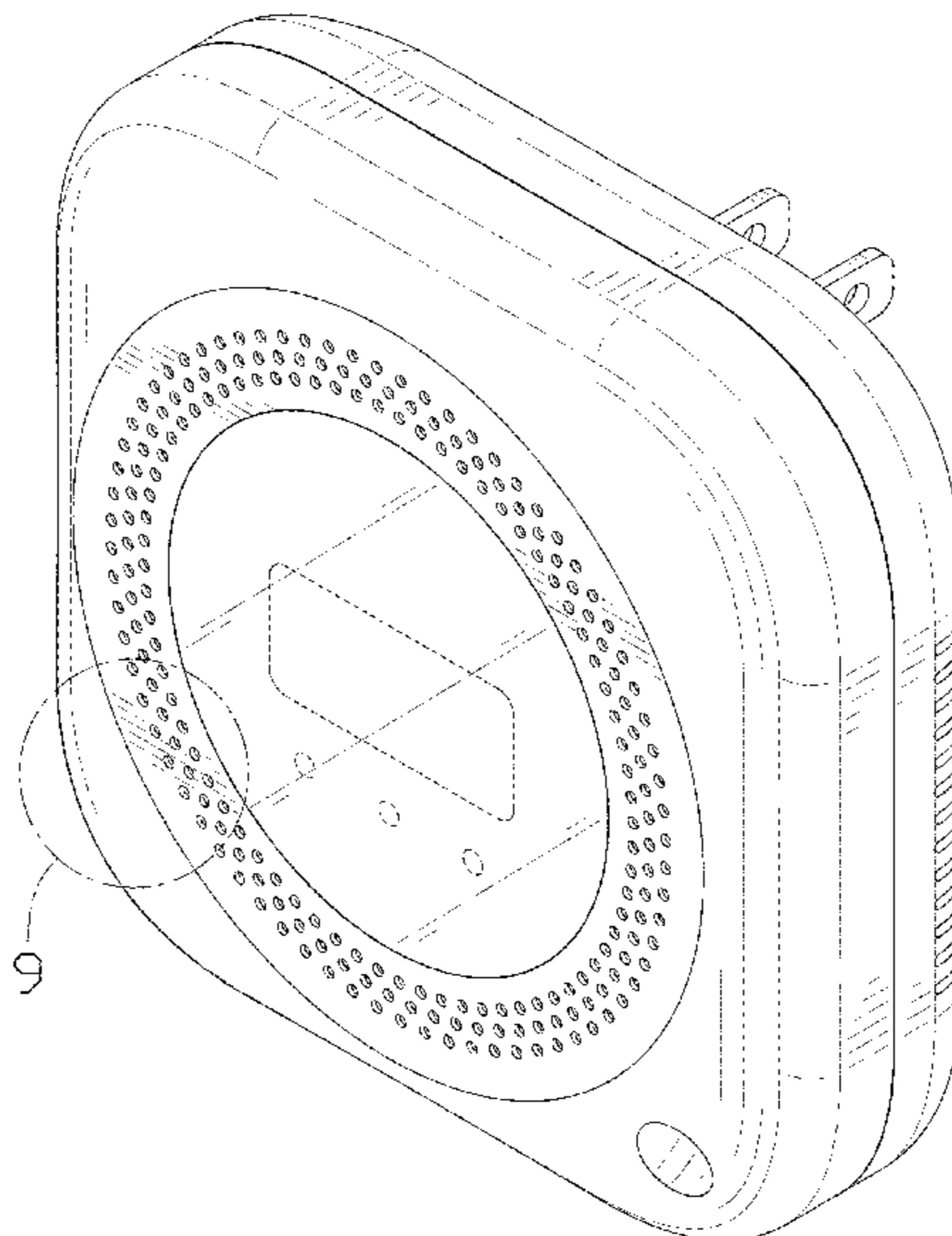
See application file for complete search history.

(56) **References Cited**

**U.S. PATENT DOCUMENTS**

D584,176 S \* 1/2009 Maruyama ..... D10/70  
D637,097 S \* 5/2011 Tseng ..... D10/70  
D648,298 S \* 11/2011 Pierce ..... D14/138 G  
D693,249 S \* 11/2013 Anderssen ..... D10/70  
D724,462 S \* 3/2015 Bould ..... D10/106.2  
D730,754 S \* 6/2015 Bould ..... D10/53  
D730,755 S \* 6/2015 Bould ..... D10/53

**1 Claim, 10 Drawing Sheets**



(56)

**References Cited**

## U.S. PATENT DOCUMENTS

9,466,194 B1 \* 10/2016 Kraz ..... G08B 3/10  
D793,263 S \* 8/2017 Ye ..... D10/118.2  
D794,488 S \* 8/2017 Ye ..... D10/118.2  
D799,018 S \* 10/2017 Kim ..... D23/370  
D811,916 S 3/2018 Lee et al.  
D826,752 S 8/2018 Lee et al.  
D830,861 S \* 10/2018 McNealy ..... D10/56  
D842,724 S \* 3/2019 Vandenbussche ..... D10/70  
D850,627 S \* 6/2019 Purani ..... D10/70  
D857,635 S \* 8/2019 PrevotEAU ..... D13/162  
D864,767 S \* 10/2019 Vandenbussche ..... D10/70  
D867,316 S \* 11/2019 Newton ..... D14/137  
D871,933 S \* 1/2020 Zhang ..... D10/50  
D873,448 S \* 1/2020 Zhang ..... D26/26  
D903,664 S \* 12/2020 Riot ..... D14/344  
D910,011 S \* 2/2021 Vandenbussche ..... D14/344  
D910,587 S \* 2/2021 Newton ..... D14/149  
D912,621 S \* 3/2021 Qiu ..... D13/108  
D916,612 S \* 4/2021 Konotopskyi ..... D10/116.1  
D928,149 S \* 8/2021 Boucard ..... D14/383  
D937,061 S \* 11/2021 Gong ..... D8/52  
D942,284 S \* 2/2022 Burns ..... D10/70  
D942,881 S \* 2/2022 Siminoff ..... D10/106.6

## OTHER PUBLICATIONS

Techamor Y302 Natural Gas Detector and Propane Alarm, Gas Sniffer, Propane Tester and Monitor with Voice Warning, Amazon, product review date Jul. 22, 2020, (online) URL: <https://www.amazon.com/Techamor-Methane-Propane-Combustible-Detector/dp/B089K9N3YH> (Year: 2020).\*

\* cited by examiner

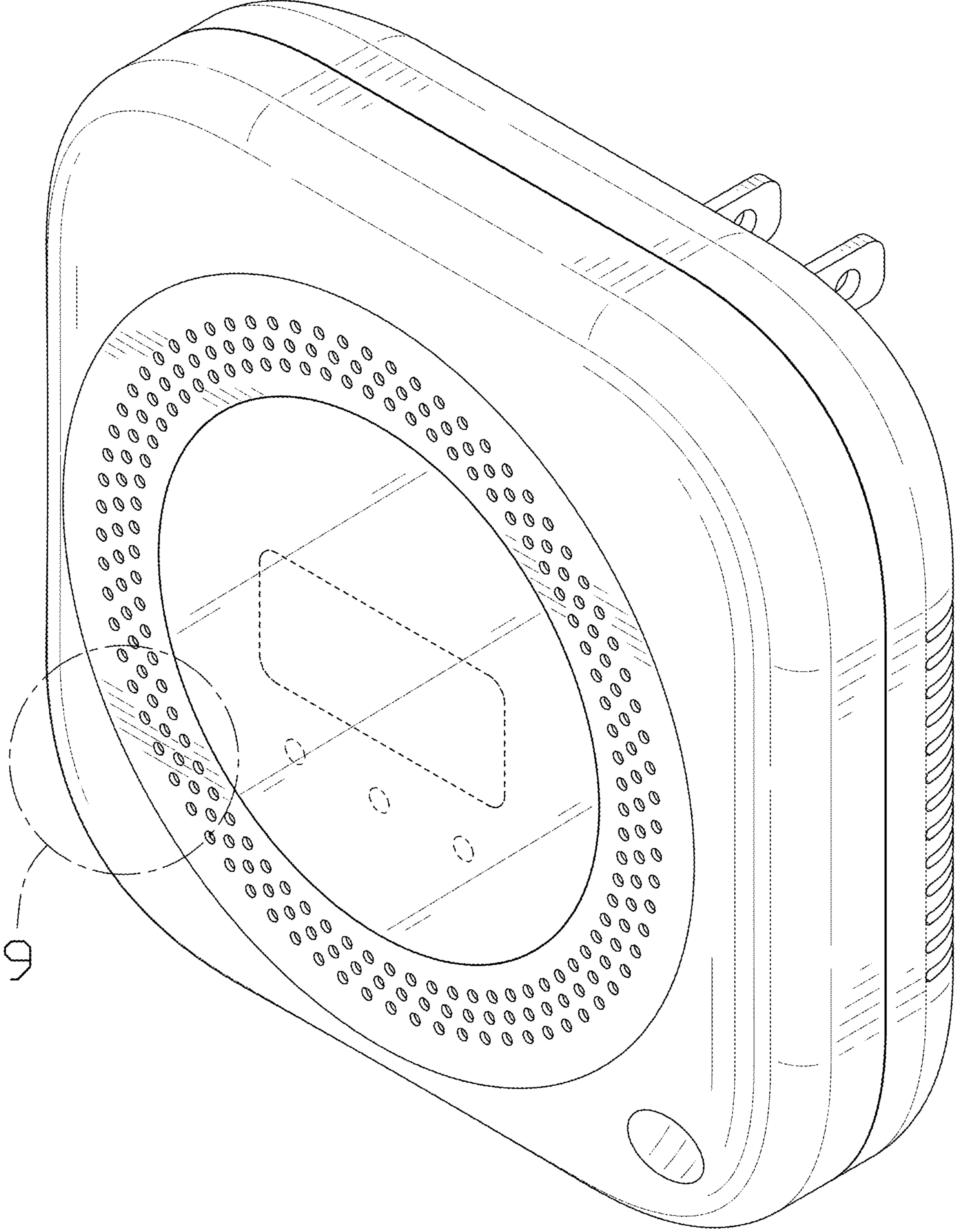


FIG. 1



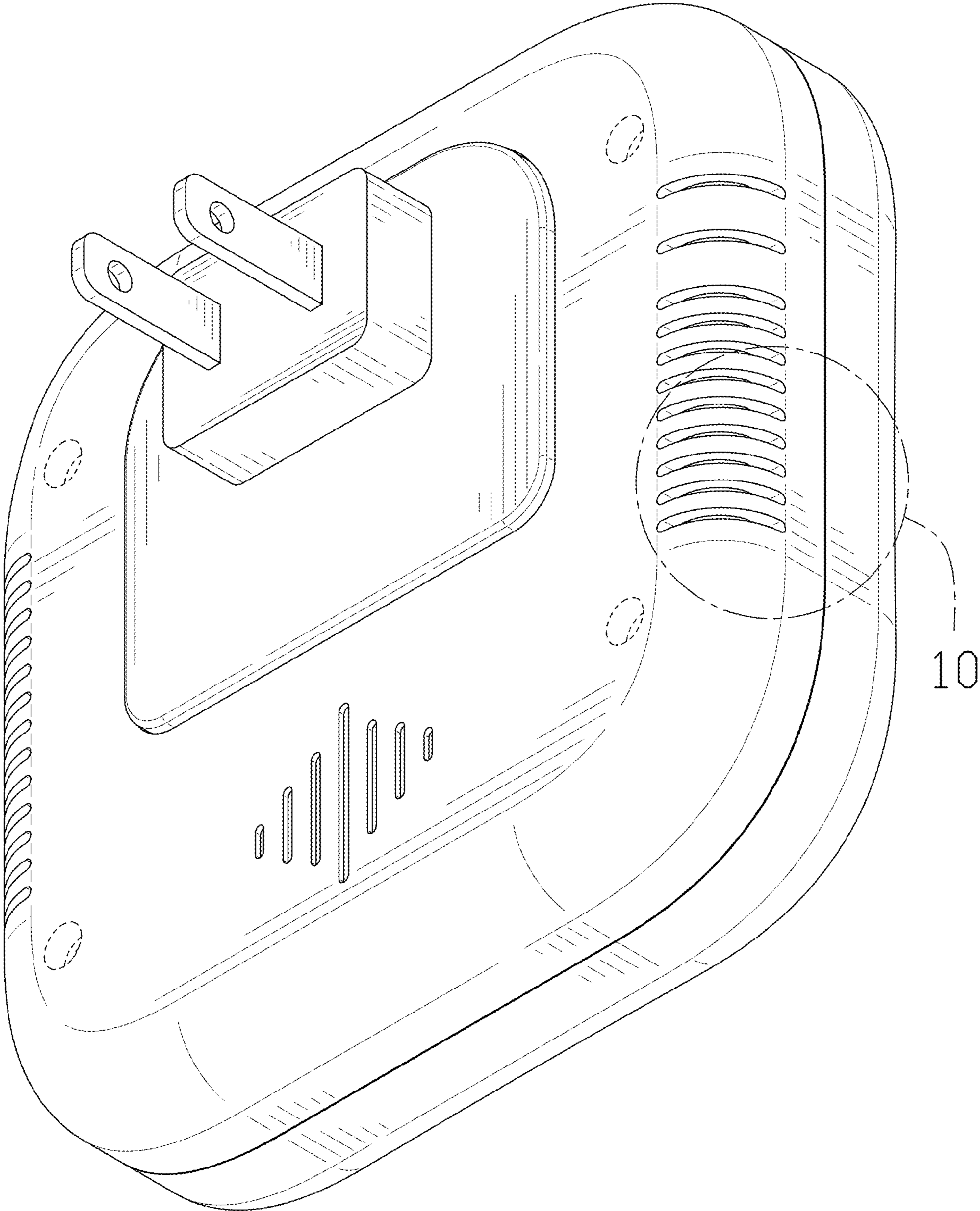


FIG. 2

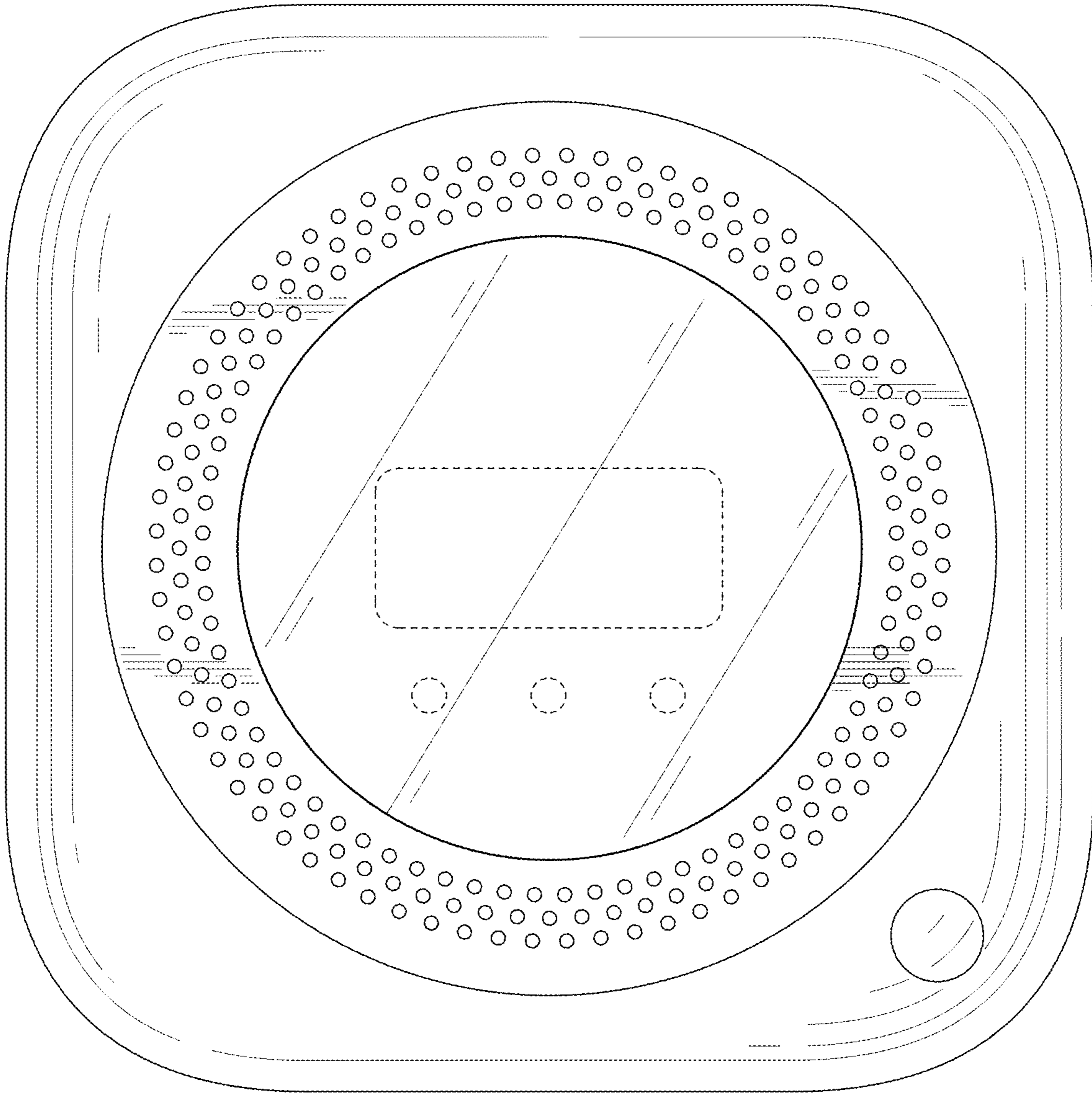


FIG. 3

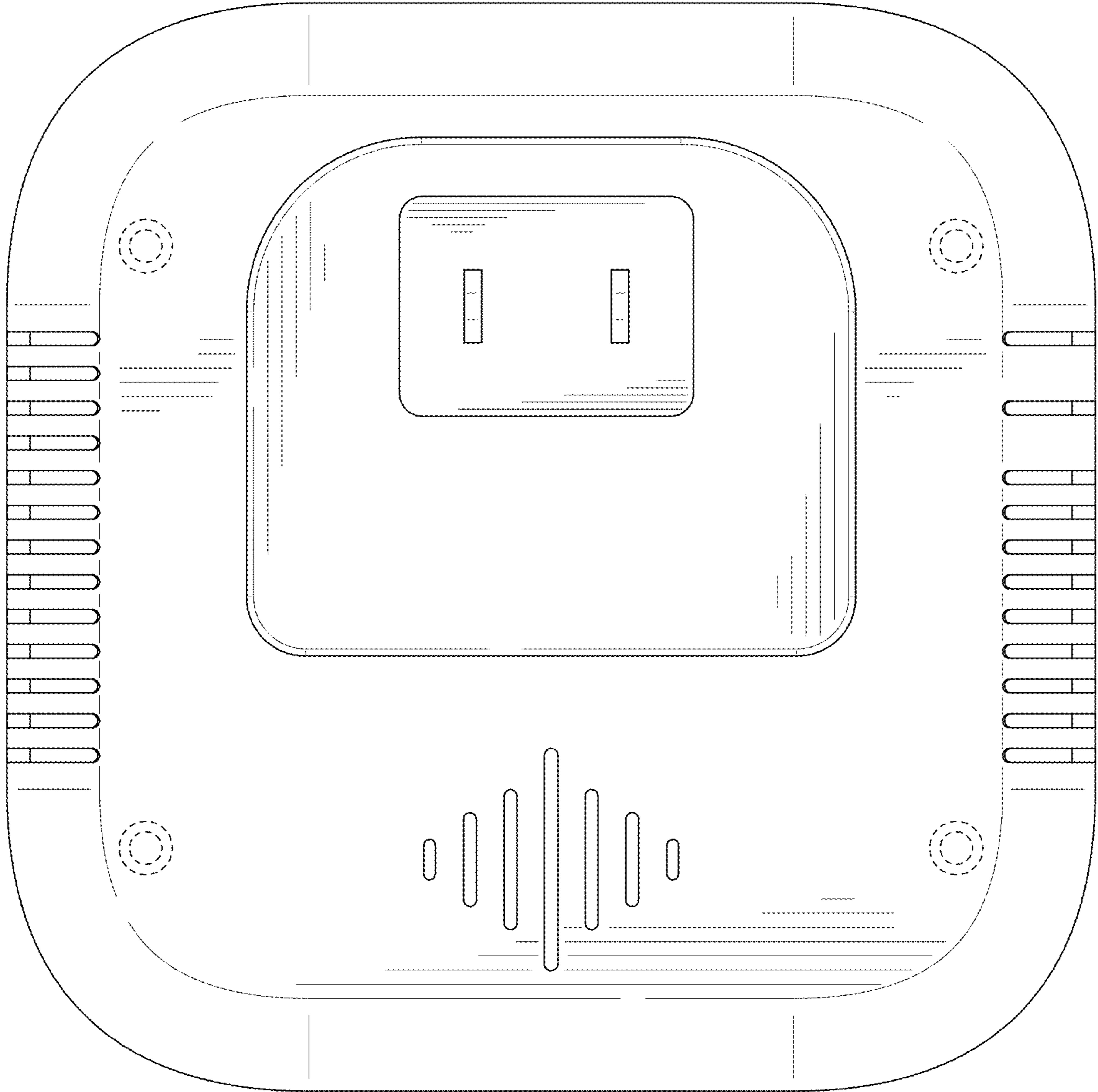


FIG. 4

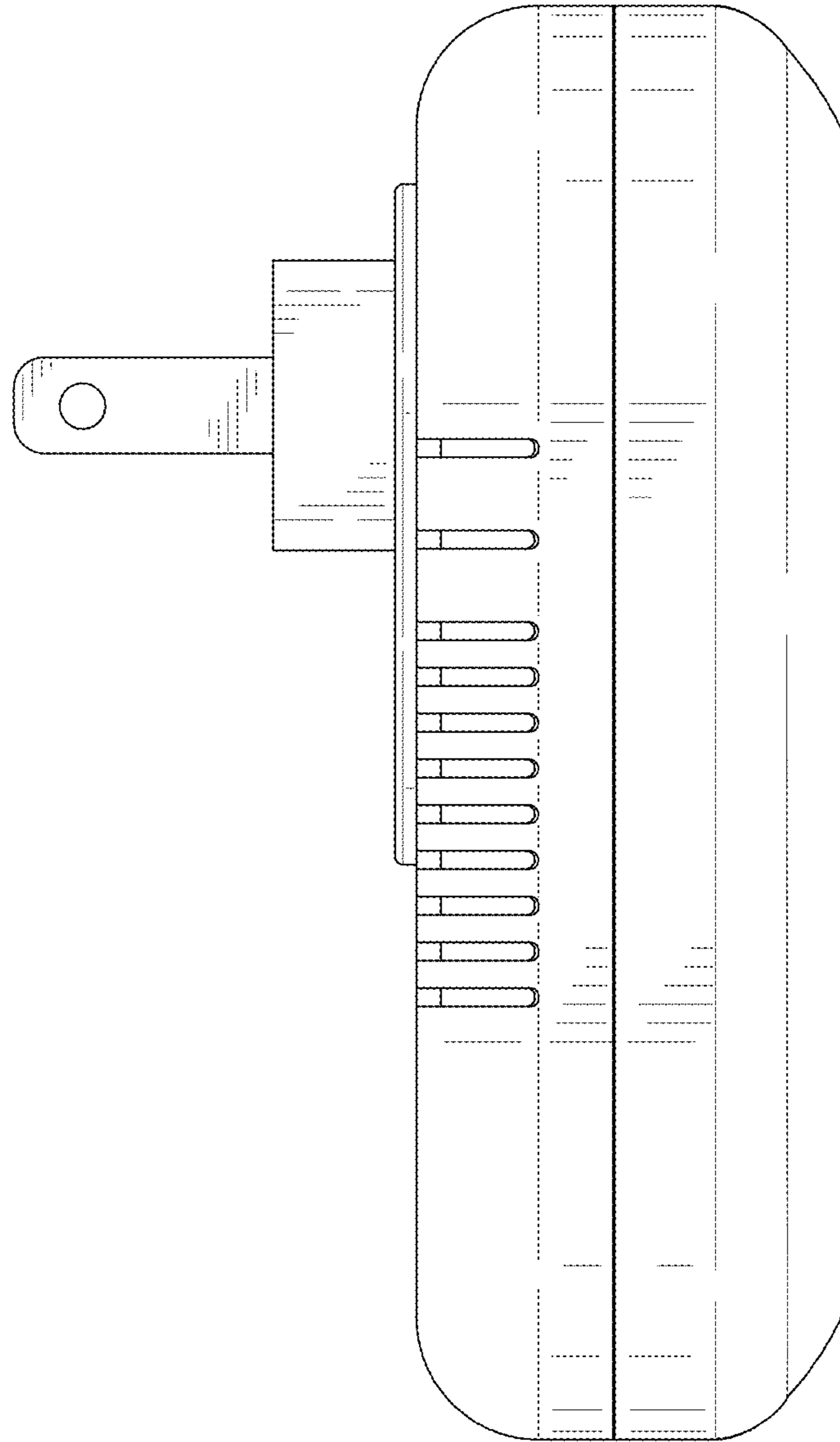


FIG. 5

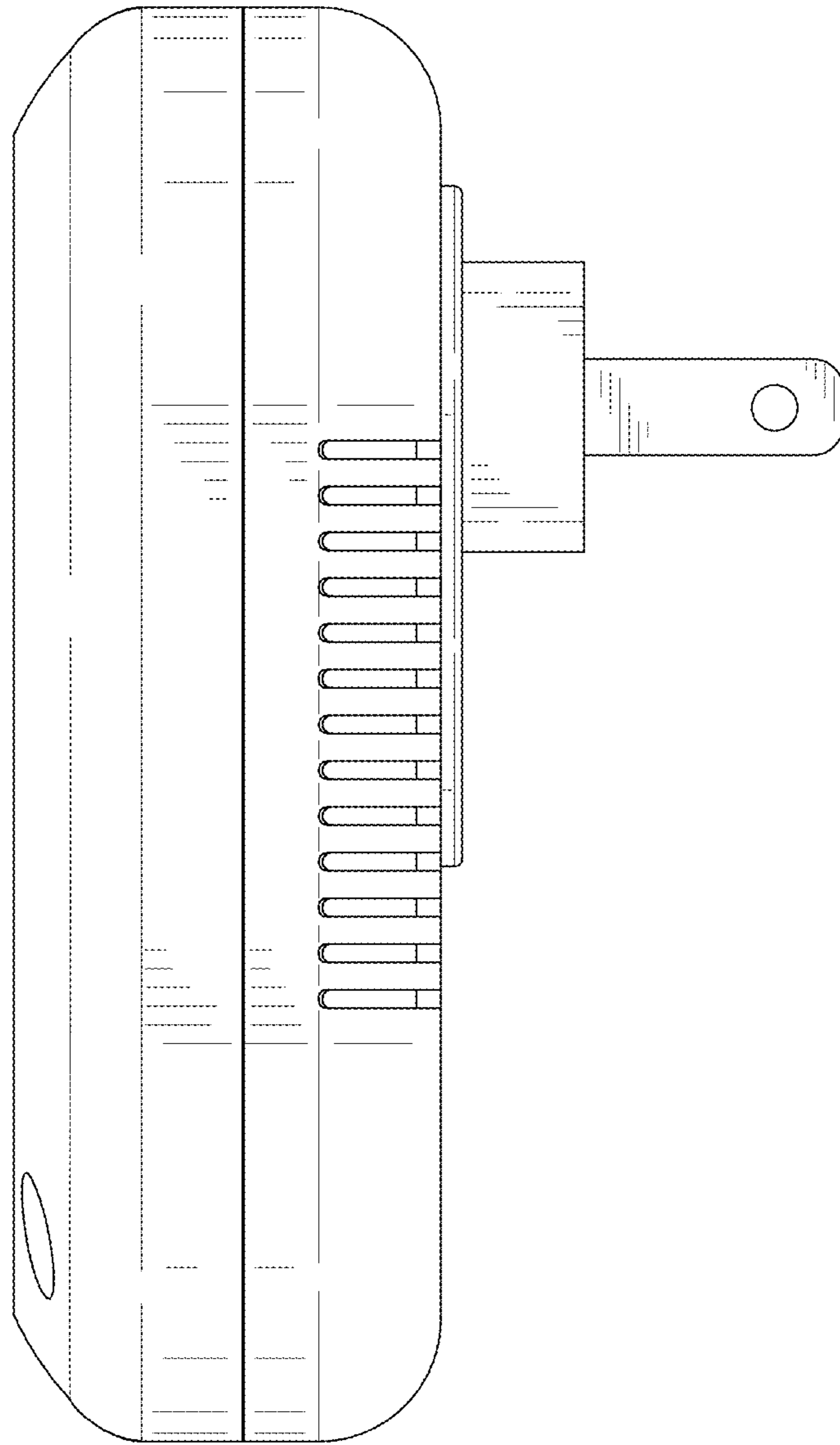


FIG. 6



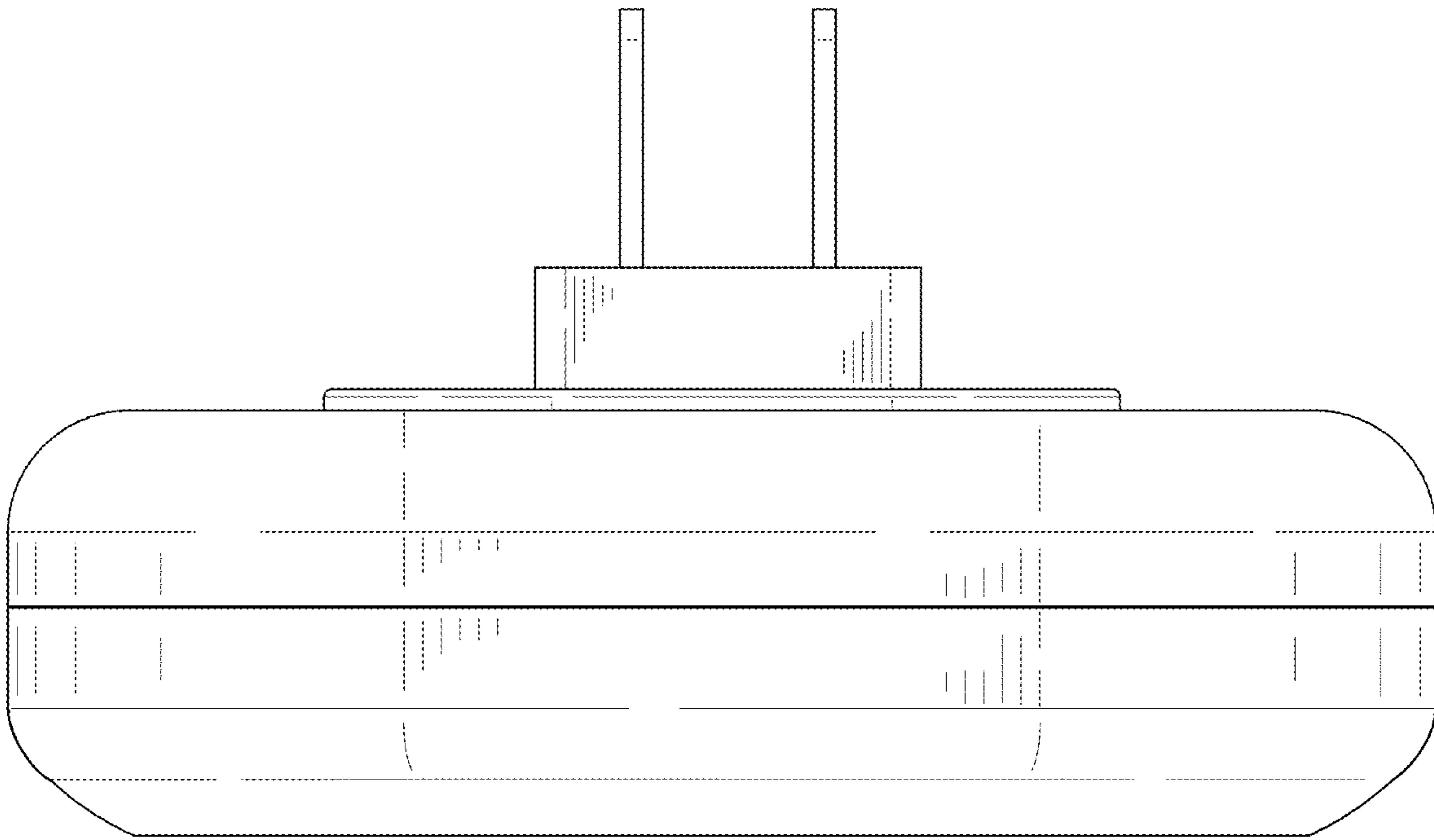


FIG. 7

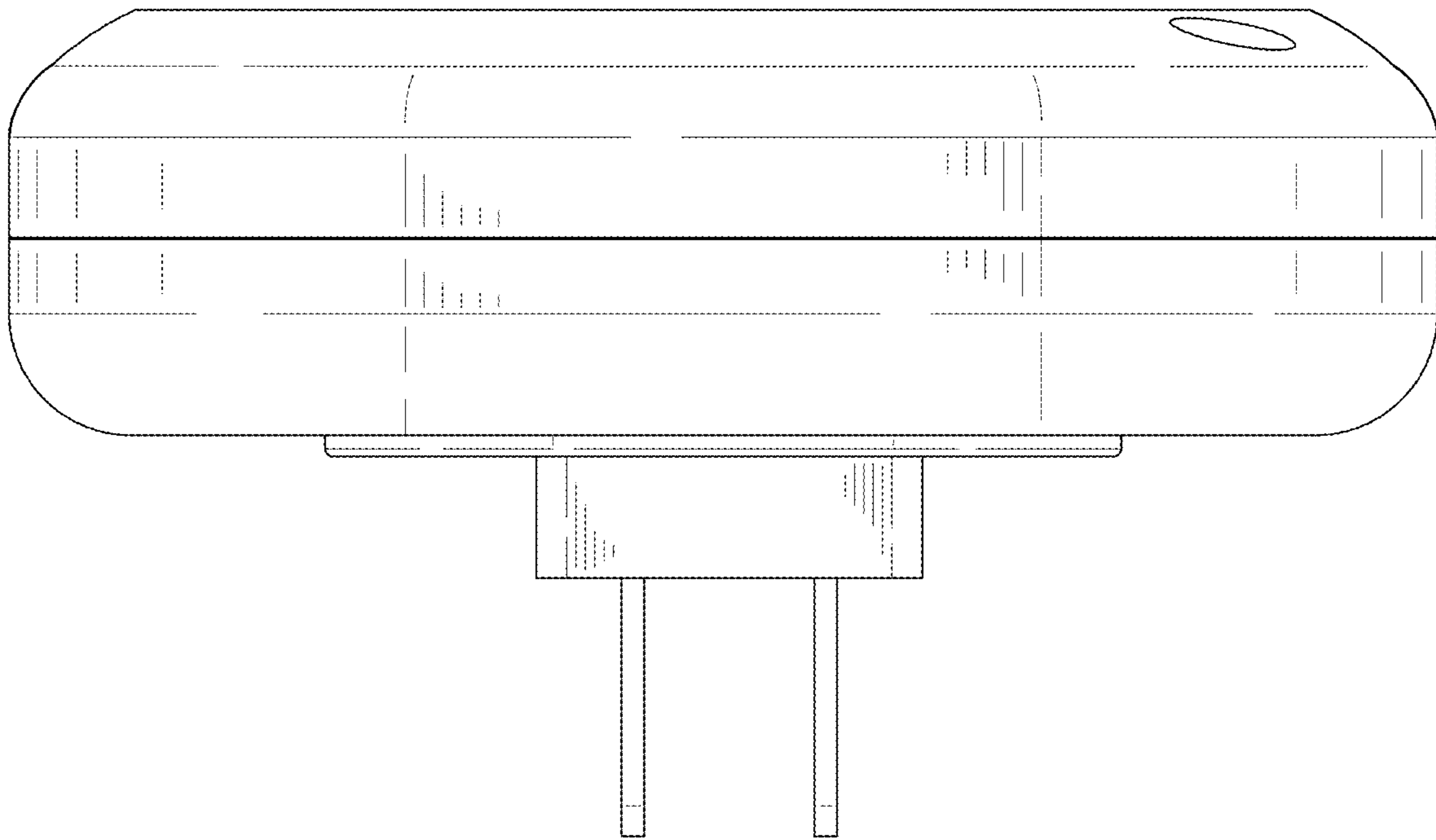


FIG. 8

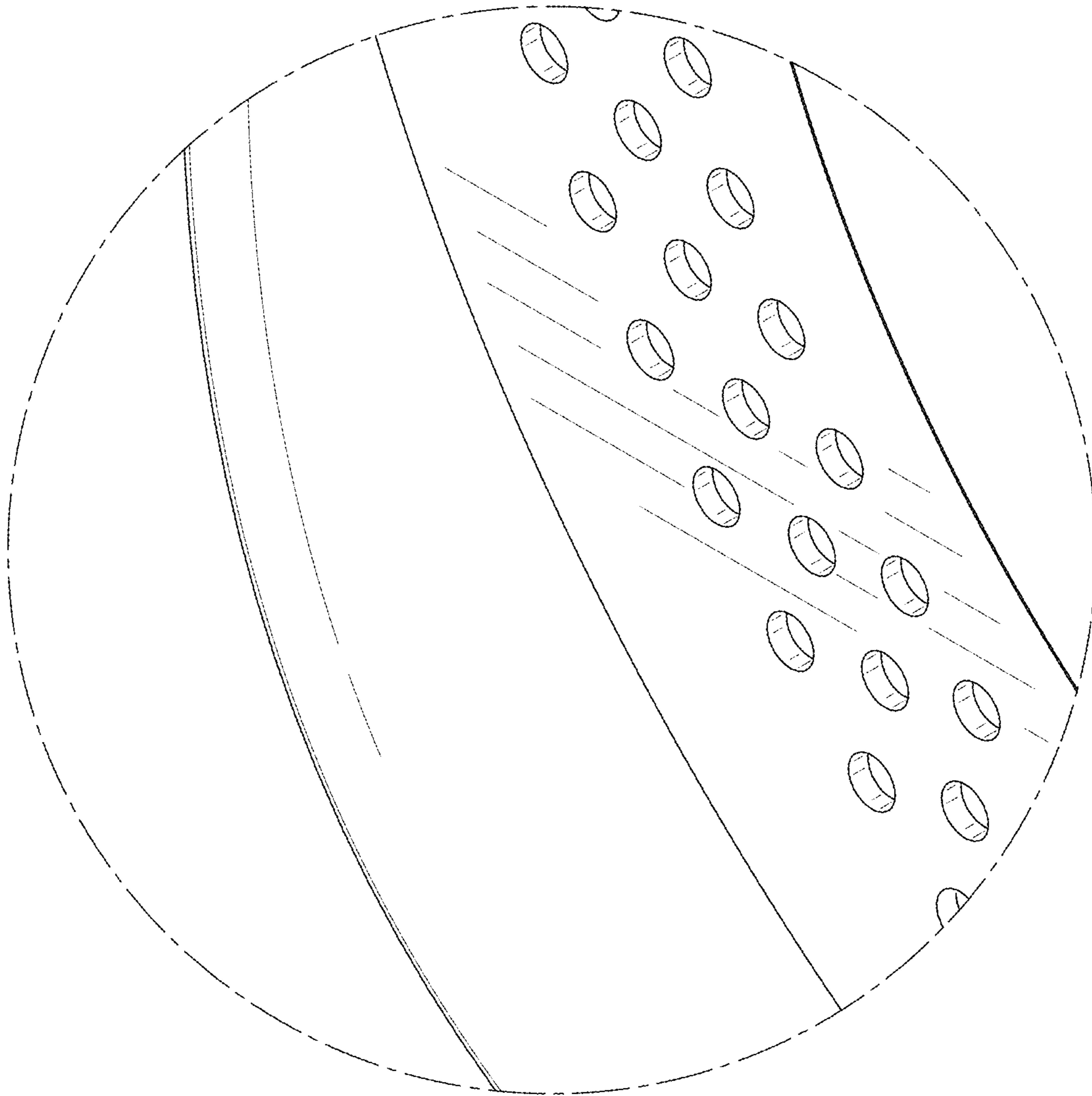


FIG. 9

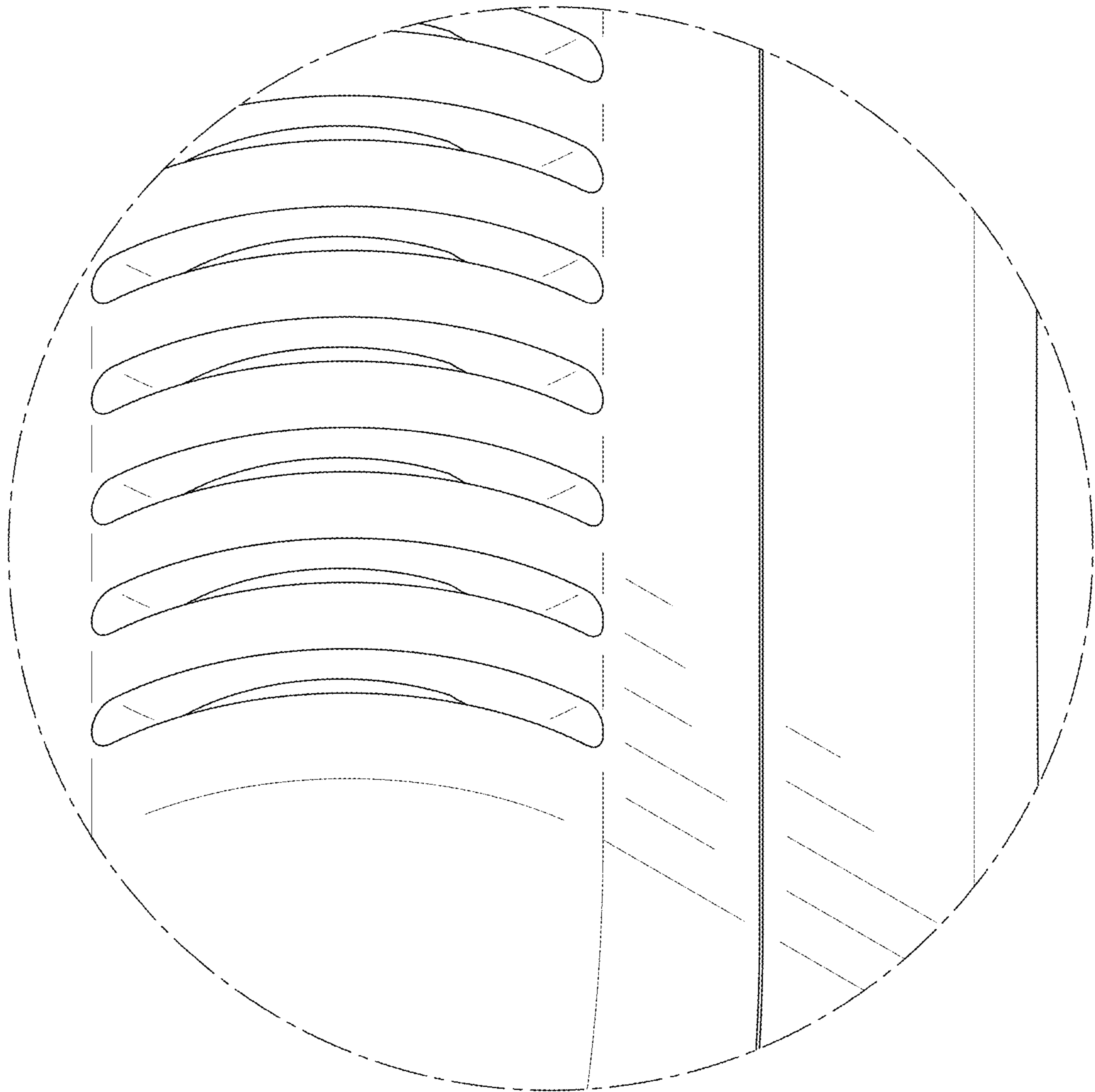


FIG. 10