



US00D949030S

(12) **United States Design Patent**
Timmerman

(10) **Patent No.:** **US D949,030 S**
(45) **Date of Patent:** **** Apr. 19, 2022**

(54) **SENSOR DEVICE THAT MEASURES SHAFT ROTATION**

(71) Applicant: **Martin Engineering Company,**
Neponset, IL (US)

(72) Inventor: **Andrew Timmerman,** Geneseo, IL
(US)

(73) Assignee: **Martin Engineering Company,**
Neponset, IL (US)

(**) Term: **15 Years**

(21) Appl. No.: **29/725,290**

(22) Filed: **Feb. 24, 2020**

(51) **LOC (13) Cl.** **10-04**

(52) **U.S. Cl.**
USPC **D10/70**

(58) **Field of Classification Search**
USPC D10/75, 65, 70, 81; D12/192; D3/207,
D3/208; D14/216, 230, 243; D28/9;
D34/29; D16/123, 124, 203; D30/108;
D99/25; D06/512, 708, 708.25, 329
CPC . G06F 3/16; G08B 3/00; H04M 11/00; H04N
7/14; H04N 7/26

See application file for complete search history.

(56) **References Cited**

U.S. PATENT DOCUMENTS

5,992,778	A *	11/1999	Rumsey	B08B 7/02 241/282.1
6,443,294	B1 *	9/2002	Brody	B65G 45/16 198/499
D500,856	S *	1/2005	Hellstrom	D10/81
7,258,225	B2 *	8/2007	Hall	B65G 11/206 193/16
D576,762	S *	9/2008	Conroy	D26/138
7,967,129	B2 *	6/2011	Swinderman	B65G 39/16 198/825
7,971,705	B2 *	7/2011	Jabber	B65G 39/12 198/830

8,236,235	B2 *	8/2012	Miller	C21B 7/163 266/265
D753,108	S *	4/2016	Kuwabara	D14/344
2019/0056759	A1 *	2/2019	Wang	G05G 9/047

OTHER PUBLICATIONS

Torque and Rotational Speed Sensor Based on Resistance and Capacitive Grating for Rotational Shaft of Mechanical Systems, publication date Aug. 2020, (online) URL: <https://www.sciencedirect.com/science/article/pii/S0888327020301230> (Year: 2020).*

* cited by examiner

Primary Examiner — L. A. Grabenstetter

Assistant Examiner — Antoinette Martine Suiter

(74) *Attorney, Agent, or Firm* — Dinsmore & Shohl LLP

(57) **CLAIM**

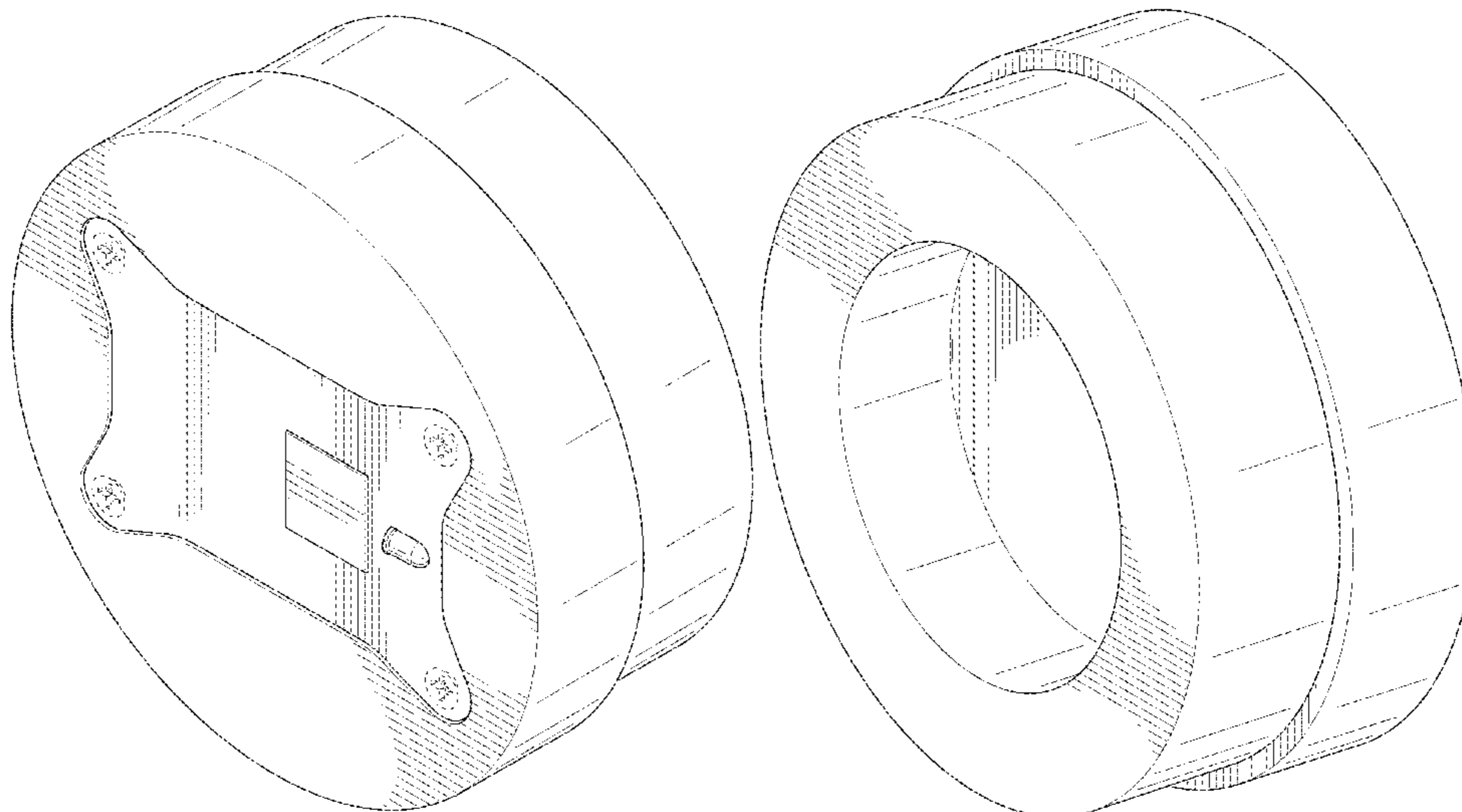
The ornamental design for a sensor device that measures shaft rotation, as shown and described.

DESCRIPTION

FIG. 1 is a front perspective view of a sensor device that measures shaft rotation illustrating my new design; FIG. 2 is a rear perspective view of the design of FIG. 1; FIG. 3 is a front view of the design of FIG. 1; FIG. 4 is a rear view of the design of FIG. 1; FIG. 5 is a side view of the design of FIG. 1; FIG. 6 is a side view of the design of FIG. 1; FIG. 7 is a side view of the design of FIG. 1; FIG. 8 is a side view of the design of FIG. 1; and, FIG. 9 is a perspective view of the design of FIG. 1 in use on a shaft.

The broken lines depicting screws on the sensor device that measures shaft rotation represent portions of the article that form no part of the claimed design. The broken lines depicting the shaft of a conveyor cleaning apparatus in FIG. 9 represent environmental structure that forms no part of the claimed design.

1 Claim, 7 Drawing Sheets



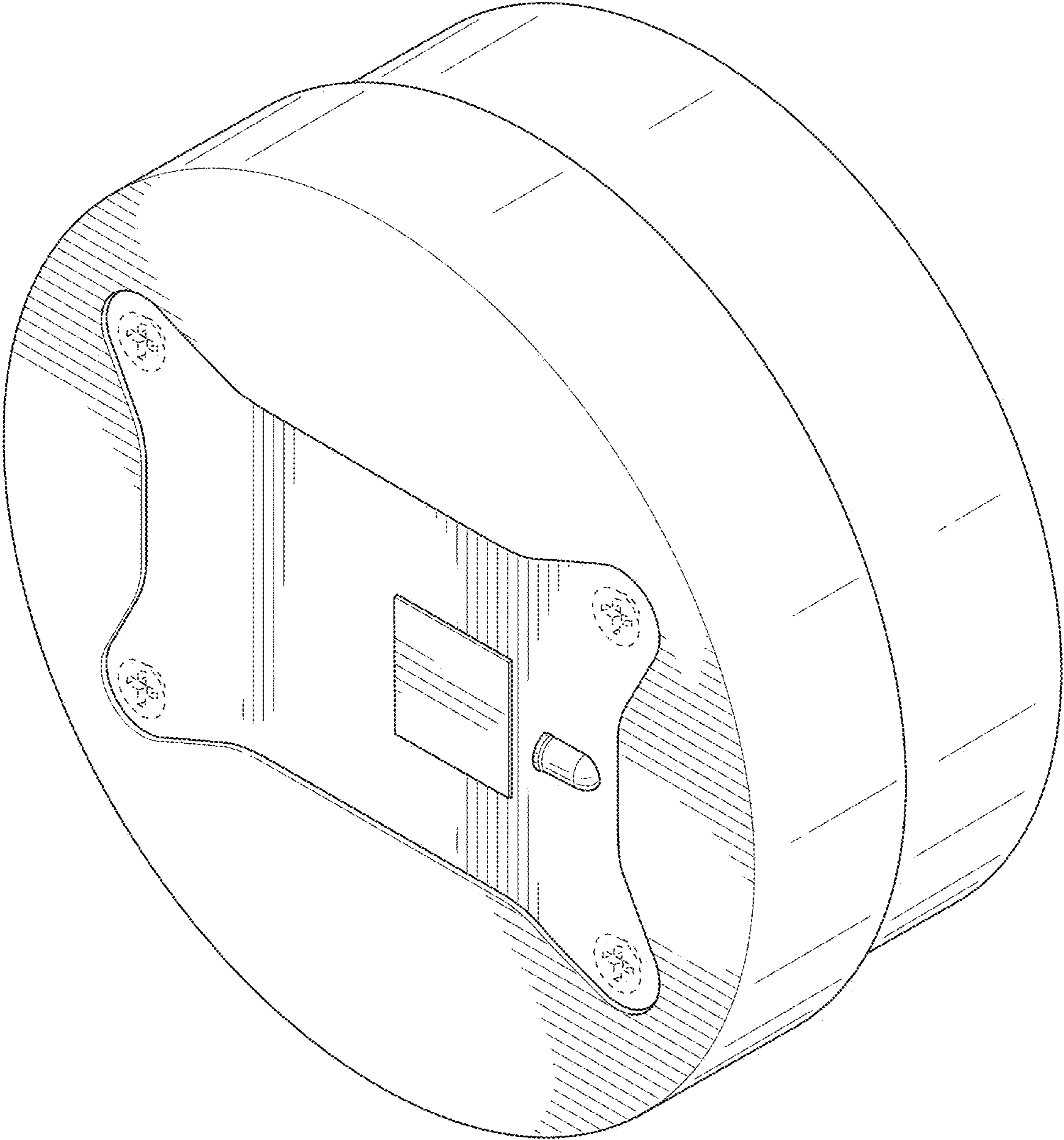


FIG. 1

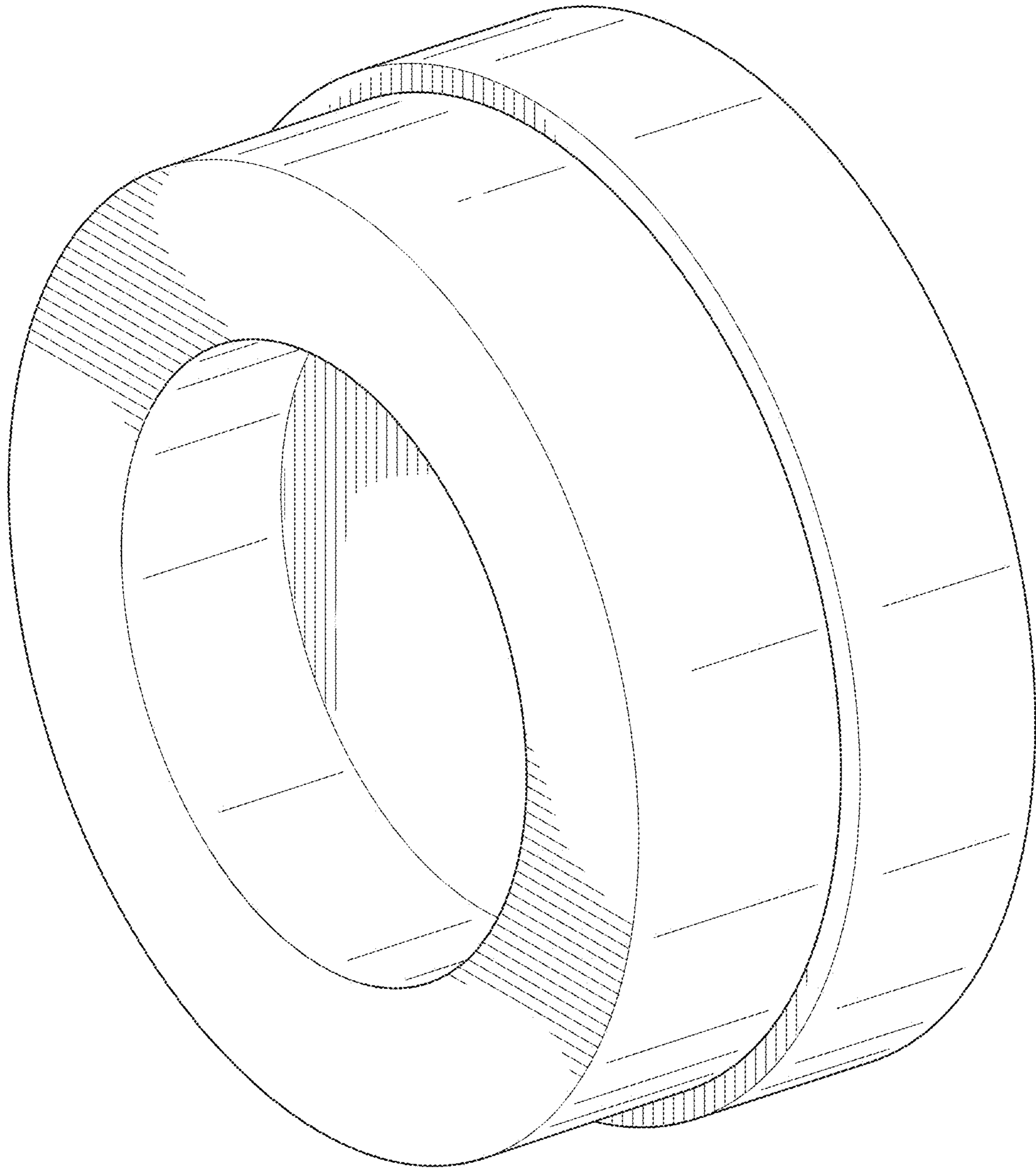


FIG. 2

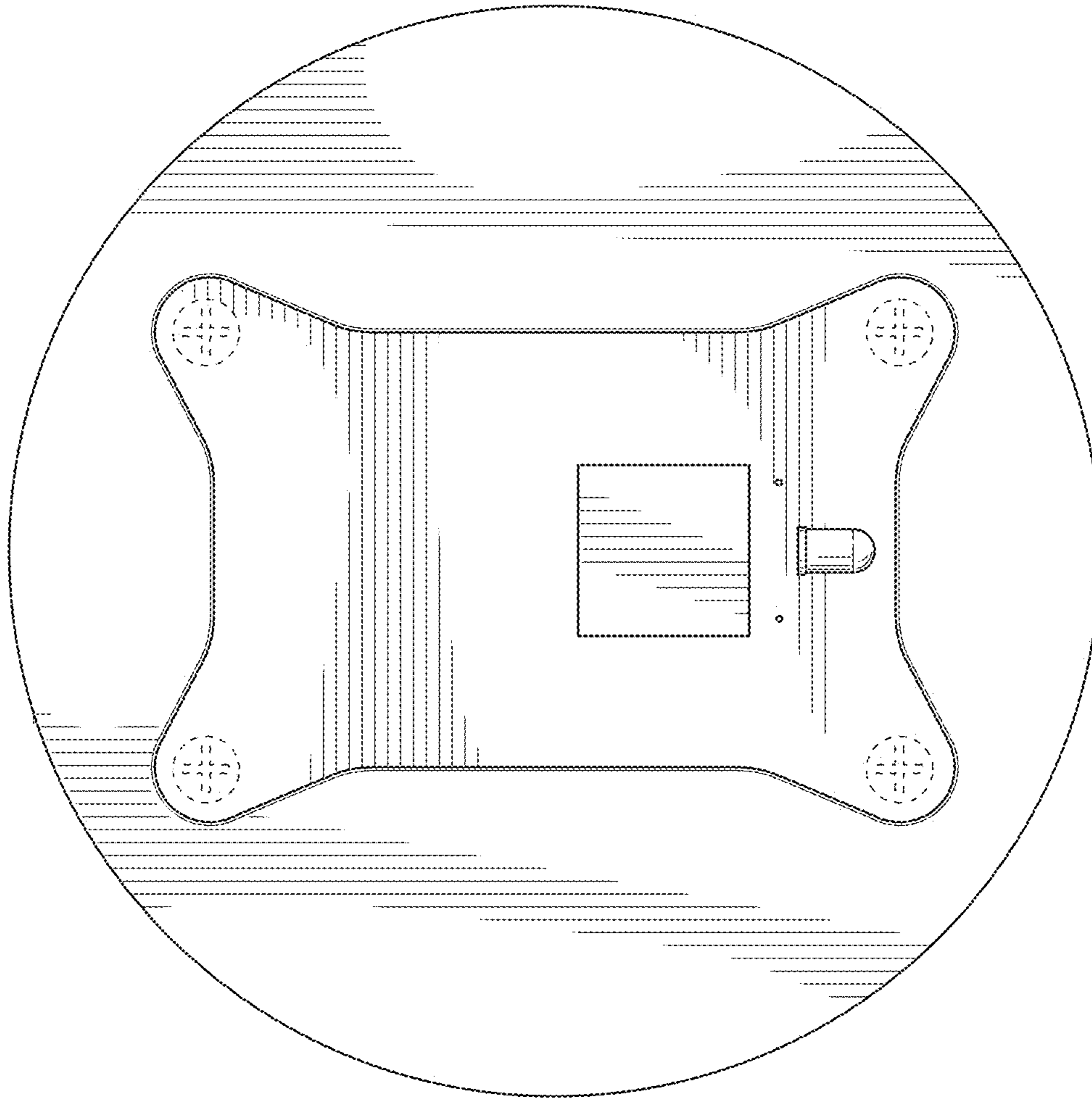


FIG. 3

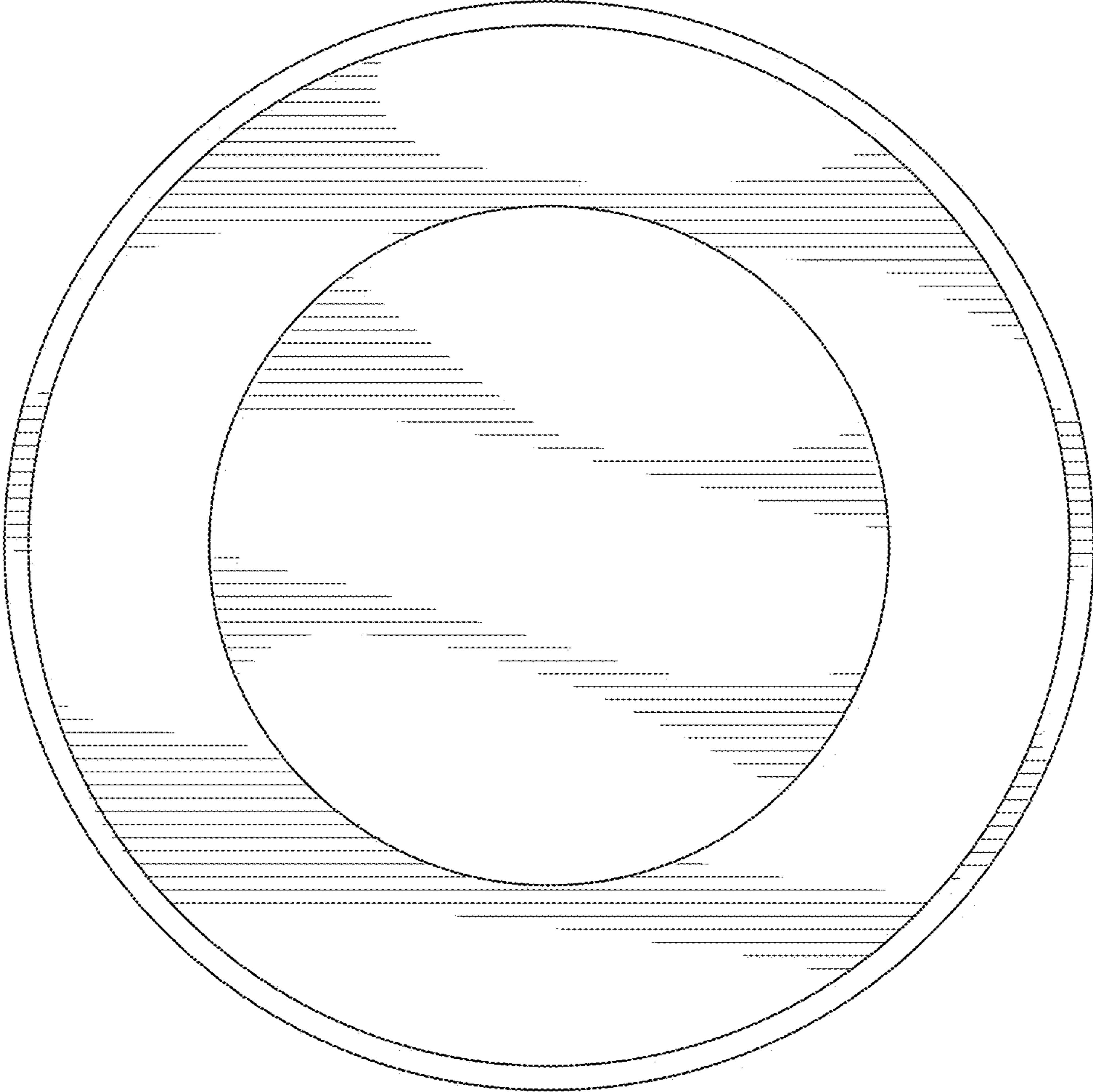


FIG. 4

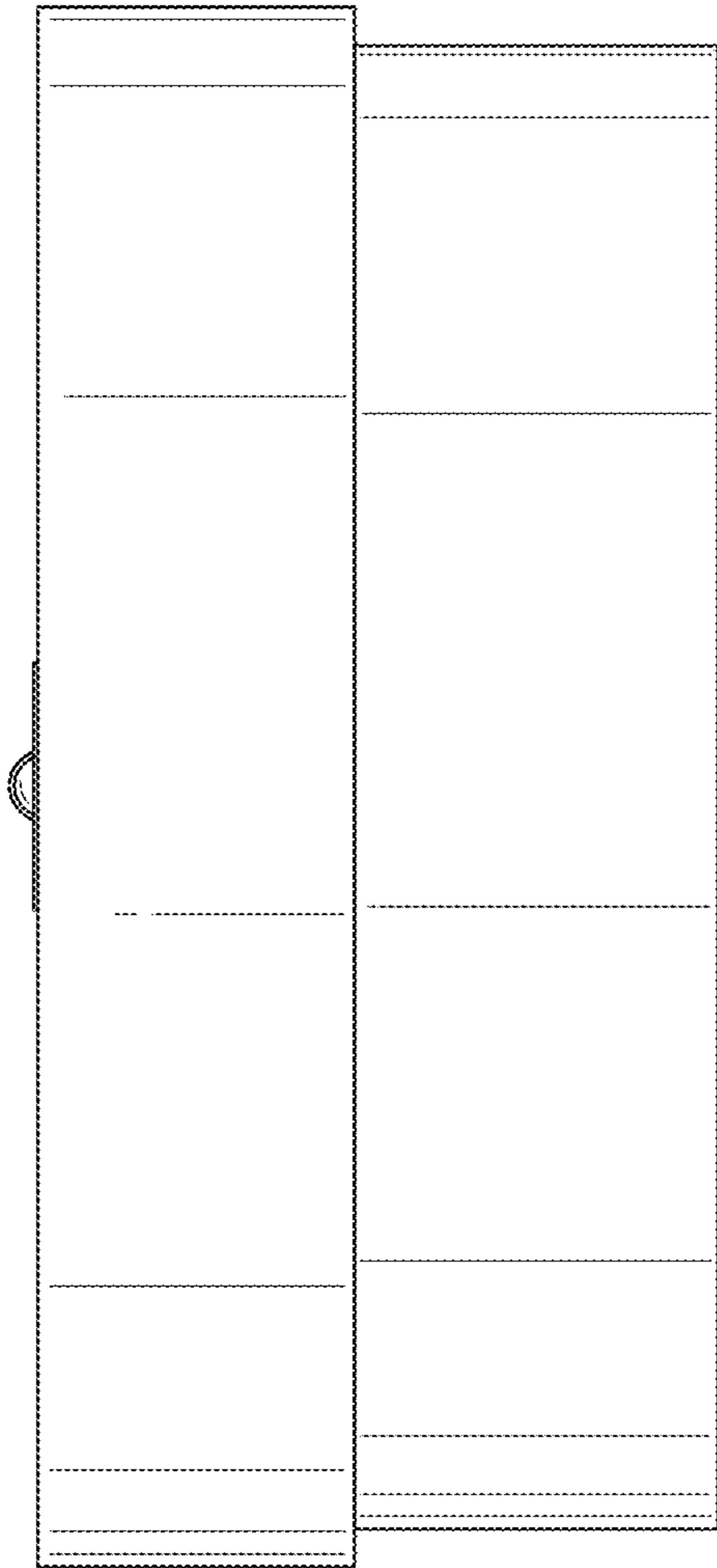


FIG. 5

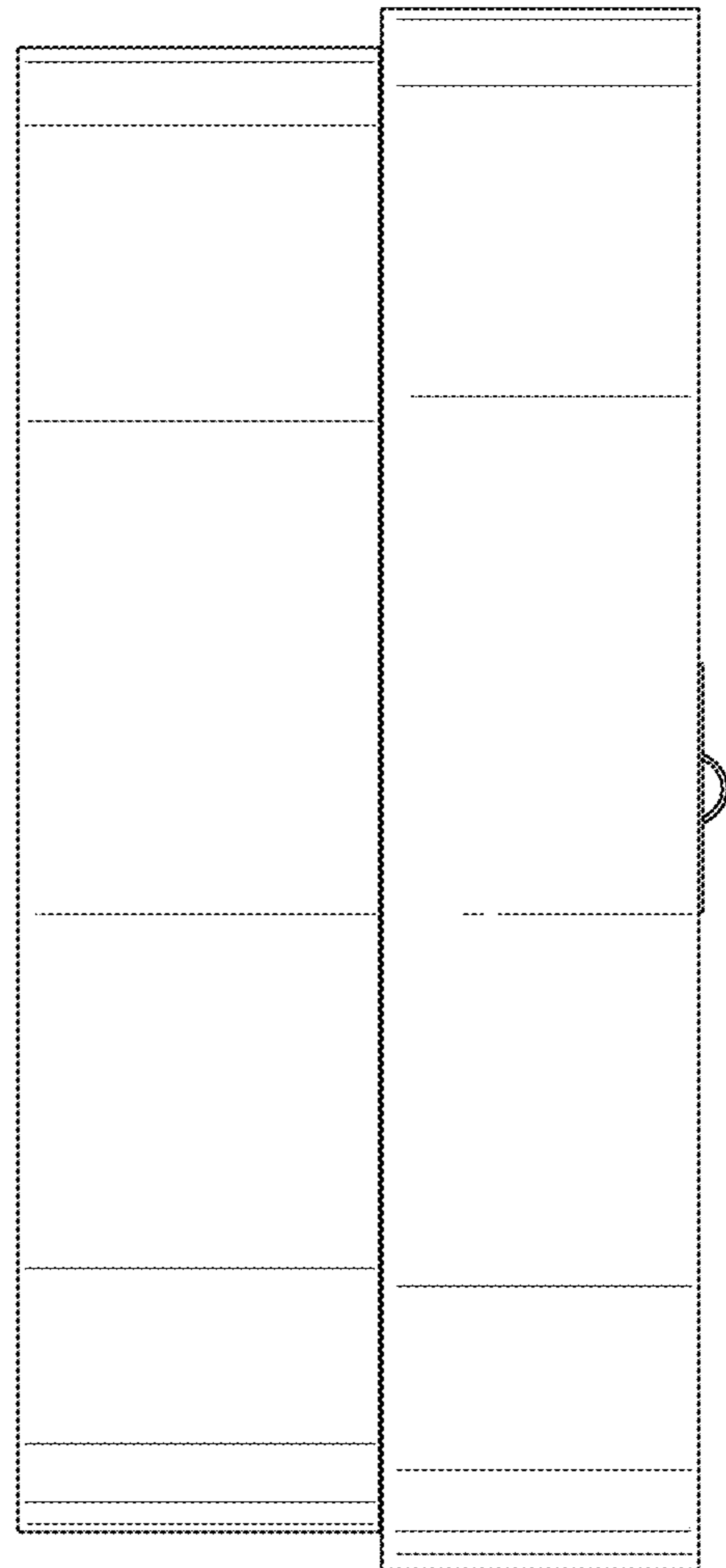


FIG. 6

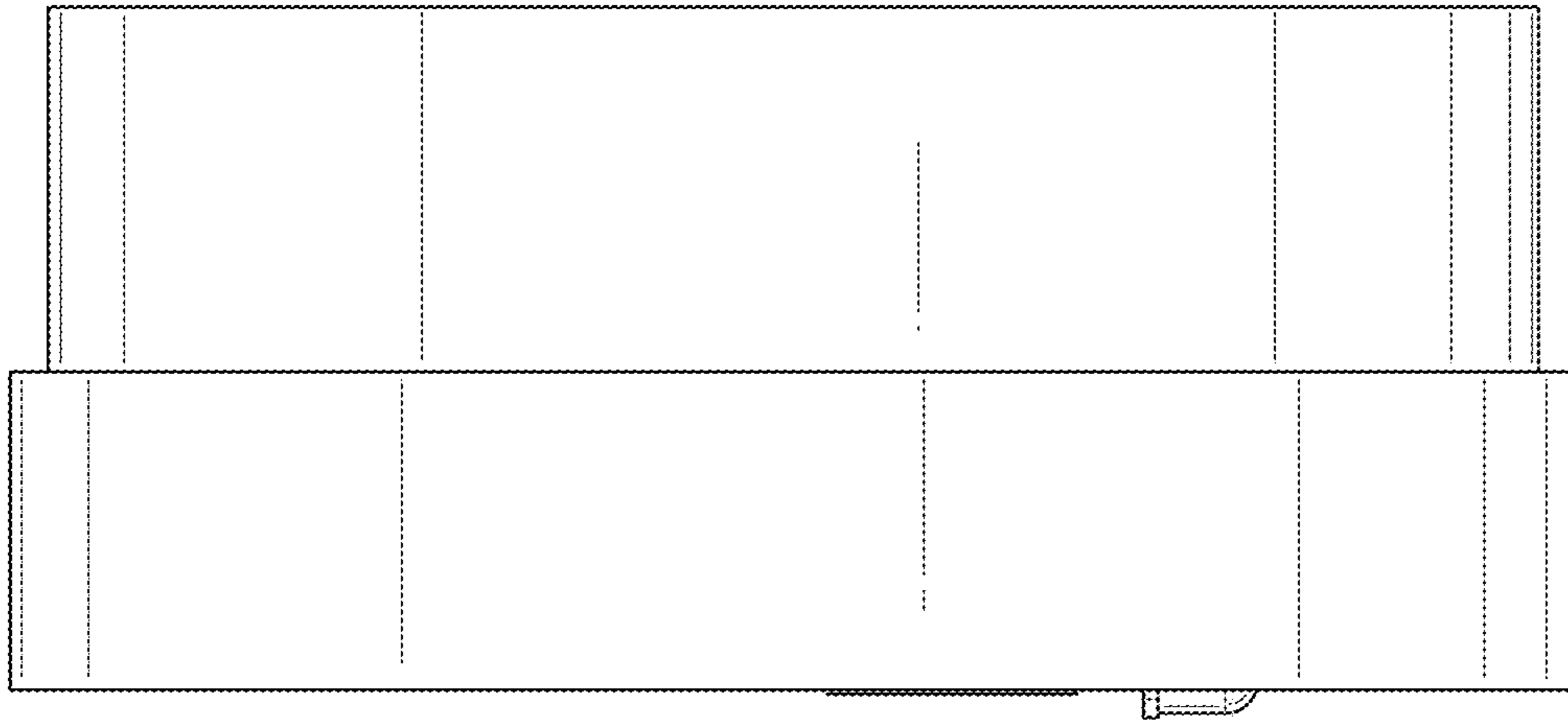


FIG. 7

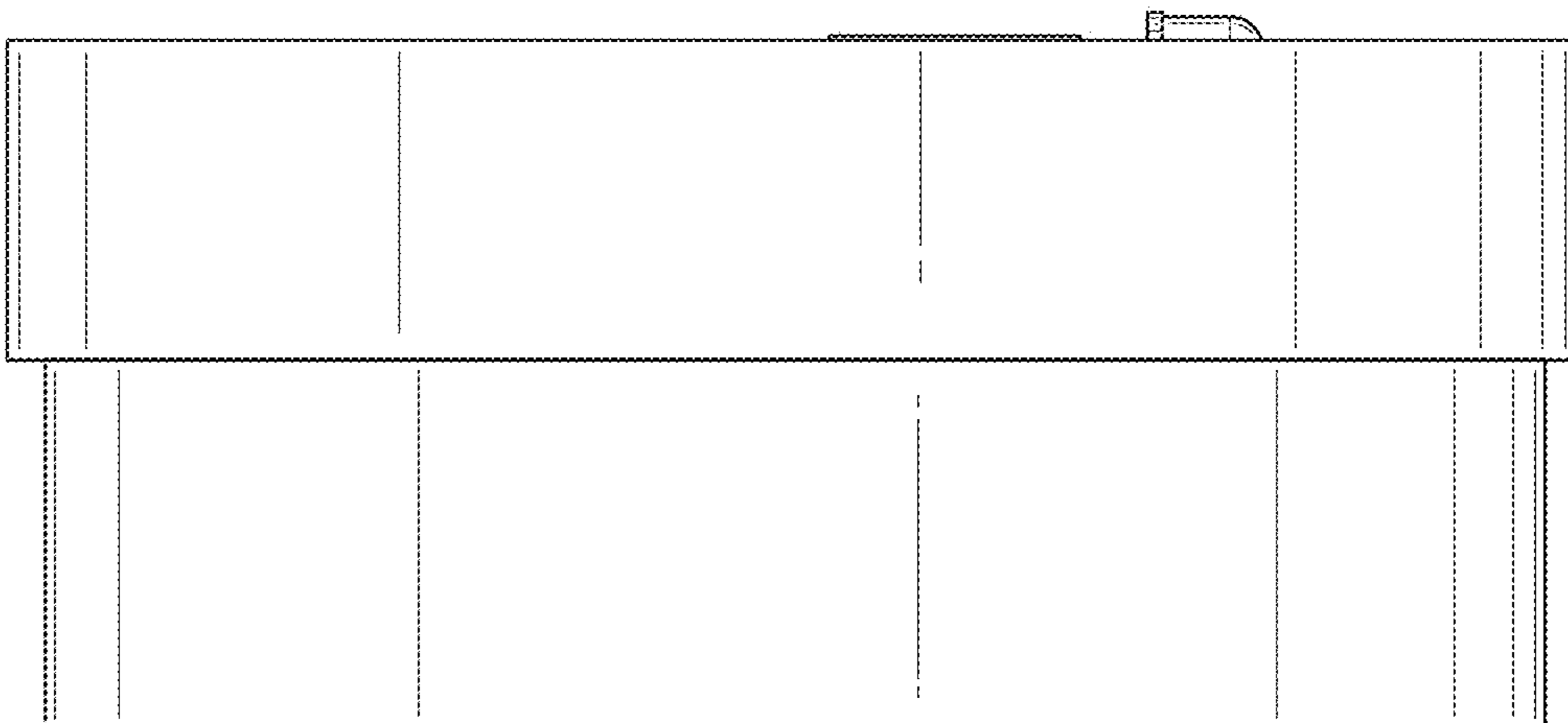


FIG. 8

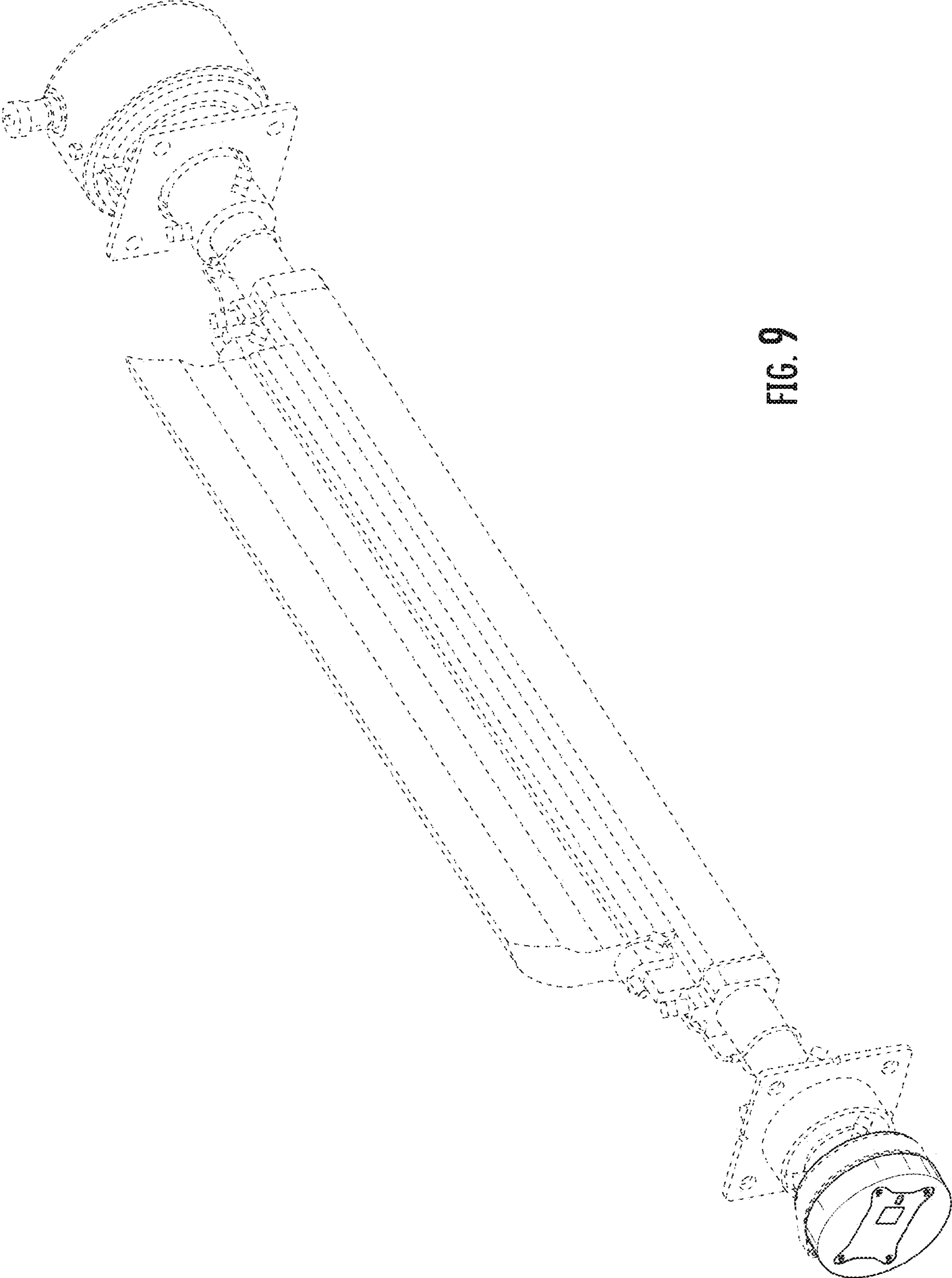


FIG. 9