



US00D949026S

(12) **United States Design Patent**
Zhang

(10) **Patent No.:** **US D949,026 S**

(45) **Date of Patent:** **** Apr. 19, 2022**

(54) **WATCH**

(71) Applicant: **Shenzhen CIGA Design Co., Ltd.**,
Shenzhen (CN)

(72) Inventor: **Jianmin Zhang**, Shenzhen (CN)

(**) Term: **15 Years**

(21) Appl. No.: **29/759,762**

(22) Filed: **Nov. 25, 2020**

(30) **Foreign Application Priority Data**

Aug. 19, 2020 (CN) 202030477364.5

(51) **LOC (13) Cl.** **10-02**

(52) **U.S. Cl.**
USPC **D10/39**

(58) **Field of Classification Search**
USPC D10/30-39, 65, 70, 132, 122-128;
D11/3; D14/341, 344, 440; D24/167,
D24/186

CPC A61B 5/681; G04G 17/00; G04G 17/08;
G04G 17/083; G04G 21/08; A44C 5/00;
A44C 5/0007; A44C 5/0023; A44C
5/0053; A44C 5/147; A44C 5/18; G04B
45/00; G04B 45/0069; G04B 45/0076;
G04B 45/02

See application file for complete search history.

(56) **References Cited**

U.S. PATENT DOCUMENTS

D293,892 S * 1/1988 Ichikawa D10/30
4,926,401 A * 5/1990 Vuilleumier G04B 37/225
368/223
D528,440 S * 9/2006 Lovegrove D10/38
D565,972 S * 4/2008 Rochat D10/39
D598,304 S * 8/2009 Belamich D10/39
D622,166 S * 8/2010 Monachon D10/39
D650,709 S * 12/2011 Dupont D10/39

D658,516 S * 5/2012 Mille D10/39
D694,657 S * 12/2013 Mille D10/39
D714,662 S * 10/2014 Mille D10/39
D738,747 S * 9/2015 Calce D10/32
D742,254 S * 11/2015 Greusel D10/30
D743,814 S * 11/2015 Miodrag D10/39
D752,996 S * 4/2016 Ebersold D10/30
D755,645 S * 5/2016 Belamich D10/125
D757,567 S * 5/2016 Henderson D10/30

(Continued)

OTHER PUBLICATIONS

CIGA Design X Series Titanium Mechanical Watch | indiegogo.com;
campaign launch date Dec. 10, 2020 [online]. © 2021 Indiegogo,
Inc [retrieved Oct. 22, 2021] from Internet: <[https://www.indiegogo.com/projects/ciga-design-x-series-titanium-mechanical-watch#/>](https://www.indiegogo.com/projects/ciga-design-x-series-titanium-mechanical-watch#/) (Year:
2020).*

(Continued)

Primary Examiner — Katherine Glennon

(57) **CLAIM**

The ornamental design for a watch, as shown and described.

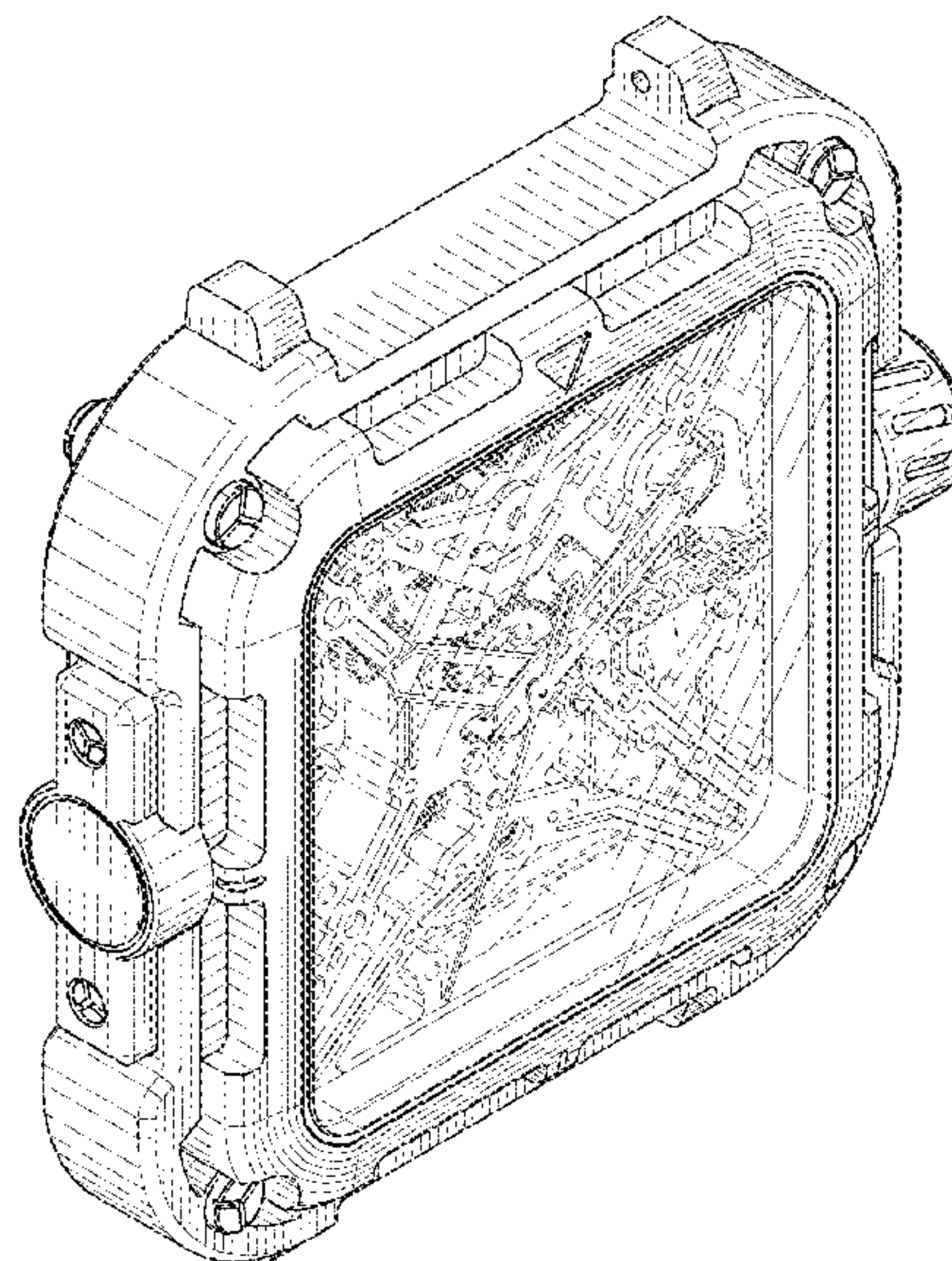
DESCRIPTION

FIG. 1 is a perspective view of a watch, showing the new design;
FIG. 2 is a front view thereof;
FIG. 3 is a rear view thereof;
FIG. 4 is a left-side view thereof;
FIG. 5 is a right-side view thereof;
FIG. 6 is a top view thereof; and,
FIG. 7 is a bottom view thereof.

The words “CIGA Design” forming part of the claimed design is a registered trademark of SHENZHEN CIGA Design Co., Ltd., which is the applicant of the claimed design.

The broken lines show portions of the watch that form no part of the claimed design.

1 Claim, 5 Drawing Sheets



(56)

References Cited

U.S. PATENT DOCUMENTS

D761,669 S * 7/2016 Belamich D10/126
D773,942 S * 12/2016 Kweton D10/38
D798,744 S * 10/2017 Wright A45C 13/008
D10/30
D799,988 S * 10/2017 White D10/30
D823,138 S * 7/2018 Mille D10/39
D834,954 S * 12/2018 Chatila D10/38
D850,295 S * 6/2019 Behling D10/39
D871,932 S * 1/2020 Mille D10/39
10,859,979 B2 * 12/2020 Bonadei G04C 3/14
2008/0013409 A1 * 1/2008 Bland G04C 10/00
368/223
2015/0077912 A1 * 3/2015 Ishibashi G04G 17/08
361/679.03

OTHER PUBLICATIONS

Xiaomi CIGA Design X Series Mechanical Watch | xiaomi-mi.com;
no posting date [online], © Xiaomi Global Community, 2012-2021
[retrieved Oct. 22, 2021] from Internet: <<https://xiaomi-mi.com/watches/xiaomi-ciga-design-x-series-mechanical-watch-blackorange/>> (Year: 2021).*

* cited by examiner

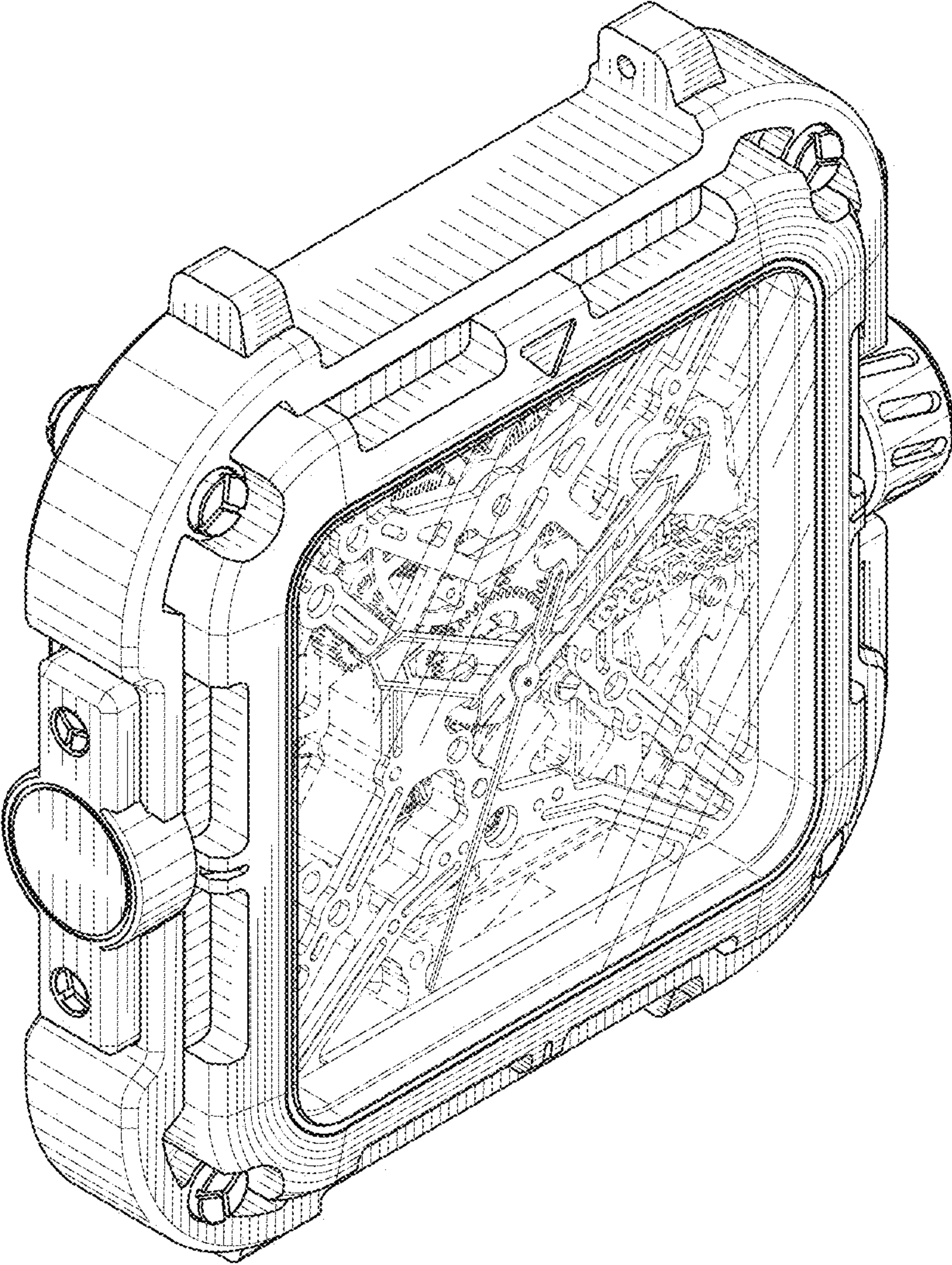


FIG. 1

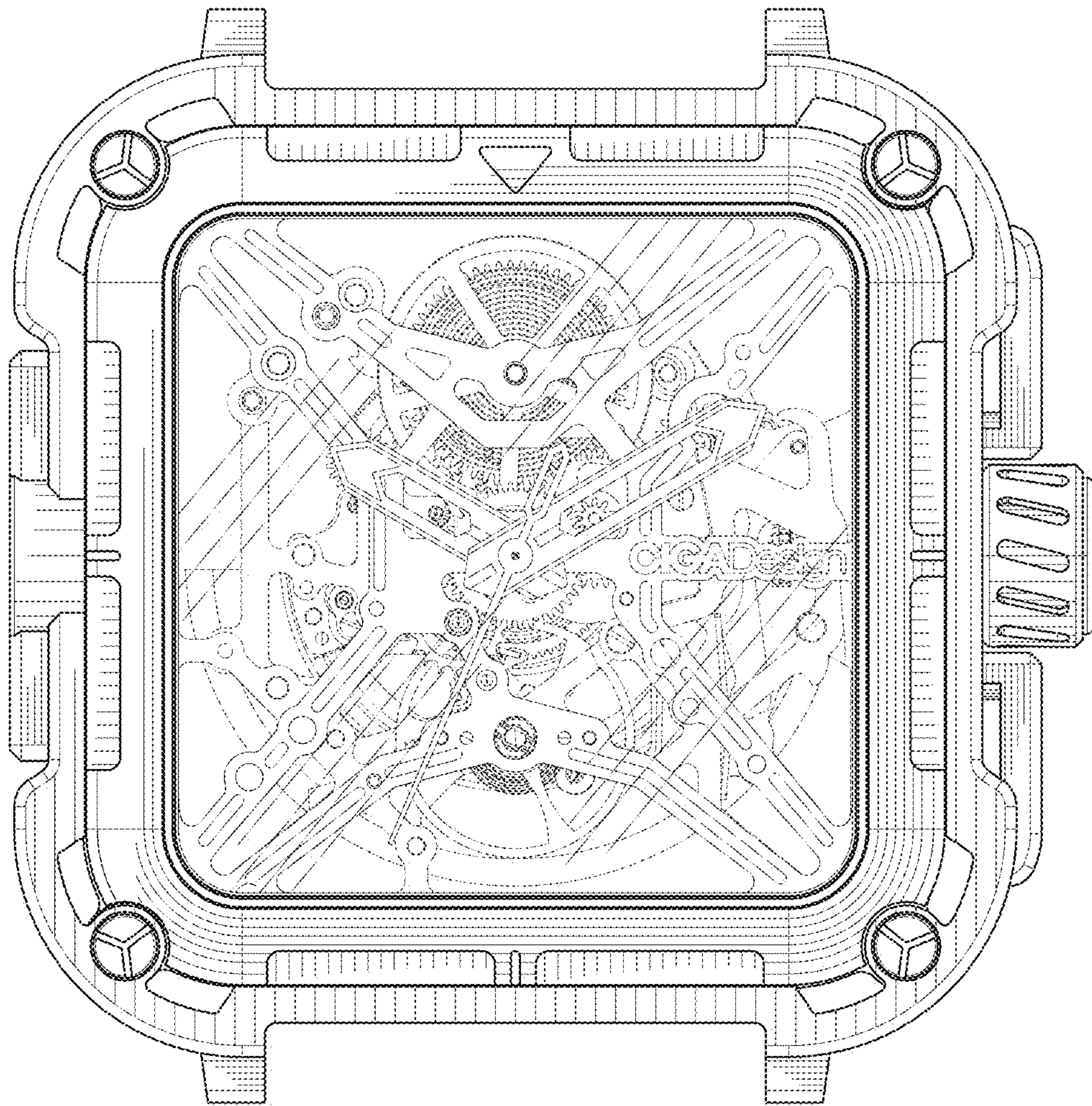


FIG. 2

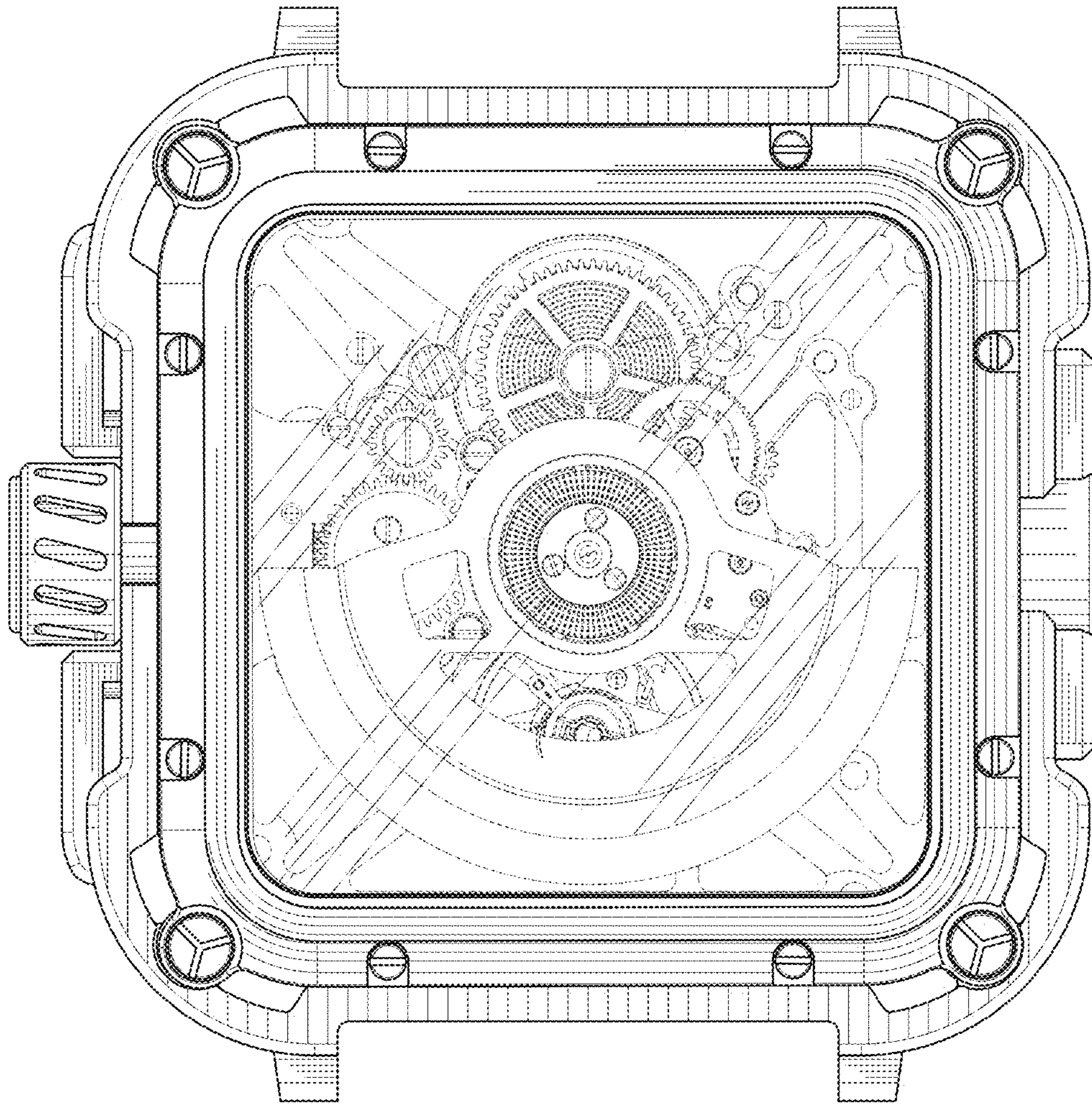


FIG. 3

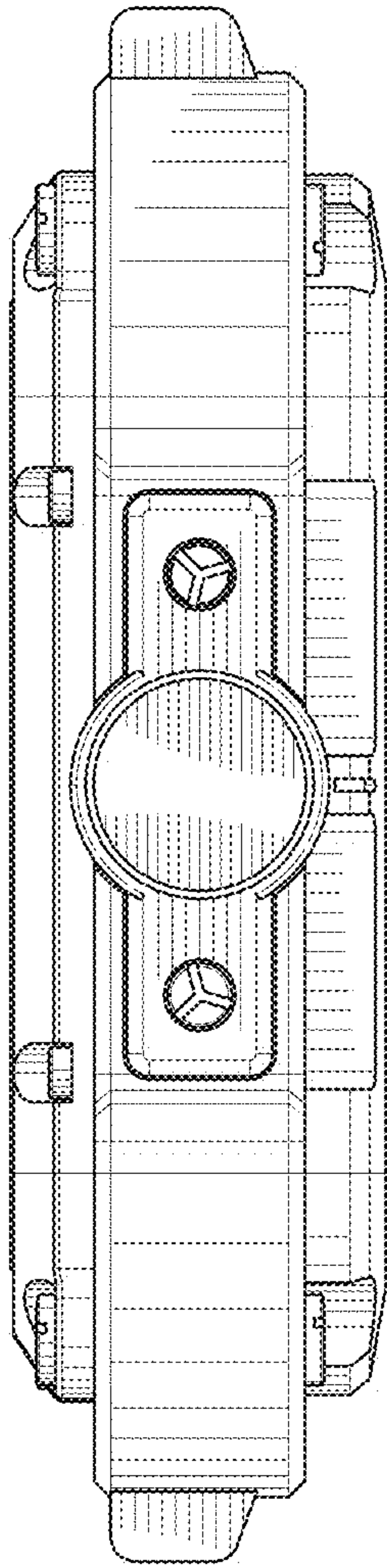


FIG. 4

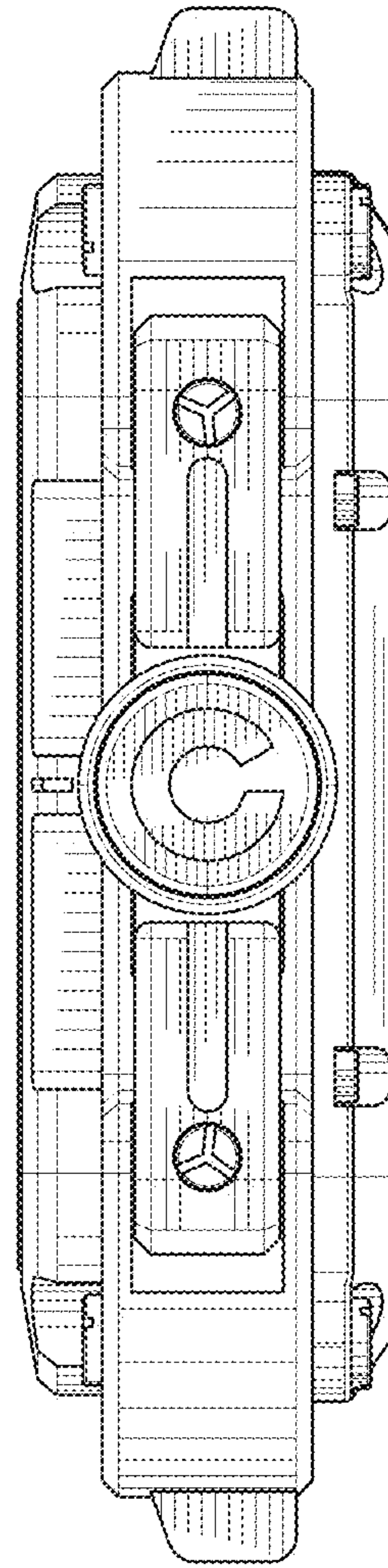


FIG. 5

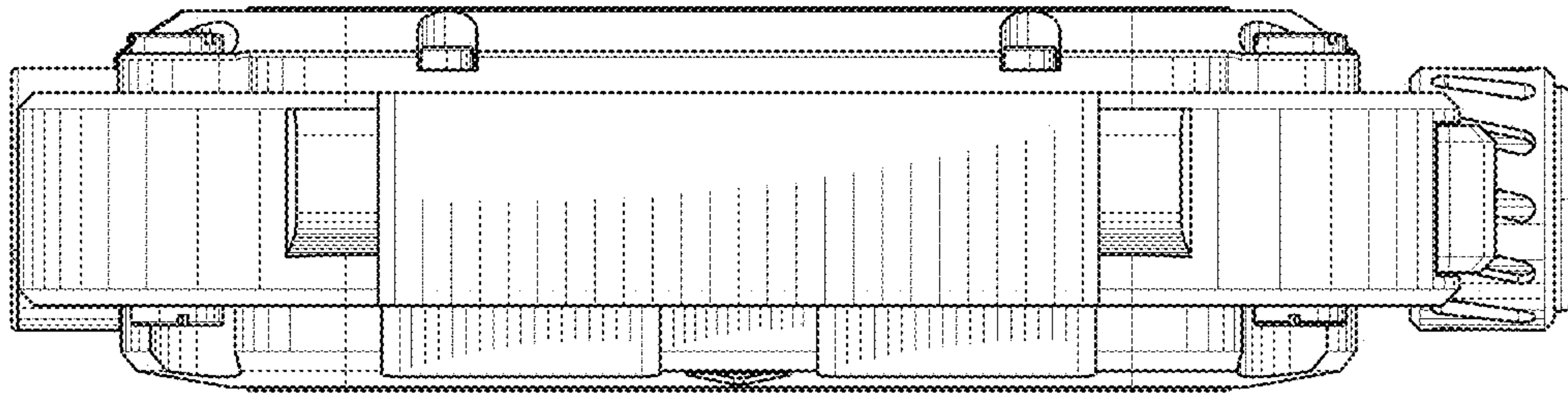


FIG. 6

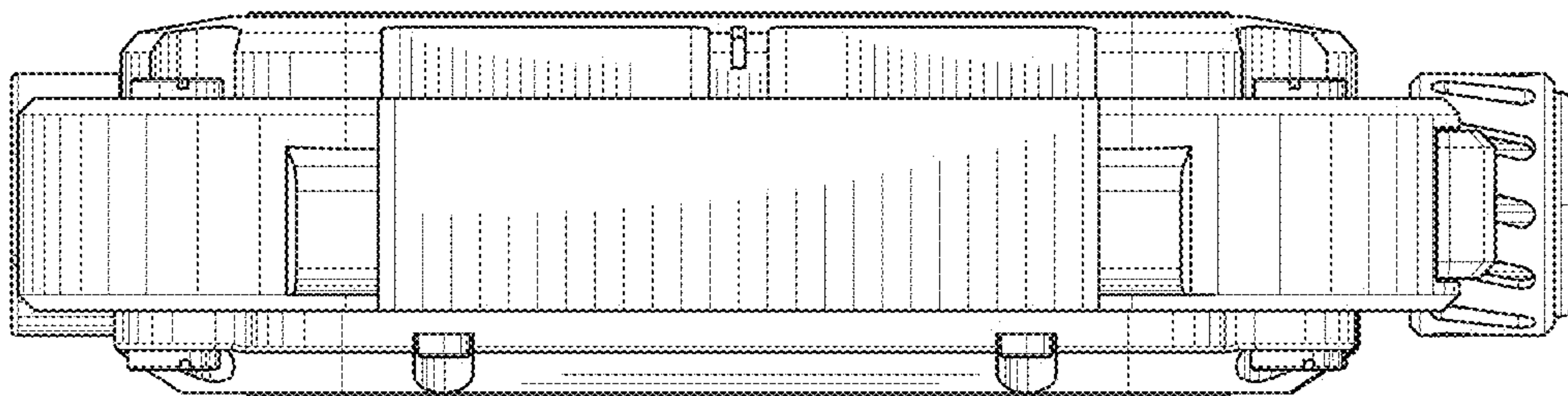


FIG. 7