



US00D949019S

(12) **United States Design Patent** (10) **Patent No.:** **US D949,019 S**
Luu (45) **Date of Patent:** **** Apr. 19, 2022**

- (54) **BOTTLE**
- (71) Applicant: **LeChat**, Hercules, CA (US)
- (72) Inventor: **Newton Luu**, Hercules, CA (US)
- (73) Assignee: **LeChat**, Hercules, CA (US)
- (**) Term: **15 Years**
- (21) Appl. No.: **29/715,639**
- (22) Filed: **Dec. 3, 2019**

Related U.S. Application Data

- (62) Division of application No. 29/693,110, filed on May 30, 2019, now Pat. No. Des. 868,582, which is a division of application No. 29/644,917, filed on Apr. 20, 2018, now Pat. No. Des. 850,264.
- (51) **LOC (13) Cl.** **09-01**
- (52) **U.S. Cl.**
USPC **D9/503; D9/452; D9/545**
- (58) **Field of Classification Search**
USPC D9/434–435, 447, 452, 454, 500,
D9/503–504, 516, 549, 558, 715, 719,
D9/436, 502, 723; D4/116, 114
CPC B65D 1/00; B65D 1/02; B65D 1/0223;
B65D 23/00; B65D 51/32; B65D
2501/00; B65D 2501/0009; A45D 34/042;
A45D 34/045; A45D 34/053
See application file for complete search history.

(56) **References Cited**

U.S. PATENT DOCUMENTS

- D90,558 S 8/1933 Tricard
- D93,074 S 8/1934 Westlake
- D104,835 S * 6/1937 Dunnock D9/500
- D105,396 S 7/1937 McIntosh
- D111,313 S 9/1938 Titze

- D116,813 S 9/1939 Bost
- D117,843 S 11/1939 Smith
- D126,234 S 5/1940 Barbiers
- D166,116 S 3/1952 Menefee, Jr.
- 2,832,981 A 5/1958 Ernst
- D201,999 S 8/1965 Rau
- 3,337,901 A 8/1967 Schefer et al.
- D208,885 S 10/1967 Roehrich
- D216,250 S 12/1969 Kneapler
- D237,360 S 10/1975 Olivera
- D252,445 S 7/1979 Rhodes
- D253,454 S 11/1979 Earle
- 4,189,245 A 2/1980 Bennett
- D259,252 S 5/1981 Acker
- 4,280,638 A 7/1981 Keihm
- D270,331 S 8/1983 Benson
- D271,565 S 11/1983 Slater
- D309,711 S * 8/1990 Biesecker D9/500
- D316,034 S 4/1991 DeGaetano
- D329,592 S 9/1992 Crawford
- D330,859 S 11/1992 Schaeffer
- D344,804 S 3/1994 Muniz
- D346,334 S 4/1994 Ahlsvik
- D379,764 S 6/1997 Litton
- D383,980 S 9/1997 Abfier et al.
- D415,319 S * 10/1999 Bakic D28/76

(Continued)

Primary Examiner — Dana Meyrow

(74) *Attorney, Agent, or Firm* — Aka Chan LLP

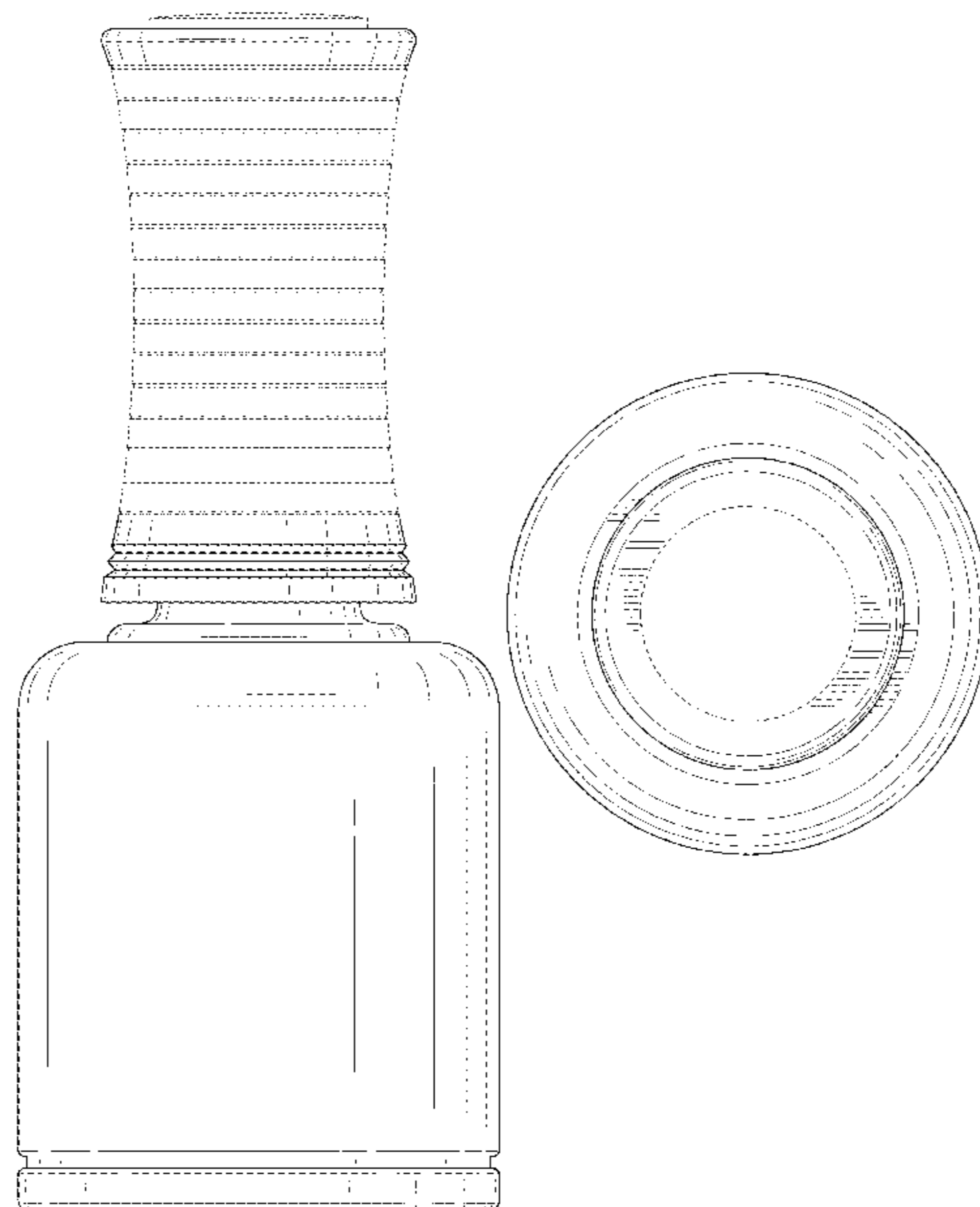
(57) **CLAIM**

The ornamental design for a bottle, as shown and described.

DESCRIPTION

FIG. 1 shows a perspective view of a design for a bottle. FIG. 2 shows a side view of the design. FIG. 3 shows a top view of the design; and, FIG. 4 shows a bottom view of the design. The broken lines in the drawings illustrate the portions of the bottle that form no part of the claimed design.

1 Claim, 3 Drawing Sheets



(56)

References Cited

U.S. PATENT DOCUMENTS

D449,228 S 10/2001 Nosella
 D469,356 S 1/2003 Vo
 D471,108 S 3/2003 Calderon, Jr.
 D494,476 S 8/2004 Cwynar-Laska
 6,966,716 B2 11/2005 Pink
 7,311,457 B2 12/2007 Pink
 D561,027 S 2/2008 Nguyen
 D577,599 S 9/2008 Moretti
 D604,167 S 11/2009 Tran
 D633,798 S * 3/2011 Cresswell D9/500
 D633,799 S * 3/2011 Cresswell D9/500
 D637,915 S 5/2011 Huang
 D695,121 S 12/2013 Seo
 D701,124 S 3/2014 O'Hara
 D721,966 S 2/2015 Mathiez
 D756,234 S 5/2016 Orset
 D757,551 S 5/2016 Pires et al.
 D757,553 S 5/2016 Pires et al.
 D758,737 S 6/2016 Tan et al.
 D758,865 S 6/2016 Pires et al.
 D767,405 S 9/2016 Orset
 D769,124 S 10/2016 Wieland
 D770,284 S 11/2016 Luu et al.

D770,285 S 11/2016 Luu et al.
 D770,295 S 11/2016 Luu et al.
 D770,901 S 11/2016 Luu et al.
 D772,579 S 11/2016 Baranes
 D790,624 S * 6/2017 Matsushita D18/56
 D802,420 S 11/2017 Luu
 D802,426 S 11/2017 Luu et al.
 D803,055 S 11/2017 Luu et al.
 D805,910 S 12/2017 Luu et al.
 D813,551 S 3/2018 Tan et al.
 D816,506 S 5/2018 Jones et al.
 D817,763 S 5/2018 Isaksen
 D820,683 S 6/2018 Perrulli
 D821,200 S 6/2018 Harris
 D833,874 S 11/2018 Harrison
 D836,444 S 12/2018 Tan et al.
 D845,773 S * 4/2019 Huang D9/503
 D847,654 S 5/2019 Luu
 D848,262 S * 5/2019 Luu D9/454
 D850,264 S 6/2019 Luu
 D852,048 S * 6/2019 Flint D9/558
 D867,883 S * 11/2019 Luu D9/452
 D867,885 S * 11/2019 Luu D9/454
 D868,582 S * 12/2019 Luu D9/503
 2002/0039513 A1 4/2002 Pink
 2006/0213863 A1 9/2006 Tran et al.

* cited by examiner

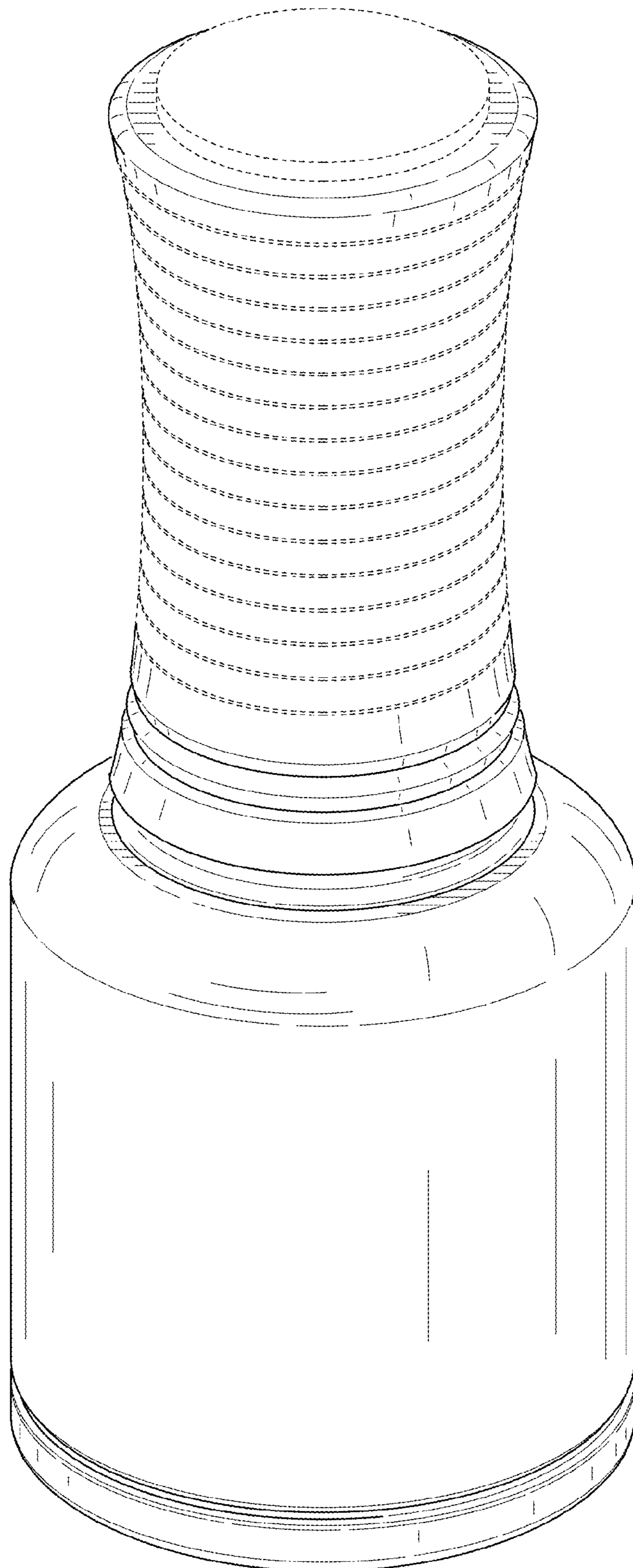


FIG. 1

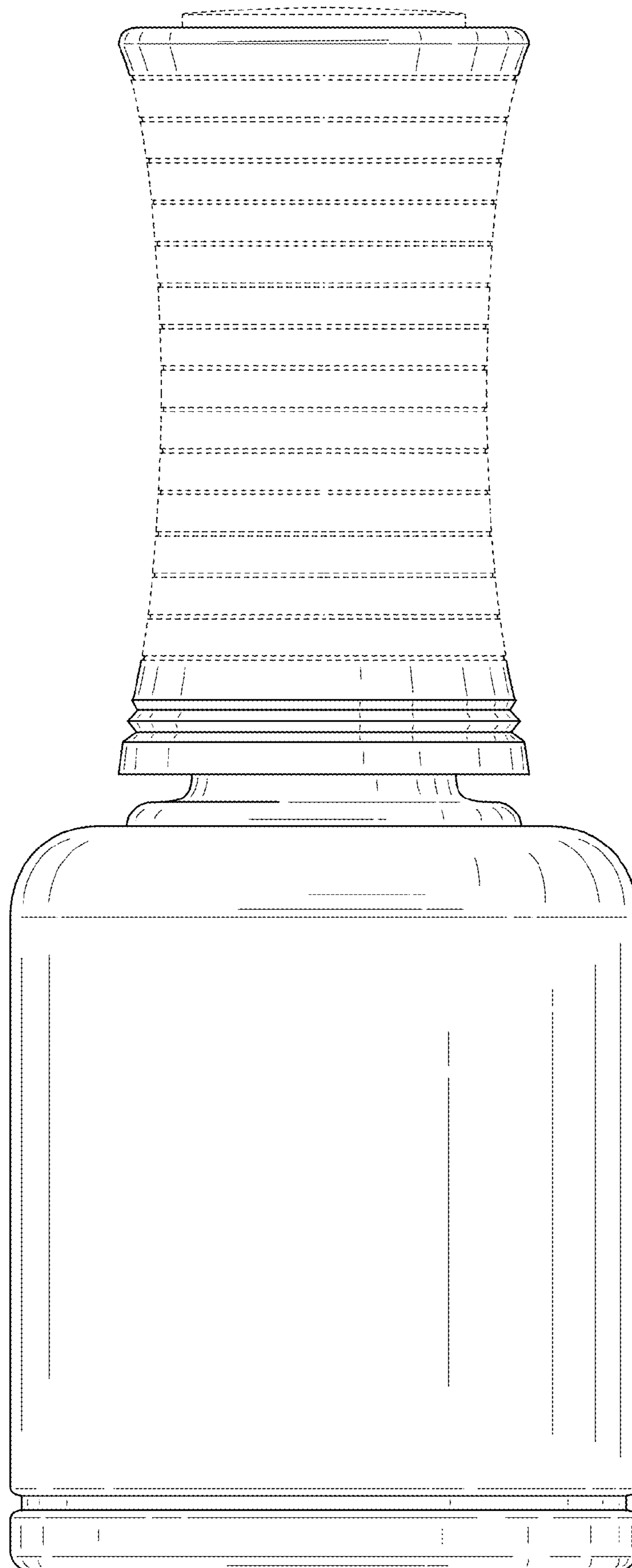


FIG. 2

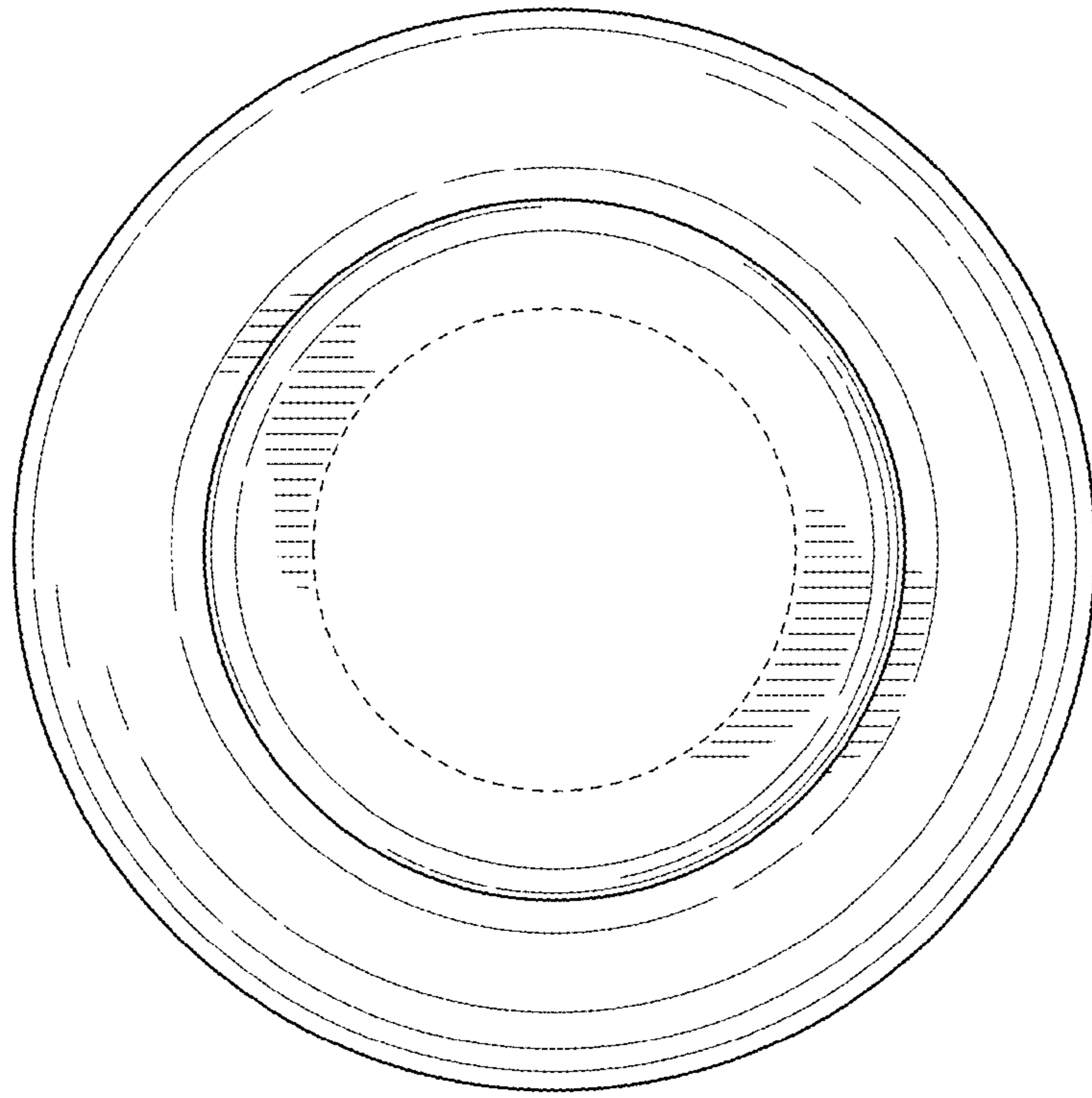


FIG. 3

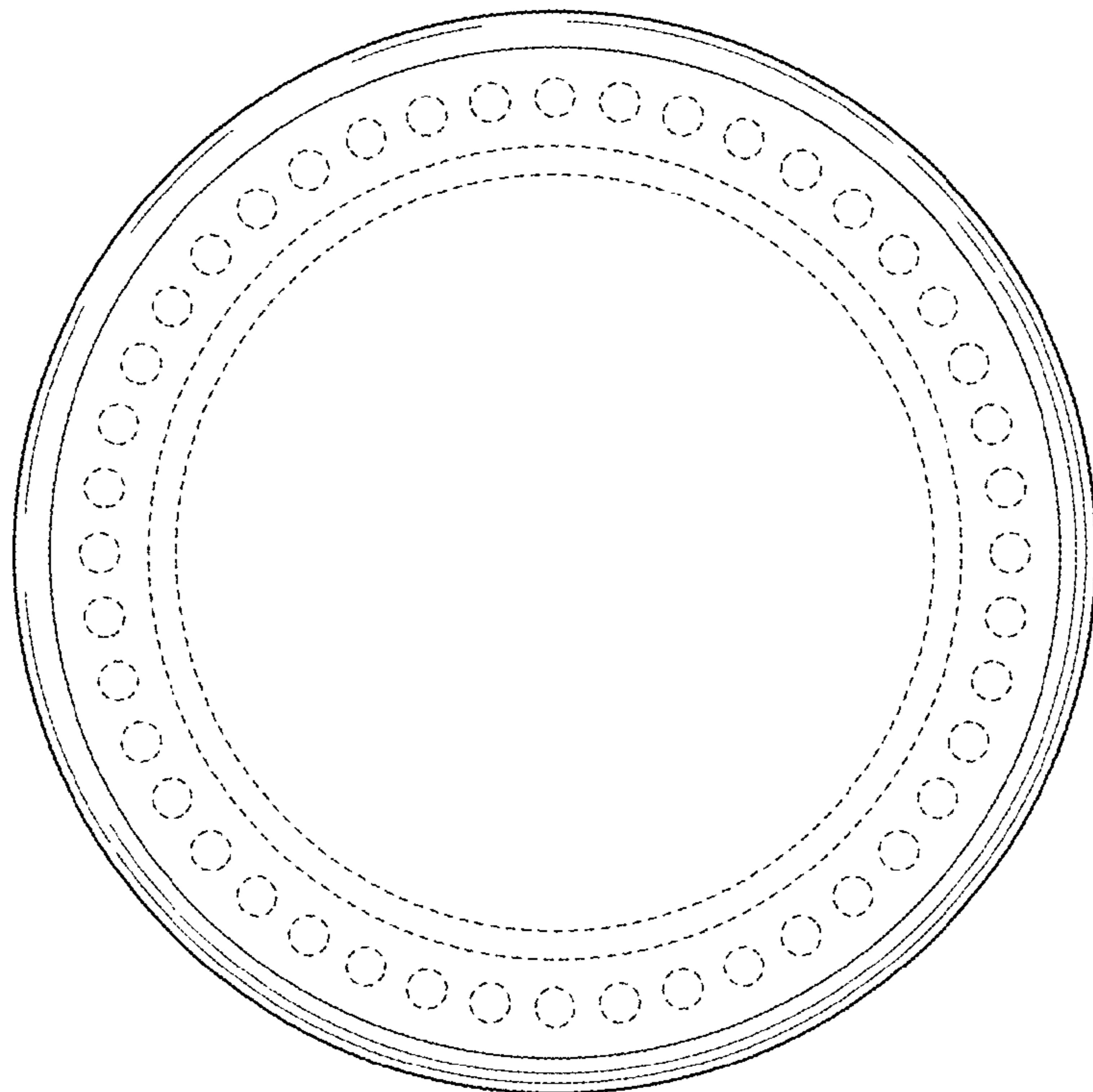


FIG. 4