



US00D949018S

(12) **United States Design Patent**
Gysel et al.

(10) **Patent No.:** **US D949,018 S**

(45) **Date of Patent:** **** Apr. 19, 2022**

- (54) **PHARMACEUTICAL PACKAGE**
- (71) Applicant: **Janssen Biotech, Inc.**, Horsham, PA (US)
- (72) Inventors: **Cedric Gysel**, Zurich/Canton Zurich (CH); **Michael Cannamela**, Atlantic Highlands, NJ (US); **Roland Schultz**, Stein (CH); **Peter Braun**, Hallau (CH)
- (73) Assignee: **Janssen Biotech, Inc.**, Horsham, PA (US)
- (**) Term: **15 Years**
- (21) Appl. No.: **29/751,225**
- (22) Filed: **Sep. 18, 2020**
- (51) **LOC (13) Cl.** **09-07**
- (52) **U.S. Cl.**
USPC **D9/456**; D9/425
- (58) **Field of Classification Search**
USPC D9/415, 418, 424, 425, 456, 732, 737; D24/229
CPC B65D 75/327; B65D 75/36; B65D 75/366; B65D 75/367; B65D 75/32; B65D 2575/3245; B65D 75/326; B65D 2575/366; B65D 2585/88; B65D 75/322; B65D 77/2032; B65D 5/4204; B65D 75/22; B65D 77/0413; B65D 5/4208; B65D 77/02; B65D 25/22; B65D 75/5833; B65D 85/00; B65D 2543/00194; B65D 2301/20; B65D 2575/3218; B65D 73/0007; B65D 73/0042
See application file for complete search history.

D698,644	S	*	2/2014	Teopas	D9/425
D740,650	S	*	10/2015	Waldron	D9/414
D817,172	S	*	5/2018	Jones	D9/456
D895,145	S	*	9/2020	Smith	D24/229
D906,815	S	*	1/2021	Yu	D9/456
D918,032	S	*	5/2021	Smith	D9/425
D934,069	S	*	10/2021	Cook	D9/424
2018/0085515	A1	*	3/2018	Mide	B65D 75/326
2019/0092547	A1	*	3/2019	Sadowski	B65D 77/26

FOREIGN PATENT DOCUMENTS

JP	1386753	S	5/2010
TW	D103295		3/2005
TW	D103296		3/2005

* cited by examiner

Primary Examiner — Lauren R Calve

(74) *Attorney, Agent, or Firm* — BakerHostetler

(57) **CLAIM**

The ornamental design for a pharmaceutical package, as shown and described.

DESCRIPTION

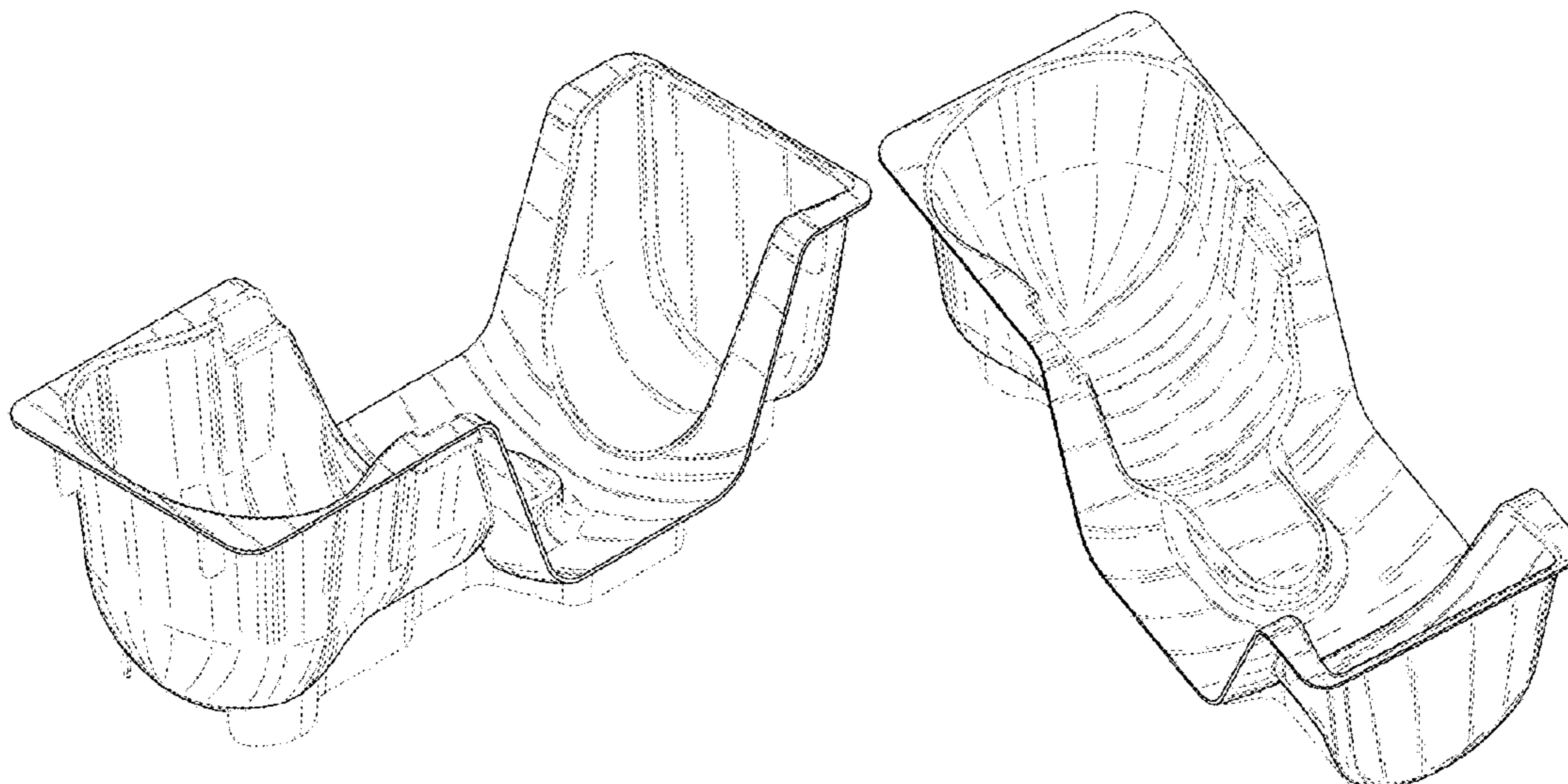
FIG. 1 is a top, left, front perspective view of a pharmaceutical package according to our design;
 FIG. 2 is a top, left, rear perspective view thereof;
 FIG. 3 is another top, left, rear perspective view thereof;
 FIG. 4 is a top, right, front perspective view thereof;
 FIG. 5 is a bottom, right, front perspective view thereof;
 FIG. 6 is a bottom, left, rear perspective view thereof;
 FIG. 7 is a top plan view thereof;
 FIG. 8 is a bottom plan view thereof;
 FIG. 9 is a right side elevation view thereof;
 FIG. 10 is a left side elevation view thereof;
 FIG. 11 is a front elevation view thereof; and,
 FIG. 12 is a rear elevation view thereof.

The broken line portion in the drawings illustrates portions of the pharmaceutical package that form no part of the claimed design.

1 Claim, 9 Drawing Sheets

(56) **References Cited**
U.S. PATENT DOCUMENTS

D249,617	S	*	9/1978	Bozicnik	100/34
7,441,655	B1	*	10/2008	Hoftman	A61B 50/20 206/370



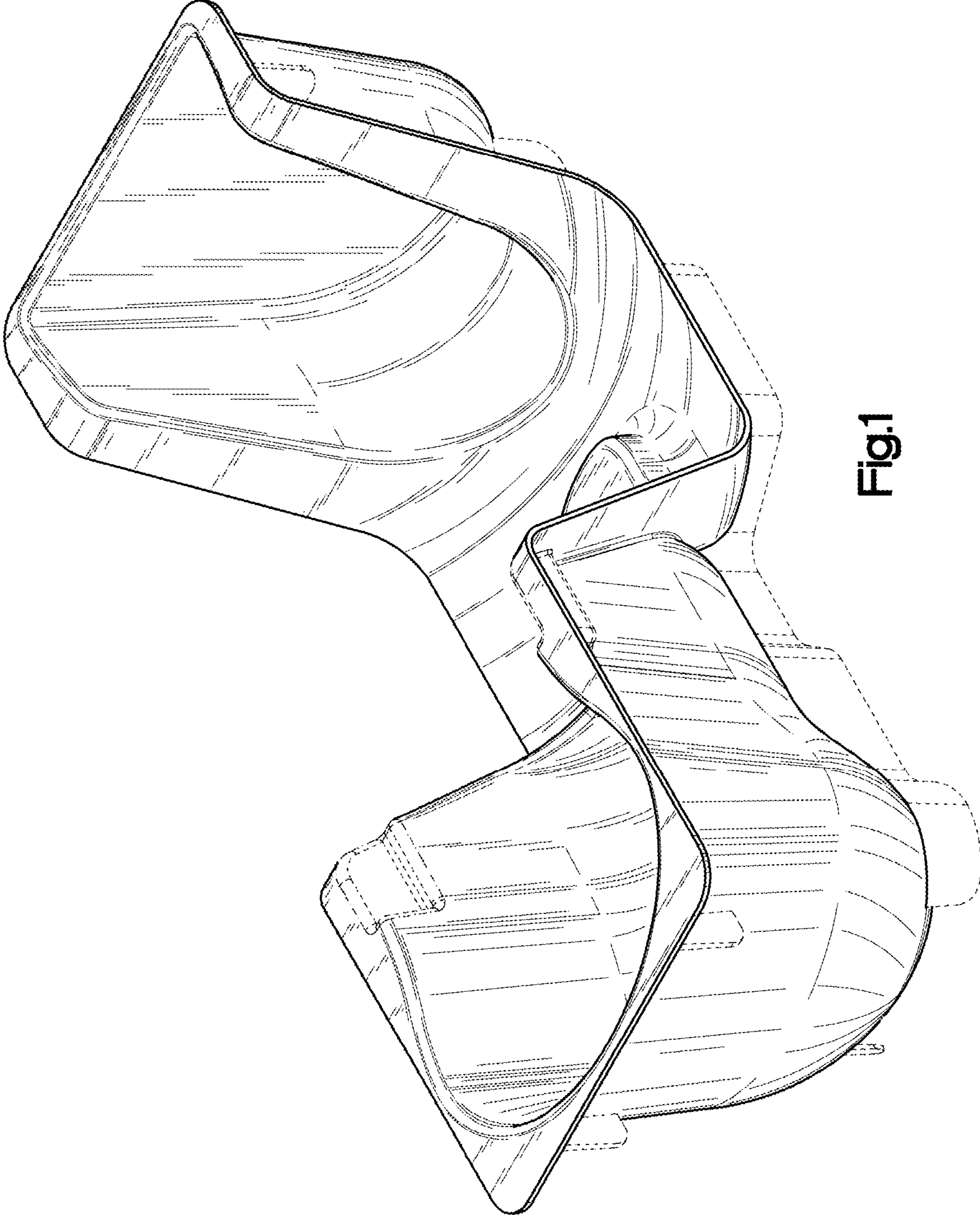


Fig.1

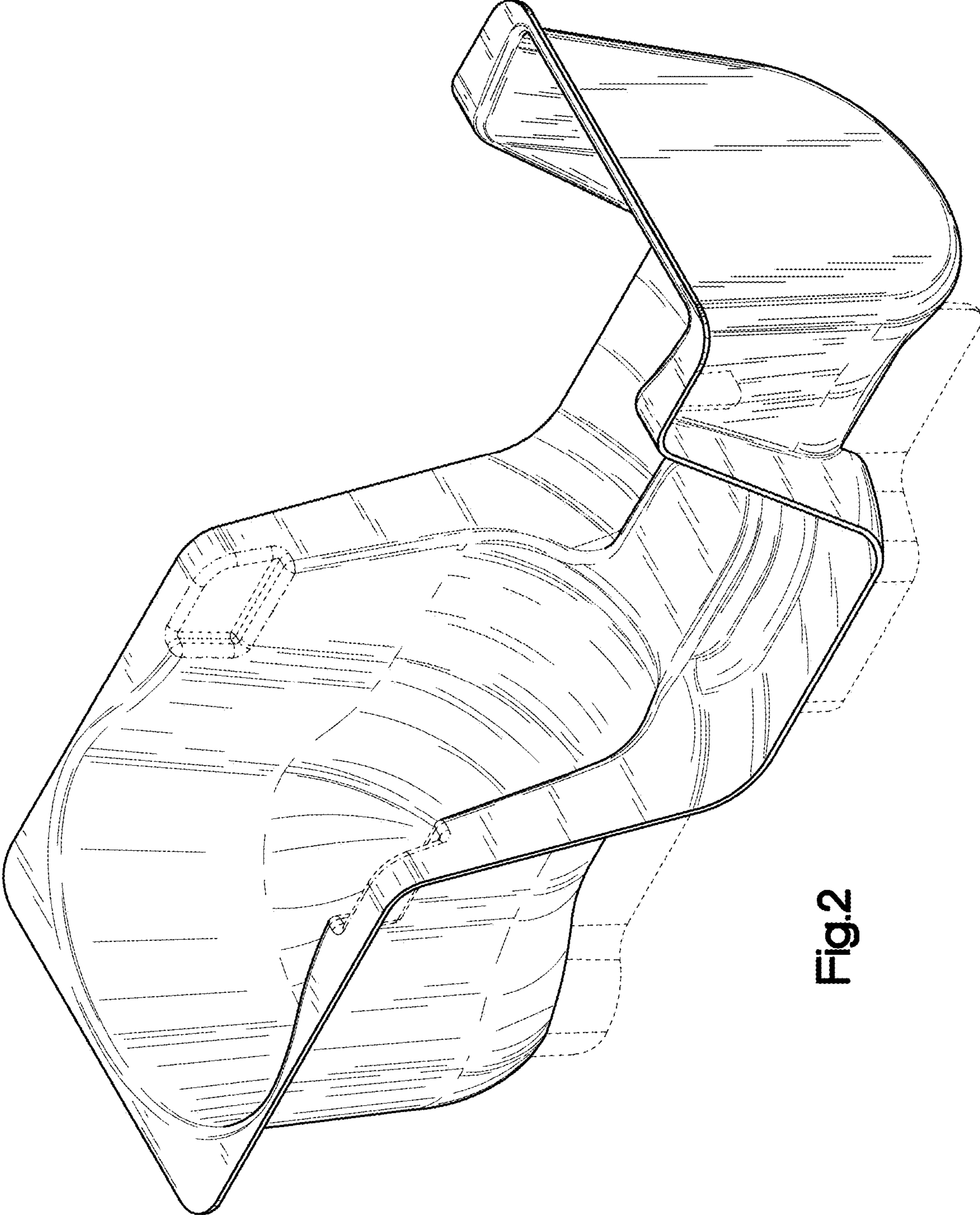


Fig.2

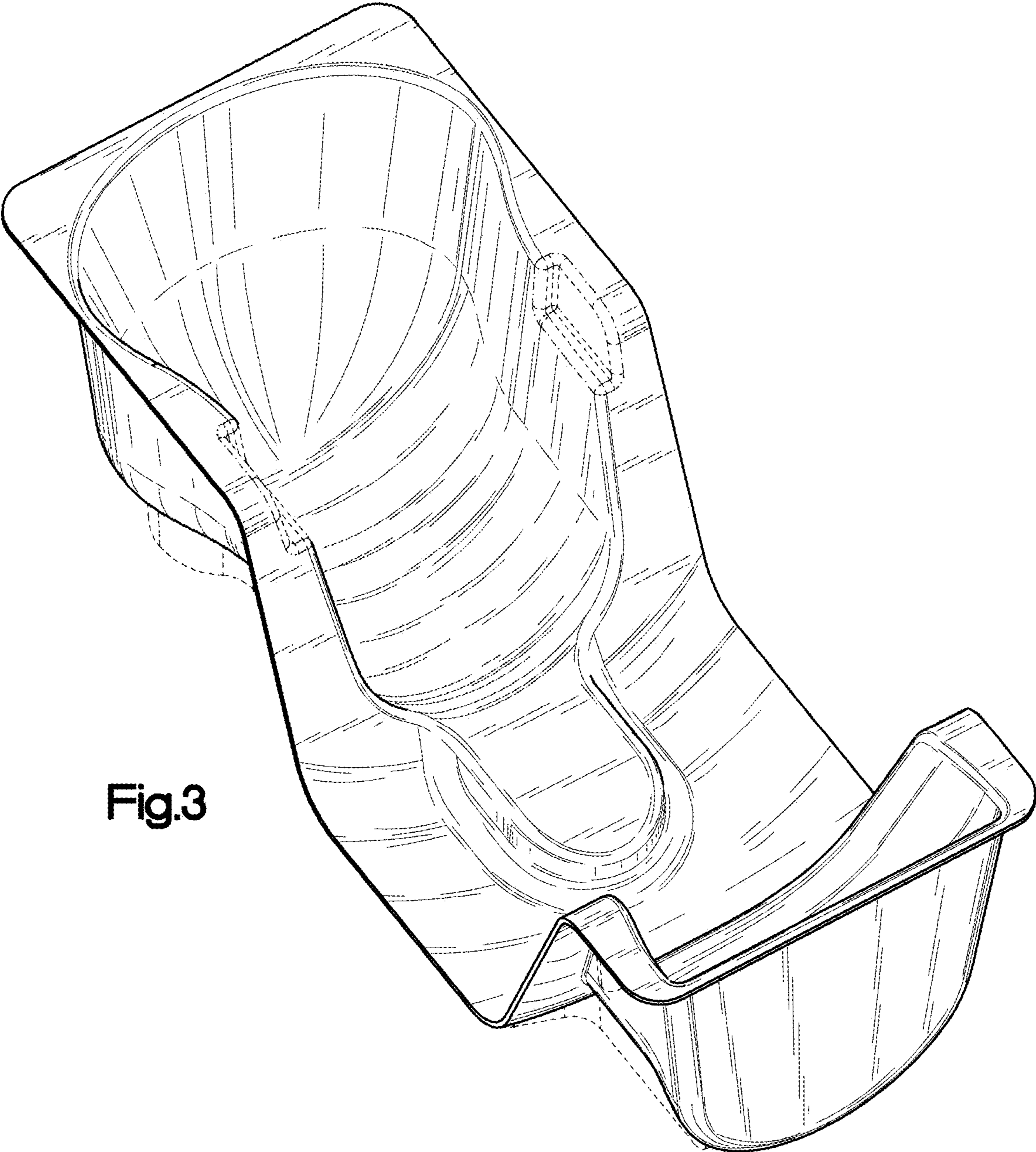


Fig.3

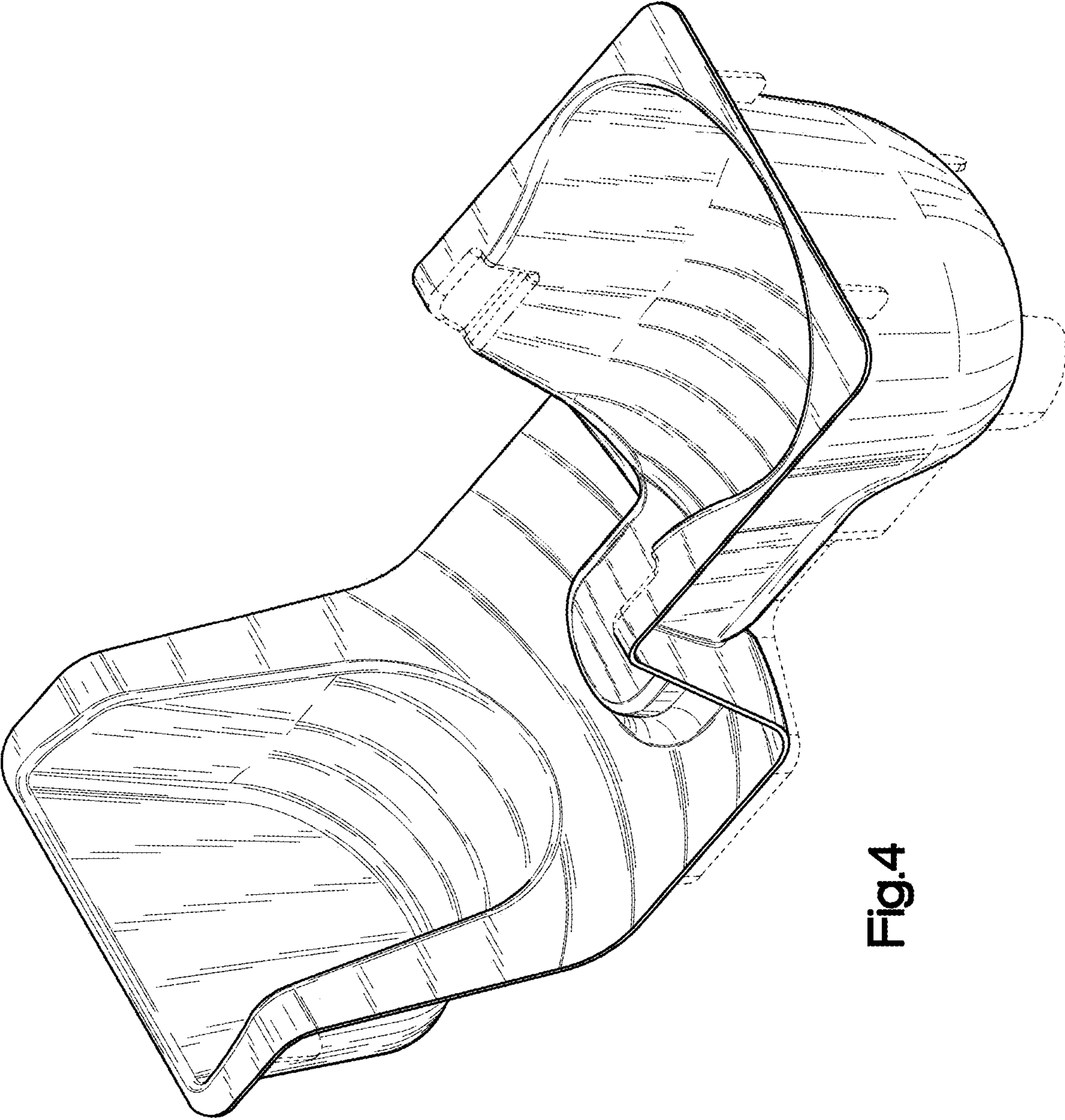


Fig.4

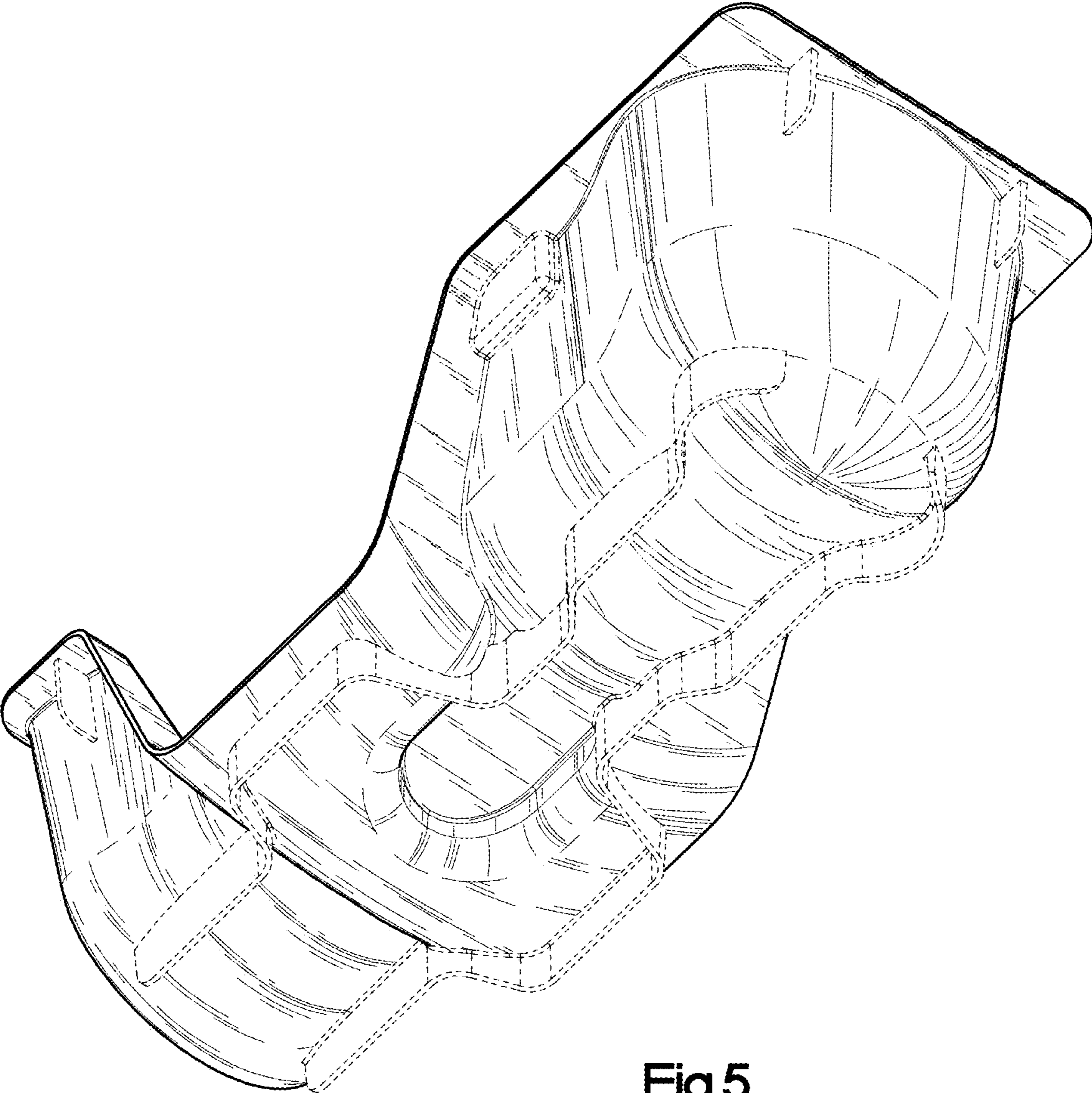


Fig.5

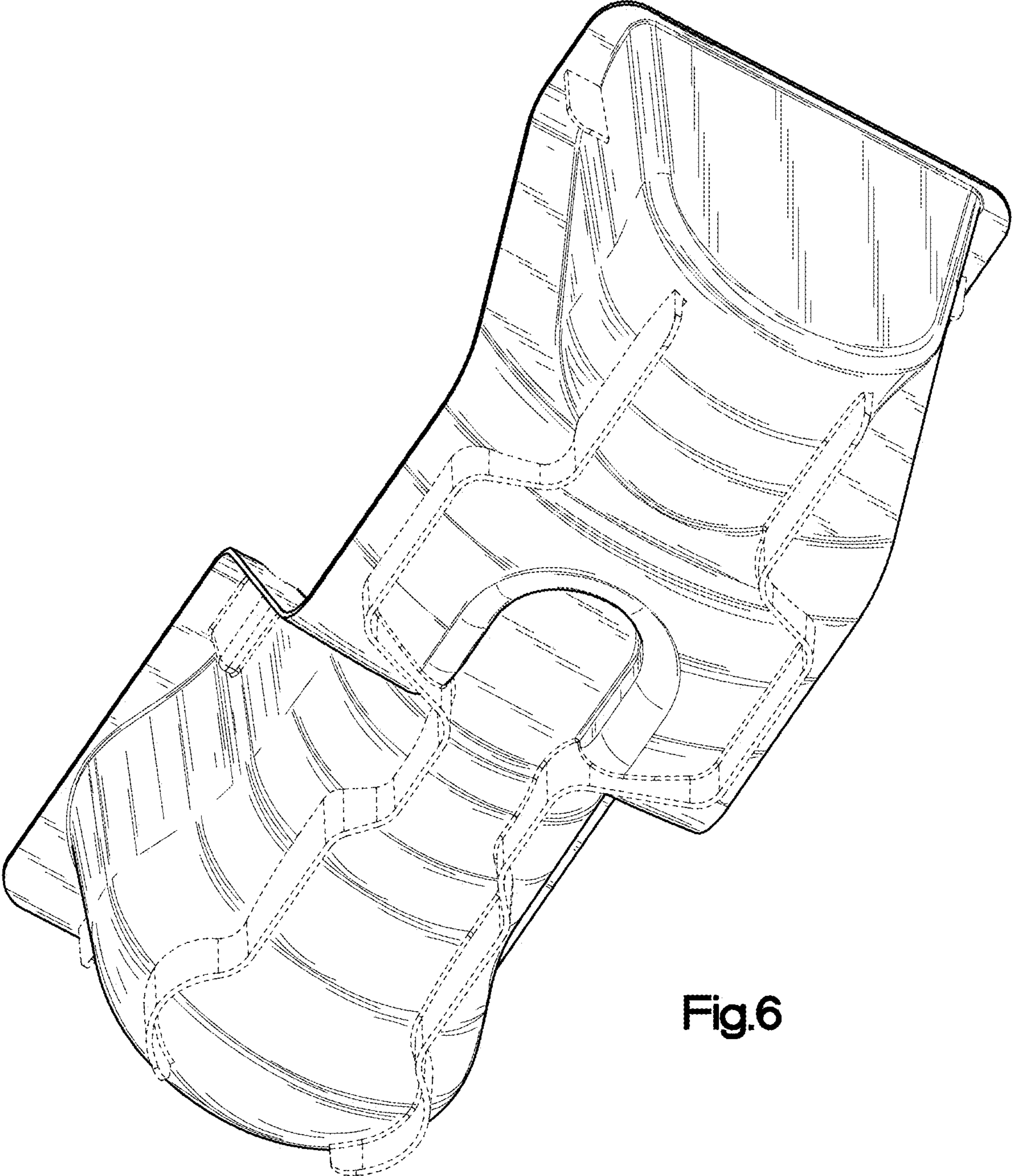


Fig.6

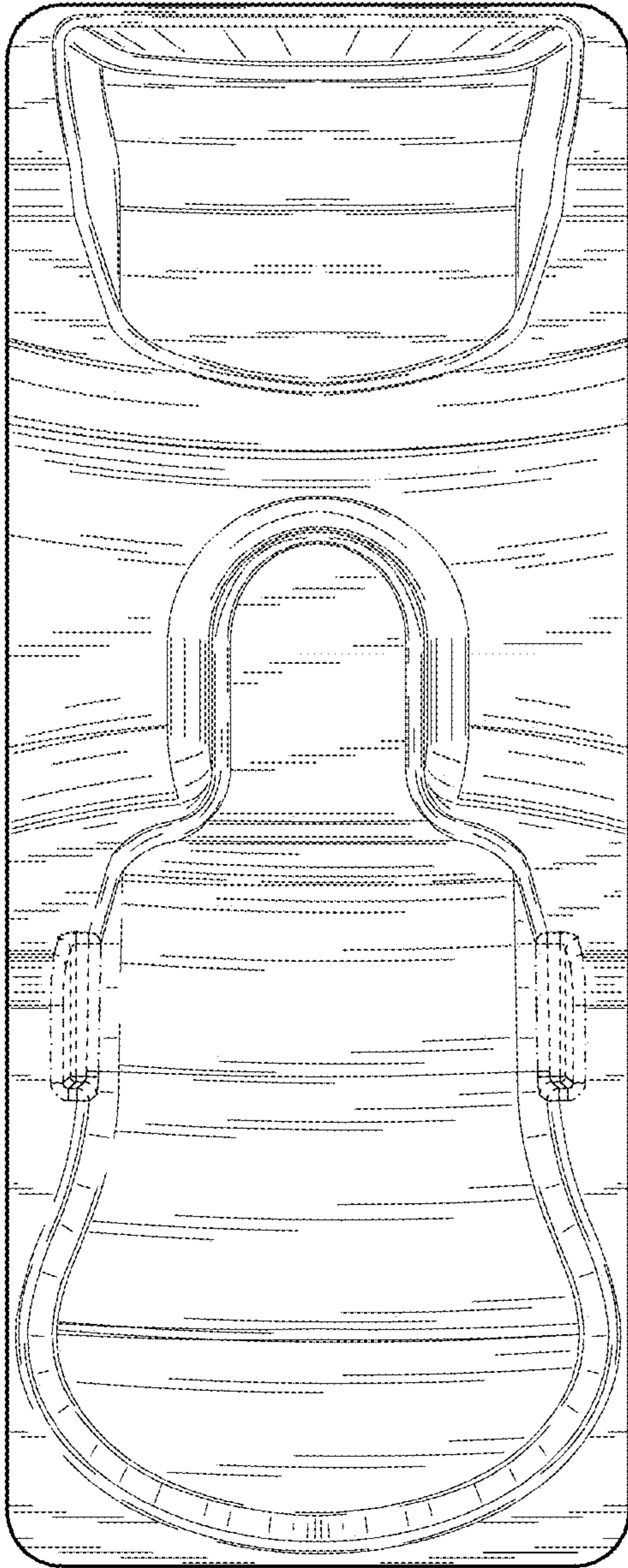


Fig.7

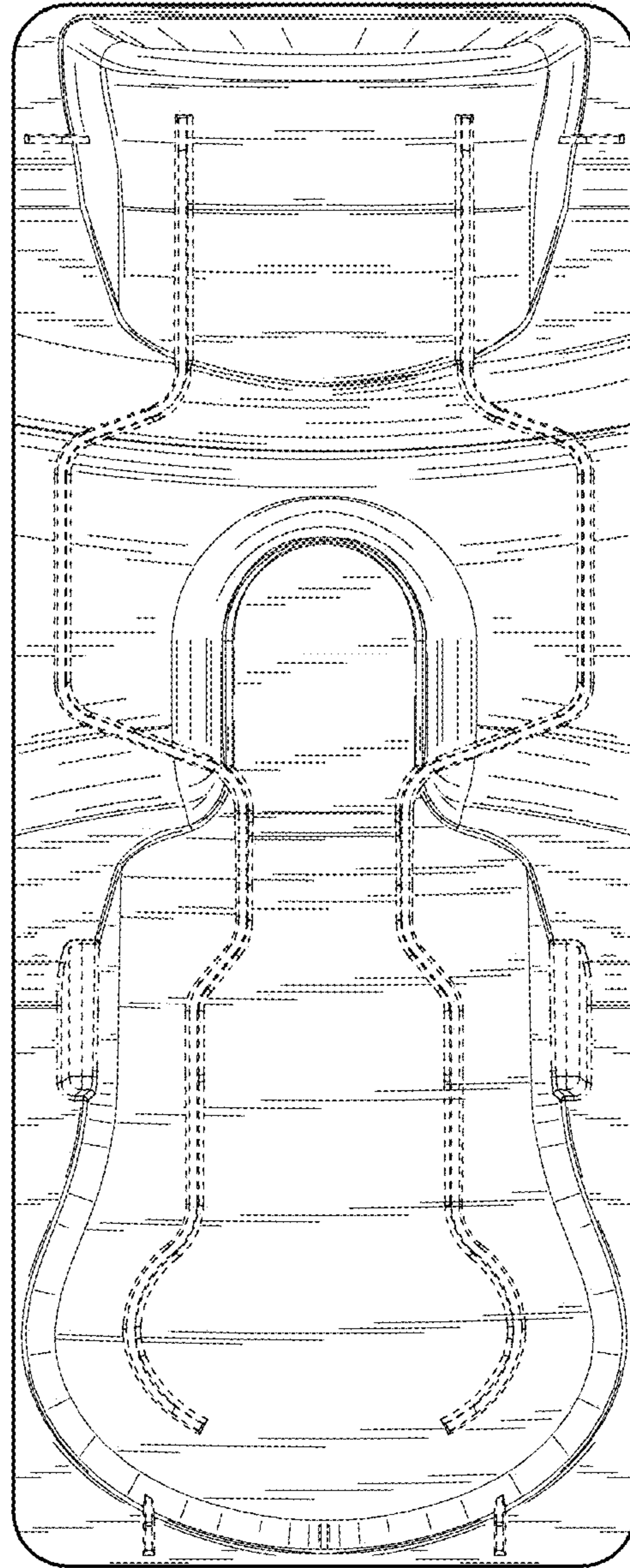


Fig.8

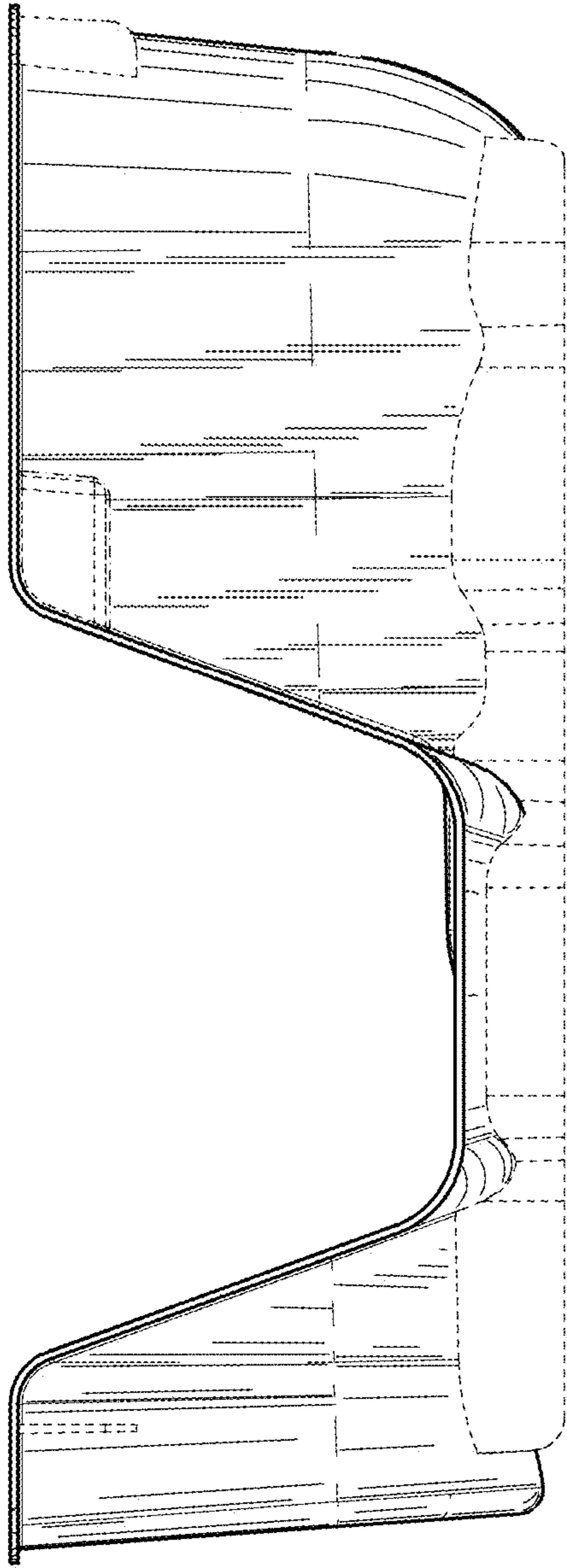


Fig.9

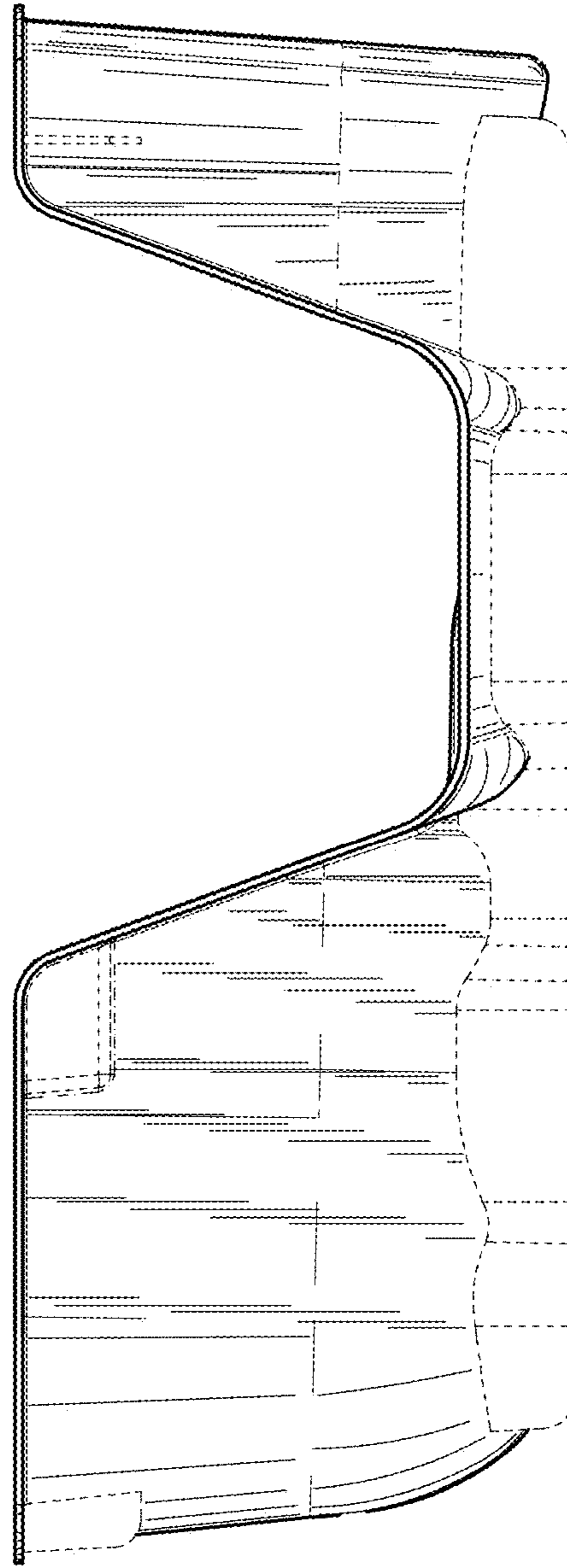


Fig.10

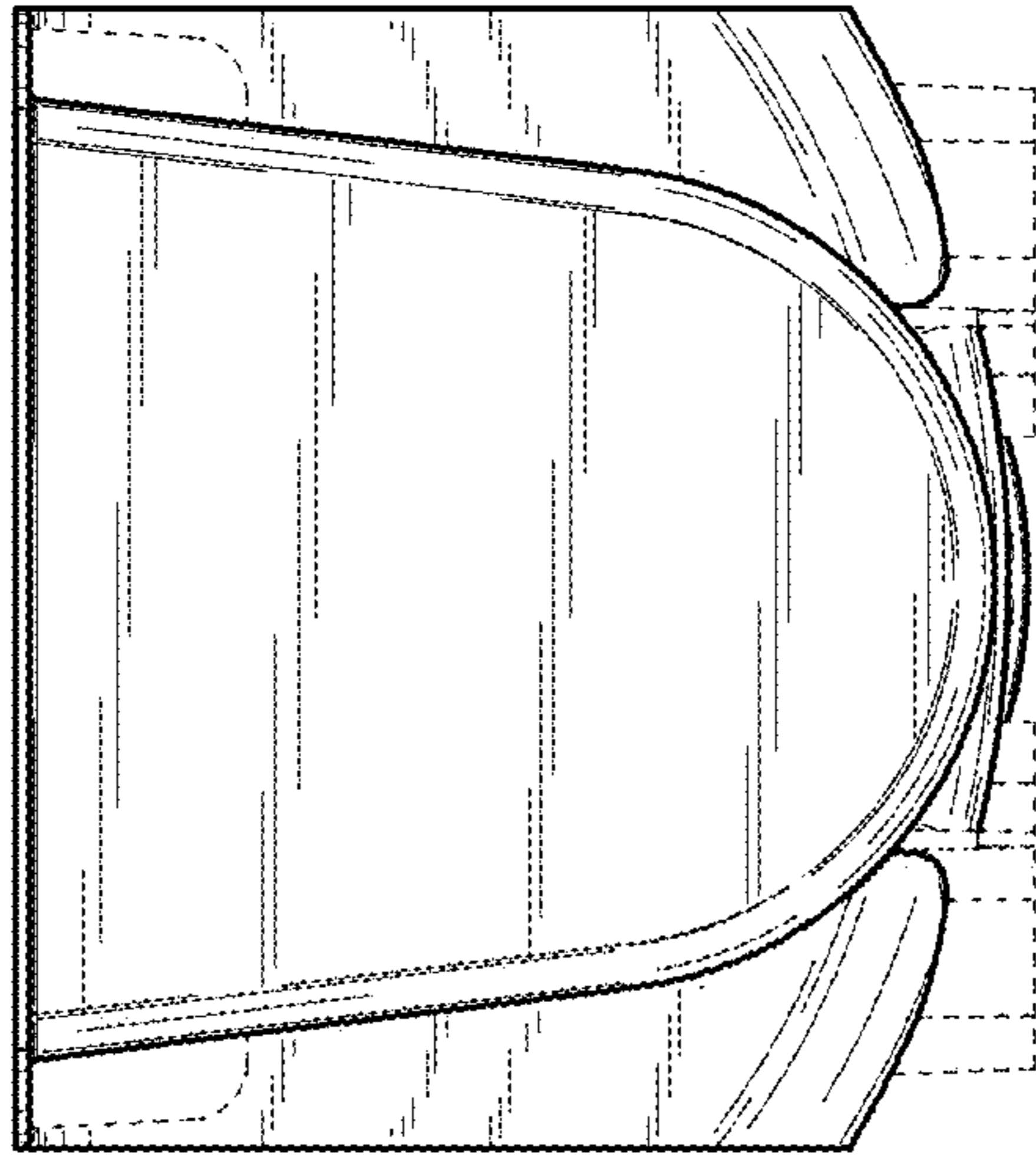


Fig.12

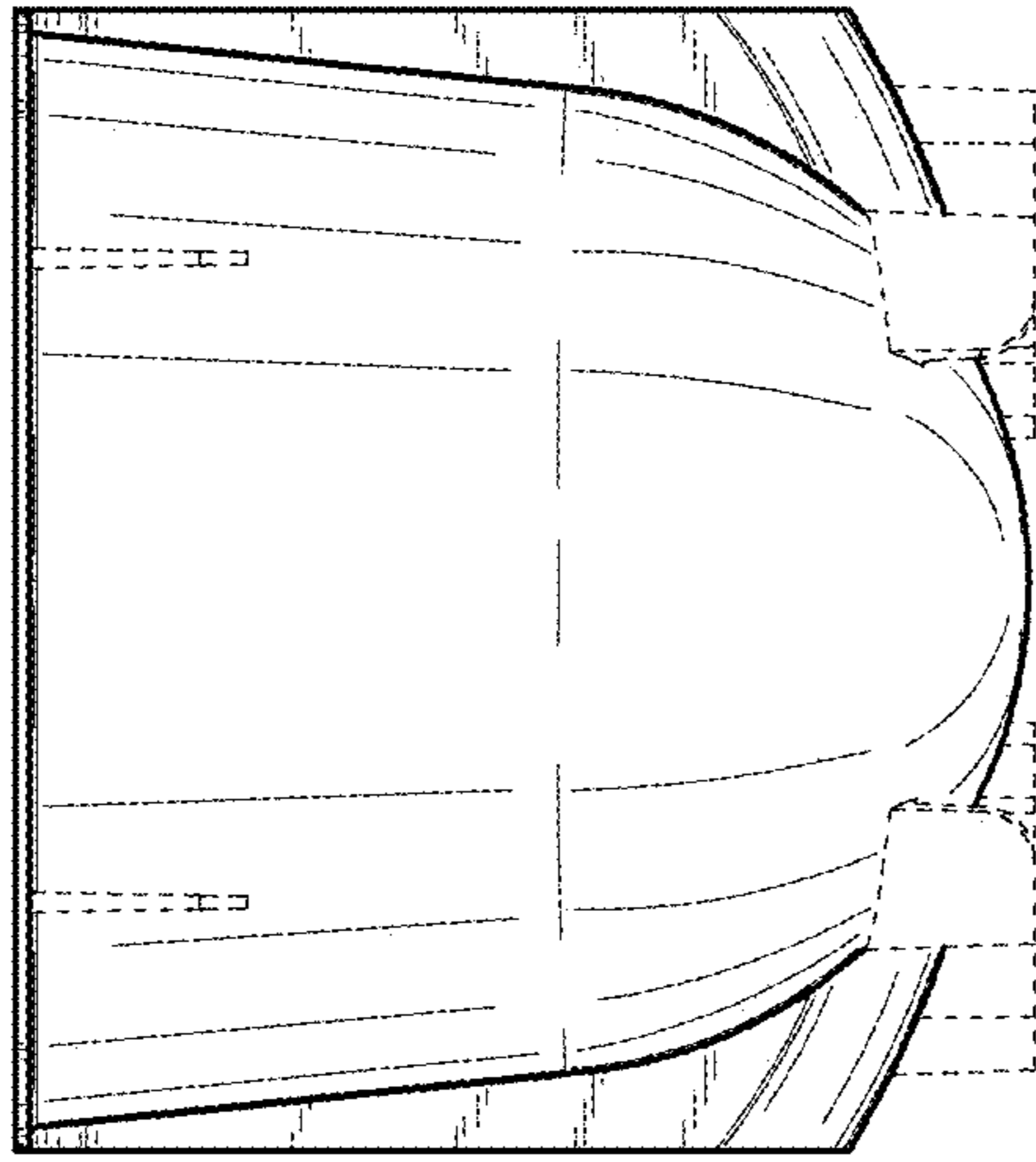


Fig.11