



US00D949017S

(12) **United States Design Patent** (10) **Patent No.:** **US D949,017 S**
Bradley (45) **Date of Patent:** **** Apr. 19, 2022**

(54) **CONTAINER CLOSURE**

41/56; B65D 41/62; B65D 47/00; B65D 47/06; B65D 47/08; B65D 2251/00; B65D

(71) Applicant: **Mark Anthony Bradley**, Galway (IE)

(Continued)

(72) Inventor: **Mark Anthony Bradley**, Galway (IE)

(56)

References Cited

(**) Term: **15 Years**

U.S. PATENT DOCUMENTS

(21) Appl. No.: **29/679,926**

D195,372 S * 6/1963 Worsley D9/439
D203,947 S * 3/1966 Pick D8/387

(22) Filed: **Feb. 11, 2019**

(Continued)

Related U.S. Application Data

OTHER PUBLICATIONS

(62) Division of application No. 29/505,278, filed on Apr. 17, 2014, now abandoned.

PackagingNews "UK Packaging Awards 2016 / Winner: Innovation of the Year" (online) posted by PN Staff on Oct. 28, 2016. Retrieved from Internet on Jul. 29, 2021, URL: <https://www.packagingnews.co.uk/news/events/uk-packaging-awards-2016/uk-packaging-awards-2016-winner-innovation-of-the-year-28-10-2016> (5 pages).*

(30) **Foreign Application Priority Data**

Oct. 17, 2013 (EM) 002328864-001
Oct. 17, 2013 (EM) 002328864-002
Oct. 17, 2013 (EM) 002328864-003
Oct. 17, 2013 (EM) 002328864-004
Oct. 17, 2013 (EM) 002328864-005
Oct. 17, 2013 (EM) 002328864-006
Oct. 17, 2013 (EM) 002328864-007
Oct. 17, 2013 (EM) 002328864-008

Primary Examiner — Wendy L Arminio
(74) *Attorney, Agent, or Firm* — Galvin Patent Law LLC; Brian R. Galvin; Brian S. Boon

(57)

CLAIM

The ornamental design for a container closure, as shown and described.

DESCRIPTION

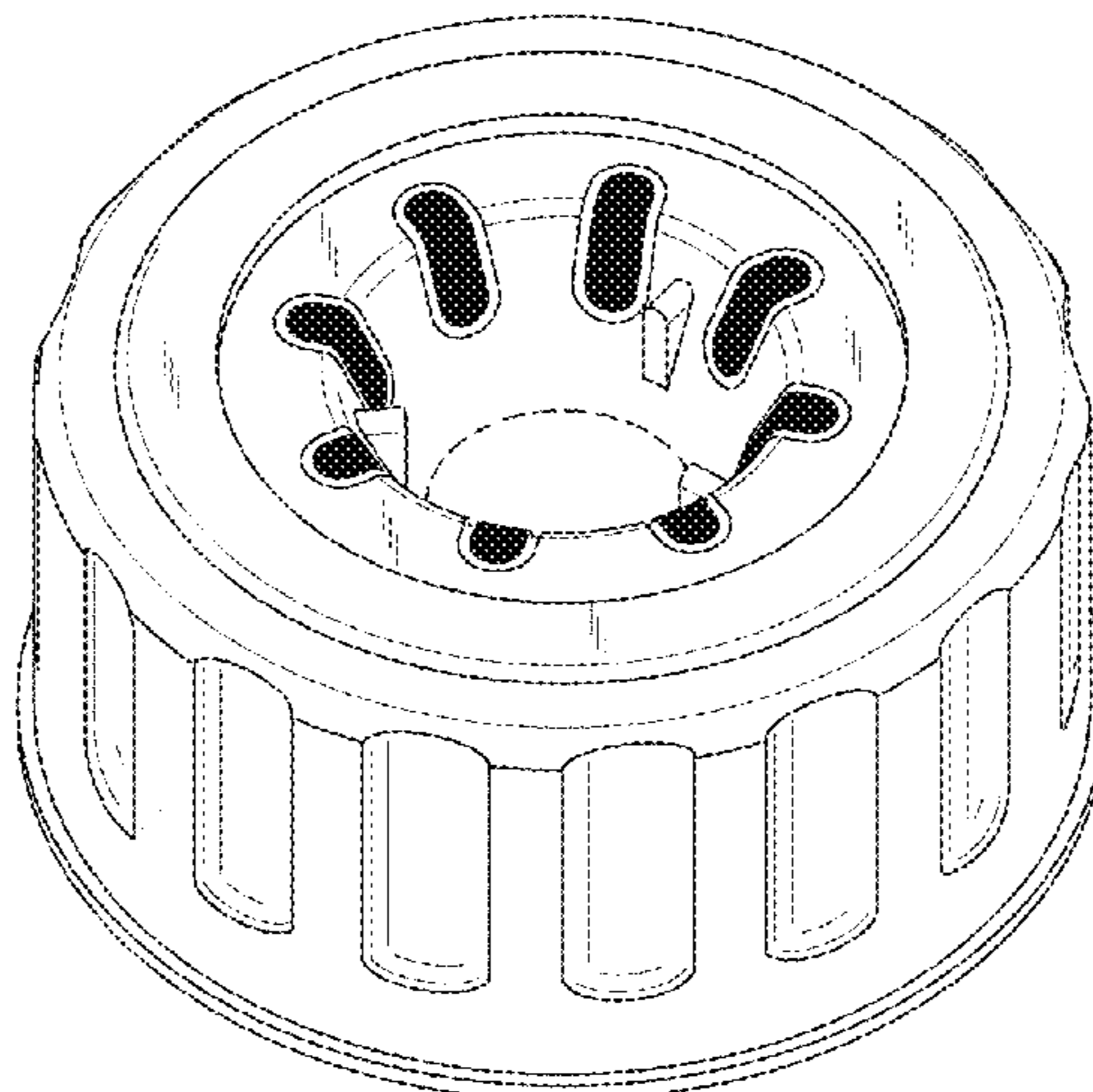
(51) **LOC (13) Cl.** **09-07**

(52) **U.S. Cl.**
USPC **D9/453**

(58) **Field of Classification Search**
USPC D9/414, 434, 435, 439, 440, 441, D9/443-445, 447-455, 456, 499, 501, D9/503-505, 516, 517, 529, 682, 685, D9/686; D7/387, 391, 392, 392.1, 396.1, D7/396.2, 396.4, 403, 507, 509-511, 538, D7/629, 900; D3/202, 203.2, 294, 318; D28/91, 91.1; D8/343, 346, 352, 382, D8/397, 399
CPC .. A61J 1/00; A61J 1/1412; B65D 1/00; B65D 1/02; B65D 1/10; B65D 1/46; B65D 5/46; B65D 41/00; B65D 41/38; B65D

FIG. 1 is a top view of a first embodiment of a container closure.
FIG. 2 is a perspective view thereof.
FIG. 3 is a side elevation view thereof.
FIG. 4 is a top view of a second embodiment of a container closure.
FIG. 5 is a perspective view thereof; and,
FIG. 6 is a side elevation view thereof.
The underside of the container closure is not shown and is not part of the claimed design.
All sides of the container closure are identical.
The broken line and the space contained inside of the broken line depict portions of the container closure that form no part of the claimed design.

1 Claim, 4 Drawing Sheets



(58) **Field of Classification Search**
 CPC 2543/00046; B65D 2543/00092; B65D
 2543/00296
 See application file for complete search history.

(56) **References Cited**

U.S. PATENT DOCUMENTS

D247,351 S * 2/1978 Barthropp D9/453
 5,259,534 A * 11/1993 Lynd B67D 3/0032
 D9/453
 D344,763 S * 3/1994 Vitantonio D9/434
 D356,871 S * 3/1995 Dunn D9/452
 D362,995 S * 10/1995 Marsico D7/387
 D412,435 S * 8/1999 Cultice, Jr. D8/397
 D445,678 S * 7/2001 Malmberg D9/453
 D445,681 S * 7/2001 Kimble D9/434
 D513,181 S * 12/2005 Bloom D9/454
 D516,911 S * 3/2006 Bloom D9/453
 D520,351 S * 5/2006 Alkalay D8/382
 D521,941 S * 5/2006 Phung D13/156
 D562,683 S * 2/2008 Sweeton D9/454
 D571,199 S * 6/2008 Petrosino D9/435
 D592,954 S * 5/2009 Capretta D9/453

D600,546 S * 9/2009 Scilingo D8/397
 D616,747 S * 6/2010 Stull D9/452
 D679,591 S * 4/2013 Stull, Sr. D9/452
 D679,592 S * 4/2013 Stull, Sr. D9/452
 D681,462 S * 5/2013 Taylor D9/453
 D687,709 S * 8/2013 Taylor D9/453
 D690,201 S * 9/2013 Klebeck D9/453
 D702,543 S * 4/2014 Bell D8/397
 D712,744 S * 9/2014 Neputy D9/454
 D713,705 S * 9/2014 Mina D8/68
 D724,936 S * 3/2015 Coronado D8/397
 D733,558 S * 7/2015 Wyne D9/447
 D760,589 S * 7/2016 Smith D9/452
 D786,966 S * 5/2017 Matsushita D9/443
 D808,263 S * 1/2018 Patel D9/436
 D817,760 S * 5/2018 Petrosino D9/452
 D830,312 S * 10/2018 Nguyen D13/154
 D878,803 S * 3/2020 Turner D6/542
 D906,811 S * 1/2021 Mandell D9/453
 2014/0253647 A1 * 9/2014 Otsuka B41J 2/17546
 347/86
 2015/0336719 A1 * 11/2015 Bradley B65D 47/06
 220/212
 2020/0029748 A1 * 1/2020 Bradley A47K 5/12

* cited by examiner

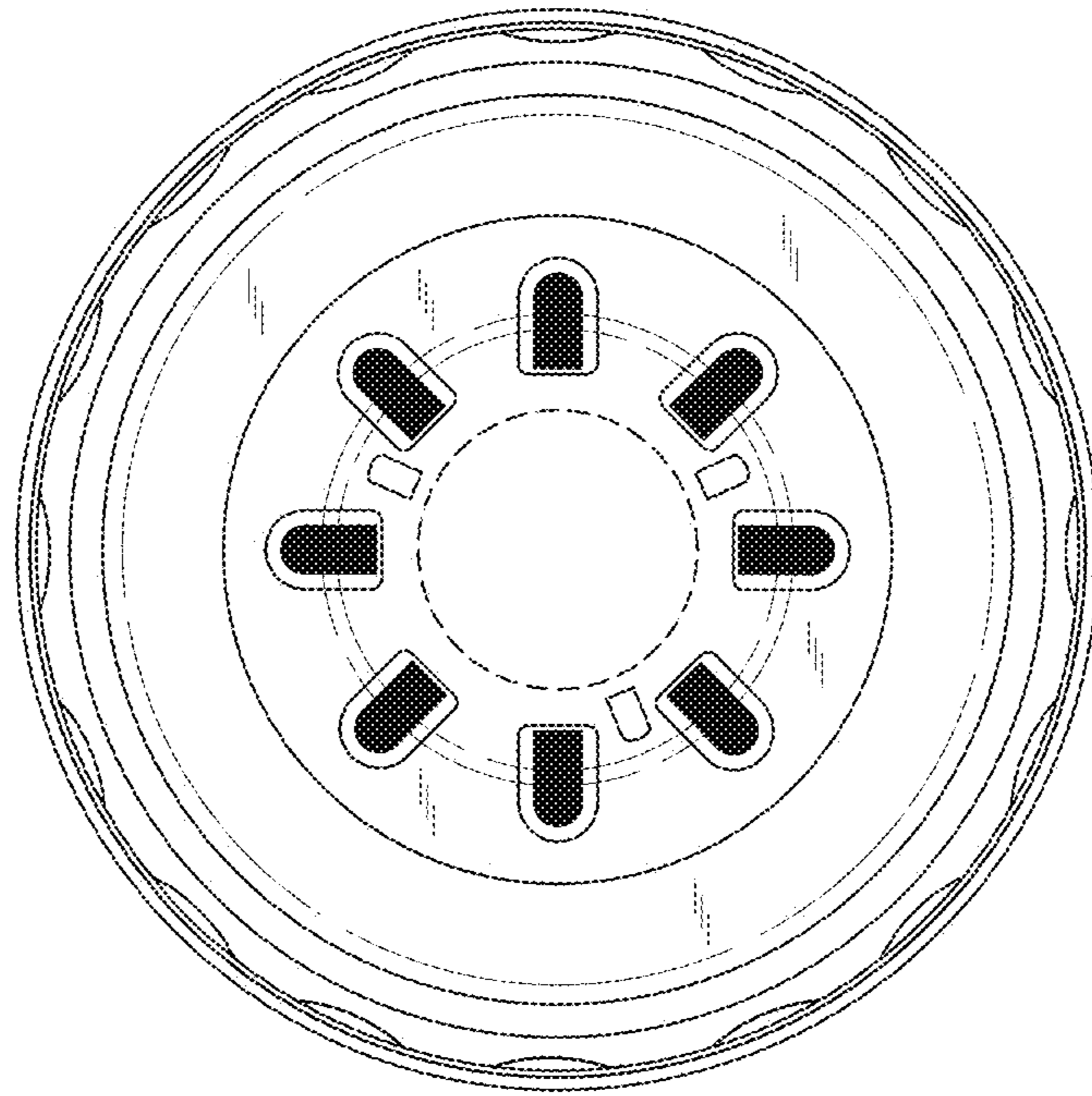


Fig. 1

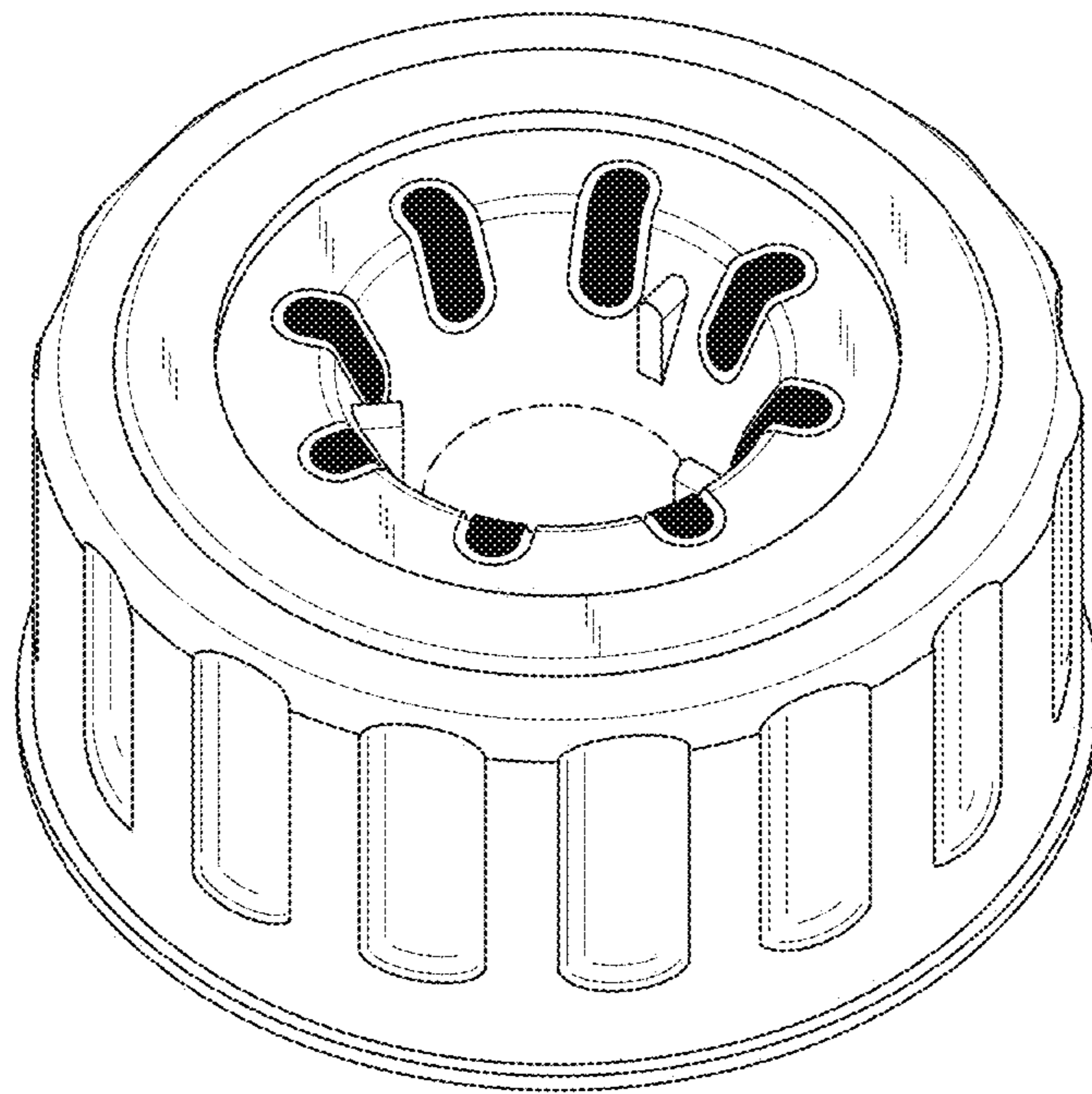


Fig. 2

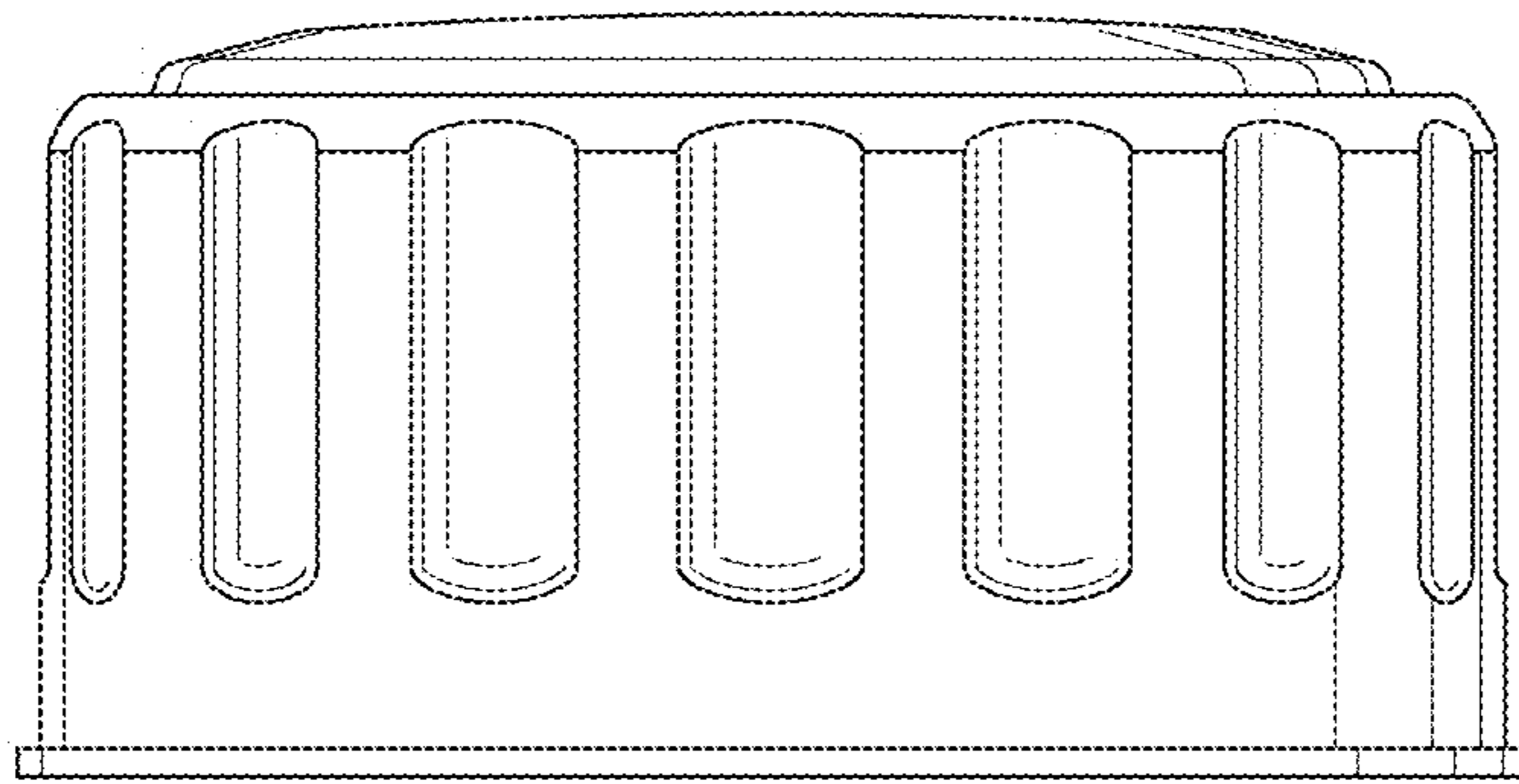


Fig. 3

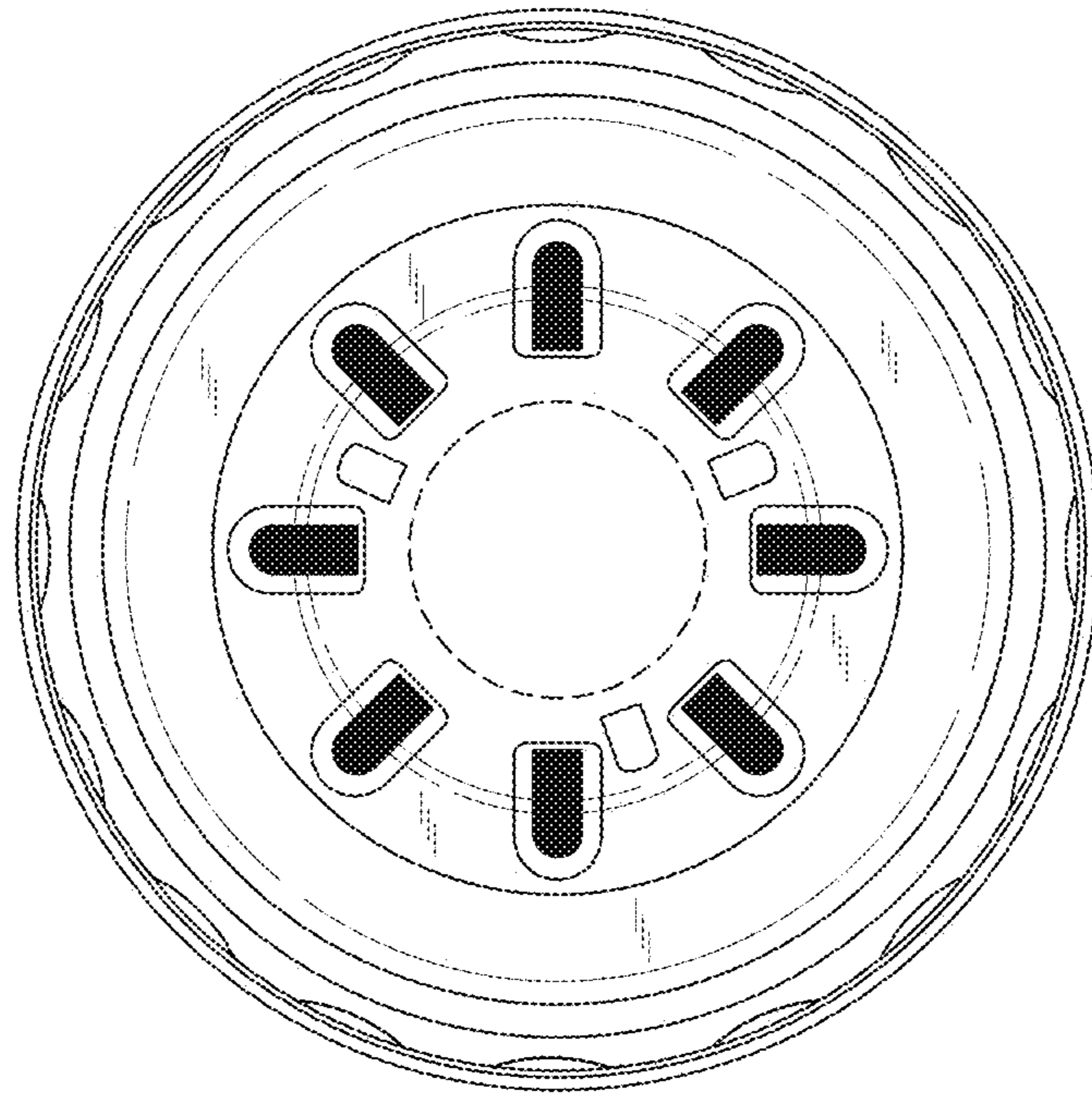


Fig. 4

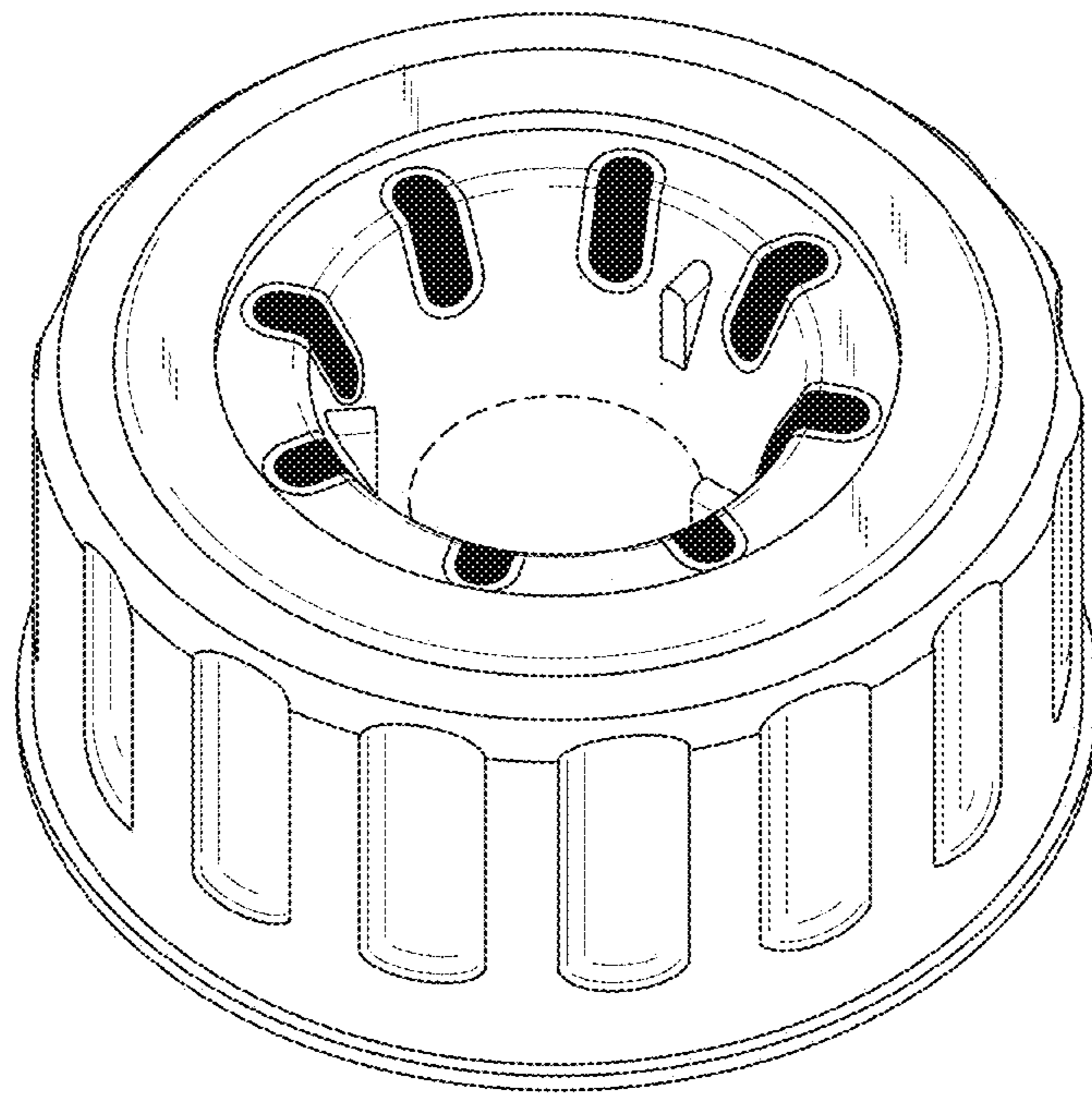


Fig. 5

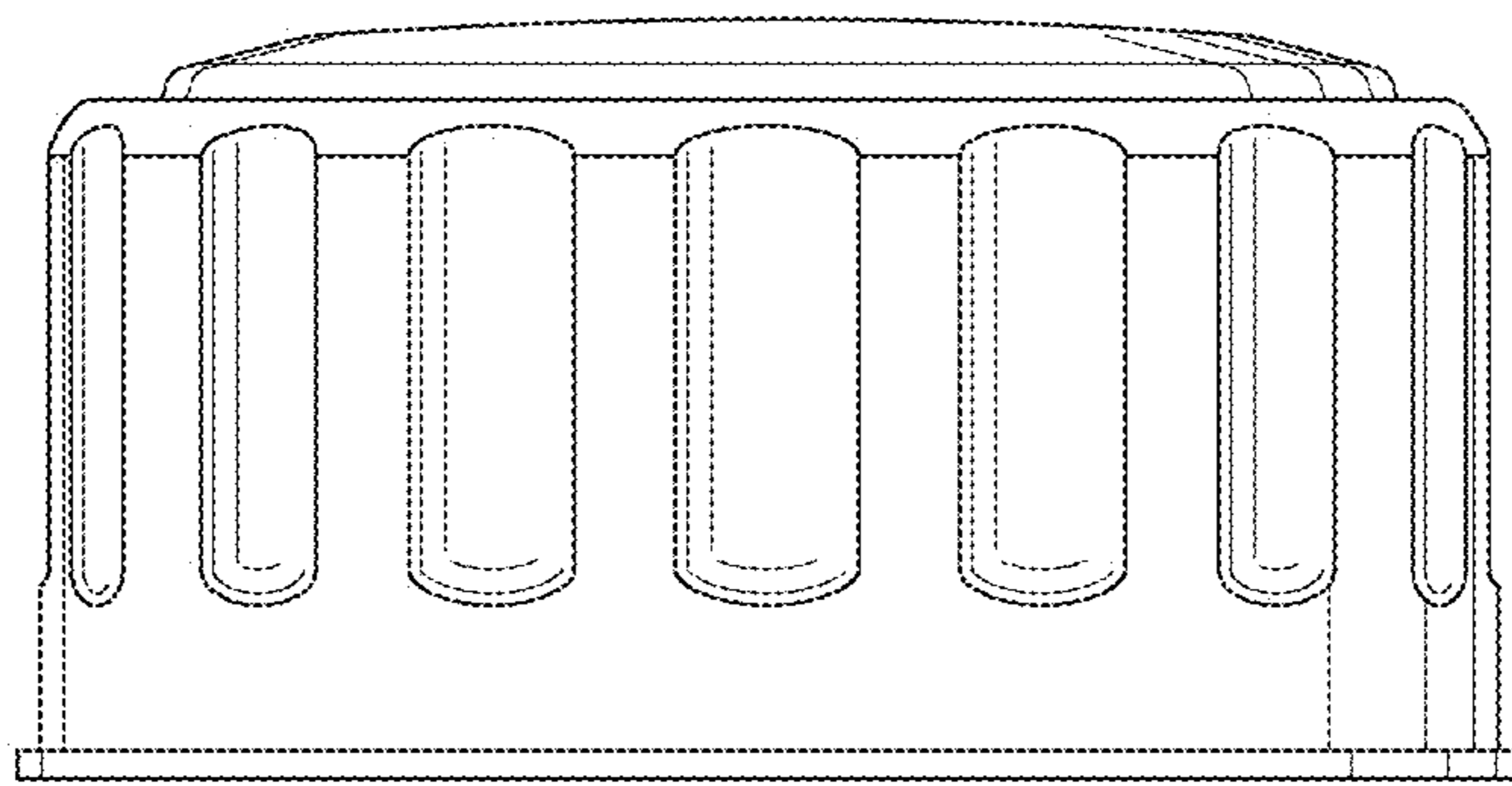


Fig. 6