



US00D949016S

(12) **United States Design Patent** (10) **Patent No.:** **US D949,016 S**  
**Gu** (45) **Date of Patent:** **\*\* Apr. 19, 2022**

(54) **LIQUID ATOMIZER**

G03B 11/041; F16M 11/08; A61J 1/06;  
A61J 1/065; A61J 1/2093; A61J 1/201;  
(Continued)

(71) Applicant: **SUZHOU SKYWELL  
HEALTHCARE INFORMATION  
CO., LTD.**, Jiangsu (CN)

(56) **References Cited**

(72) Inventor: **Yu Gu**, Jiangsu (CN)

U.S. PATENT DOCUMENTS

(73) Assignee: **SUZHOU SKYWELL  
HEALTHCARE INFORMATION  
CO., LTD.**, Jiangsu (CN)

4,353,869 A \* 10/1982 Guth ..... A61J 1/00  
215/386  
D388,501 S \* 12/1997 Clivio ..... D23/213  
D456,261 S \* 4/2002 Gobe ..... D9/448  
(Continued)

(\*\*) Term: **15 Years**

FOREIGN PATENT DOCUMENTS

(21) Appl. No.: **29/726,155**

JP D1668451 \* 9/2020

(22) Filed: **Feb. 28, 2020**

*Primary Examiner* — Catherine S Posthauer  
(74) *Attorney, Agent, or Firm* — Jun He Law Offices  
P.C.; James J. Zhu

(30) **Foreign Application Priority Data**

Sep. 2, 2019 (CN) ..... 201930480959.3

(51) **LOC (13) Cl.** ..... **09-07**

(52) **U.S. Cl.**  
USPC ..... **D9/448; D24/121**

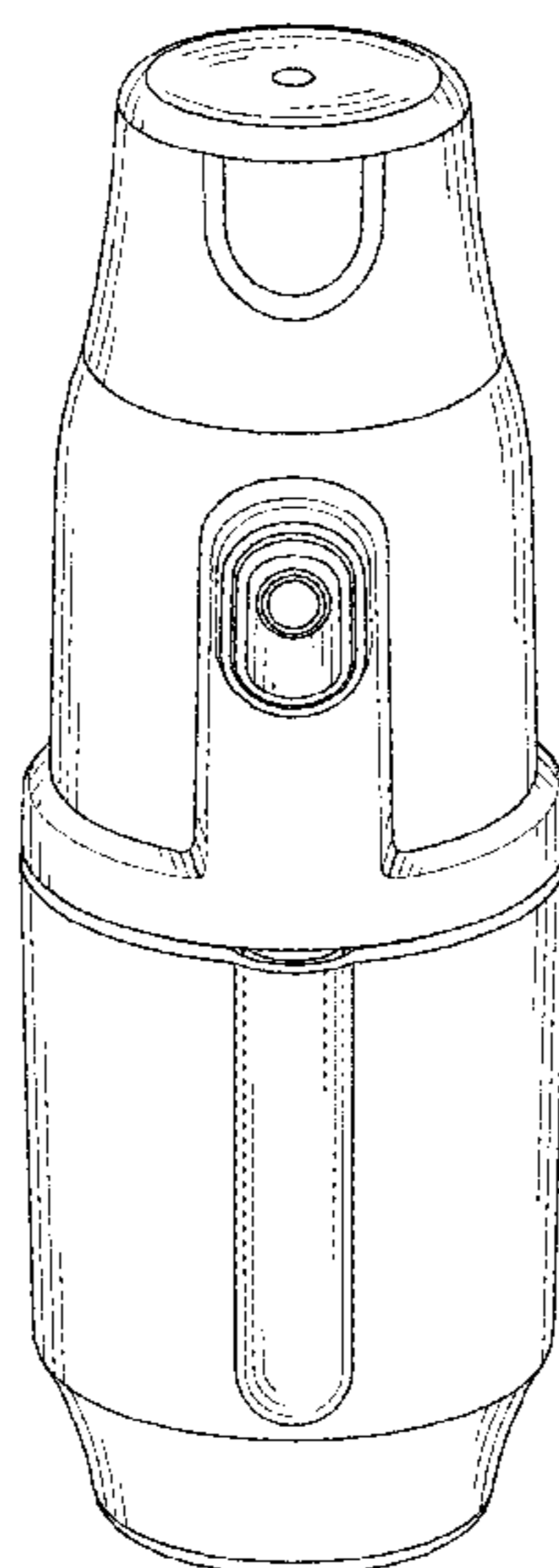
(58) **Field of Classification Search**  
USPC ..... D7/387, 391, 392, 392.1, 396.1, 396.2,  
D7/397, 398, 401.1, 415; D9/503, 504,  
D9/505, 516, 529, 548, 549, 434, 435,  
D9/436, 439, 440, 448, 453, 454, 726,  
D9/695, 696, 707, 708, 712, 447, 723,  
D9/724, 727; D19/115, 192, 194;  
D23/213, 226, 249, 255; D24/111, 112,  
D24/119, 127, 130, 141, 169, 197, 199,  
D24/222, 224, 121–126, 193–196,  
D24/206–207; D27/194  
CPC ..... B65D 47/103; B65D 43/0222; B65D  
2543/00046; B65D 2543/00092; B65D  
25/48; A47G 19/2272; B65B 1/04; B65B  
29/06; B05B 11/3059; B05B 11/0027;  
B05B 11/0032; B05B 11/3004; B05B  
11/3015; B05B 11/306; B05B 11/3064;

(57) **CLAIM**  
The ornamental design for an liquid atomizer, as shown and described.

**DESCRIPTION**

FIG. 1 is a perspective view of a liquid atomizer showing our new design.  
FIG. 2 is a front view of the liquid atomizer shown in FIG. 1.  
FIG. 3 is a rear view of the liquid atomizer shown in FIG. 1.  
FIG. 4 is a left view of the liquid atomizer shown in FIG. 1.  
FIG. 5 is a right view of the liquid atomizer shown in FIG. 1.  
FIG. 6 is a top view of the liquid atomizer shown in FIG. 1; and,  
FIG. 7 is a bottom view of the liquid atomizer shown in FIG. 1.  
The broken lines are shown for the purpose of illustrating parts of the article that form no part of the claimed design.

**1 Claim, 6 Drawing Sheets**



(58) **Field of Classification Search**

CPC ..... F16K 99/00; F16K 99/23; F16K 15/026;  
F16K 15/046; Y10T 137/9929

See application file for complete search history.

(56) **References Cited**

U.S. PATENT DOCUMENTS

D596,940	S	*	7/2009	Eigenstetter	.....	D9/448
D608,655	S	*	1/2010	Brewer	.....	D9/689
D632,366	S	*	2/2011	Marinoni	.....	D23/249
D634,197	S	*	3/2011	Guilmeau	.....	D9/448
D712,257	S	*	9/2014	Schwall	.....	D9/448
D717,649	S	*	11/2014	Bloc	.....	D9/448
D722,499	S	*	2/2015	Son	.....	D9/448
D756,775	S	*	5/2016	Van Hoof	.....	D9/448
D762,474	S	*	8/2016	Chung	.....	D9/449
D798,148	S	*	9/2017	Bai	.....	D9/448
D868,497	S	*	12/2019	Wei	.....	D6/542
D871,230	S	*	12/2019	Zhang	.....	D9/686
D909,204	S	*	2/2021	Tempfli	.....	D9/448

\* cited by examiner

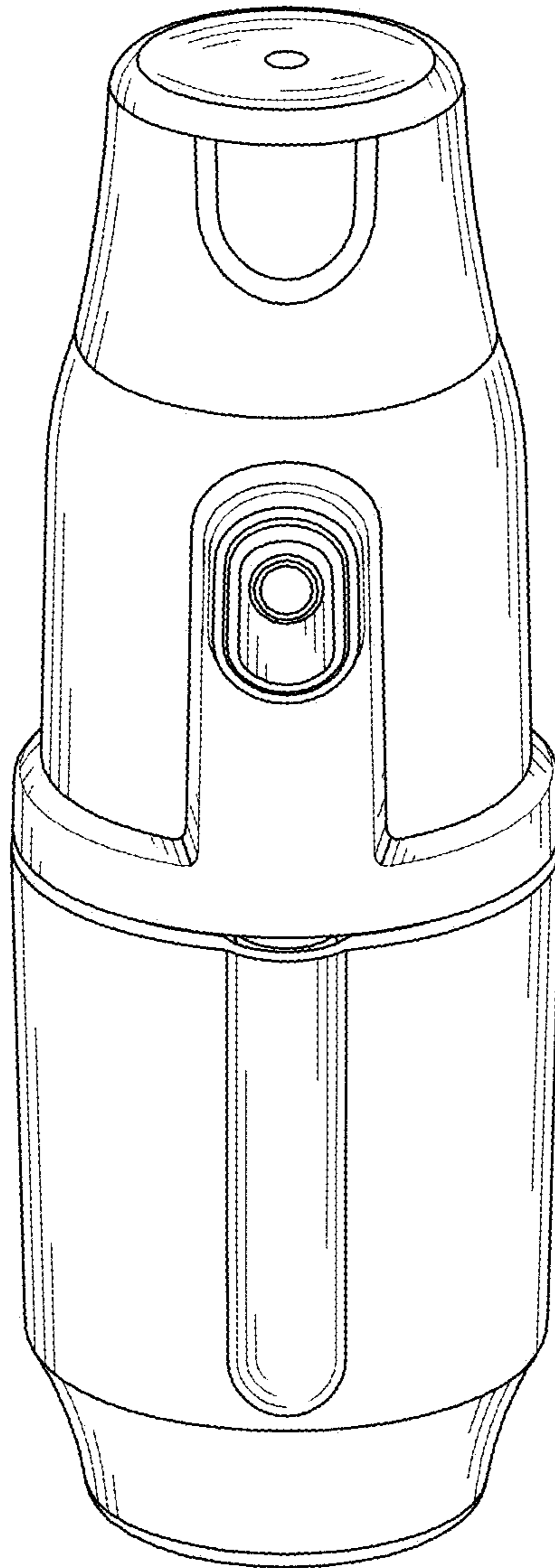


FIG. 1

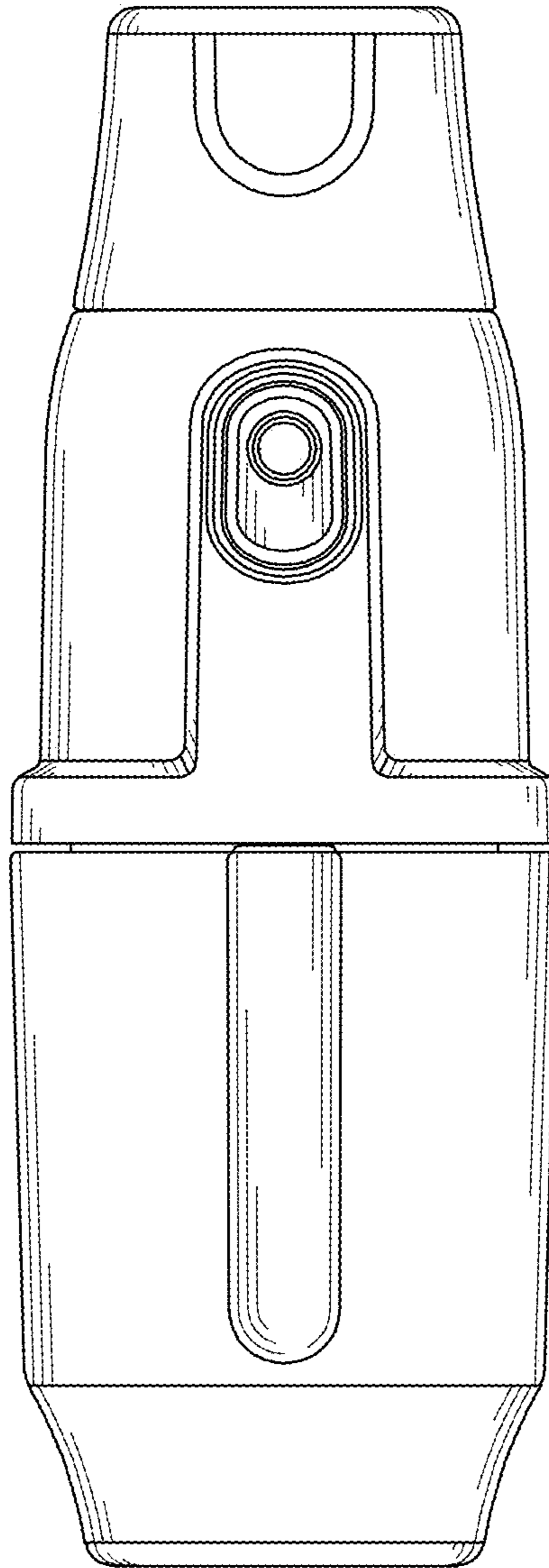


FIG. 2

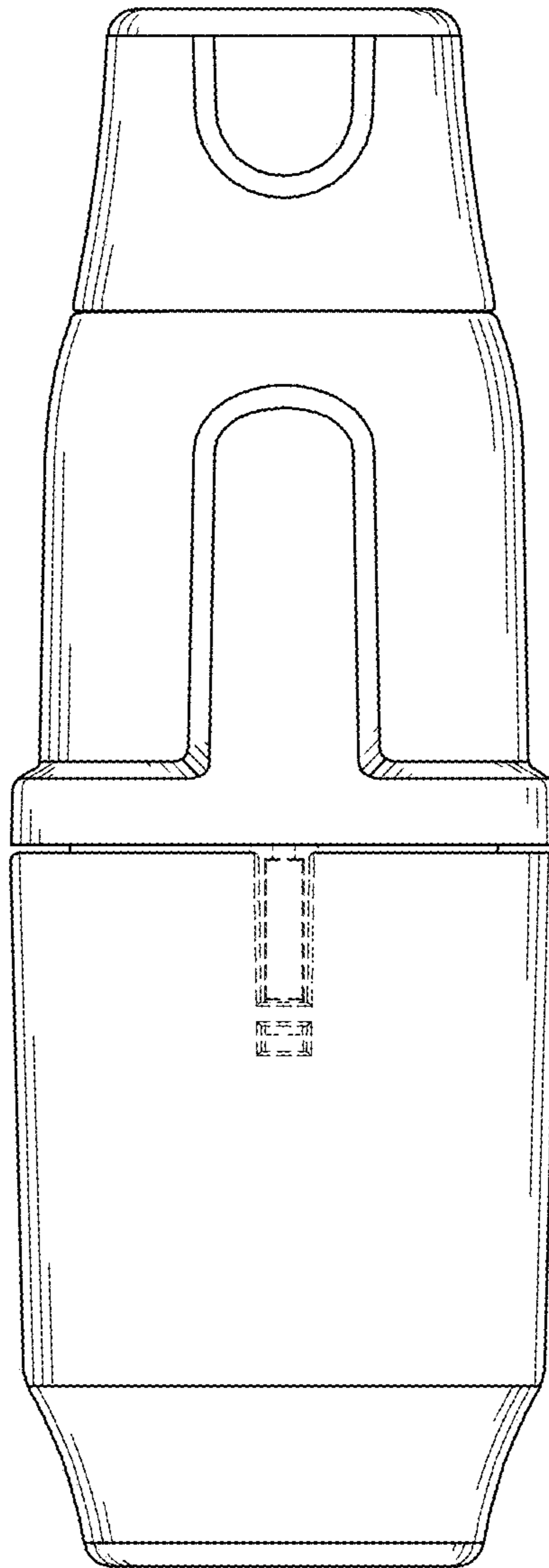


FIG. 3

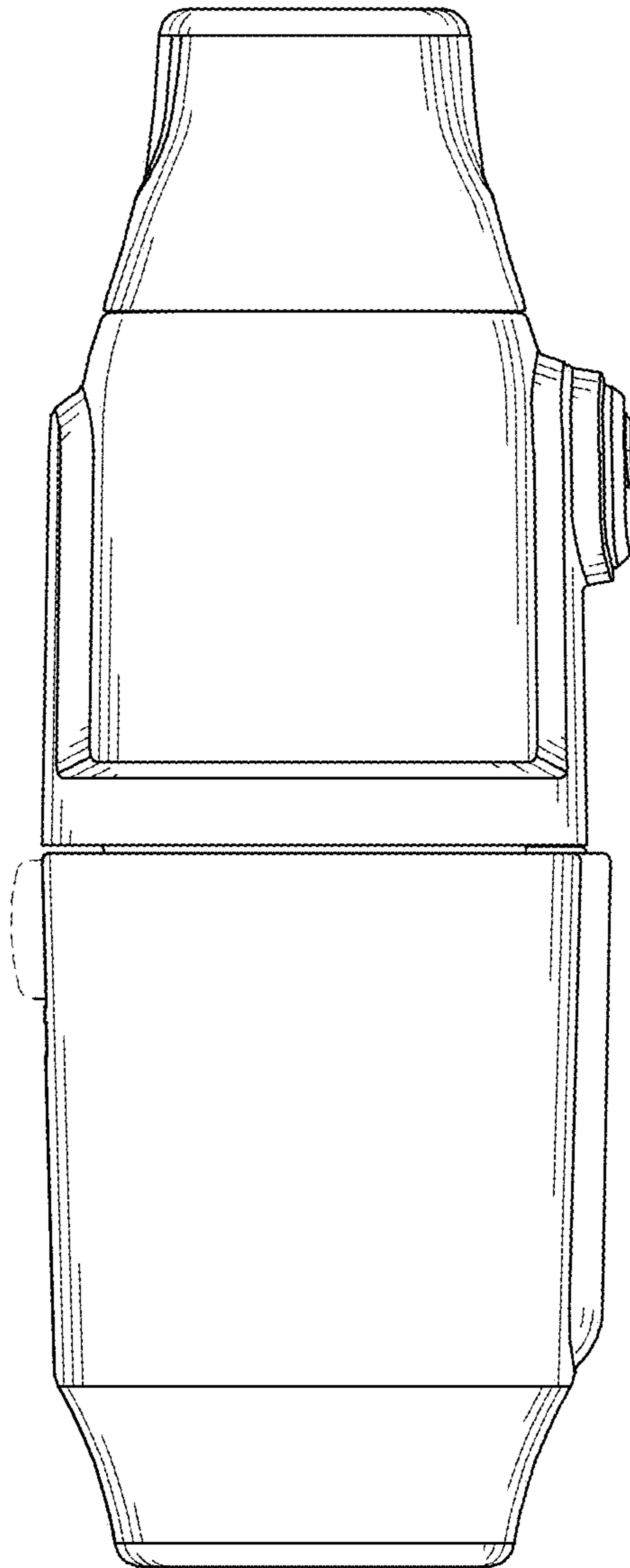


FIG. 4

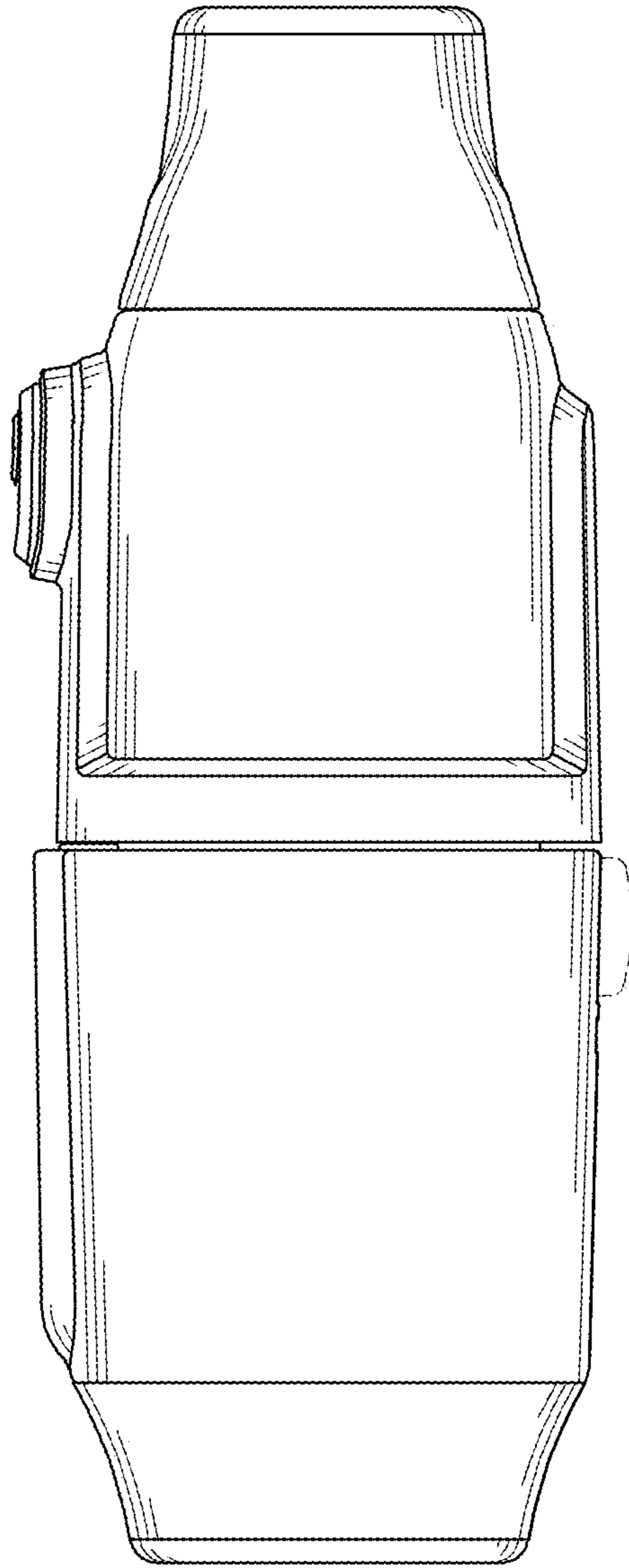


FIG. 5

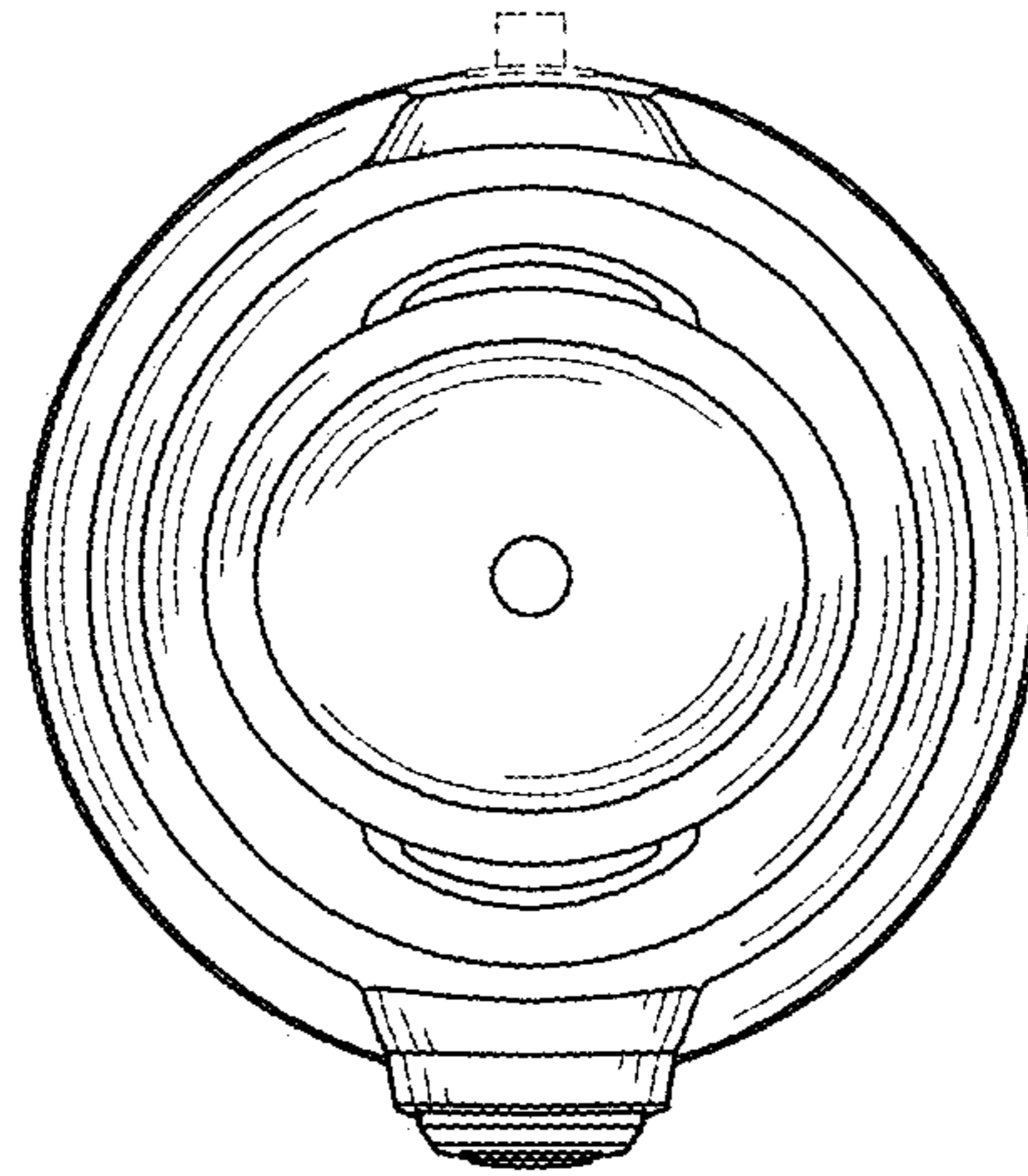


FIG. 6

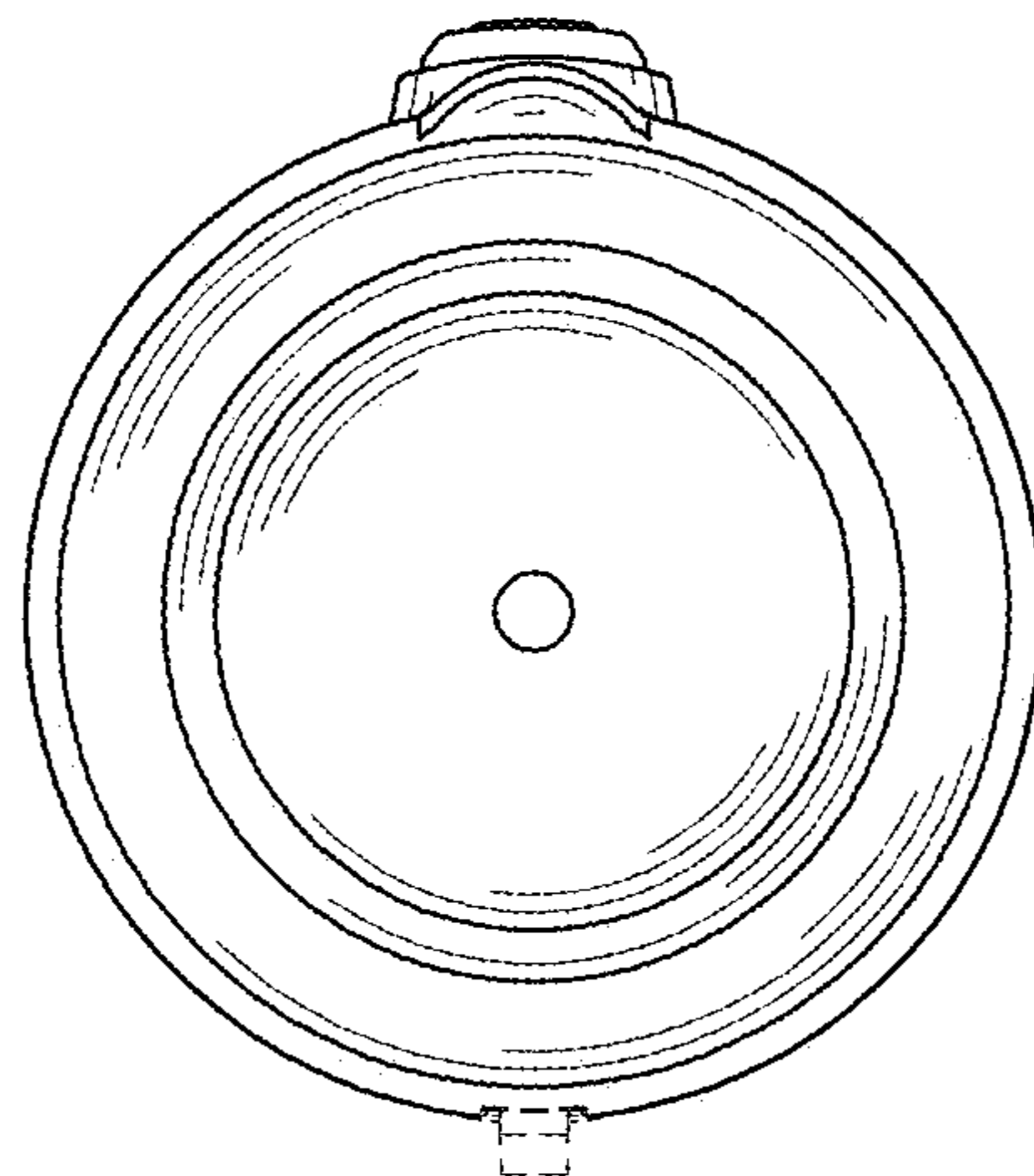


FIG. 7