



US00D949015S

(12) **United States Design Patent**
Ruthe-Steinsiek et al.

(10) **Patent No.:** **US D949,015 S**
(45) **Date of Patent:** **** Apr. 19, 2022**

(54) **DISPENSING NOZZLE**
(71) Applicant: **Henkel AG & Co. KGaA**, Duesseldorf (DE)
(72) Inventors: **Kai Ruthe-Steinsiek**, Duesseldorf (DE); **Karsten Wolf**, Duesseldorf (DE)
(73) Assignee: **Henkel AG & Co. KGaA**, Duesseldorf (DE)
(**) Term: **15 Years**

D721,581 S * 1/2015 Brown D9/447
D737,143 S * 8/2015 Brown D9/447
D764,915 S * 8/2016 Schwartz B65D 41/04
D9/443
D803,054 S * 11/2017 van Spronsen B05D 5/005
D9/443

(Continued)

FOREIGN PATENT DOCUMENTS

IN 225808-0001 * 2/2011
KR 300841451.0000 * 2/2016

OTHER PUBLICATIONS

Amazon Customer, Aug. 25, 2019, Amazon.com Product Review Post, URL: https://www.amazon.com/ORXPLUS-TOOLS-Applicator-Silicone-Caulking/dp/B07MJDDYG/ref=sr_1_19?dchild=1&keywords=Caulking+Applicator+Nozzle&qid=1629386957&sr=8-19#customerReviews (Year: 2019).*

Primary Examiner — Brett Miller
Assistant Examiner — Rani J Abdallah
(74) *Attorney, Agent, or Firm* — James E. Piotrowski

(21) Appl. No.: **29/737,811**
(22) Filed: **Jun. 11, 2020**
(30) **Foreign Application Priority Data**
Dec. 12, 2019 (EM) 007384227
(51) **LOC (13) Cl.** **09-07**
(52) **U.S. Cl.**
USPC **D9/447**
(58) **Field of Classification Search**
USPC D9/439, 440, 442-449, 682, 685, 686,
D9/435, 450, 454; D6/515; D7/507,
D7/509-511, 523, 391, 392, 392.1, 396.2,
D7/605, 608, 900
CPC B65D 83/205; B65D 83/206; B65D 83/40;
B65D 2543/00046; A47G 19/2272
See application file for complete search history.

(57) **CLAIM**

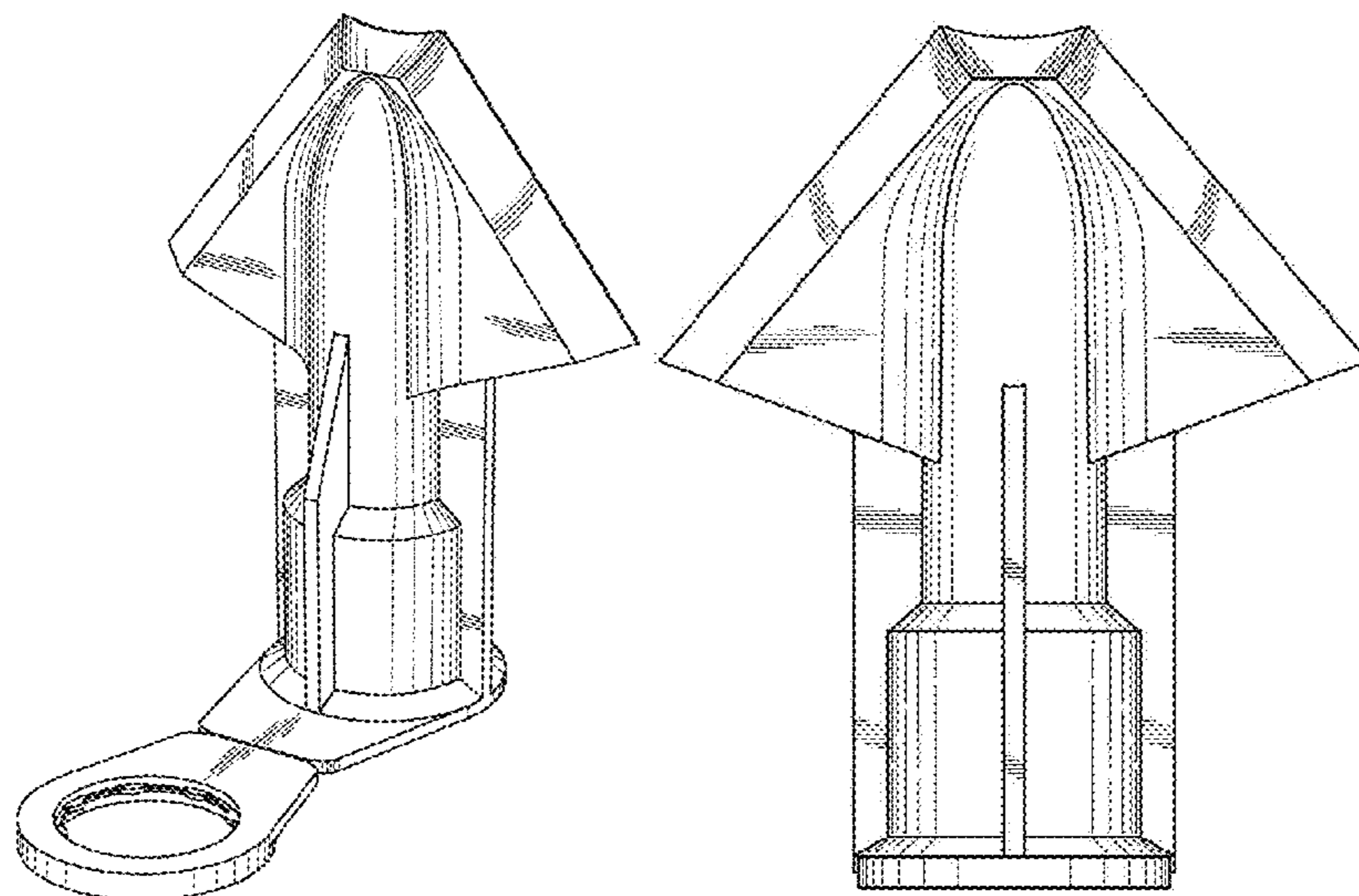
The ornamental design for a dispensing nozzle, as shown.

DESCRIPTION

FIG. 1 is a perspective view of a first embodiment of a dispenser embodying our new design; FIG. 2 is a front elevational view thereof; FIG. 3 is a rear elevational view thereof; FIG. 4 is a right elevational view thereof; FIG. 5 is a left elevational view thereof; FIG. 6 is a bottom plan view thereof; and, FIG. 7 is a top plan view thereof. Any dotted lines shown in the accompanying drawings are intended to illustrate environmental features not intended to be a part of the claimed drawing in the figures in which they appear.

(56) **References Cited**
U.S. PATENT DOCUMENTS
D241,623 S * 9/1976 Meeks D9/447
D358,329 S * 5/1995 Dickie D9/443
D443,488 S * 6/2001 Palladino D9/447
D476,565 S * 7/2003 Rosen D9/447
D545,218 S * 6/2007 Rushe D9/724
D631,346 S * 1/2011 Schwartz D9/443
D675,108 S * 1/2013 Muhl D9/724
D700,511 S * 3/2014 Agassi D9/447
D718,131 S * 11/2014 Brown D9/447

1 Claim, 7 Drawing Sheets



(56)

References Cited

U.S. PATENT DOCUMENTS

| | | | | | | |
|--------------|----|---|---------|-----------------|-------|-------------------------|
| D813,669 | S | * | 3/2018 | Pentland | | D9/447 |
| D832,703 | S | * | 11/2018 | Brown | | D9/447 |
| D898,569 | S | * | 10/2020 | Pentland | | D8/45 |
| D898,570 | S | * | 10/2020 | Pentland | | D13/156 |
| D912,512 | S | * | 3/2021 | Ruthe-Steinsiek | | D8/45 |
| 2010/0294773 | A1 | * | 11/2010 | Schwartz | | B65D 41/04 220/288 |
| 2015/0024131 | A1 | * | 1/2015 | Evans | | B05D 5/005 427/207.1 |

* cited by examiner

Fig. 1

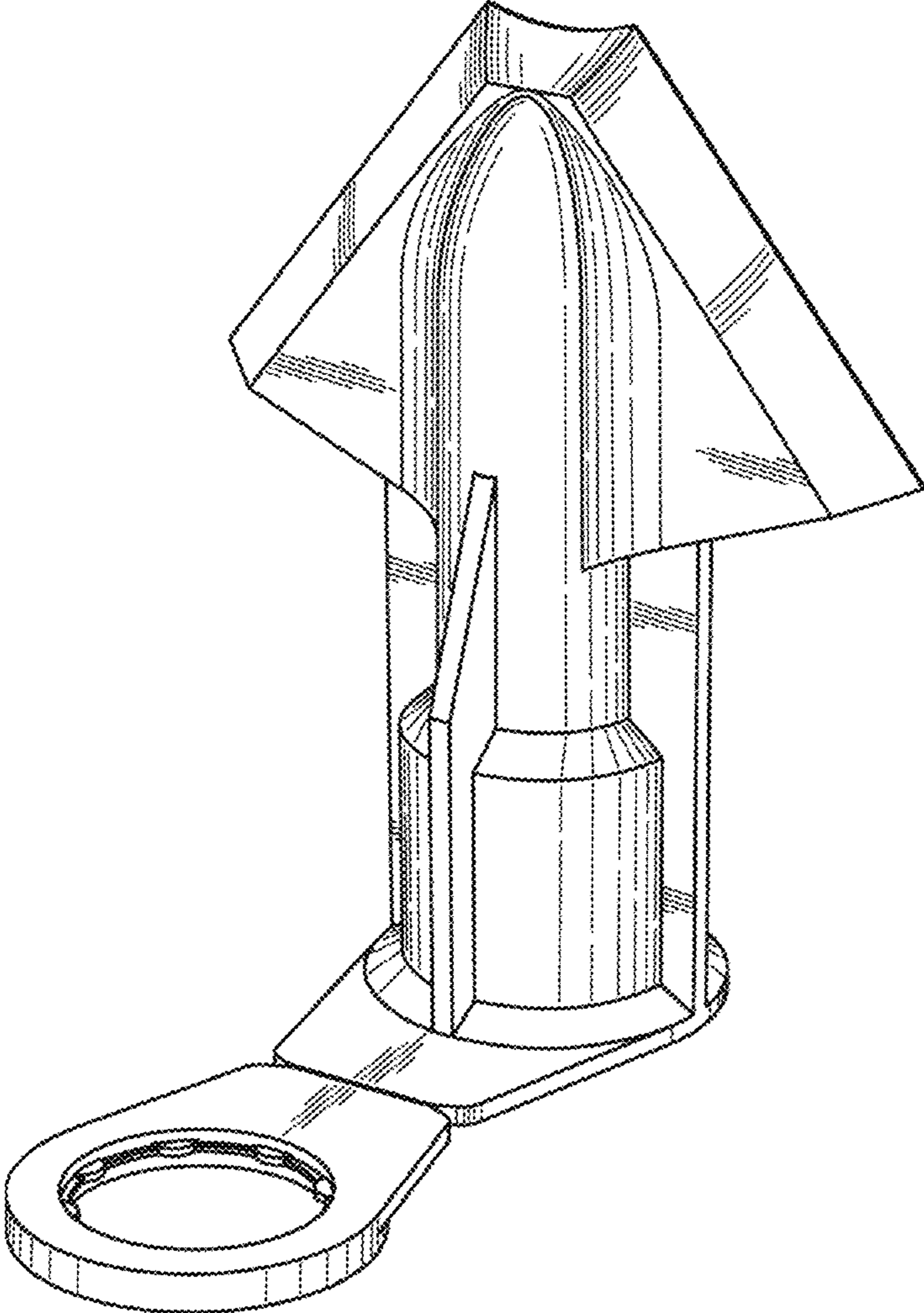


Fig. 2

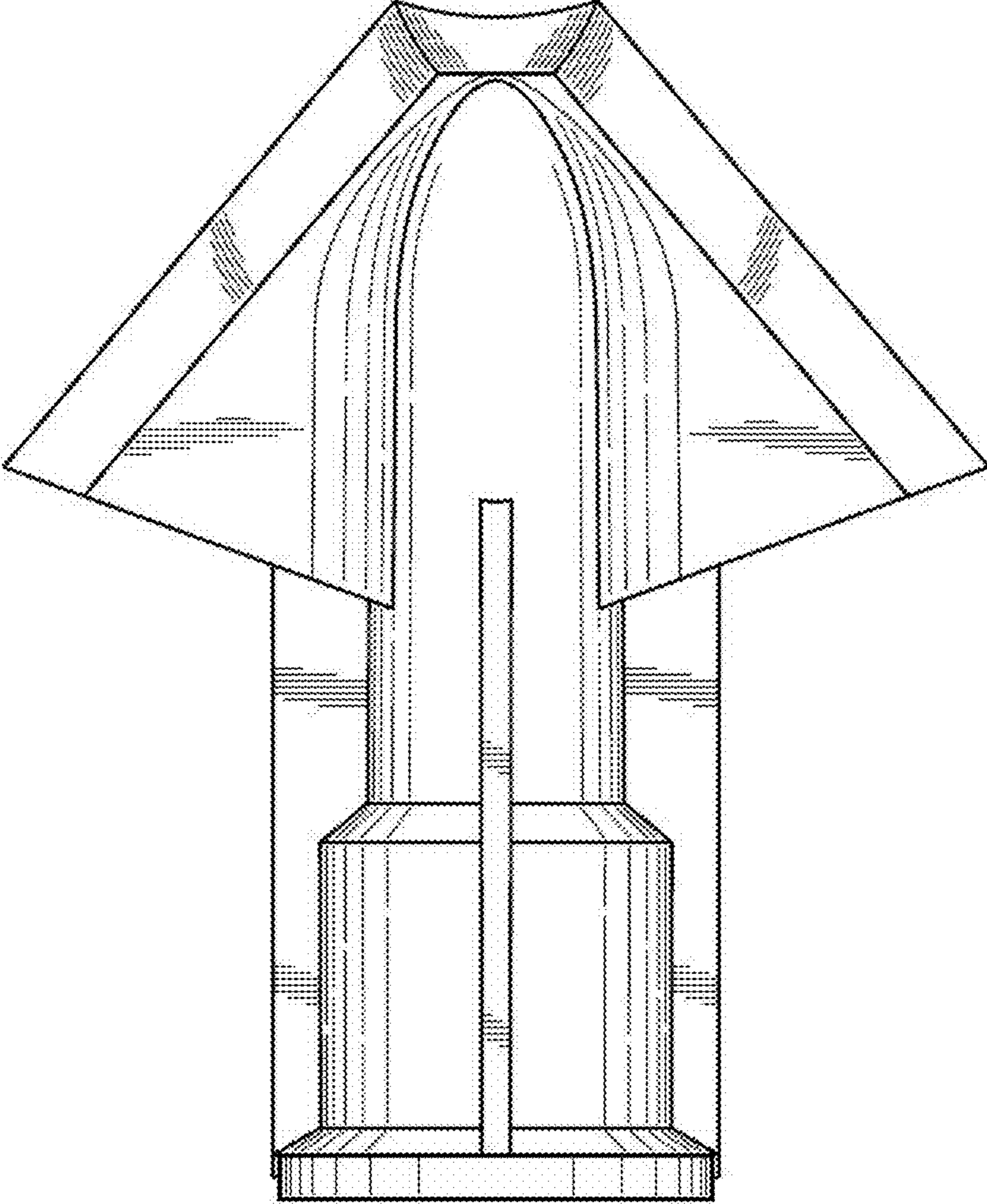


Fig. 3

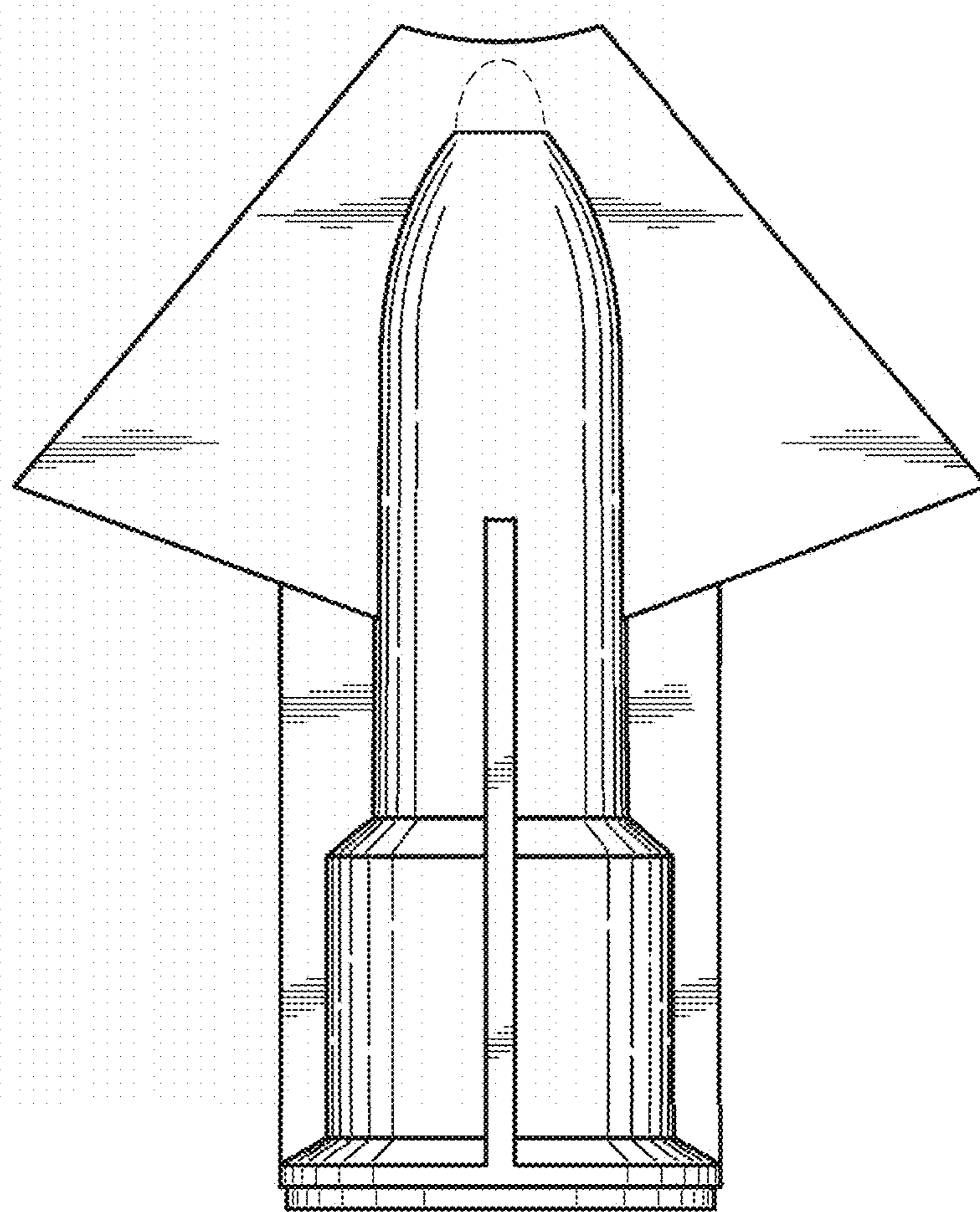


Fig. 4

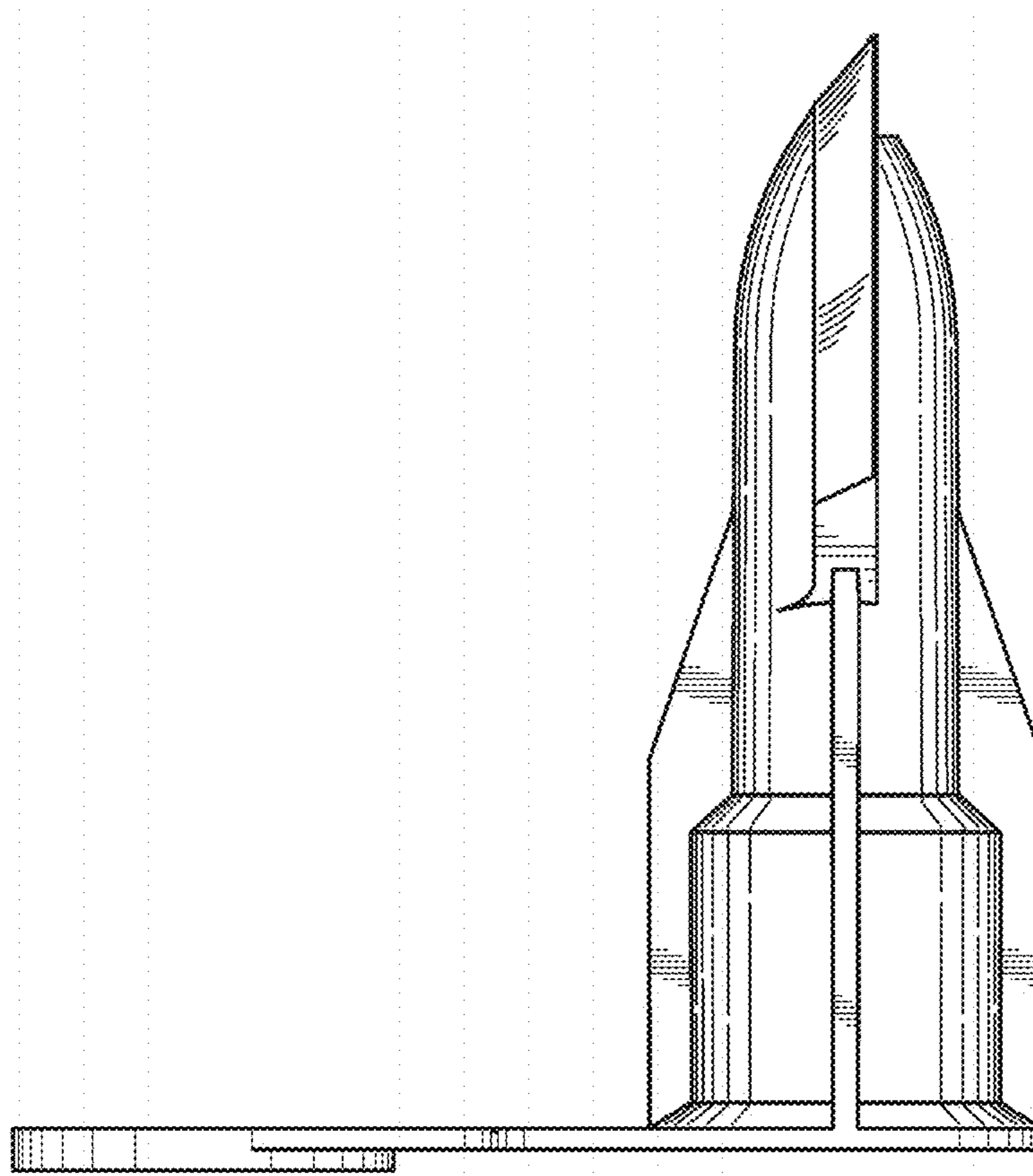


Fig. 5

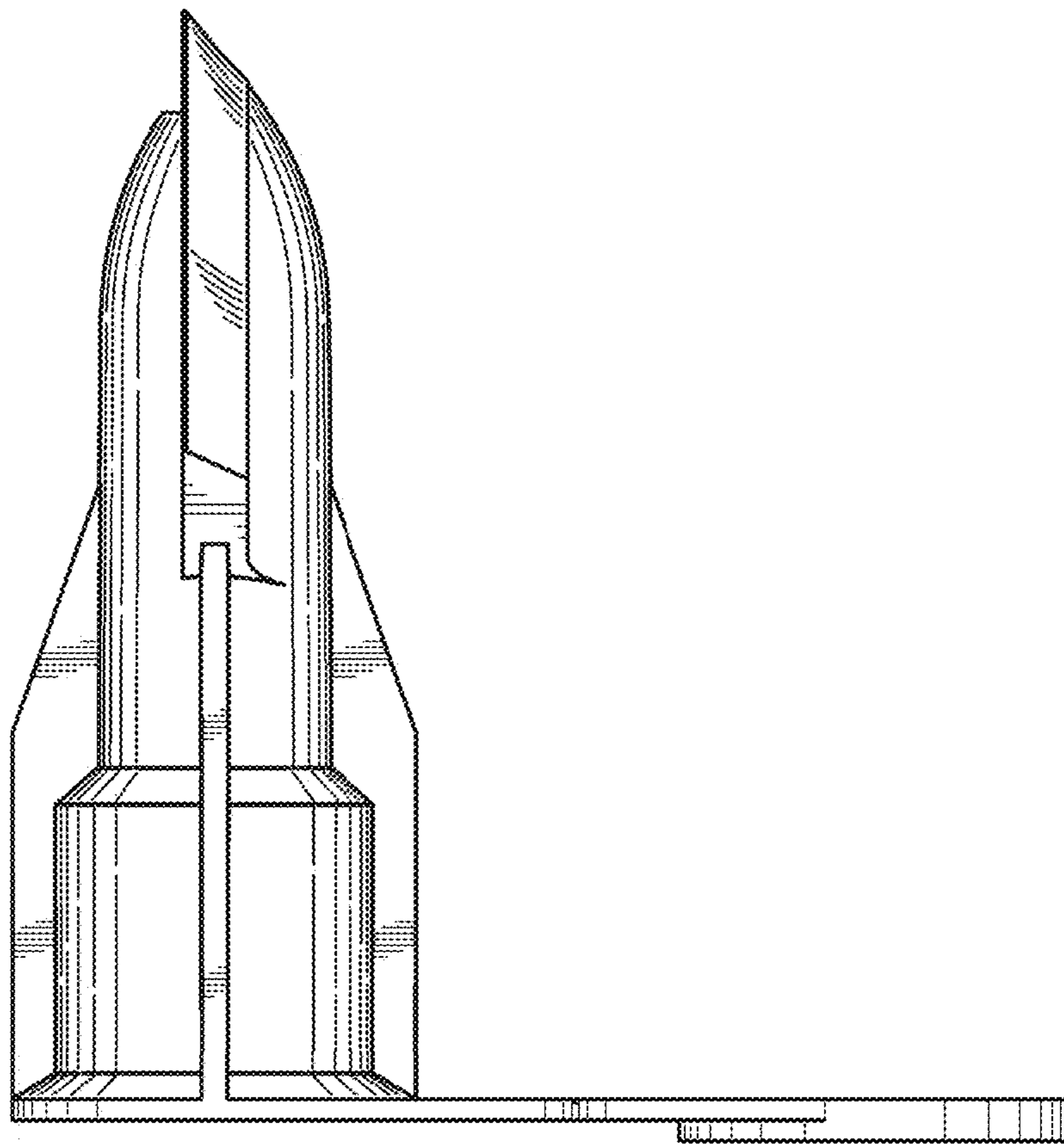


Fig. 6

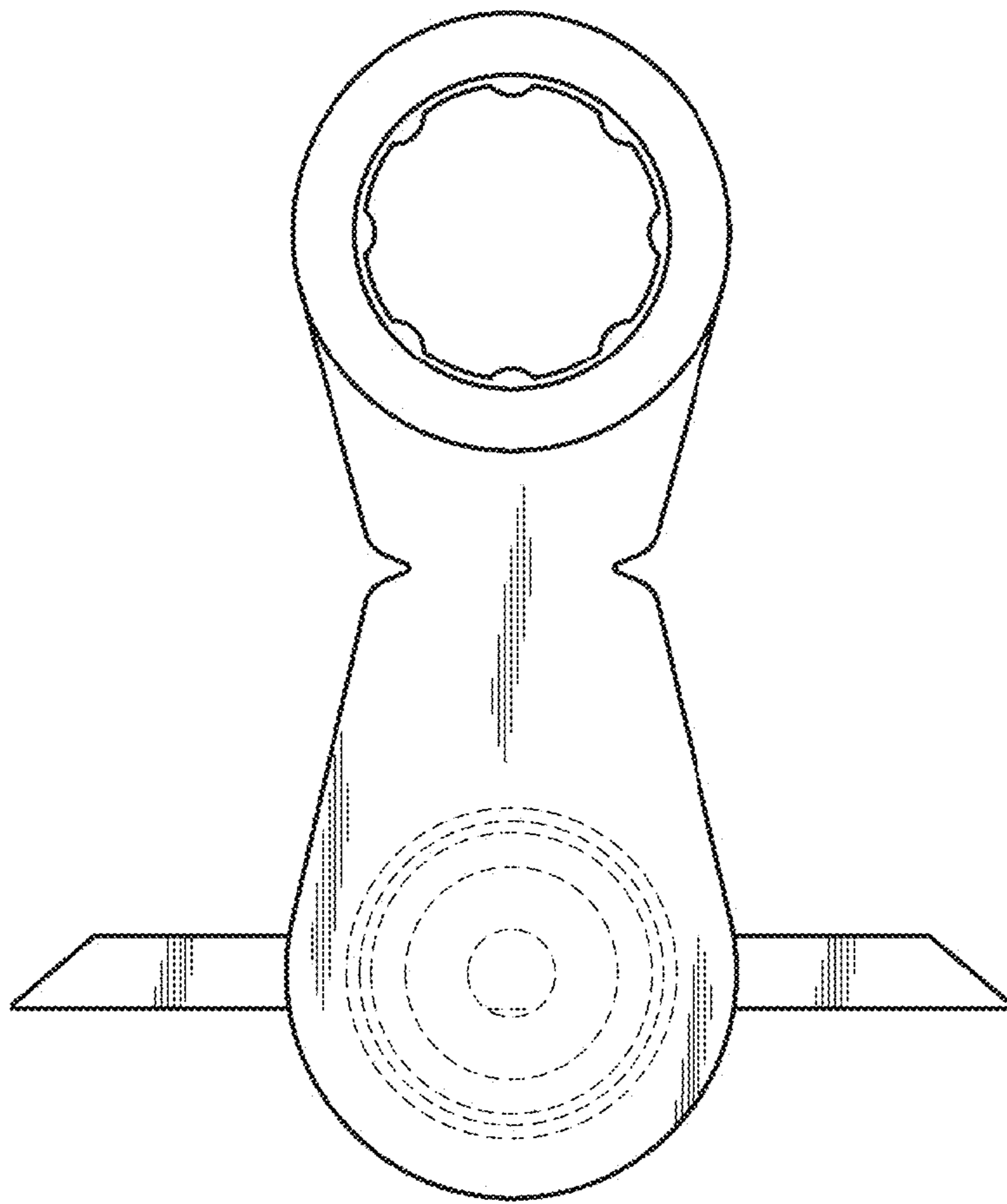


Fig. 7

