



US00D949014S

(12) **United States Design Patent**
Fengke

(10) **Patent No.:** **US D949,014 S**

(45) **Date of Patent:** **** Apr. 19, 2022**

(54) **LID**

(71) Applicant: **Scribe OpCo, Inc.**, Clearwater, FL
(US)

(72) Inventor: **Tian Fengke**, Zhejiang (CN)

(73) Assignee: **SCRIBE OPCO, INC.**, Clearwater, FL
(US)

(**) Term: **15 Years**

(21) Appl. No.: **29/725,411**

(22) Filed: **Feb. 25, 2020**

(51) **LOC (13) Cl.** **09-07**

(52) **U.S. Cl.**
USPC **D9/440**; D9/439

(58) **Field of Classification Search**
USPC D7/392.1, 396.2; D9/453, 434-436, 499,
D9/440, 447, 454, 439, 449, 452
CPC .. B65D 39/00; B65D 39/0005; B65D 47/061;
B65D 47/06; B65D 2547/066; B65D
2251/205
See application file for complete search history.

(56) **References Cited**

U.S. PATENT DOCUMENTS

D474,068 S *	5/2003	Fujii	D7/392.1
D550,078 S *	9/2007	Henry	D9/435
D631,284 S *	1/2011	Fuller	D7/392.1
D639,657 S *	6/2011	Hoyt	D9/439
8,967,414 B2	3/2015	Lane		
D756,705 S *	5/2016	Abrams	D7/512
D758,853 S *	6/2016	Seeuwen	D9/439
D805,164 S *	12/2017	Norman	D23/259
D807,114 S *	1/2018	Niles	D7/392.1
D826,046 S *	8/2018	Niles	D9/439
D845,064 S *	4/2019	Mulhauser	D7/392.1
D853,183 S *	7/2019	Adams, Jr.	D7/392.1
D860,716 S *	9/2019	Abante	D7/392.1

D875,524 S *	2/2020	Holmes	D9/439
D883,026 S *	5/2020	Fleischhut	D7/392.1
D908,487 S *	1/2021	Xia	D9/439

(Continued)

OTHER PUBLICATIONS

Amazon. SINCHI vacuum wine preserver keeps wine fresh up to 14 days at room temperature, 6 wine stoppers for wine bottles +1 electric vacuum pump wine saver set, reusable silicone wine vacuum stopper. Jan. 6, 2021. https://www.amazon.com/dp/B08ND1V4FR?ref=vse_pfo_vwdp (Year: 2021).*

Primary Examiner — Darcey E Gottschalk

(74) *Attorney, Agent, or Firm* — Shumaker, Loop & Kendrick, LLP; James D. Miller

(57) **CLAIM**

The ornamental design for a lid, as shown and described.

DESCRIPTION

FIG. 1 is a top perspective view of an embodiment of a lid showing my new design and showing the lid in a closed position;

FIG. 2 is a bottom perspective view thereof;

FIG. 3 is a top plan view thereof;

FIG. 4 is a bottom plan view thereof;

FIG. 5 is a left side elevational view thereof;

FIG. 6 is a rear elevational view thereof;

FIG. 7 is a right side elevational view thereof;

FIG. 8 is a front elevational view thereof;

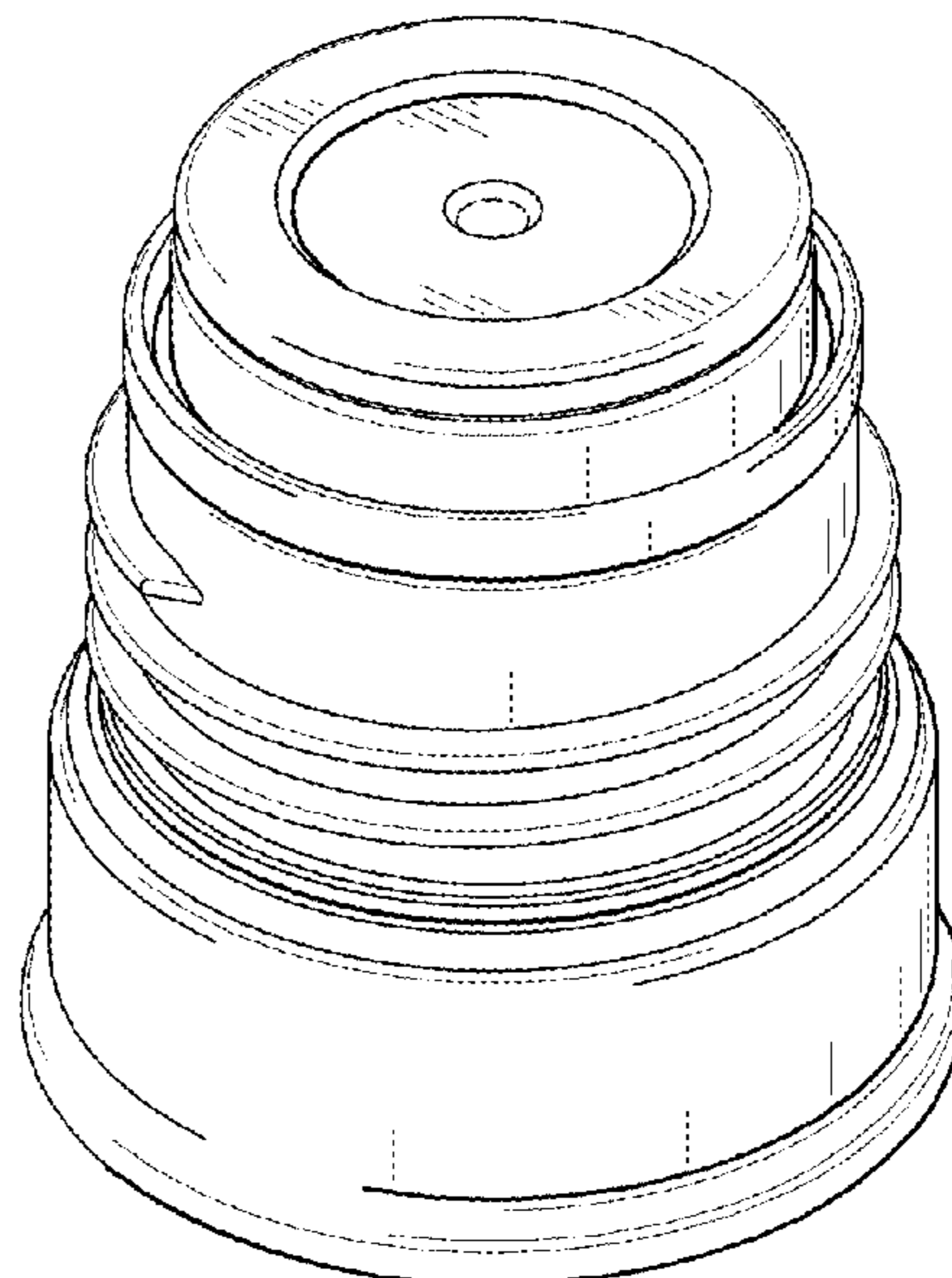
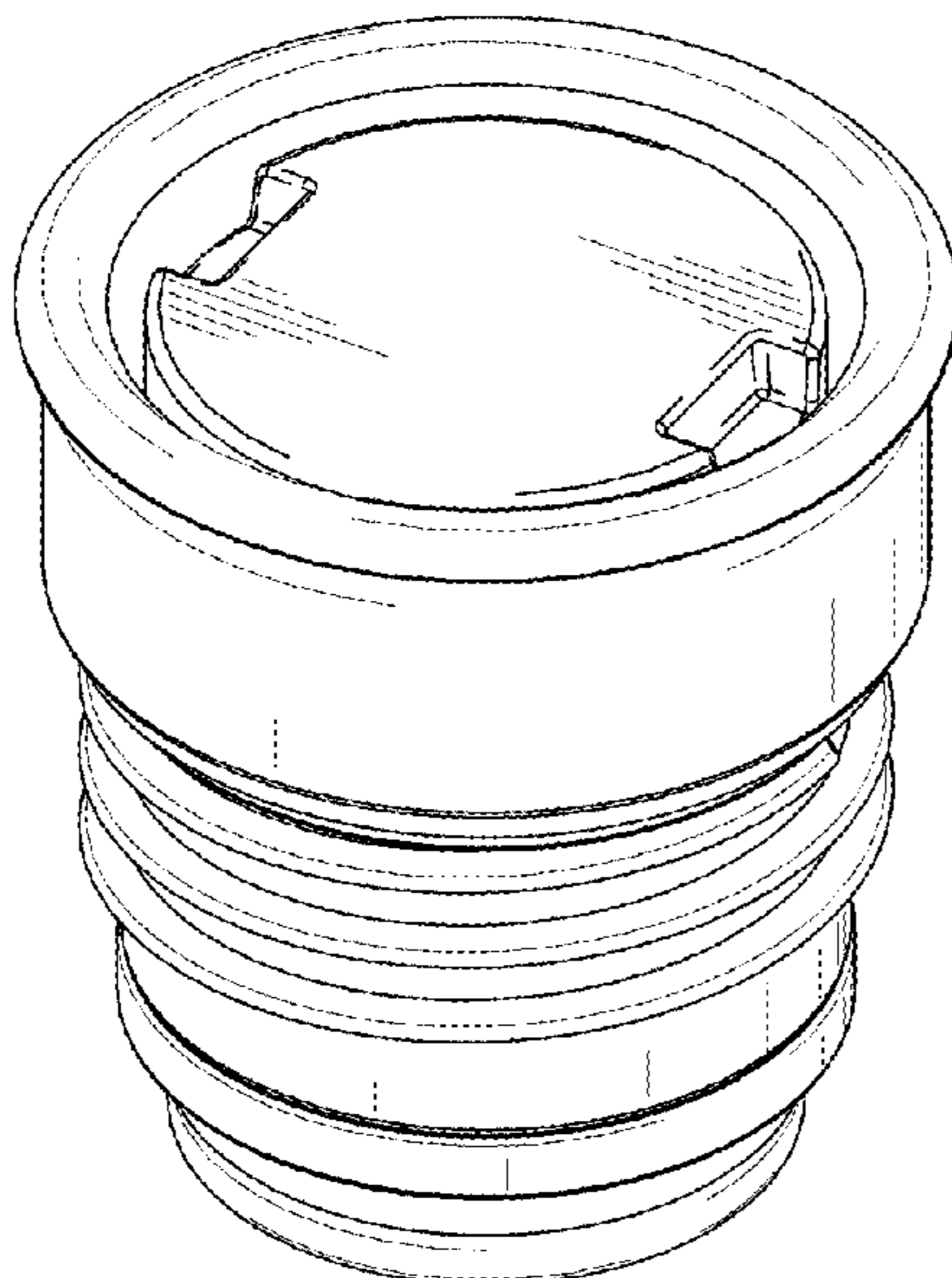
FIG. 9 is a top perspective view of the lid in an open position;

FIG. 10 is a bottom perspective view thereof; and,

FIG. 11 is a top perspective view of the lid of FIG. 1 disposed on a representative container.

The broken lines shown in FIGS. 2, 4, and 10 the drawings depict portions of the lid that form no part of the claim, and the broken lines in FIG. 11 depict a container that forms no part of the claim.

1 Claim, 4 Drawing Sheets



(56)

References Cited

U.S. PATENT DOCUMENTS

2010/0237078 A1 9/2010 Lentz et al.
2016/0296050 A1 10/2016 Lane
2021/0086959 A1* 3/2021 Fengke B65D 47/061

* cited by examiner

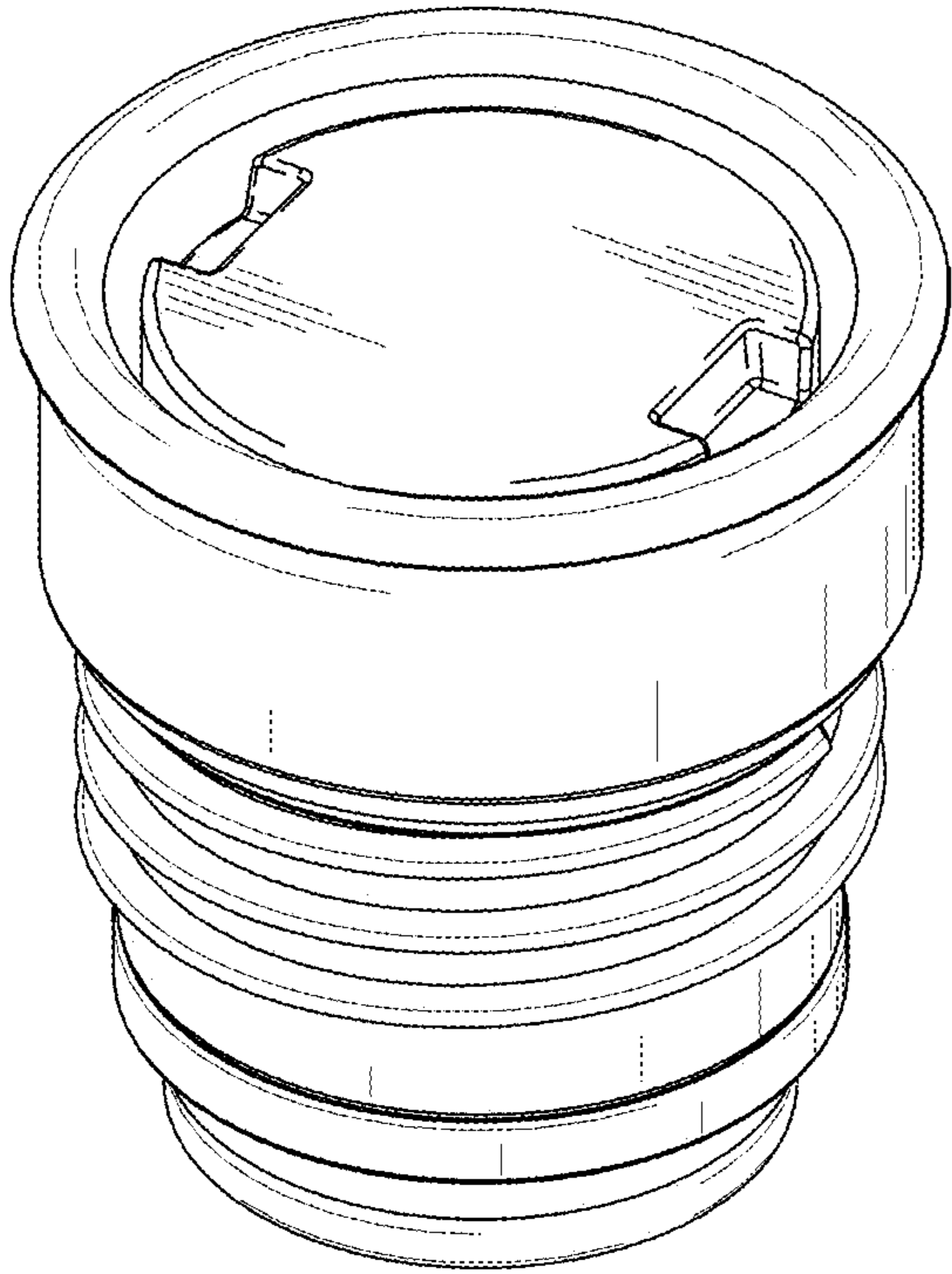


FIG. 1

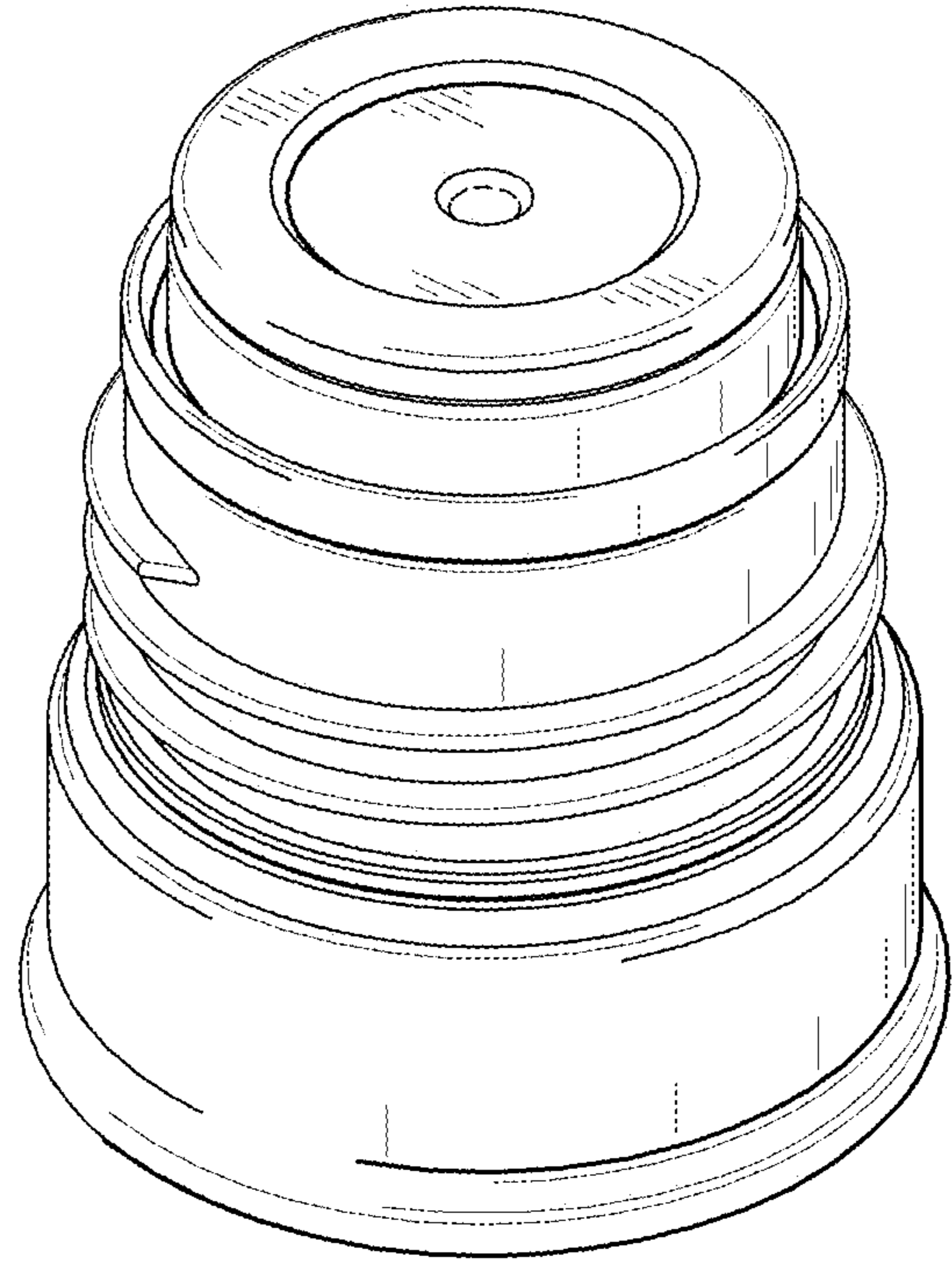


FIG. 2

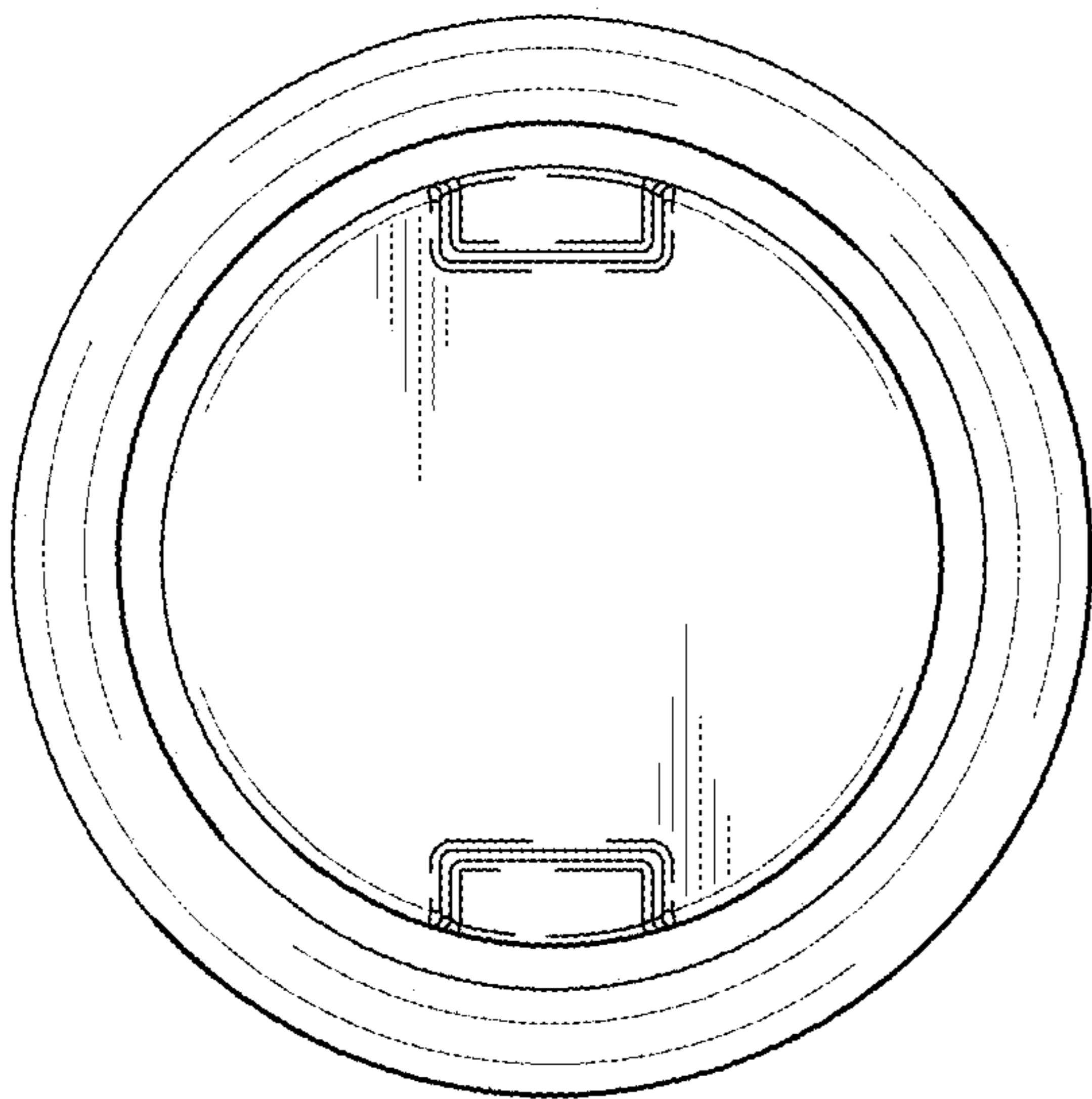


FIG. 3

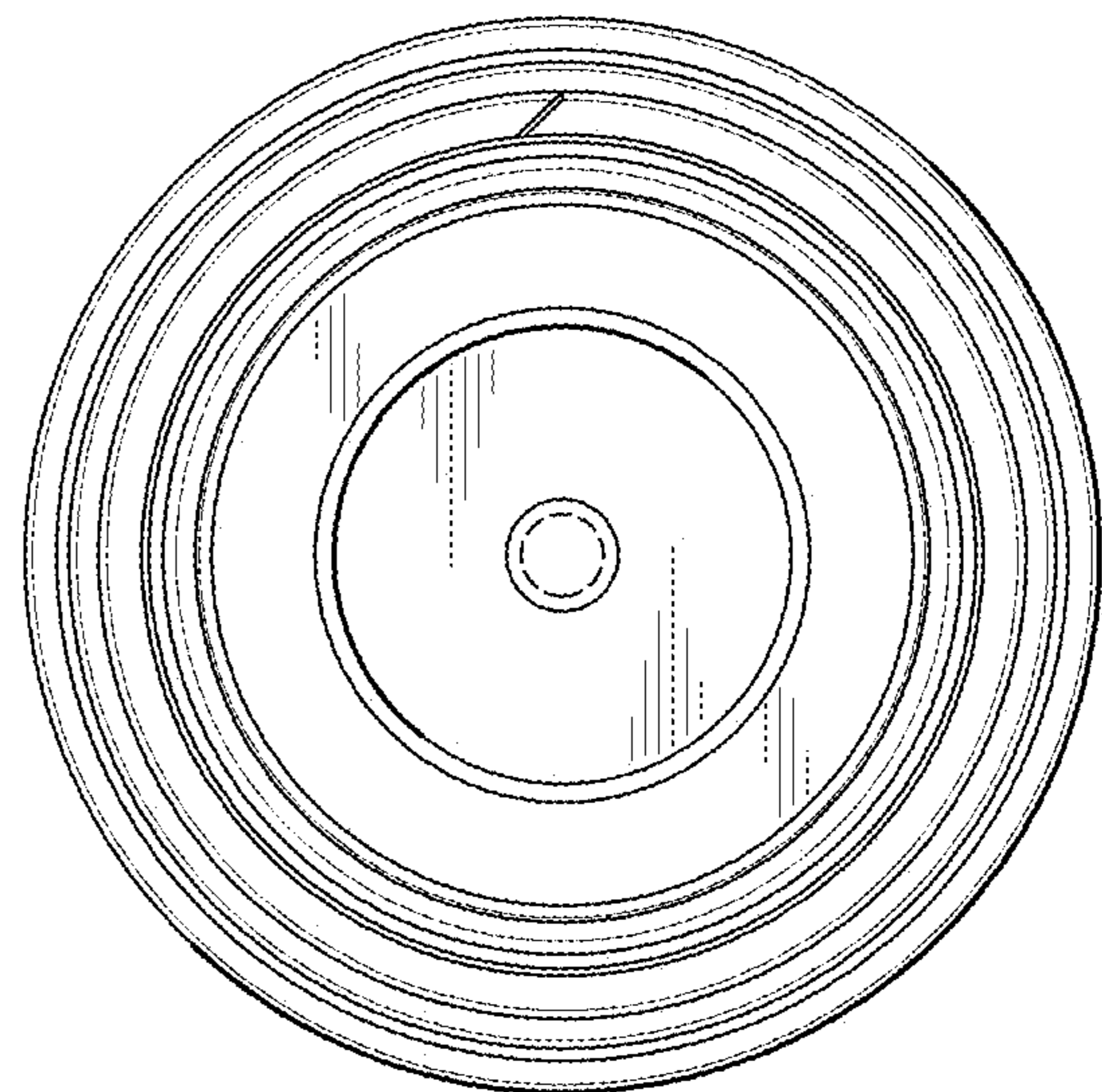


FIG. 4

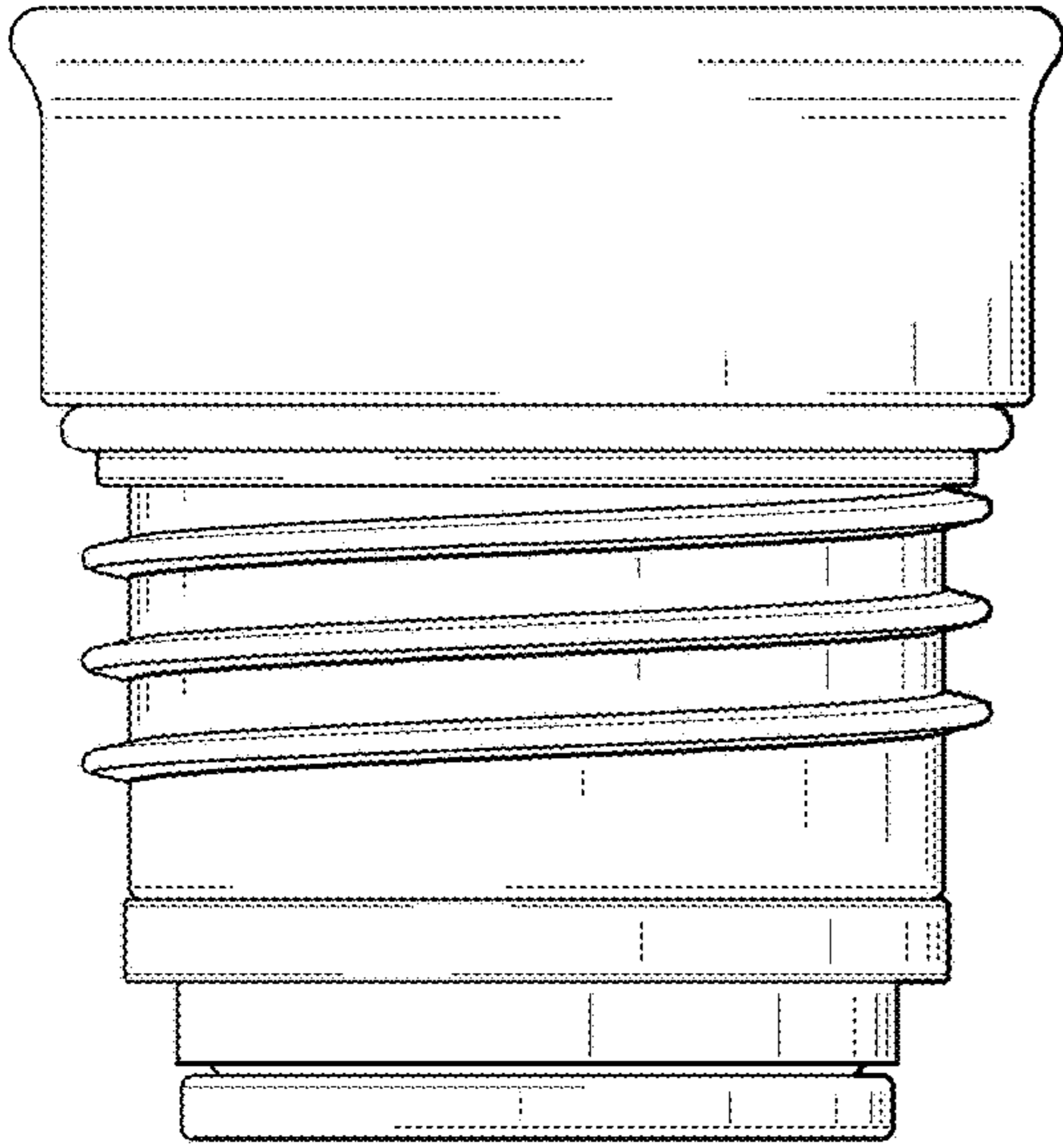


FIG. 5

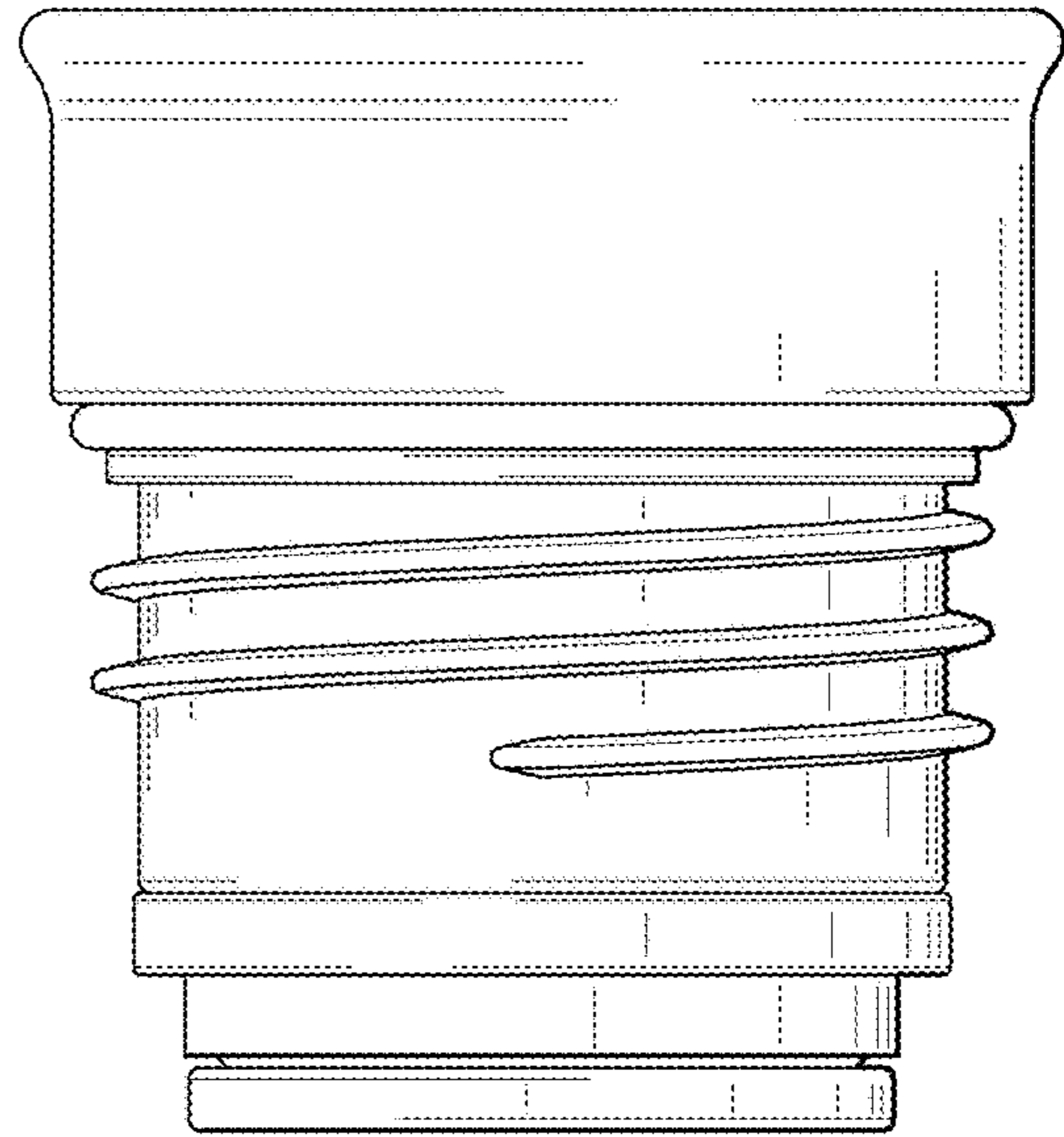


FIG. 6

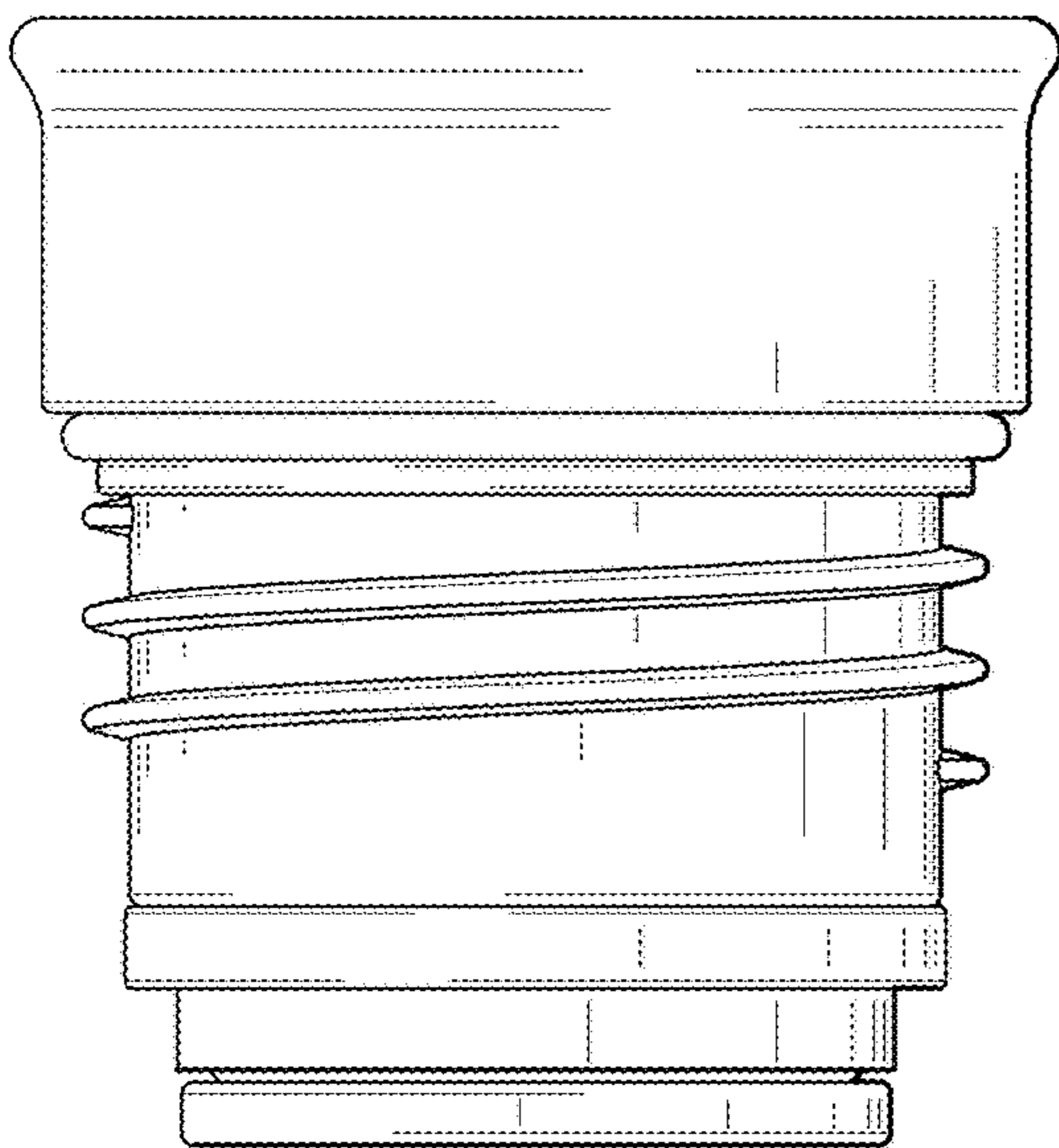


FIG. 7

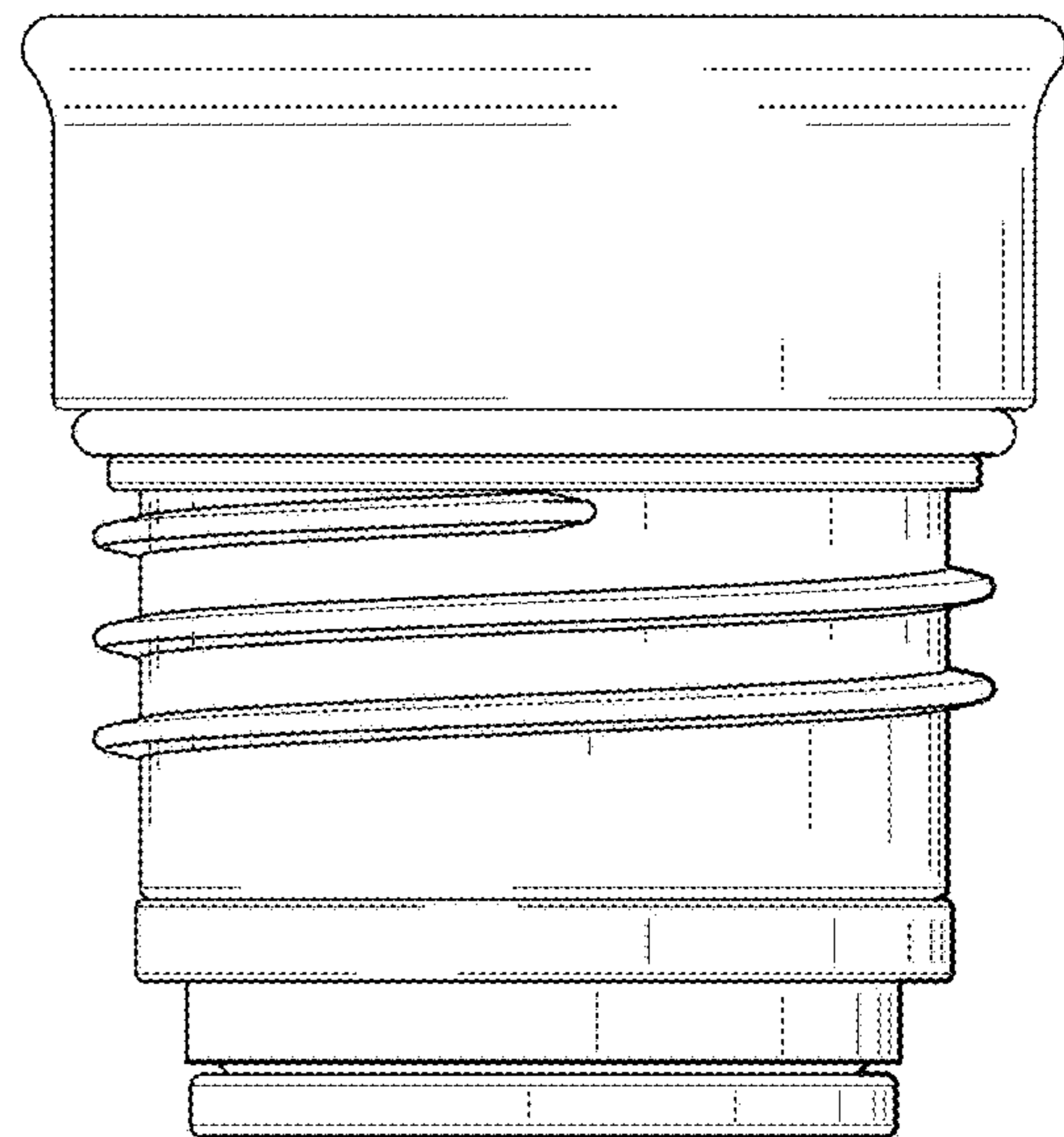


FIG. 8

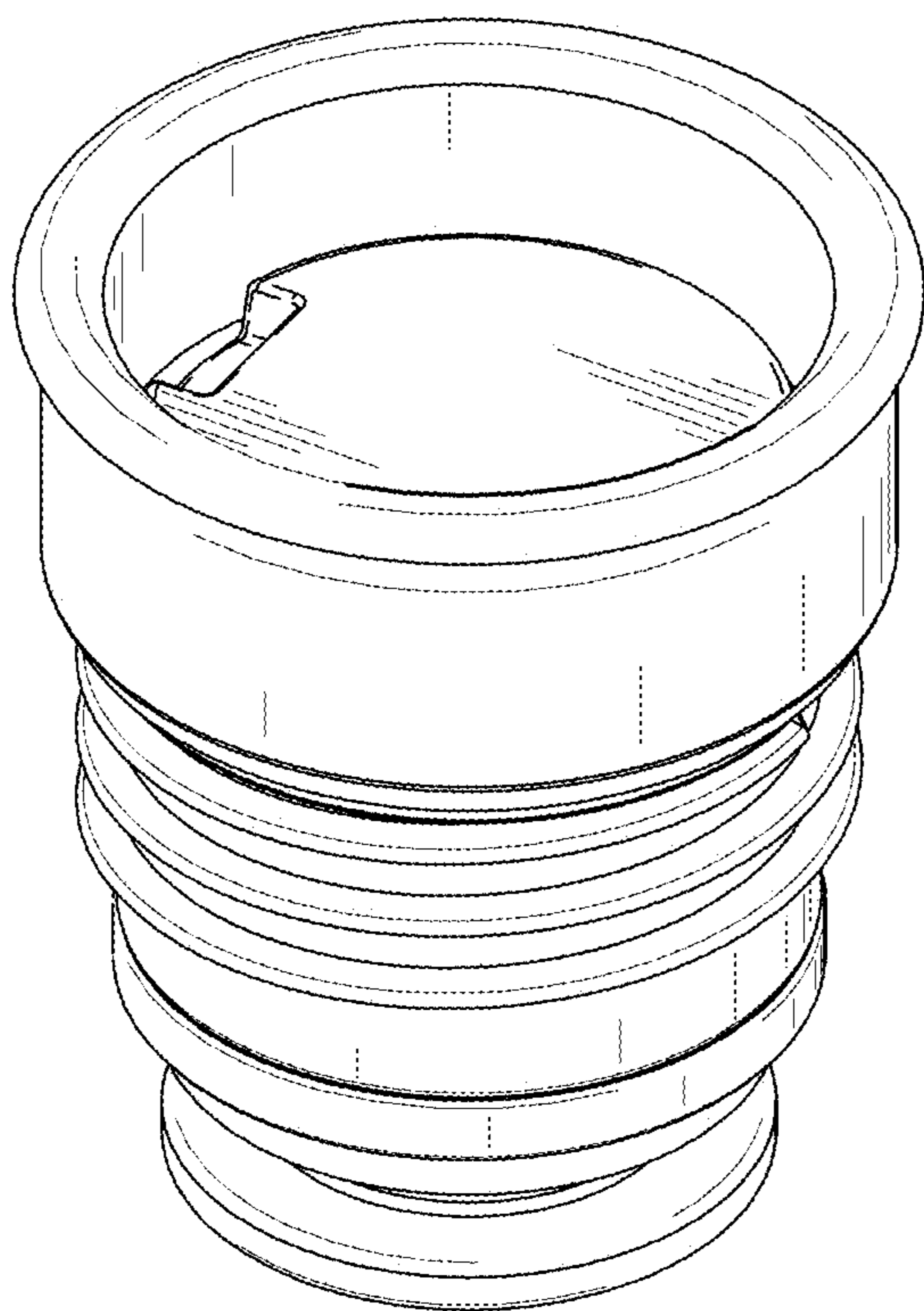


FIG. 9

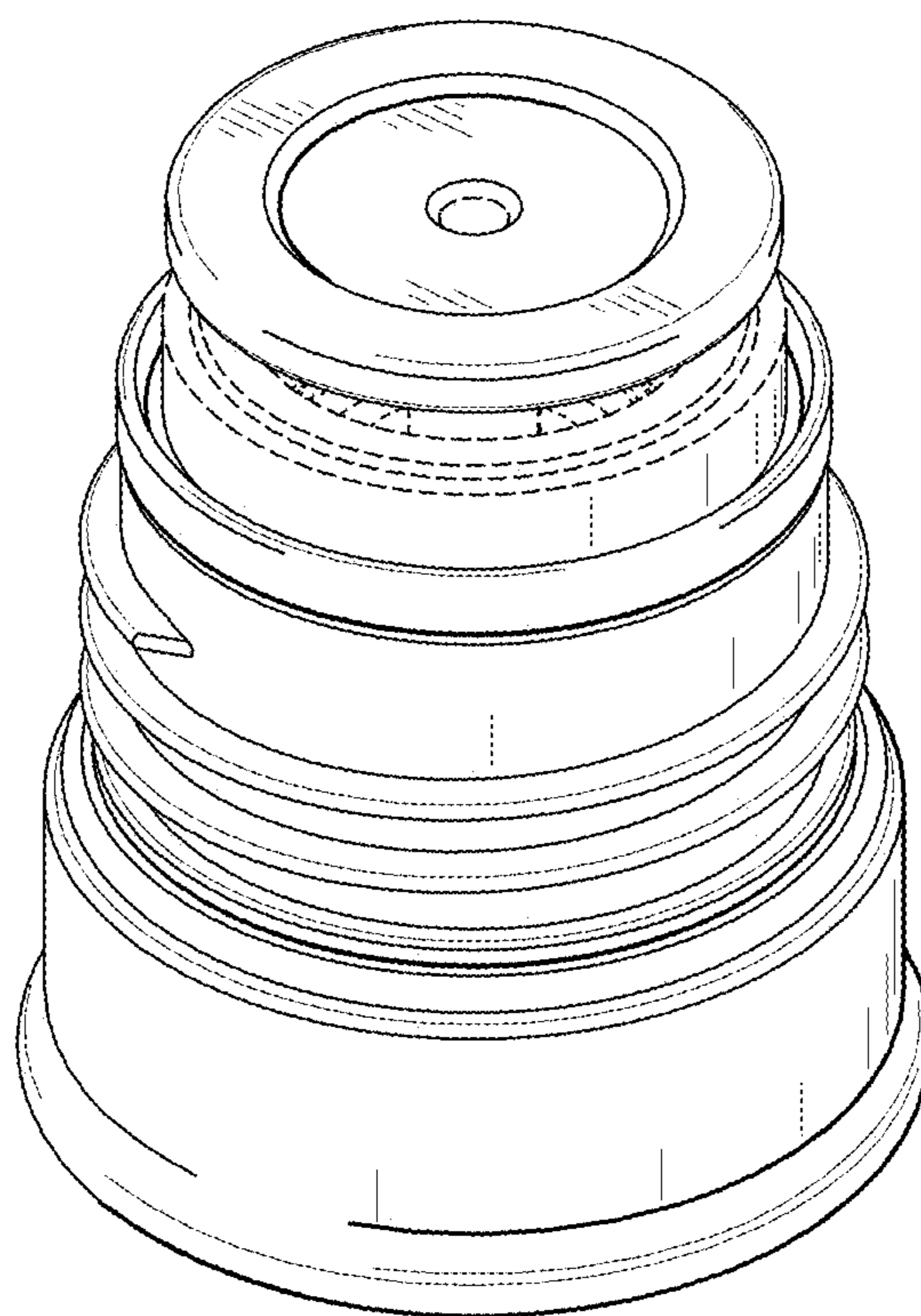


FIG. 10

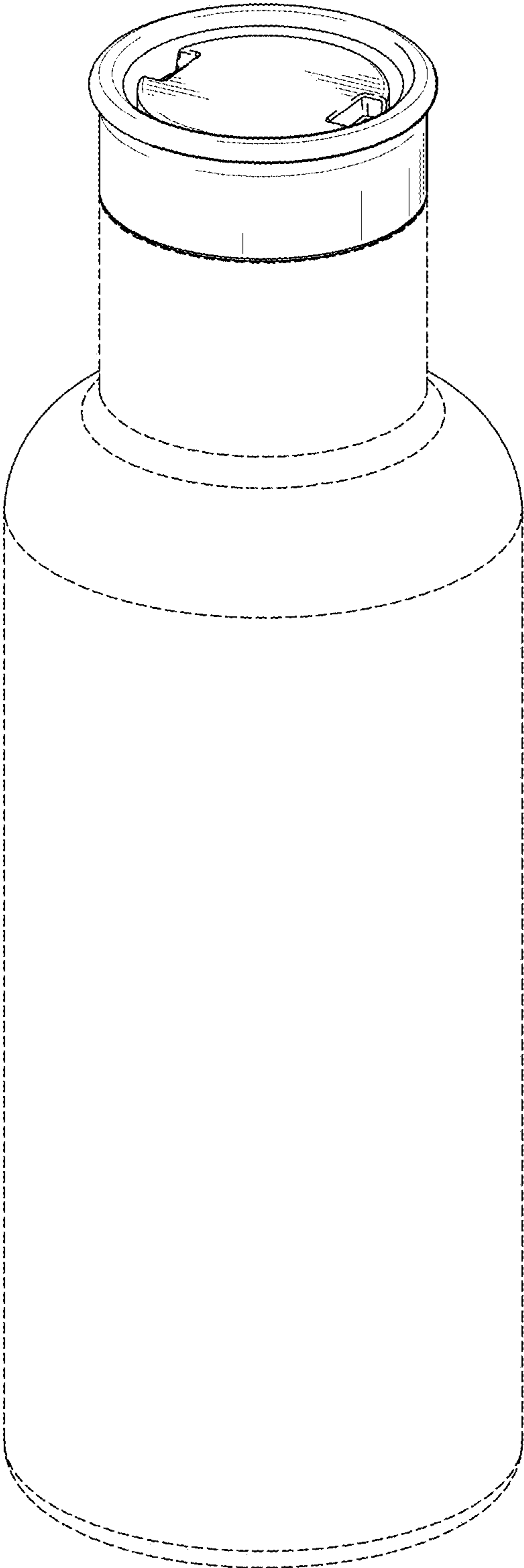


FIG. 11