



US00D949013S

(12) **United States Design Patent**  
**Saltz**

(10) **Patent No.:** **US D949,013 S**  
(45) **Date of Patent:** **\*\* Apr. 19, 2022**

(54) **INDICATOR FOR A CONTAINER CLOSURE**  
(71) Applicant: **TricorBraun Inc.**, St. Louis, MO (US)  
(72) Inventor: **Craig Saltz**, Toronto (CA)  
(73) Assignee: **TricorBraun Inc.**, St. Louis, MO (US)  
(\*\*) Term: **15 Years**  
(21) Appl. No.: **29/689,534**  
(22) Filed: **Apr. 30, 2019**  
(51) **LOC (13) Cl.** ..... **09-07**  
(52) **U.S. Cl.**  
USPC ..... **D9/434**

(58) **Field of Classification Search**  
USPC ..... D7/550.1, 554.2, 387, 391, 392, 392.1,  
D7/396.1, 396.2, 397, 398, 558, 624.1,  
D7/667, 388, 403, 407, 408, 409;  
D9/723, 724, 434, 435, 436, 438, 443,  
D9/445, 447, 448, 449, 450, 452, 453,  
D9/454; D23/206, 209, 259, 260, 261,  
D23/397; D10/122, 123, 126, 127  
CPC ..... B65D 43/0208; B65D 2231/022; B65D  
2543/00027; B65D 2543/00092; B65D  
2543/000296; B65D 2543/00342; B65D  
2543/00509; B65D 2543/00518; B65D  
2543/00537; B65D 2543/00731; B65D  
2543/00814; B65D 41/34; B65D 41/3428;  
B65D 51/245; B65D 51/295; B65D 1/20;  
B65D 2251/0018; B65D 2251/0071;  
B65D 2251/02; B29C 51/22; B29C  
51/268; B29C 51/44; B29C 45/0001;  
B29C 45/0081; A47G 19/2272  
See application file for complete search history.

(56) **References Cited**  
U.S. PATENT DOCUMENTS

D263,805 S \* 4/1982 Seager ..... D9/450  
4,653,672 A \* 3/1987 Tuerk ..... B65D 47/263  
222/153.14

5,197,616 A \* 3/1993 Buono ..... B65D 50/041  
215/206  
5,915,576 A \* 6/1999 Robinson ..... B65D 50/046  
215/216  
D476,563 S \* 7/2003 Brozell ..... D9/435  
D481,948 S \* 11/2003 Brozell ..... D9/443  
D586,213 S \* 2/2009 Wells ..... D9/453  
D607,326 S \* 1/2010 Branson ..... D9/453  
D611,346 S \* 3/2010 Camomile ..... D9/504  
D633,808 S \* 3/2011 Titherington ..... B65D 50/041  
D9/667  
8,079,483 B2 \* 12/2011 Brozell ..... B65D 41/0471  
215/216  
8,123,058 B2 \* 2/2012 Brozell ..... B65D 41/0471  
215/216  
D698,009 S \* 1/2014 Smith ..... D23/233  
D781,705 S \* 3/2017 Hewitt ..... D9/436

(Continued)

*Primary Examiner* — Catherine S Posthauer  
(74) *Attorney, Agent, or Firm* — Husch Blackwell LLP

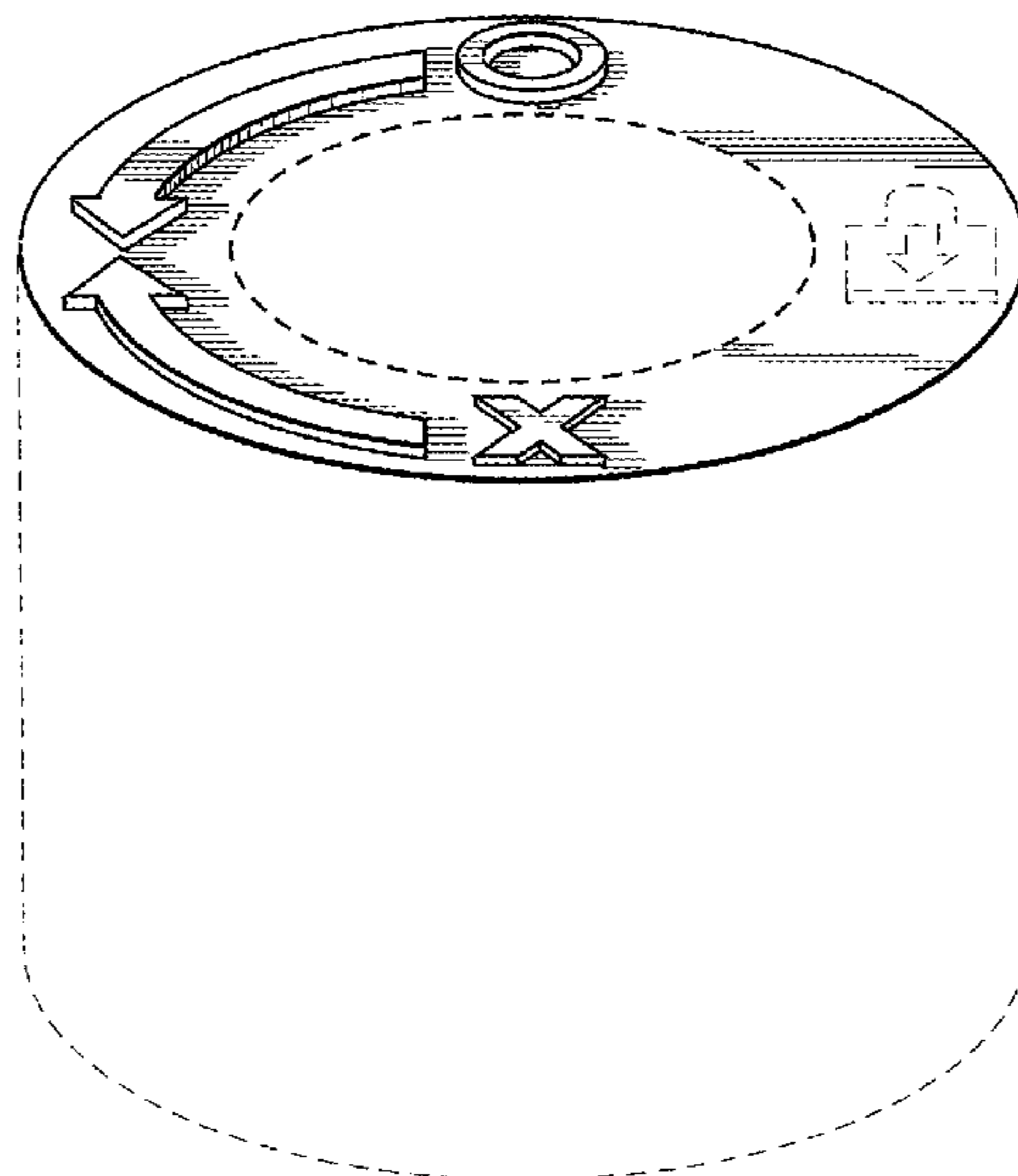
(57) **CLAIM**

I claim the ornamental design for an indicator for a container closure, as shown and described.

**DESCRIPTION**

FIG. 1 is a perspective view of an indicator for a container closure showing my new design;  
FIG. 2 is a top view thereof;  
FIG. 3 is a first side view thereof;  
FIG. 4 is a second side view thereof;  
FIG. 5 is a third side view thereof; and,  
FIG. 6 is a fourth side view thereof.  
The broken lines are shown for the purpose of illustrating environmental subject matter as well as parts of the article. None of the broken lines form no part of the claimed design.

**1 Claim, 3 Drawing Sheets**



(56)

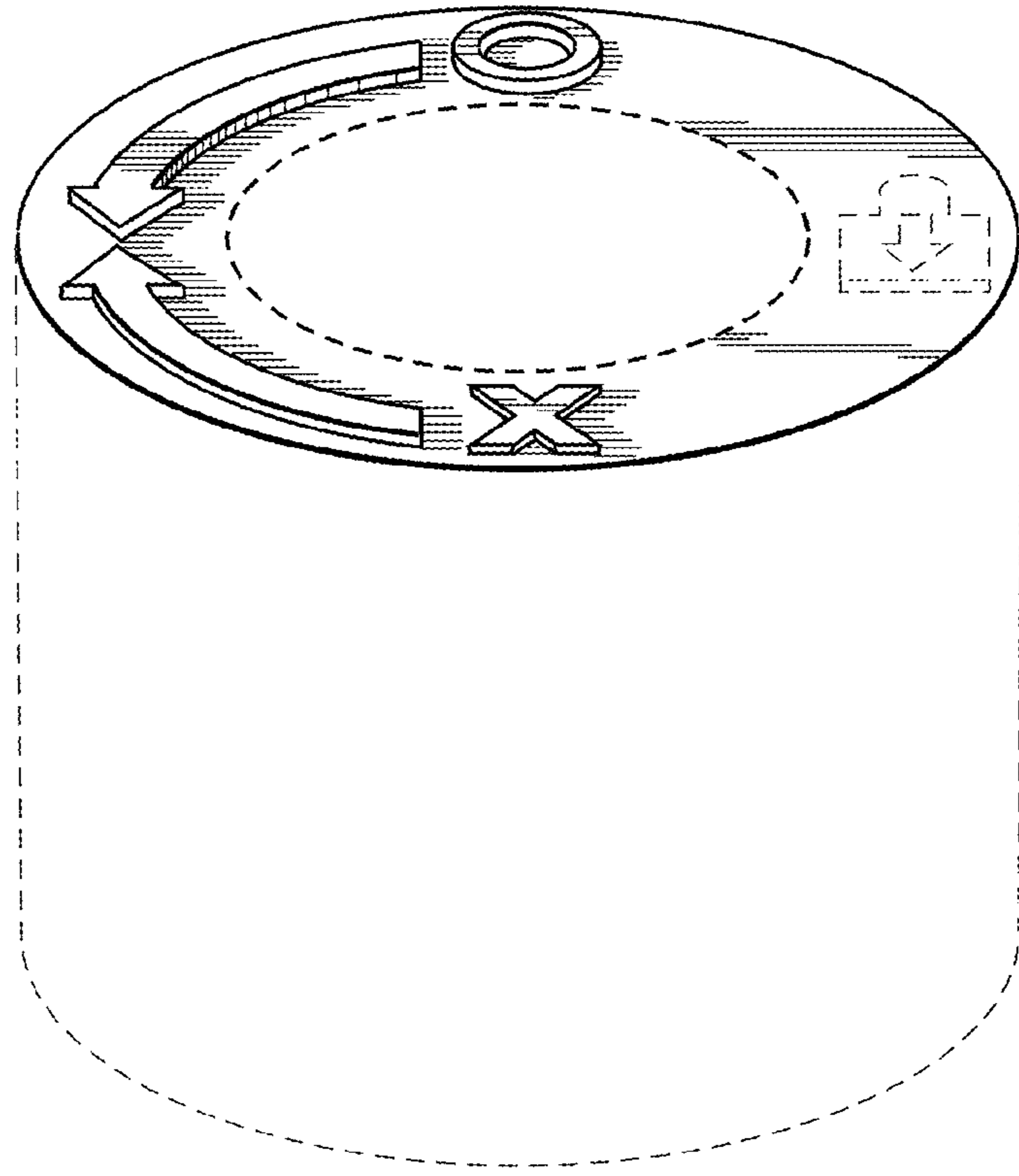
**References Cited**

U.S. PATENT DOCUMENTS

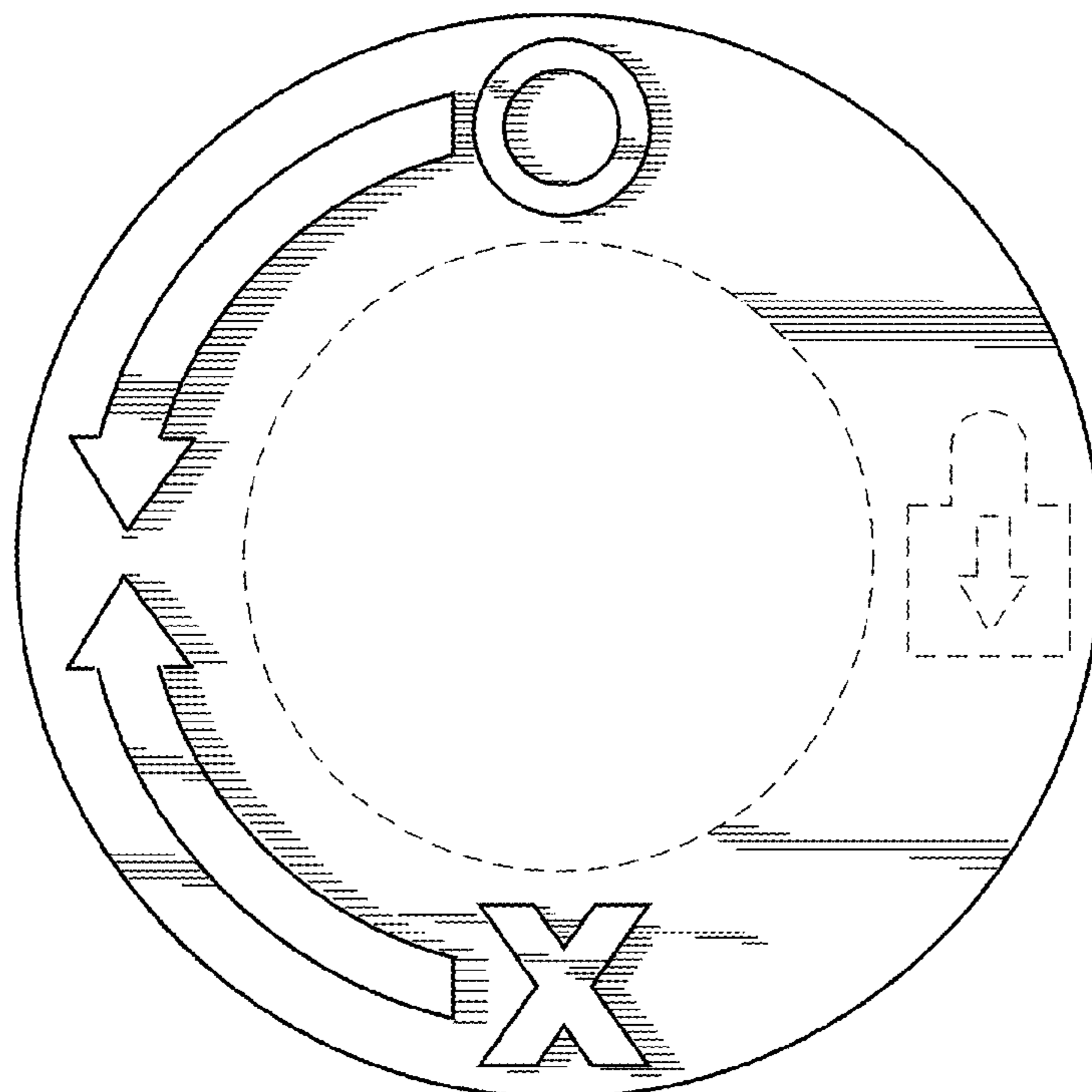
D856,138 S \* 8/2019 Biesecker, II ..... D9/443  
2021/0206546 A1\* 7/2021 Concari ..... B65D 51/245

\* cited by examiner

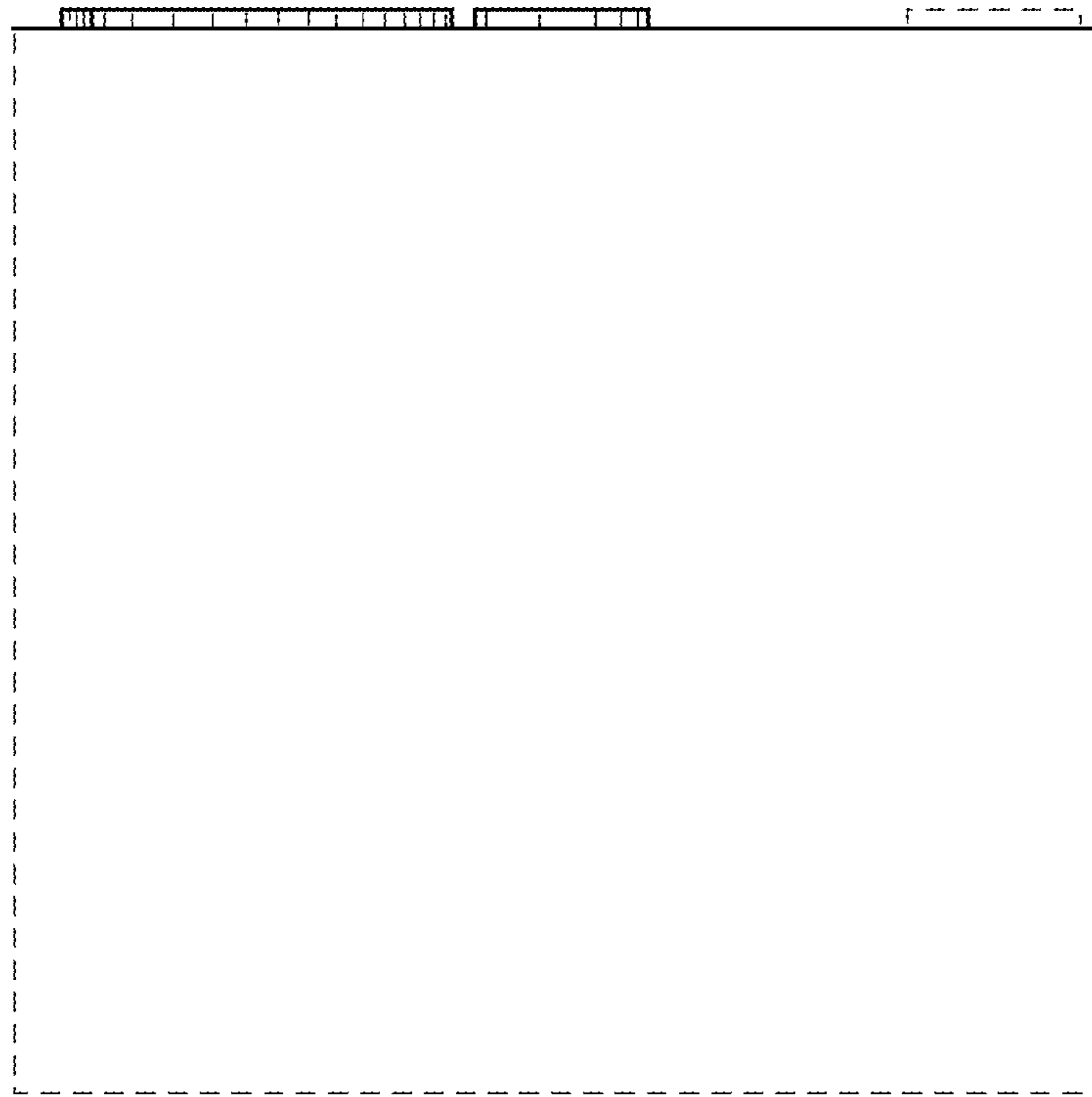
**FIG. 1**



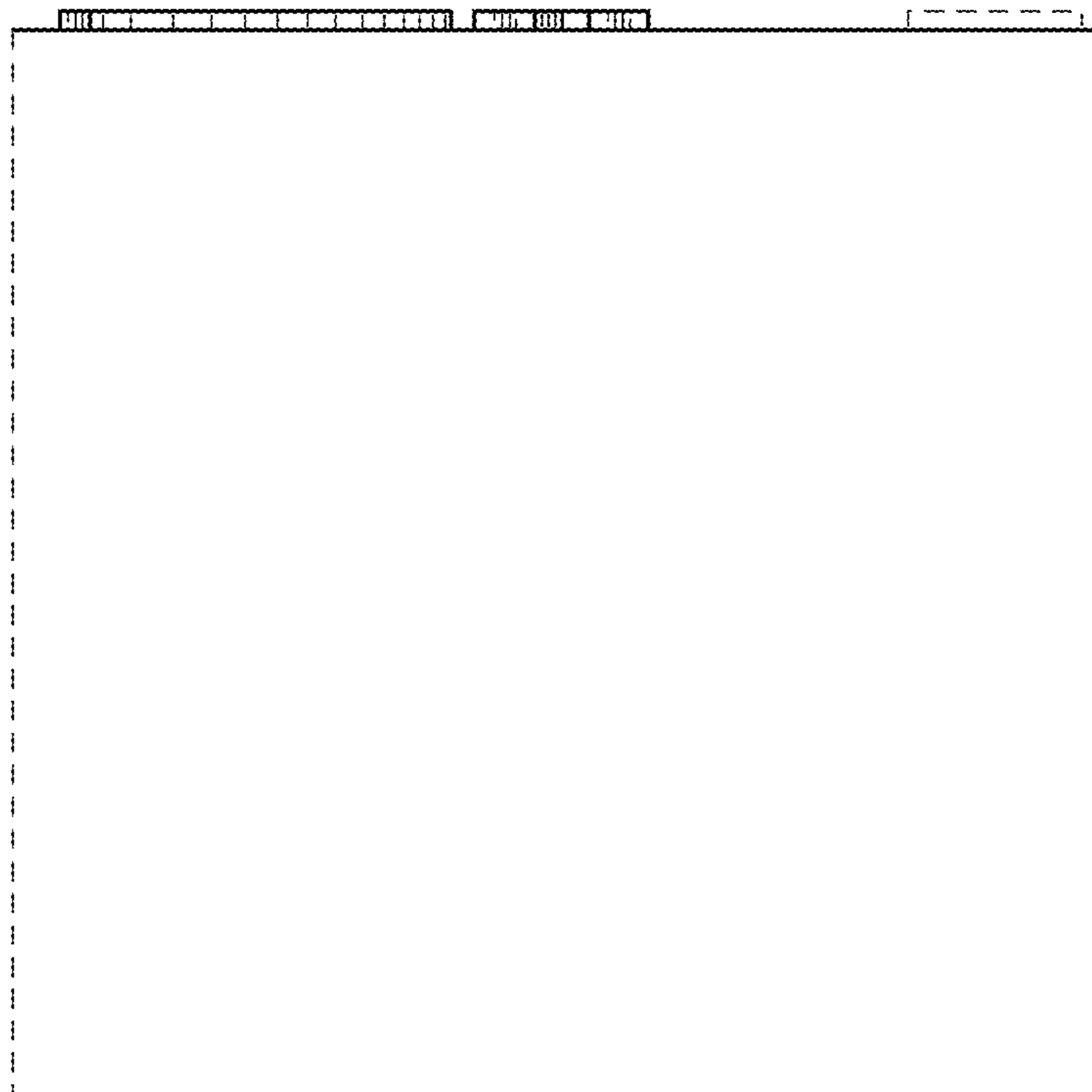
**FIG. 2**



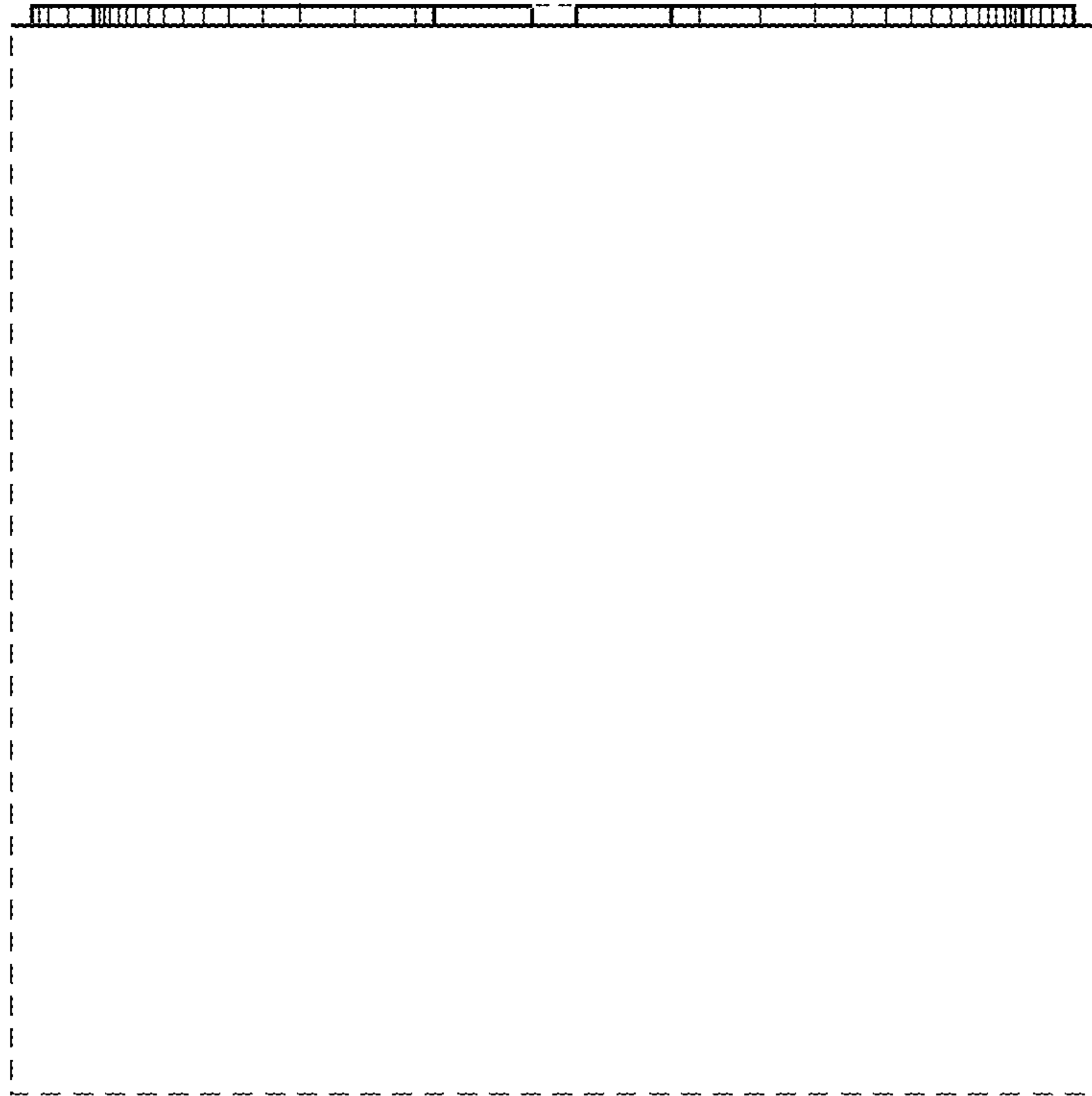
**FIG. 3**



**FIG. 4**



**FIG. 5**



**FIG. 6**

