



US00D949009S

(12) **United States Design Patent** (10) **Patent No.:** **US D949,009 S**  
**Smith et al.** (45) **Date of Patent:** **\*\* Apr. 19, 2022**

(54) **CONTAINER HAVING A TAMPER EVIDENCE TAB**

(71) Applicant: **Pinnpack Packaging, LLC**, Oxnard, CA (US)

(72) Inventors: **Shannon Smith**, Oxnard, CA (US);  
**Dean Brown**, Oxnard, CA (US)

(73) Assignee: **PINPACK PACKAGING, LLC**, Oxnard, CA (US)

(\*\*) Term: **15 Years**

(21) Appl. No.: **29/739,664**

(22) Filed: **Jun. 29, 2020**

(51) **LOC (13) Cl.** ..... **09-03**

(52) **U.S. Cl.**  
 USPC ..... **D9/425**

(58) **Field of Classification Search**  
 USPC ..... D9/414, 415, 418, 424, 425, 426, 430;  
 D7/601, 602, 629, 630  
 CPC ..... B65D 2543/00296; B65D 5/4204; B65D  
 1/34; B65D 25/54; B65D 2543/00731;  
 B65D 85/34; B65D 5/5021; B65D  
 81/3453; B65D 2205/00; B65D  
 2543/0024; B65D 25/10; B65D 43/021;  
 B65D 25/04; B65D 75/366; B65D  
 77/003; B65D 77/02; B65D 5/4295;  
 B65D 5/5038; B65D 1/0207; B65D  
 2543/00648; B65D 81/263; B65D 1/38;  
 B65D 2577/205; B65D 2543/00759;  
 B65D 71/70; B65D 2543/00231; B65D  
 43/02; B65D 5/2047; B65D 1/0223;  
 B65D 1/40; B65D 75/522; B65D  
 81/3216; B65D 2519/00273; B65D  
 75/322; B65D 15/22; B65D 2519/00034

See application file for complete search history.

(56) **References Cited**

U.S. PATENT DOCUMENTS

D673,847	S *	1/2013	Barbier	.....	D9/420
D686,064	S *	7/2013	Garza	.....	D9/424
8,944,270	B2 *	2/2015	Bontrager	.....	B65D 43/0237 220/270
9,624,009	B2 *	4/2017	Gingras	.....	B65D 43/0235
10,669,078	B2 *	6/2020	Kalmanides	.....	B65D 43/0241
D926,029	S *	7/2021	Denison	.....	D9/425
2015/0083725	A1 *	3/2015	Sinha	.....	B65D 43/0272 220/265
2017/0001766	A1 *	1/2017	Cimmerer	.....	B65D 43/162
2018/0141731	A1 *	5/2018	Hsieh	.....	B65D 55/024
2019/0084736	A1 *	3/2019	Pohlman	.....	B65D 43/0254
2020/0062461	A1 *	2/2020	Smith	.....	B65D 43/162
2020/0115117	A1 *	4/2020	Tsertsvadze	.....	B65D 43/0254
2021/0229876	A1 *	7/2021	Guirguis	.....	B65D 43/162

\* cited by examiner

*Primary Examiner* — Lauren R Calve

(74) *Attorney, Agent, or Firm* — Michael R Shevlin

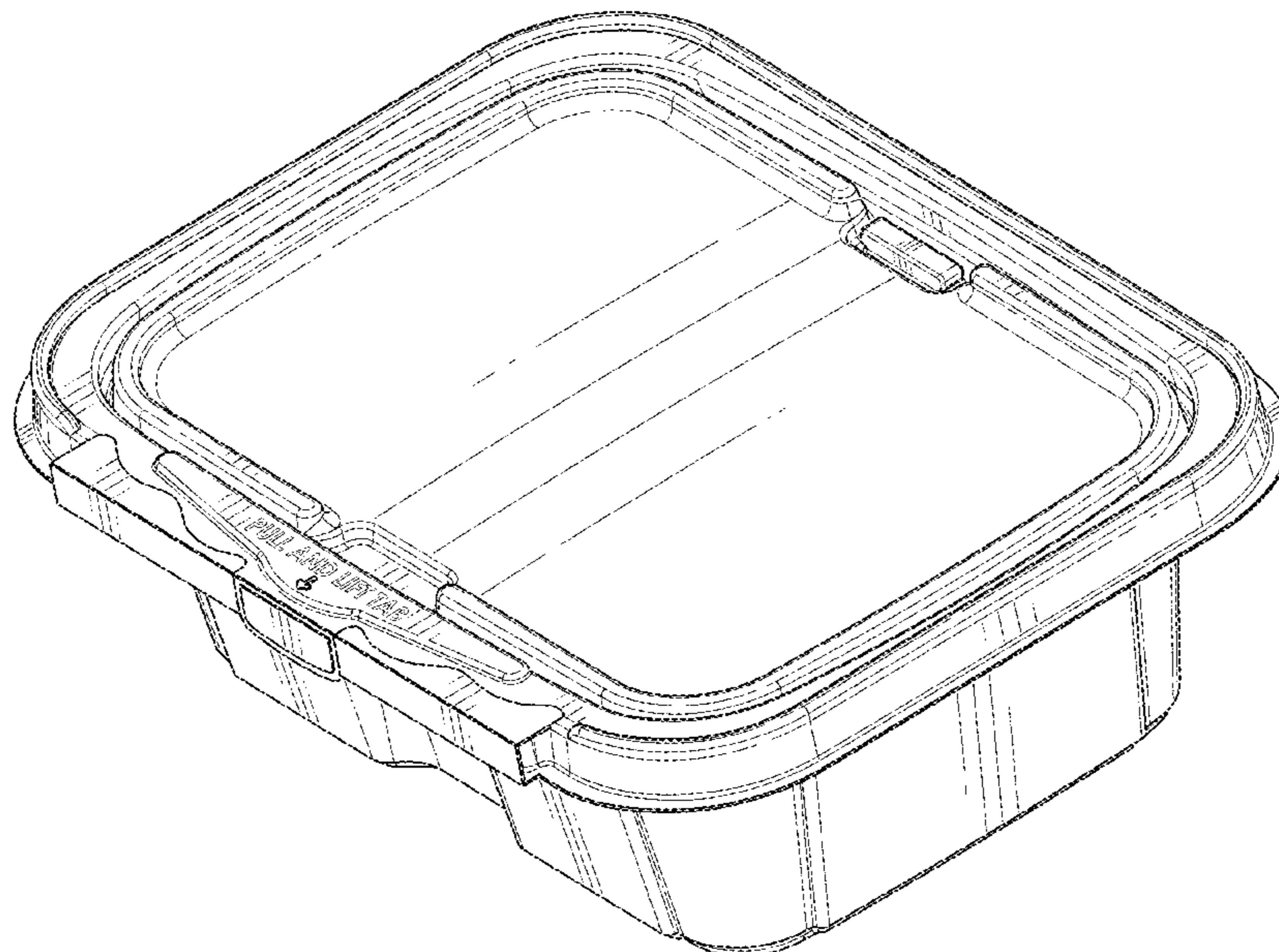
(57) **CLAIM**

The ornamental design for a container having a tamper evidence tab, as shown and described.

**DESCRIPTION**

FIG. 1 is a perspective view of a container having a tamper evidence tab;  
 FIG. 2 is a front view thereof;  
 FIG. 3 is a rear view thereof;  
 FIG. 4 is a right side view thereof;  
 FIG. 5 is left side view thereof;  
 FIG. 6 is a top end view thereof; and,  
 FIG. 7 is a bottom end thereof.  
 The broken lines shown represent portions of the container having a tamper evidence tab that form no part of the claimed design.

**1 Claim, 7 Drawing Sheets**



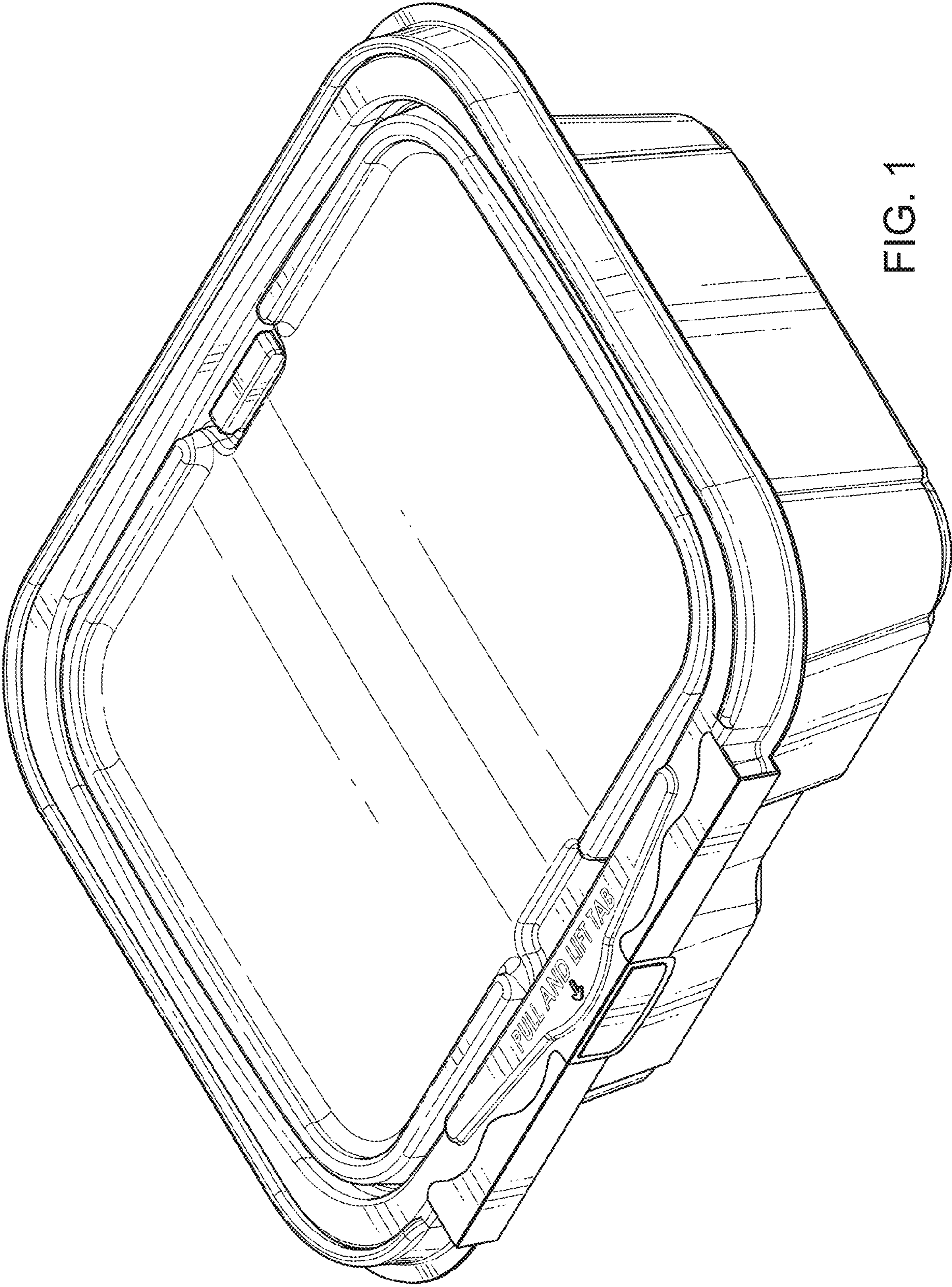


FIG. 1

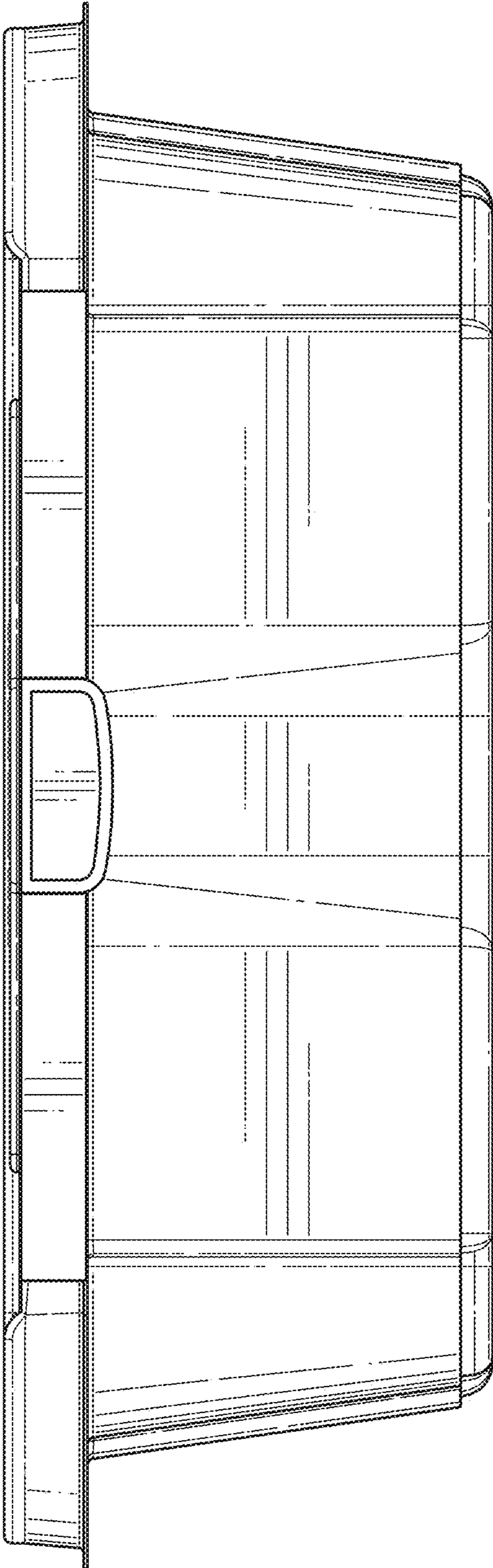


FIG. 2

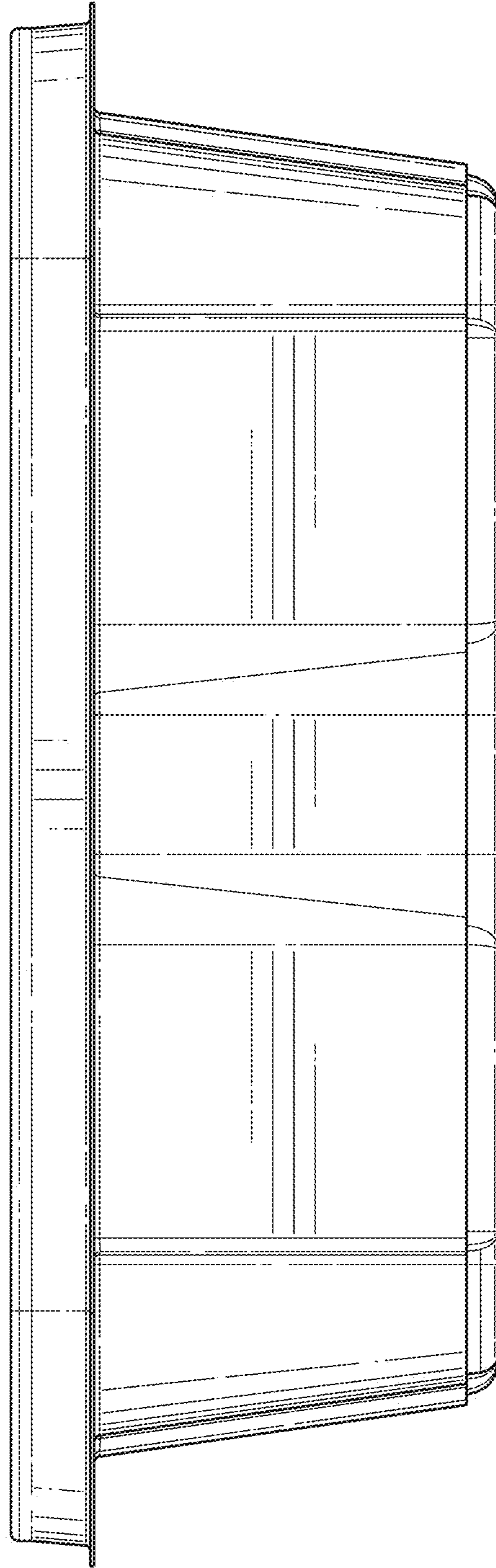


FIG. 3

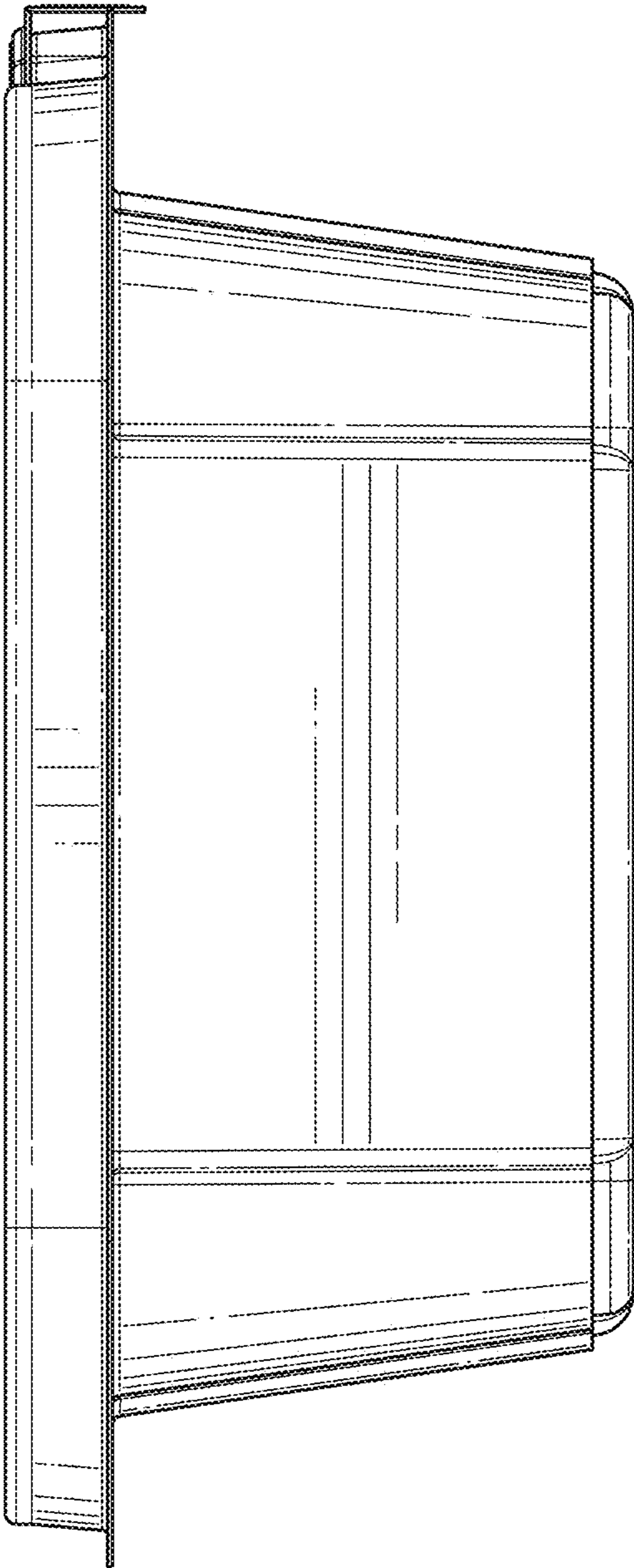


FIG. 4

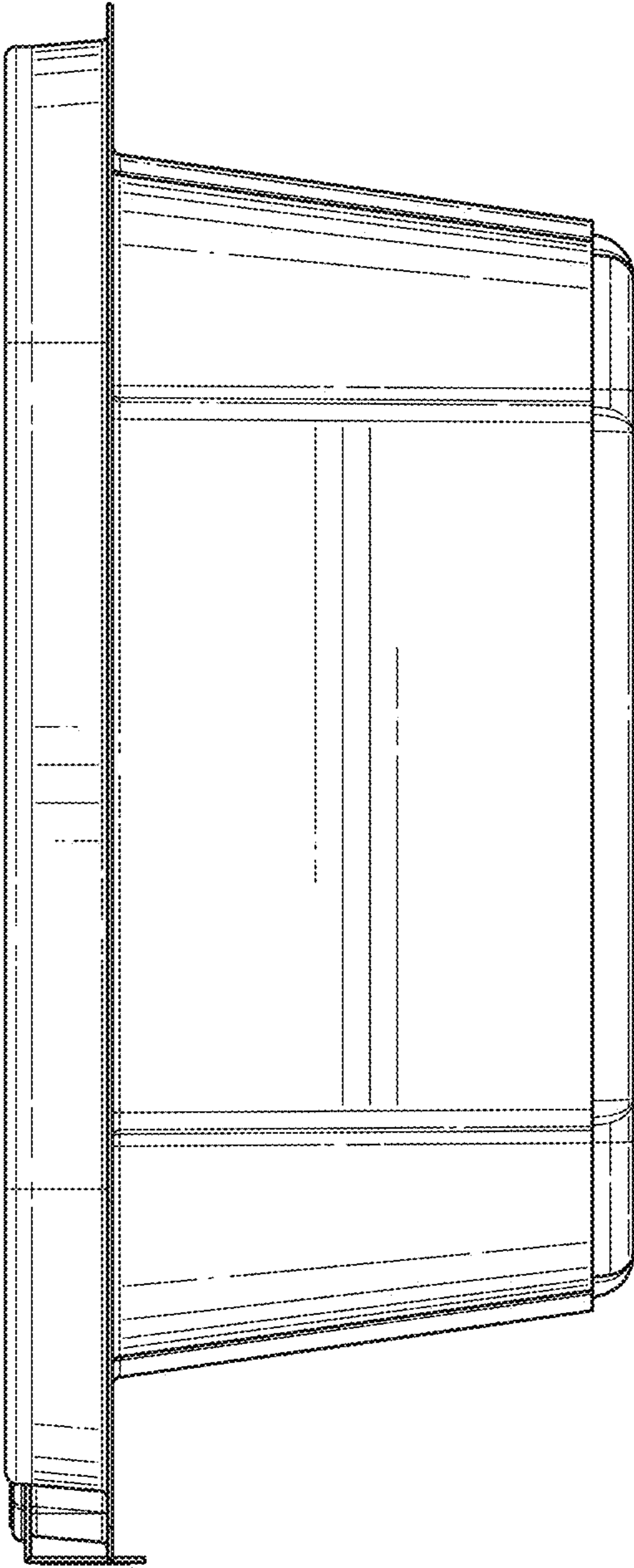


FIG. 5

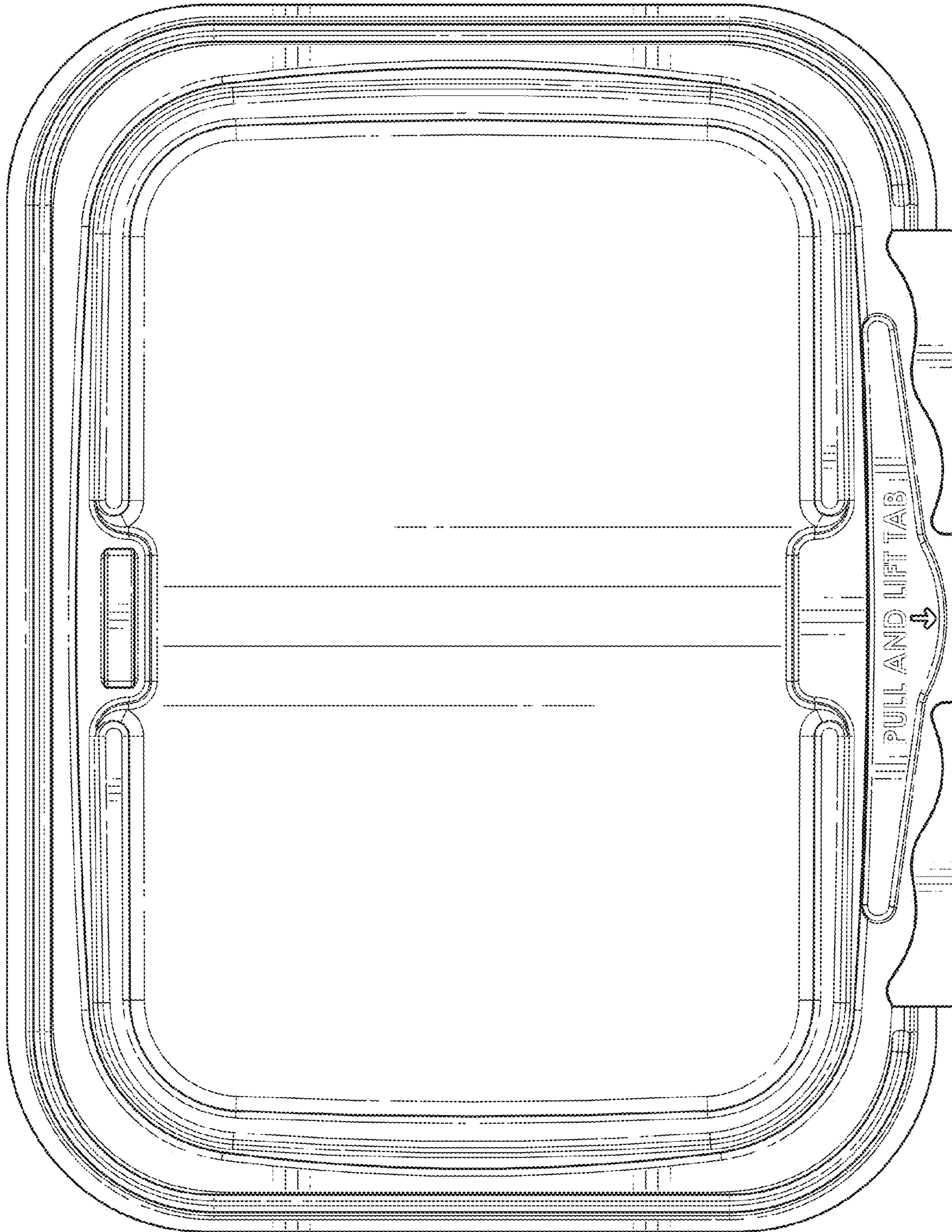


FIG. 6

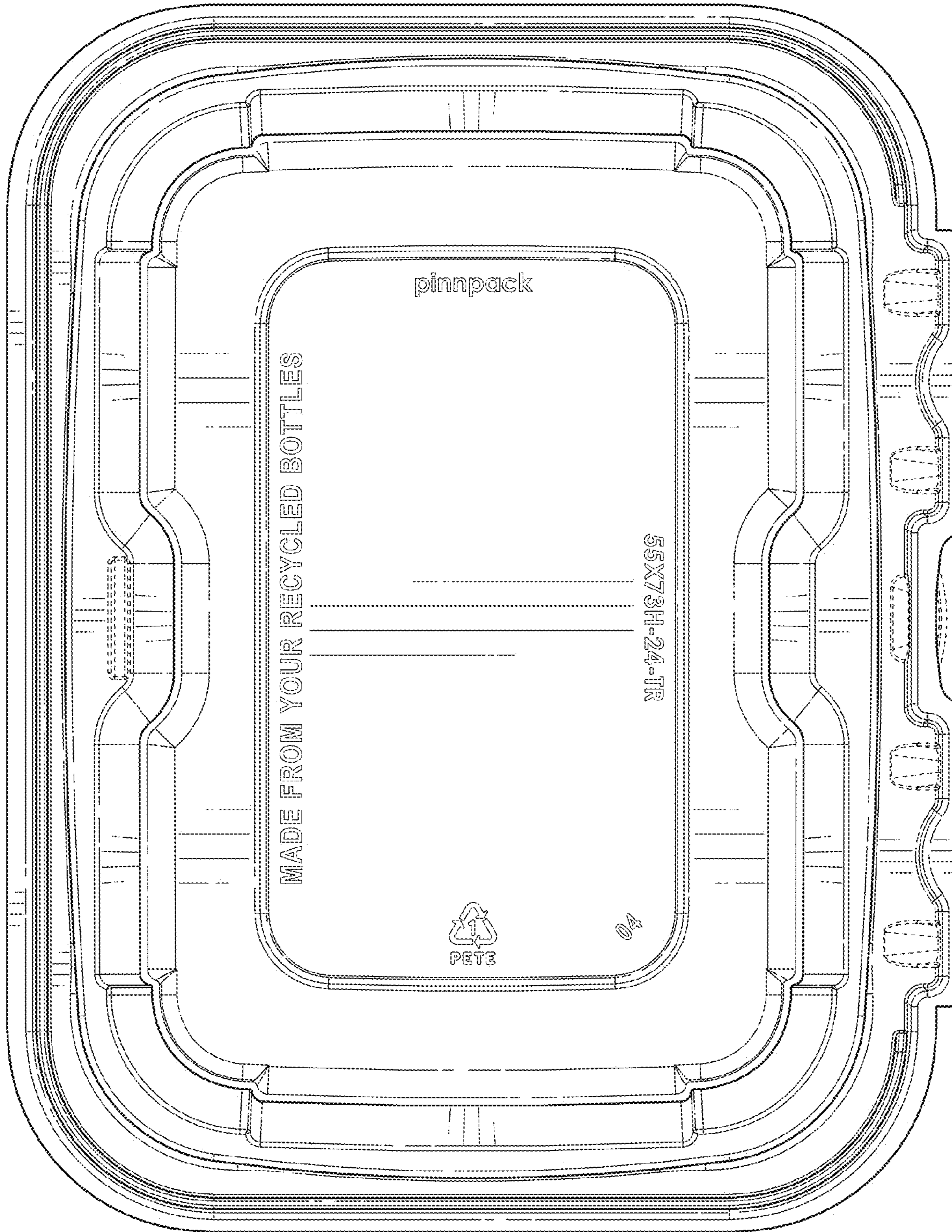


FIG. 7