



US00D949007S

(12) **United States Design Patent** (10) **Patent No.:** **US D949,007 S**  
**Albert** (45) **Date of Patent:** **\*\* Apr. 19, 2022**

(54) **DOZEN PASTRY CONTAINER**  
(71) Applicant: **Julia Michelle Albert**, Castro Valley, CA (US)  
(72) Inventor: **Julia Michelle Albert**, Castro Valley, CA (US)  
(\*\*) Term: **15 Years**

D729,589 S \* 5/2015 Logan ..... D7/558  
D734,075 S \* 7/2015 Tapper ..... D6/672  
D789,788 S 6/2017 Rossiter ..... D9/433  
D793,252 S 8/2017 Prince ..... D9/755  
D803,701 S \* 11/2017 Sellari ..... D9/756  
D843,224 S \* 3/2019 Alatraste ..... D9/703  
10,575,678 B1 3/2020 Anderson ..... A47J 37/01  
D921,483 S \* 6/2021 Albert ..... D9/433  
2005/0238773 A1\* 10/2005 Stease ..... A21B 3/132  
426/505

(Continued)

(21) Appl. No.: **29/714,487**  
(22) Filed: **Nov. 22, 2019**  
(51) **LOC (13) Cl.** ..... **09-03**  
(52) **U.S. Cl.**  
USPC ..... **D9/418**  
(58) **Field of Classification Search**  
USPC ..... D9/418, 433, 703, 756, 414; D7/558;  
D6/672  
CPC ..... B65D 85/62; B65D 81/34; A01M 23/24;  
A21B 3/132  
See application file for complete search history.

FOREIGN PATENT DOCUMENTS

TR DM-075166 1/2011  
*Primary Examiner* — Rhea Shields  
(74) *Attorney, Agent, or Firm* — Adibi IP Group, PC;  
Amir V. Adibi; Andrew C. Palmer

(57) **CLAIM**

The ornamental design for a dozen pastry container, as shown and described.

(56) **References Cited**

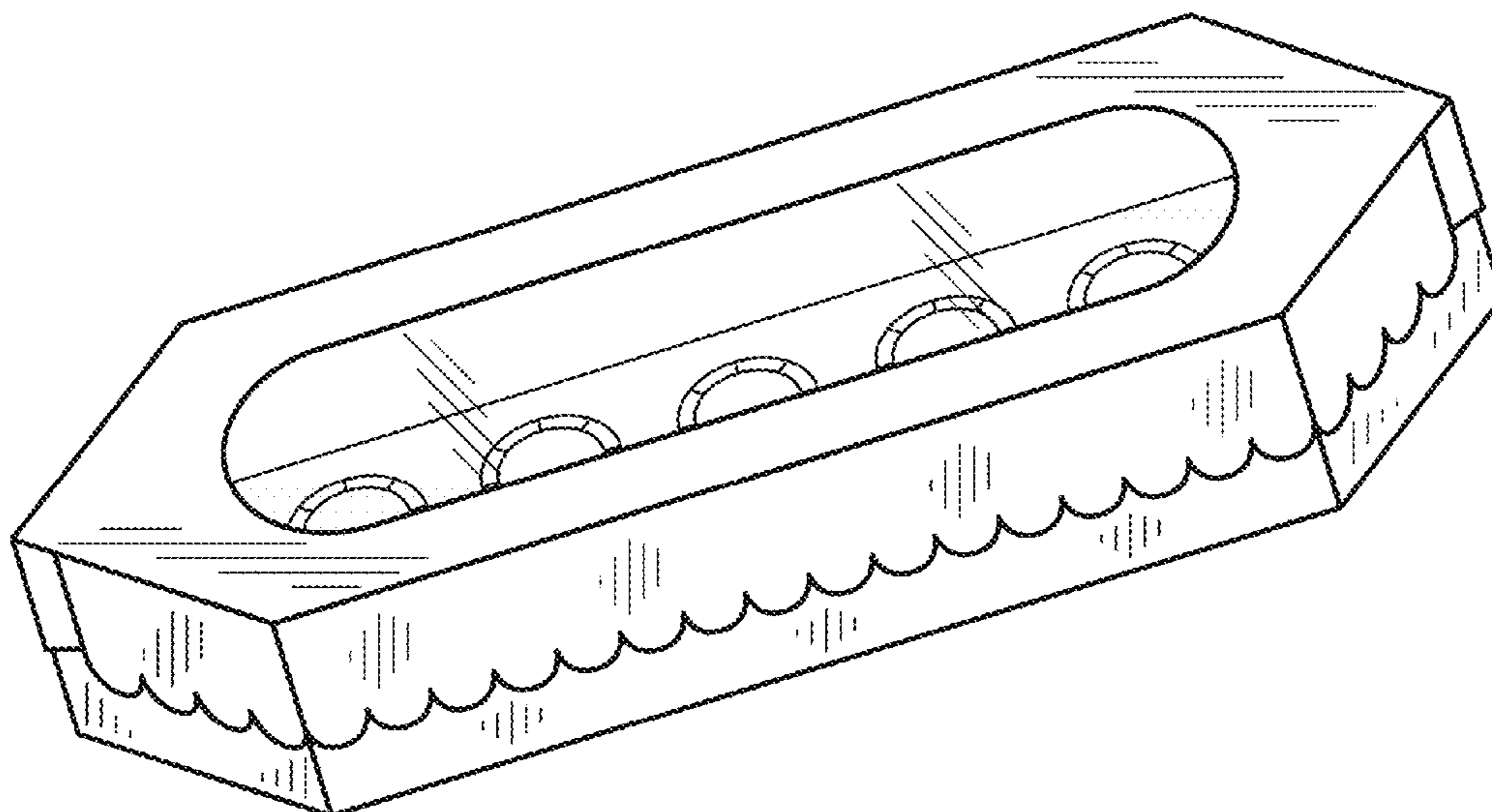
**DESCRIPTION**

U.S. PATENT DOCUMENTS

D122,774 S 10/1940 Frederick ..... D7/553.4  
3,162,077 A 12/1964 Brummer ..... B29C 51/24  
83/99  
3,407,079 A \* 10/1968 Griffith ..... B65D 85/62  
426/124  
4,216,241 A 8/1980 Thompson ..... A21B 3/132  
126/390.1  
D334,885 S \* 4/1993 Eastin ..... D9/414  
5,259,750 A 11/1993 Lewandowski ..... A21C 9/081  
425/298  
D349,615 S 8/1994 McLaughlin ..... 47/86  
D487,673 S 3/2004 Mishan ..... D7/553.4  
6,758,008 B1 \* 7/2004 Thebolt ..... A01M 23/24  
43/58  
6,973,872 B2 12/2005 Morgan ..... A21B 3/13  
99/428  
7,517,933 B2 4/2009 Holmes ..... A21B 3/136  
524/588

FIG. 1 is a front perspective view of a dozen pastry container showing my new design.  
FIG. 2 is a top view showing my new design.  
FIG. 3 is a bottom view thereof.  
FIG. 4 is a left side view thereof; the right side view (not shown) being a mirror image thereof.  
FIG. 5 is a front view thereof; the back view (not shown) being a mirror image thereof.  
FIG. 6 is a front perspective view thereof; showing the dozen pastry container in an environment; and,  
FIG. 7 is an exploded view of the dozen pastry container showing my new design.  
In FIG. 6, the broken lines are for the purpose of illustrating the environment only and form no part of the claimed design.

**1 Claim, 7 Drawing Sheets**



(56)

**References Cited**

U.S. PATENT DOCUMENTS

2015/0034664 A1 2/2015 Baecher ..... A21B 3/135  
220/780  
2020/0122910 A1\* 4/2020 Cruz ..... B65D 81/34

\* cited by examiner

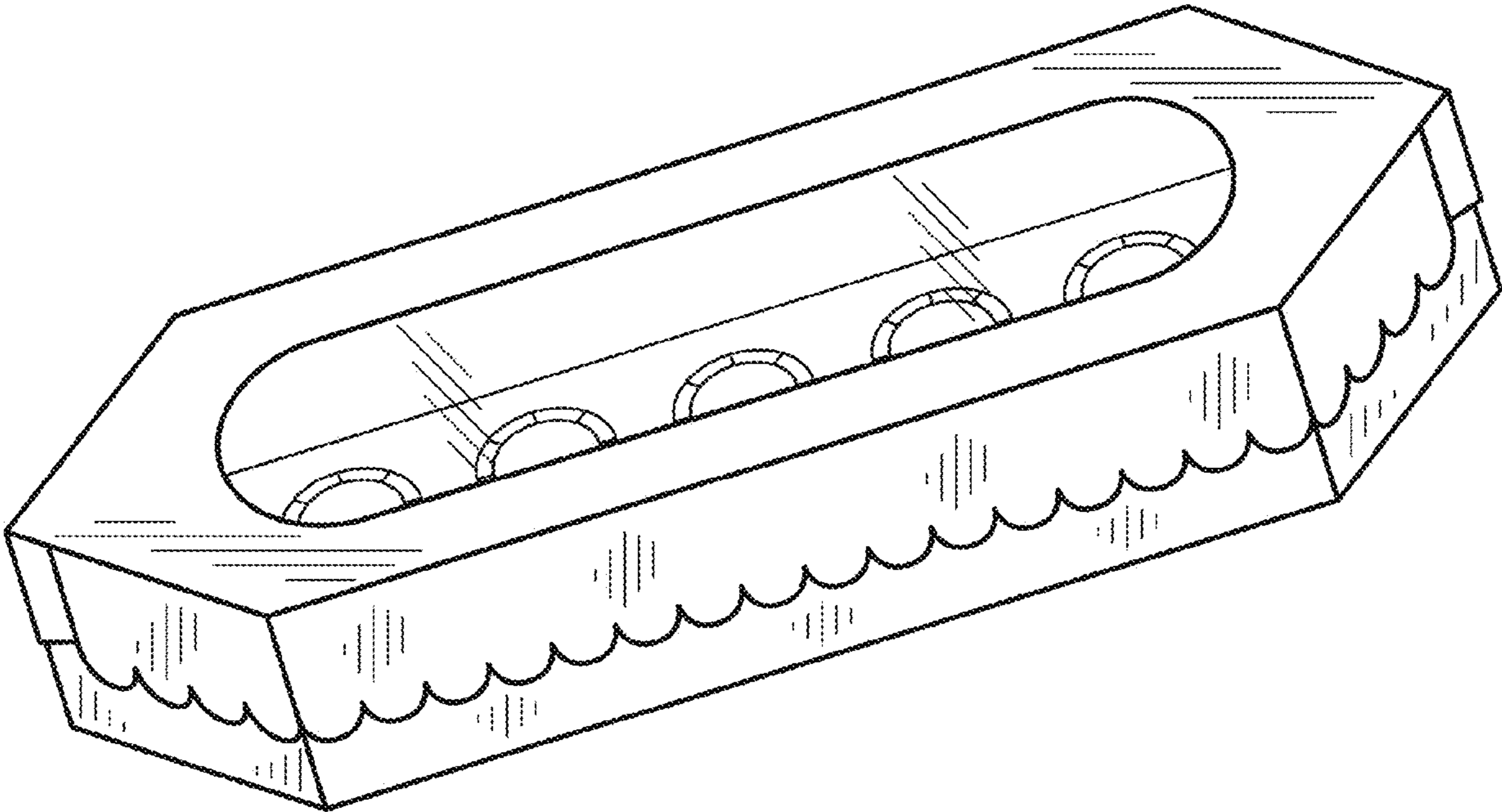


FIG. 1

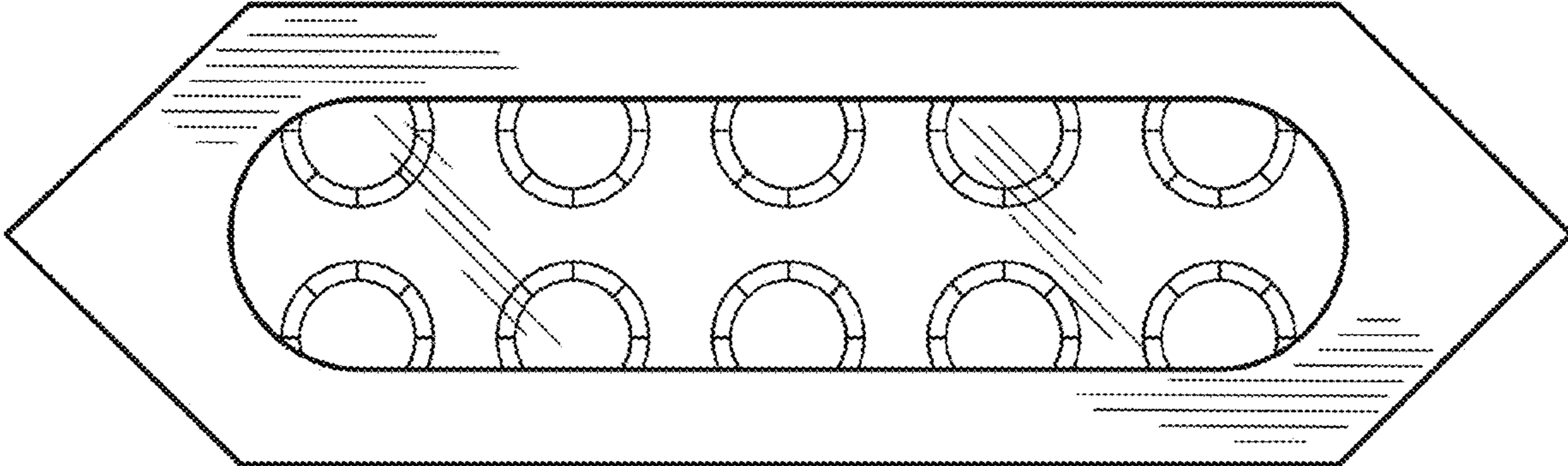


FIG. 2

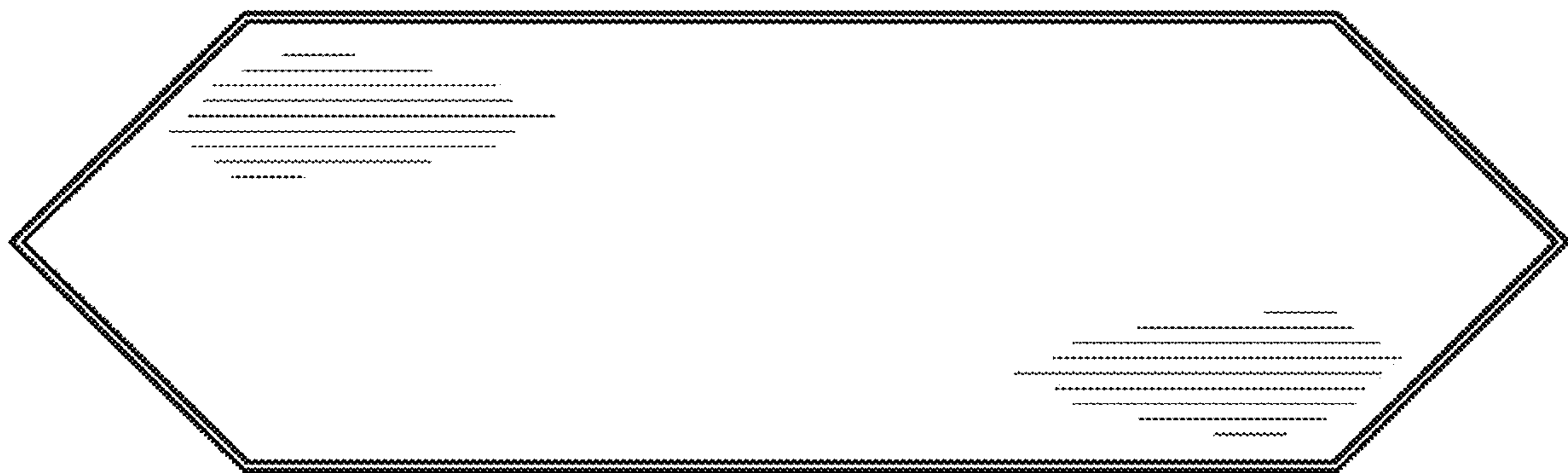


FIG. 3

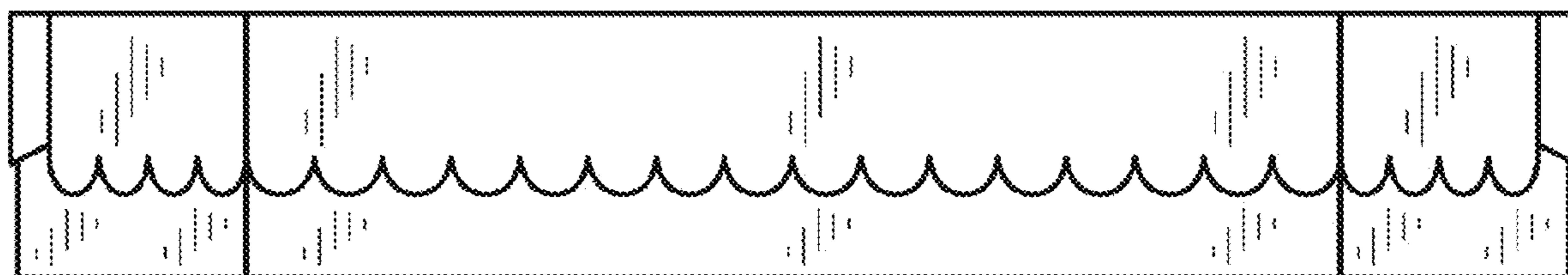


FIG. 4



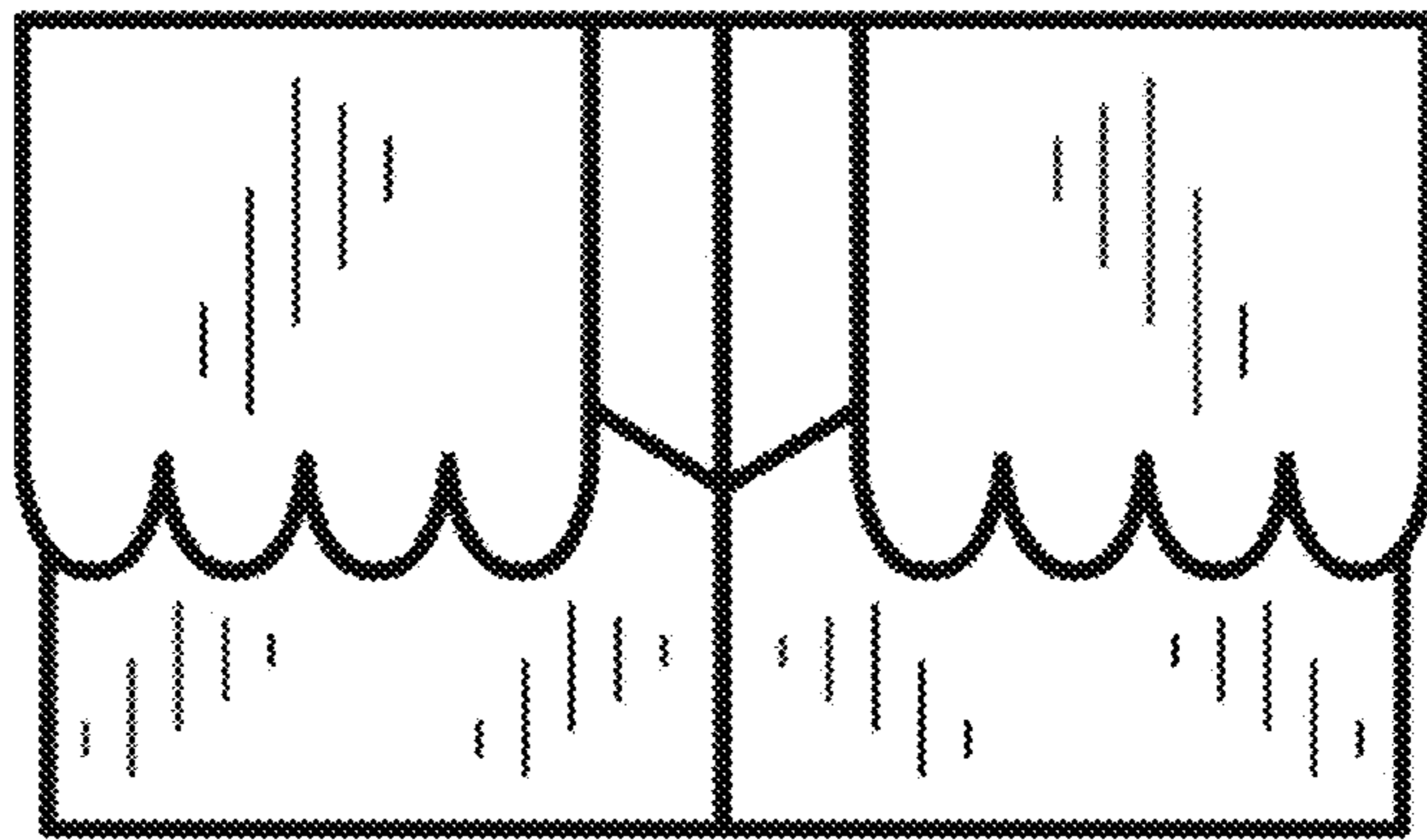


FIG. 5

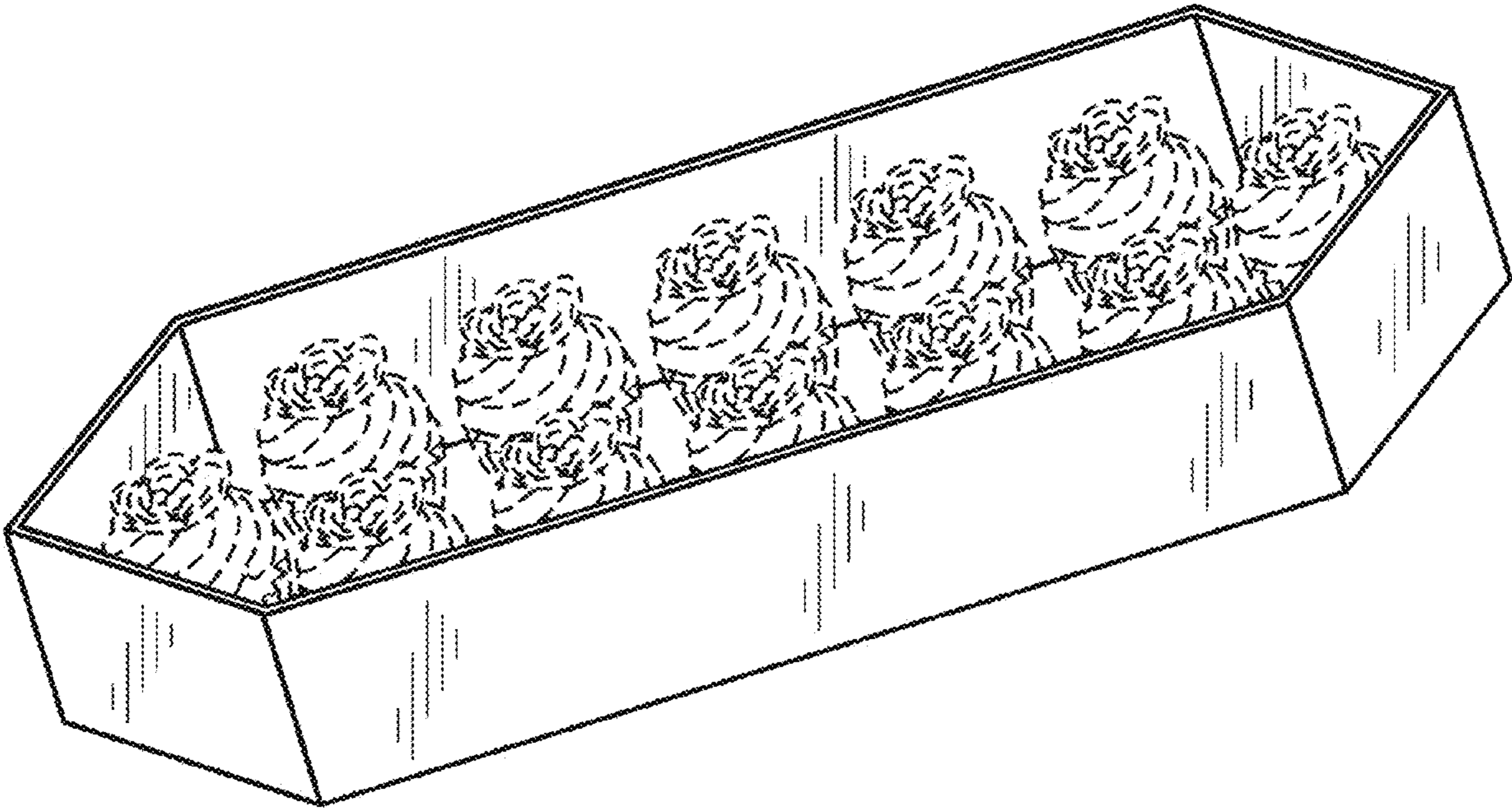


FIG. 6



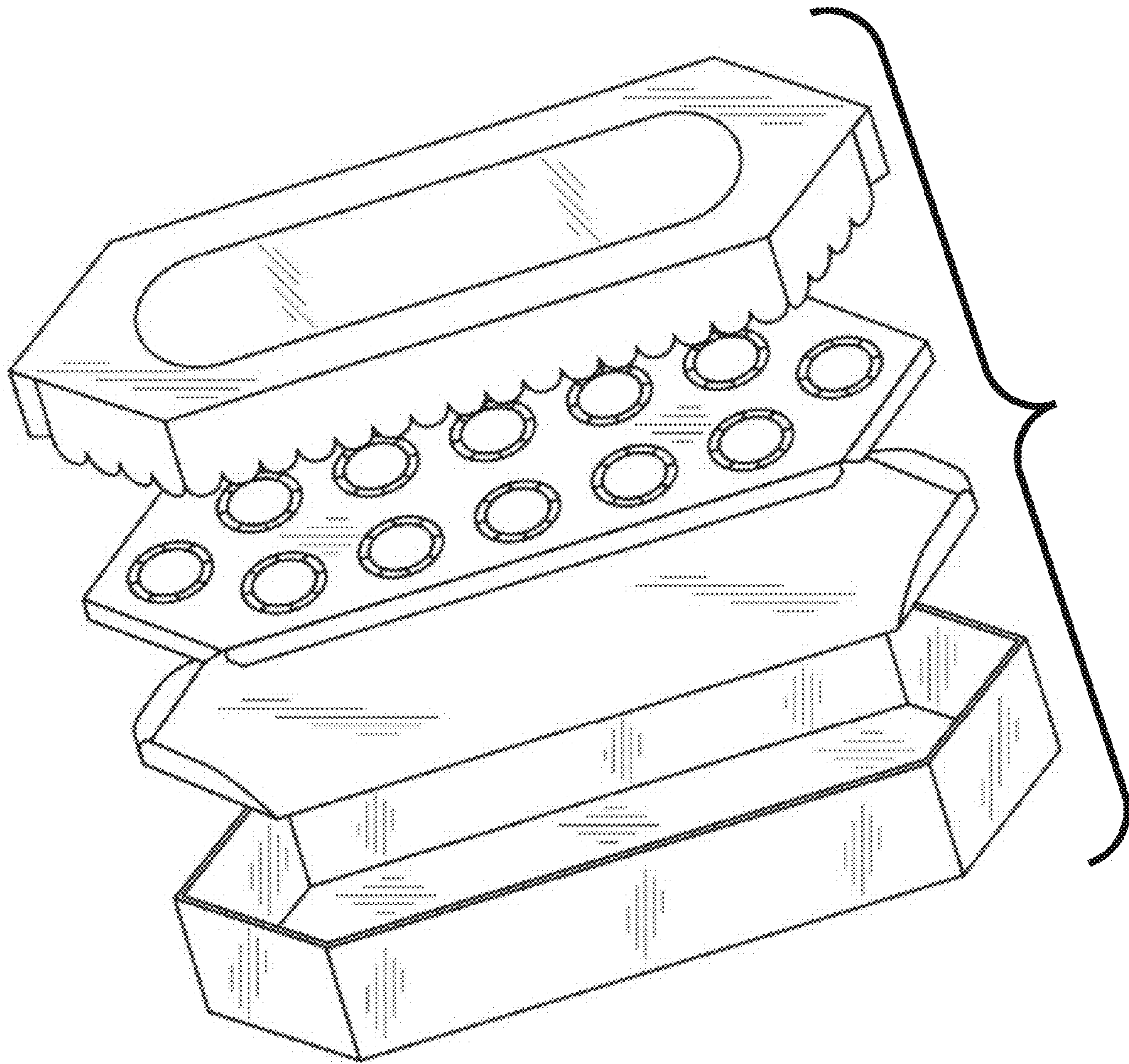


FIG. 7