



US00D949006S

(12) **United States Design Patent** (10) **Patent No.:** **US D949,006 S**  
**Albert** (45) **Date of Patent:** **\*\* Apr. 19, 2022**

(54) **HALF-DOZEN PASTRY CONTAINER**  
(71) Applicant: **Julia Michelle Albert**, Castro Valley, CA (US)  
(72) Inventor: **Julia Michelle Albert**, Castro Valley, CA (US)  
(\*\*) Term: **15 Years**

D729,589 S \* 5/2015 Logan ..... D7/558  
D734,075 S \* 7/2015 Tapper ..... D6/672  
D789,788 S 6/2017 Rossiter ..... D9/433  
D793,252 S 8/2017 Prince ..... D9/755  
D803,701 S \* 11/2017 Sellari ..... D9/756  
D843,224 S \* 3/2019 Alatraste ..... D9/703  
10,575,678 B1 3/2020 Anderson ..... A47J 37/01  
D921,483 S \* 6/2021 Albert ..... D9/433  
2005/0238773 A1\* 10/2005 Stease ..... A21B 3/132  
426/505

(Continued)

(21) Appl. No.: **29/714,483**  
(22) Filed: **Nov. 22, 2019**  
(51) **LOC (13) Cl.** ..... **09-03**  
(52) **U.S. Cl.**  
USPC ..... **D9/418**  
(58) **Field of Classification Search**  
USPC ..... D9/418, 433, 703, 756, 414; D7/558;  
D6/672  
CPC ..... B65D 85/62; B65D 81/34; A01M 23/24;  
A21B 3/132  
See application file for complete search history.

FOREIGN PATENT DOCUMENTS

WO DM-075166 1/2011  
*Primary Examiner* — Rhea Shields  
(74) *Attorney, Agent, or Firm* — Adibi IP Group, PC;  
Amir V. Adibi; Andrew C. Palmer

(57) **CLAIM**

The ornamental design for a half-dozen pastry container, as shown and described.

(56) **References Cited**

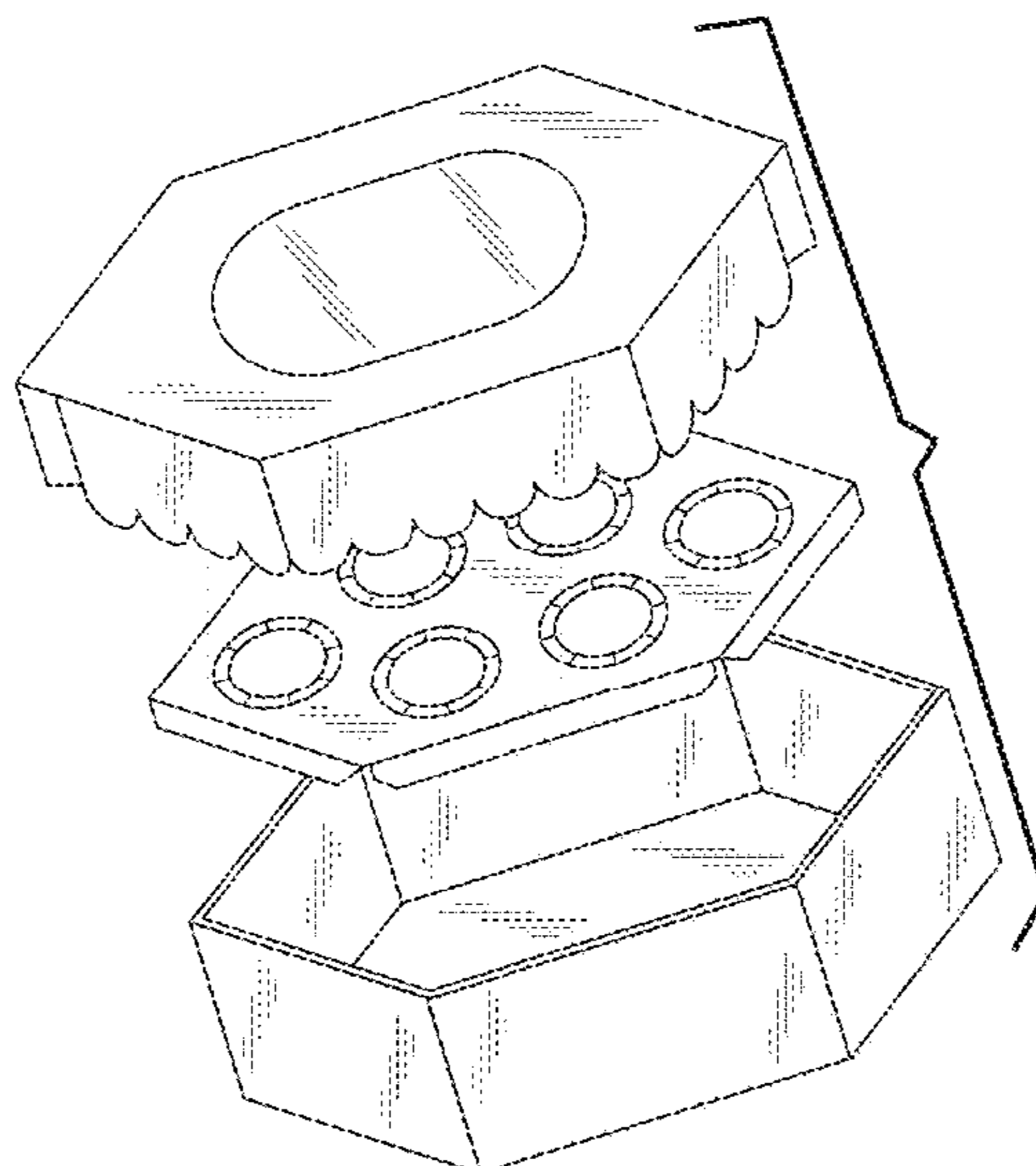
**DESCRIPTION**

U.S. PATENT DOCUMENTS

D122,774 S 10/1940 Frederick ..... D7/553.4  
3,162,077 A 12/1964 Brummer ..... B29C 51/24  
83/99  
3,407,079 A \* 10/1968 Griffith ..... B65D 85/62  
426/124  
4,216,241 A 8/1980 Thompson ..... A21B 3/132  
126/390.1  
D334,885 S \* 4/1993 Eastin ..... D9/414  
5,259,750 A 11/1993 Lewandowski ..... A21C 9/081  
425/298  
D349,615 S 8/1994 McLaughlin ..... 47/86  
D487,673 S 3/2004 Mishan ..... D7/553.4  
6,758,008 B1 \* 7/2004 Thebolt ..... A01M 23/24  
43/58  
6,973,872 B2 12/2005 Morgan ..... A21B 3/13  
99/428  
7,517,933 B2 4/2009 Holmes ..... A21B 3/136  
524/588

FIG. 1 is a front perspective view of a half-dozen pastry container showing my new design.  
FIG. 2 is a top view showing my new design.  
FIG. 3 is a bottom view thereof.  
FIG. 4 is a left side view thereof; the right side view (not shown) being a mirror image thereof.  
FIG. 5 is a front view thereof; the back view (not shown) being a mirror image thereof.  
FIG. 6 is a front perspective view thereof; showing the half-dozen pastry container in an environment; and,  
FIG. 7 is an exploded view of the half-dozen pastry container showing my new design.  
In FIG. 6, the broken lines are for the purpose of illustrating the environment only and form no part of the claimed design.

**1 Claim, 7 Drawing Sheets**



(56)

**References Cited**

U.S. PATENT DOCUMENTS

2015/0034664 A1 2/2015 Baecher ..... A21B 3/135  
220/780  
2020/0122910 A1\* 4/2020 Cruz ..... B65D 81/34

\* cited by examiner

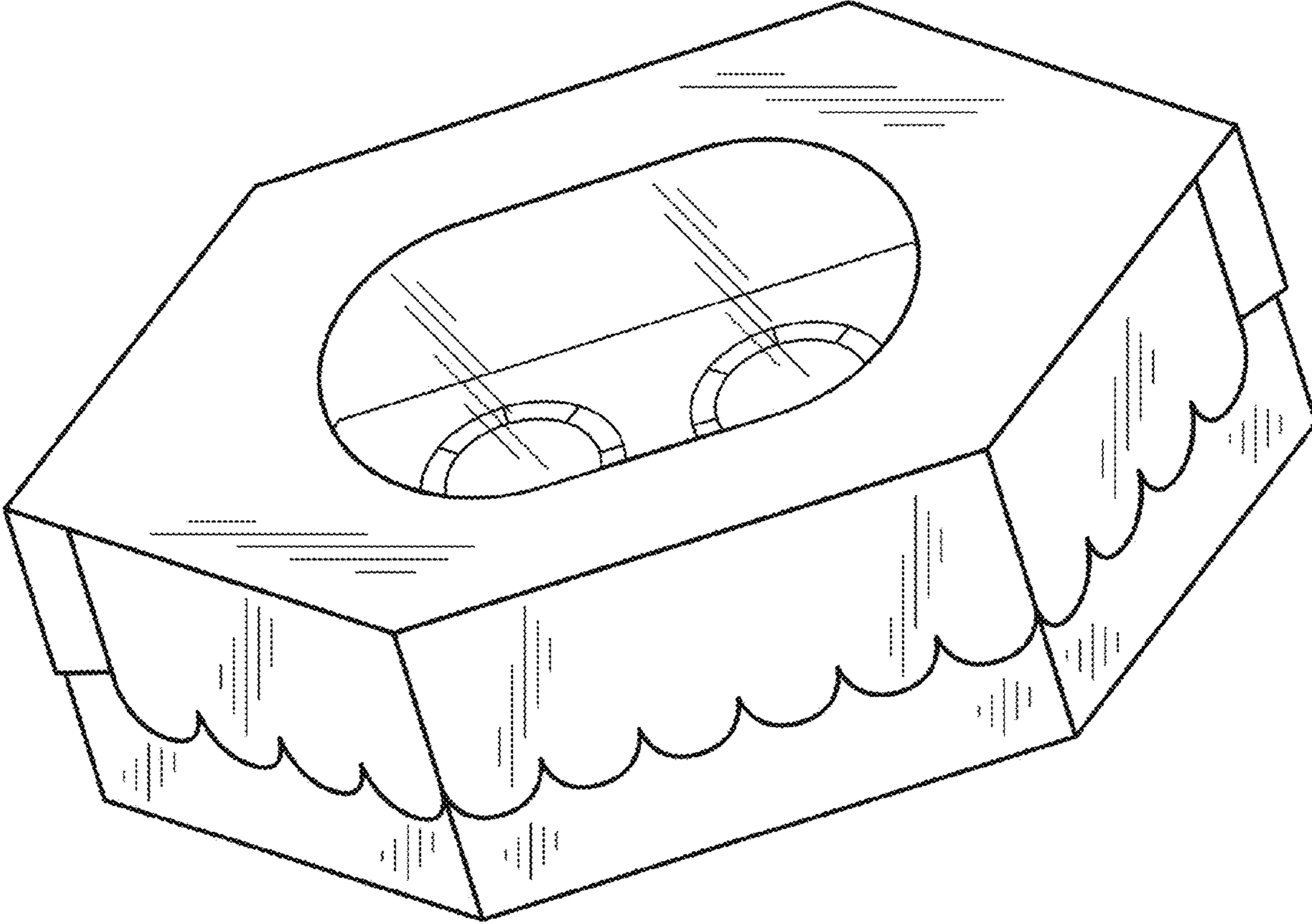


FIG. 1

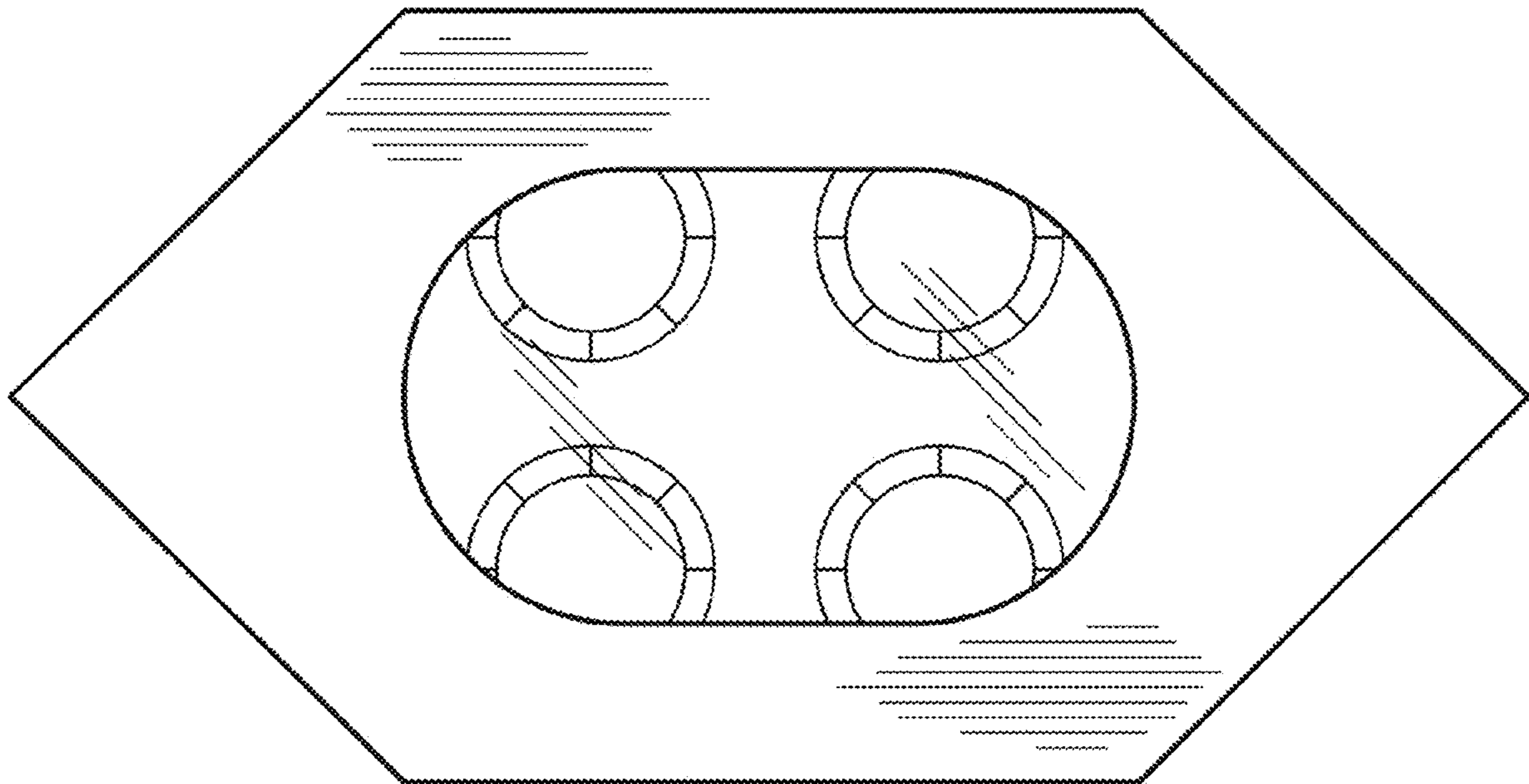


FIG. 2

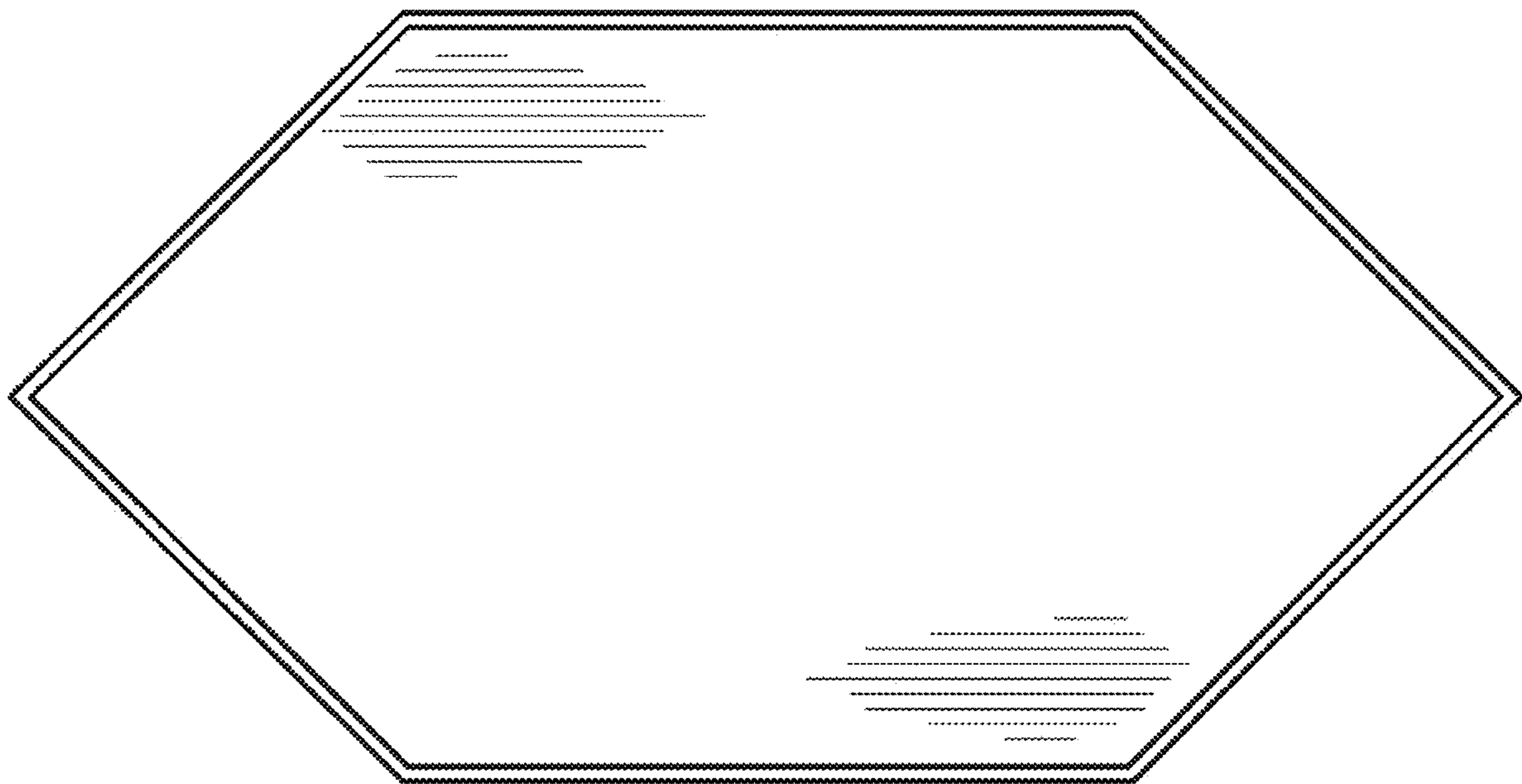


FIG. 3

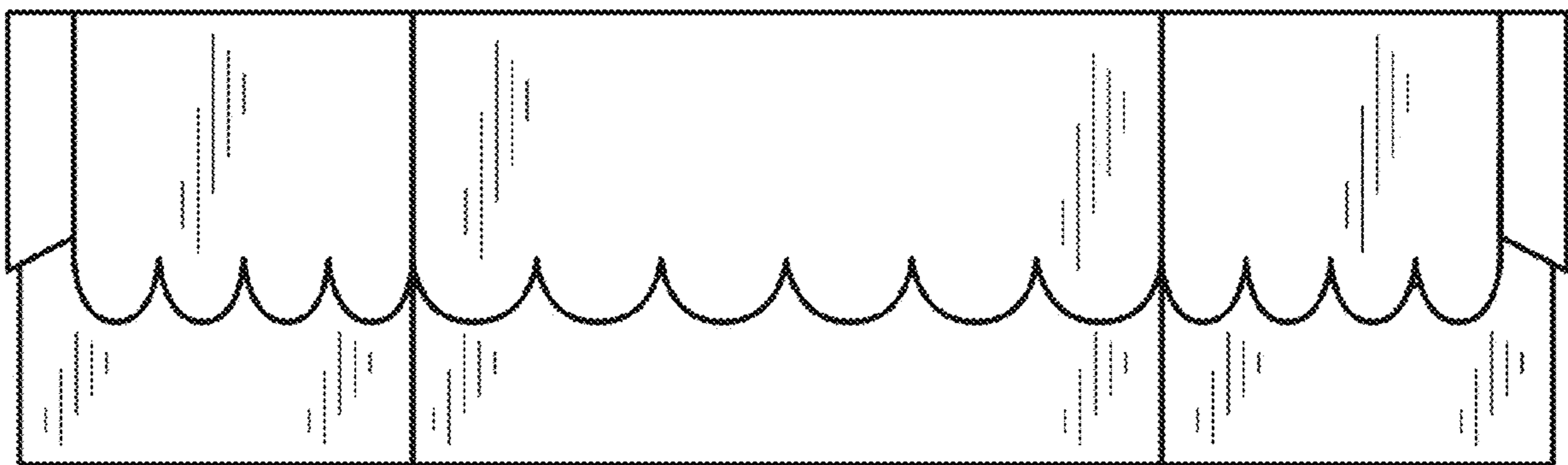


FIG. 4

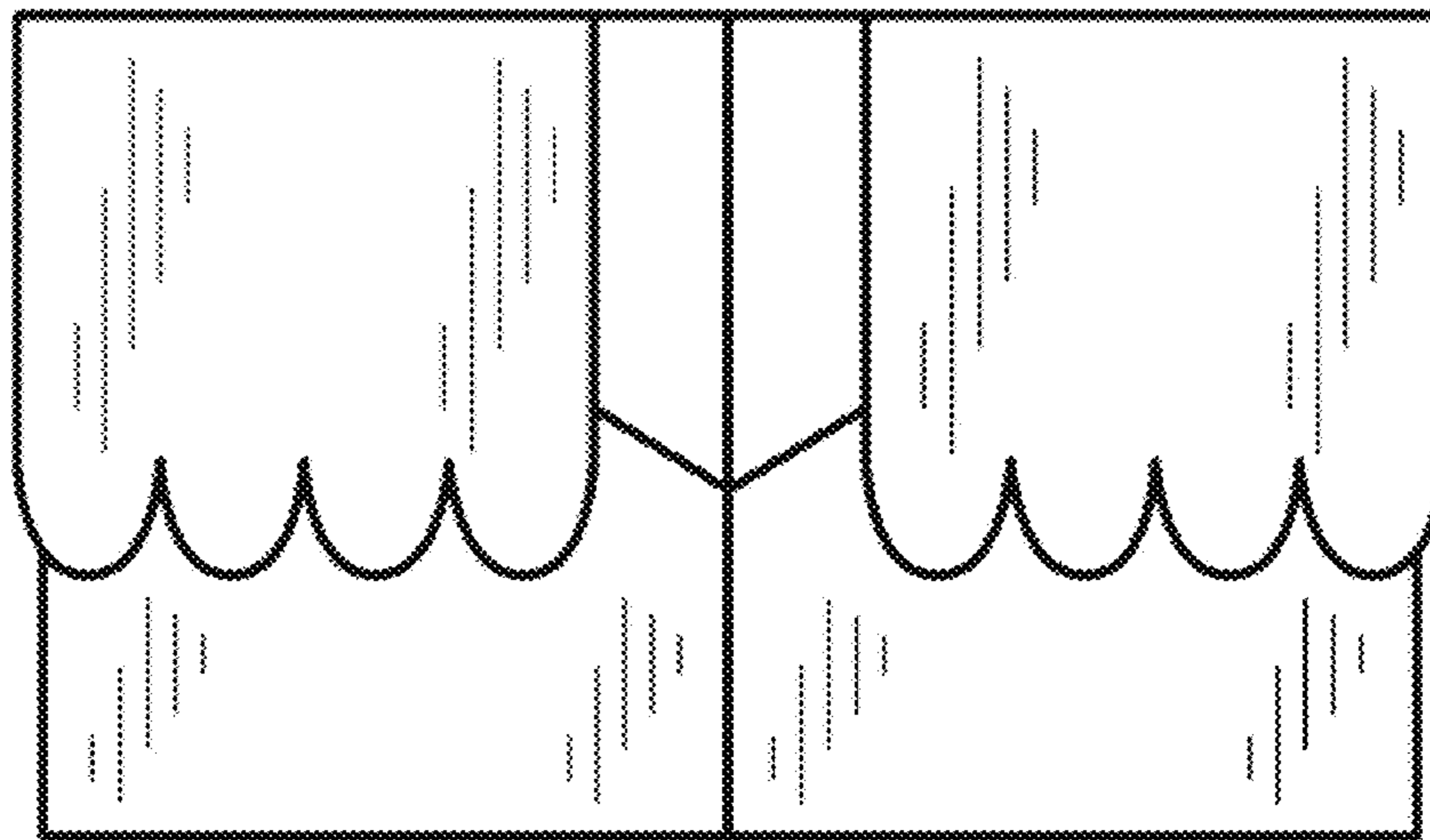


FIG. 5

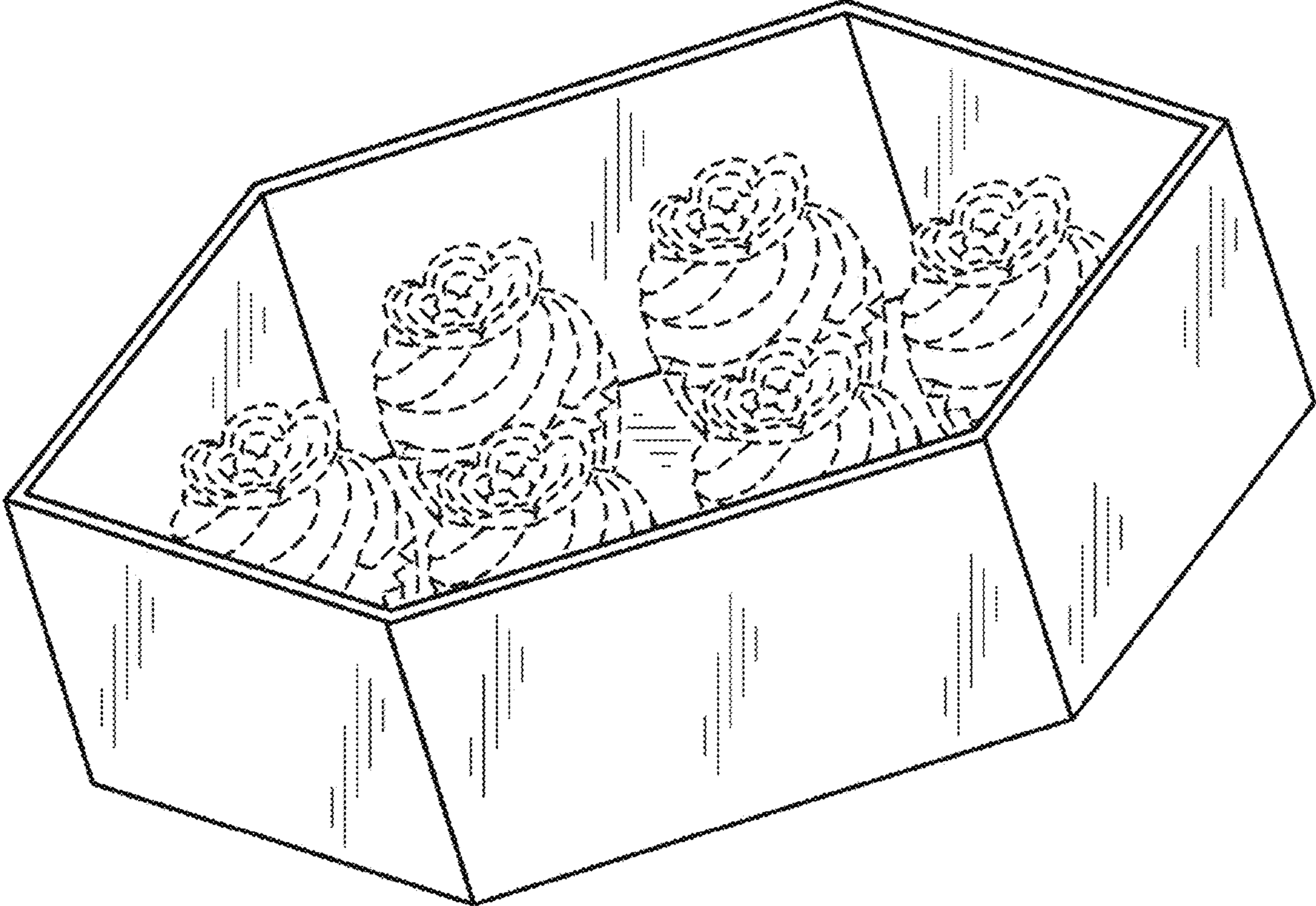


FIG. 6



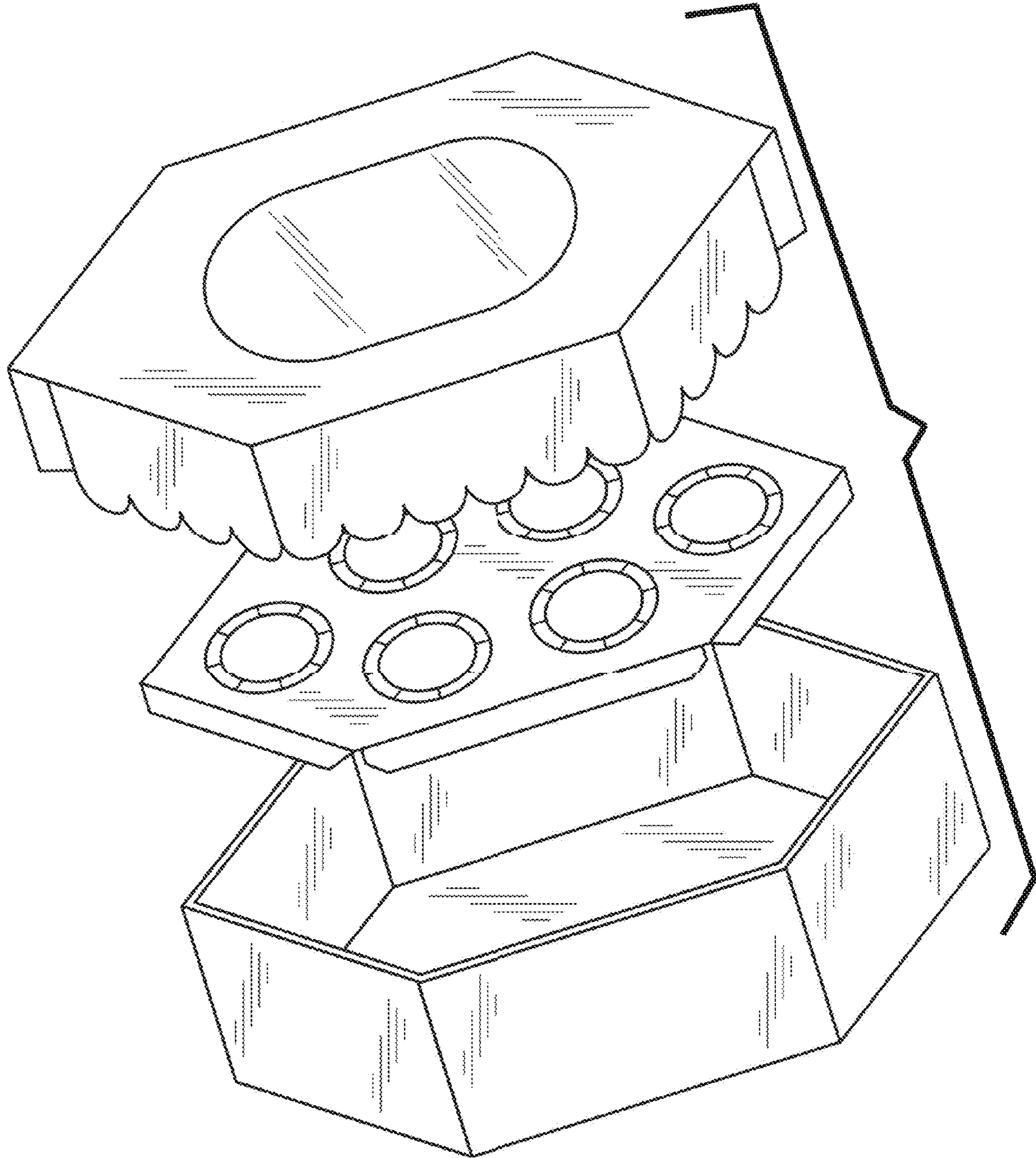


FIG. 7