



US00D949004S

(12) **United States Design Patent**
Parab et al.

(10) **Patent No.:** **US D949,004 S**

(45) **Date of Patent:** **** Apr. 19, 2022**

(54) **POST COUPLER**

FOREIGN PATENT DOCUMENTS

(71) Applicant: **Edsal Manufacturing Company, Inc.**,
Chicago, IL (US)

DE 29808396 U1 8/1998
EP 0063805 A2 11/1982
EP 0981979 A1 3/2000

(72) Inventors: **Rohan Parab**, Chicago, IL (US);
Anusha Chakraborty, Downers
Grove, IL (US); **Jeff Lamber**, Minooka,
IL (US); **Anthony J. Troyner**,
Shorewood, IL (US); **Chris Kruger**,
Kennesaw, GA (US); **Mitchell Liss**,
Northbrook, IL (US); **Scott Henry**,
Aurora, IL (US)

OTHER PUBLICATIONS

“National Hardware Corner Brace”, Sep. 6, 2013, Amazon.com, site
visited Dec. 8, 2021: <https://www.amazon.com/National-Hardware-N351-491-1214BC-Corner/dp/B00F02TW7A> (Year: 2013).*

(Continued)

(73) Assignee: **Edsal Manufacturing Company, LLC**,
Chicago, IL (US)

Primary Examiner — Jack Reickel

Assistant Examiner — Michael A Kervin

(**) Term: **15 Years**

(74) *Attorney, Agent, or Firm* — Wood Herron & Evans
LLP

(21) Appl. No.: **29/744,037**

(57) **CLAIM**

(22) Filed: **Jul. 27, 2020**

The ornamental design for a post coupler, as shown and
described.

(51) **LOC (13) Cl.** **08-08**

(52) **U.S. Cl.**
USPC **D8/394**

DESCRIPTION

(58) **Field of Classification Search**
USPC D8/70–72, 371–377, 380–381, 394–398
CPC A47B 87/0207; A47B 87/0215
See application file for complete search history.

FIG. 1 is an isometric view of the post coupler, shown with
environment.

FIG. 2 is another isometric view of the post coupler of FIG.
1.

FIG. 3 is a front elevation view of the post coupler.

FIG. 4 is a right side elevation view of the post coupler.

FIG. 5 is a rear elevation view of the post coupler.

FIG. 6 is a left side elevation view of the post coupler.

FIG. 7 is a top plan view of the post coupler.

FIG. 8 is a bottom plan view of the post coupler; and,

FIG. 9 is an isometric view of the post coupler, shown in an
alternate position.

The broken line showing of posts is for the purpose of
illustrating environmental structure and forms no part of the
claimed design.

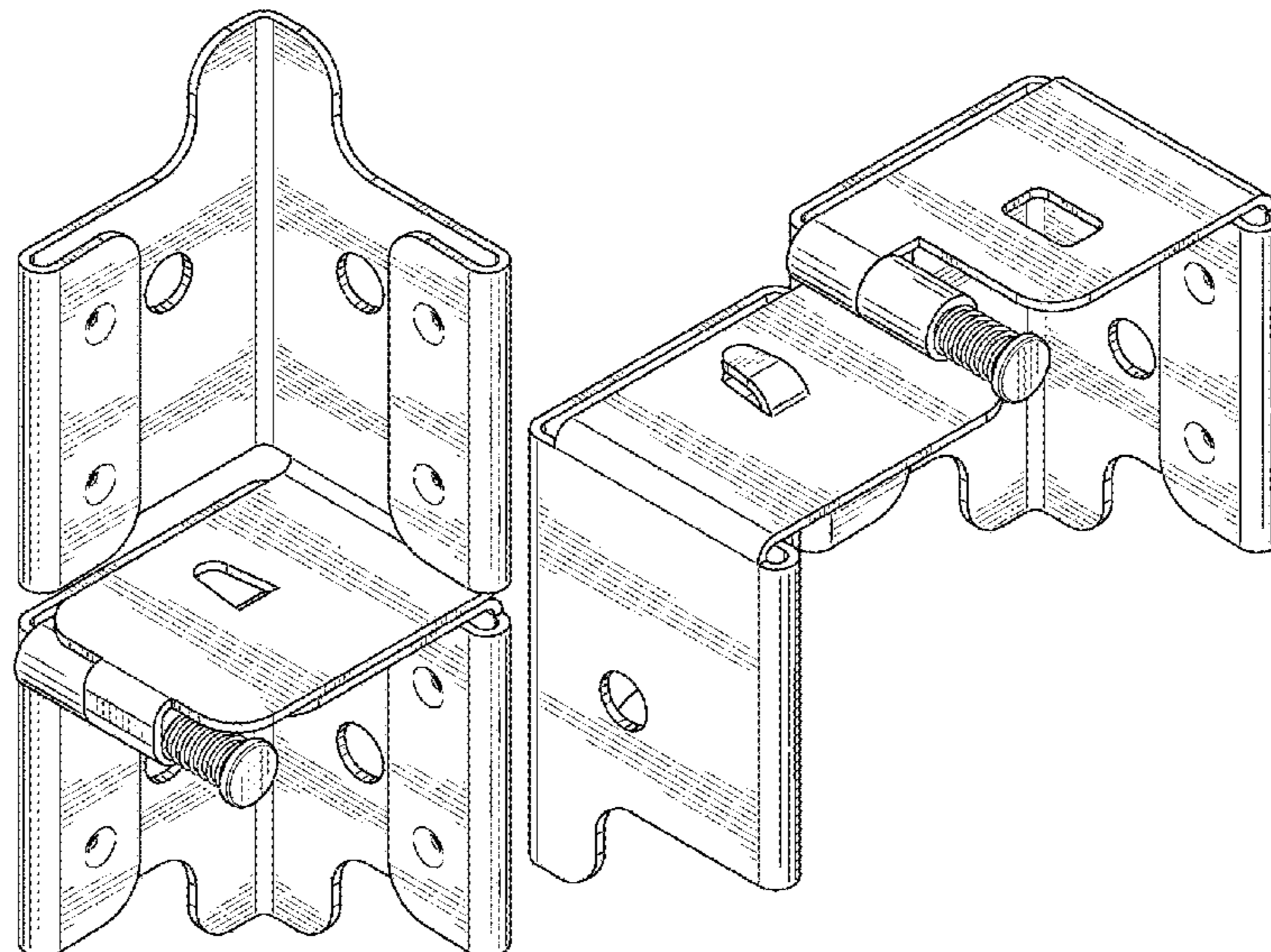
(56) **References Cited**

U.S. PATENT DOCUMENTS

1,345,954 A	7/1920	Ramm
1,458,666 A	6/1923	Stoppello
1,970,422 A	8/1934	Foster
2,226,763 A	12/1940	Geib et al.
2,296,336 A	9/1942	Crozier
2,367,206 A	1/1945	Davis
2,939,589 A	6/1960	Bellon
3,056,507 A	10/1962	Squires, Jr. et al.
3,221,894 A	12/1965	Knuth
3,481,486 A	12/1969	Squires

(Continued)

1 Claim, 6 Drawing Sheets



(56)

References Cited

U.S. PATENT DOCUMENTS

RE27,200 E 10/1971 Ferdinand et al.
 3,788,001 A 1/1974 Balfanz, Jr.
 D248,274 S * 6/1978 Kingston D8/354
 4,167,353 A 9/1979 Gebhardt
 4,490,062 A * 12/1984 Chisholm E04H 12/22
 29/897
 4,545,490 A 10/1985 Hsiao et al.
 4,582,001 A 4/1986 Leikarts
 4,598,512 A 7/1986 Chapman
 4,715,741 A * 12/1987 Kulbersh F16B 7/0433
 403/389
 4,926,592 A * 5/1990 Nehls E01F 9/681
 256/13.1
 4,967,916 A 11/1990 Handler et al.
 5,395,093 A 3/1995 Chrisman
 5,423,576 A 6/1995 Hunter
 5,425,520 A 6/1995 Masumoto
 5,463,966 A 11/1995 Nilsson
 5,535,555 A * 7/1996 Boyd E01F 9/635
 248/548
 5,553,549 A 9/1996 Nilsson
 D408,721 S * 4/1999 Sartini D8/363
 5,971,175 A 10/1999 Bustos
 6,209,155 B1 4/2001 Epstein et al.
 6,397,413 B2 6/2002 Epstein et al.
 6,679,393 B1 1/2004 Weaver et al.
 6,681,705 B2 1/2004 Wetterberg
 6,839,920 B2 1/2005 Schulte
 6,971,175 B2 12/2005 Savoy et al.
 D553,970 S * 10/2007 Allsopp D8/395
 D572,054 S 7/2008 Liss et al.
 7,497,054 B2 3/2009 Takeuchi et al.
 7,510,345 B2 3/2009 Kosh et al.
 D597,354 S 8/2009 Liss
 D653,528 S 2/2012 Choi et al.
 8,210,504 B1 7/2012 Skornickel
 D690,189 S * 9/2013 Wojtowicz D8/394
 D690,582 S * 10/2013 Wojtowicz D8/394
 D693,668 S * 11/2013 Wojtowicz D8/394
 8,585,313 B2 11/2013 Wojotowicz et al.
 8,632,272 B2 1/2014 Wojtowicz et al.
 8,672,577 B2 * 3/2014 Wojtowicz A47F 5/14
 403/286
 8,714,864 B2 5/2014 Wojtowicz et al.
 D708,051 S * 7/2014 Wojtowicz D8/394
 D743,184 S * 11/2015 Lin D6/581
 9,380,868 B1 * 7/2016 Fu A47B 57/34
 D762,777 S * 8/2016 Szucs D20/42

9,439,508 B2 * 9/2016 Wojtowicz A47F 5/14
 9,474,369 B1 * 10/2016 Tsai A47F 5/10
 D843,818 S * 3/2019 House D8/366
 D843,819 S * 3/2019 House D8/366
 D843,820 S * 3/2019 House D8/366
 10,694,849 B2 * 6/2020 Liss A47B 96/1475
 D912,496 S * 3/2021 Fox D8/354
 D919,413 S * 5/2021 Eveland D8/349
 D923,464 S * 6/2021 Murphy D8/381
 11,064,806 B1 * 7/2021 Ge A47B 47/0083
 11,083,289 B2 * 8/2021 Nemeth A47B 96/1458
 2001/0025458 A1 10/2001 James et al.
 2002/0171338 A1 11/2002 Wetterberg
 2006/0163438 A1 * 7/2006 Wojotowicz A47B 87/0215
 248/300
 2006/0195980 A1 9/2006 Nagley
 2010/0084354 A1 4/2010 Eustace
 2010/0139188 A1 6/2010 Callentine et al.
 2010/0140428 A1 6/2010 Vassallo
 2010/0155352 A1 6/2010 Hsieh
 2011/0204307 A1 8/2011 Bowman
 2011/0240580 A1 10/2011 Yu et al.
 2011/0272373 A1 * 11/2011 Wojtowicz A47F 5/14
 211/134
 2011/0272541 A1 * 11/2011 Wojtowicz A47B 87/0215
 248/218.4
 2011/0272542 A1 * 11/2011 Wojtowicz A47F 5/14
 248/218.4
 2011/0272543 A1 * 11/2011 Wojtowicz A47B 87/0215
 248/218.4
 2011/0278250 A1 11/2011 Malekmadani
 2012/0025038 A1 2/2012 Seelman et al.
 2012/0080655 A1 4/2012 Coffin
 2012/0138758 A1 6/2012 Graber
 2013/0125959 A1 * 5/2013 Sagayama F24S 25/636
 136/251
 2015/0129739 A1 * 5/2015 House F16M 13/00
 248/513
 2019/0059588 A1 * 2/2019 Liss A47B 96/1475

OTHER PUBLICATIONS

“Edsal Muscle Rack Post Coupling”, Feb. 19, 2017, Amazon.com, site visited Dec. 8, 2021: <https://www.amazon.com/CPOUT-Gry-4-Muscle-Coupling-Height-Length/dp/B06WGLM1LH> (Year: 2017).*
 “Howdia Connectors for Shelving Unit”, Aug. 20, 2018, Amazon.com, site visited Dec. 8, 2021: <https://www.amazon.com/Gizhome-Diameter-Connectors-Shelving-Replacement/dp/B07GNGB1BC> (Year: 2018).*

* cited by examiner

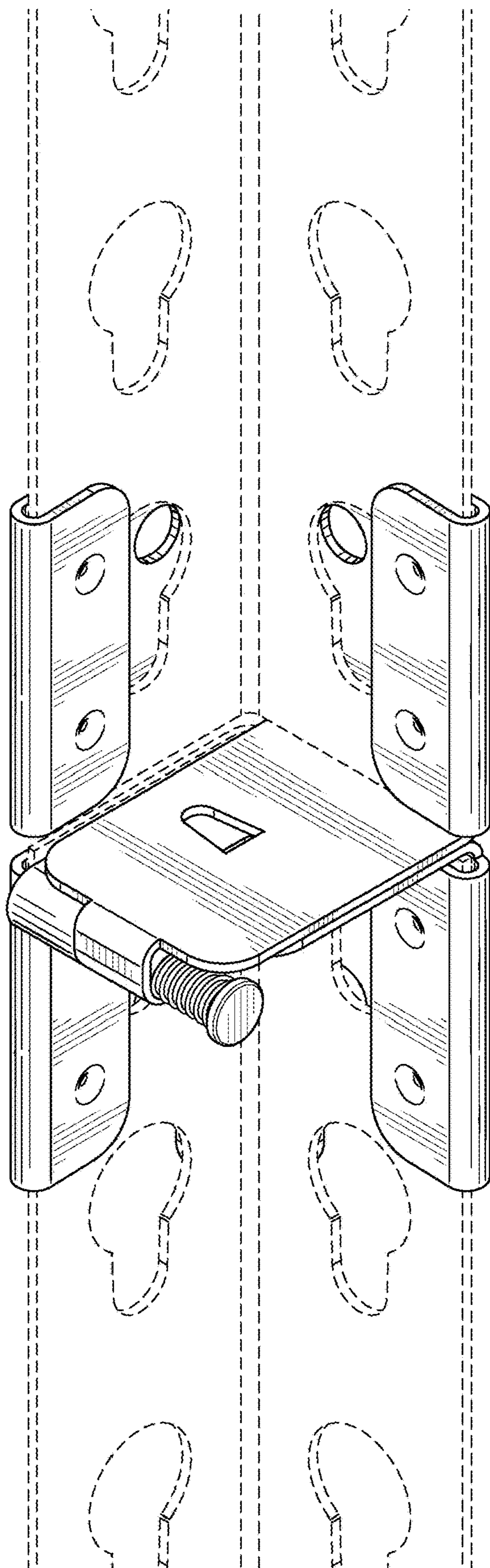


FIG. 1

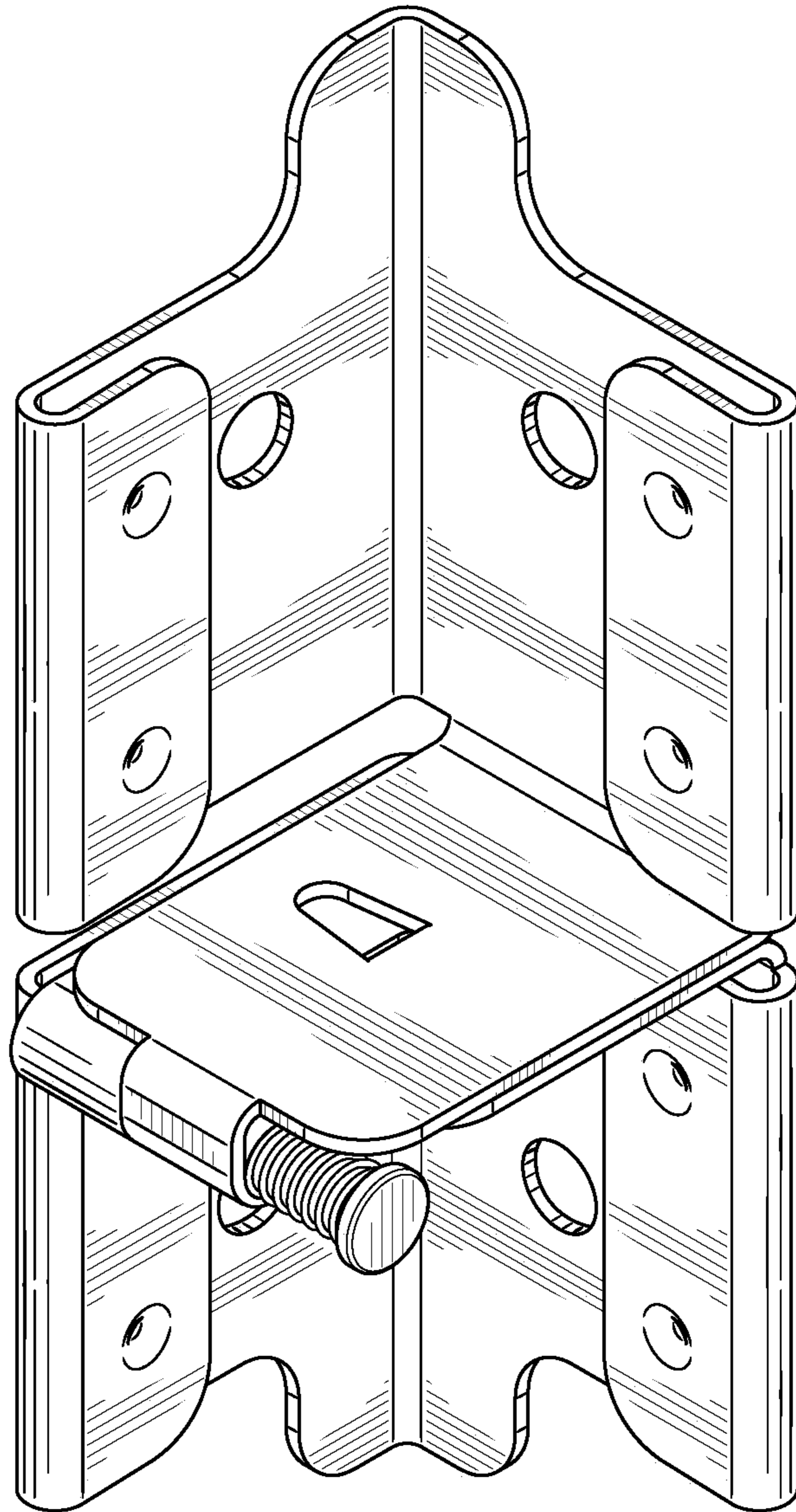


FIG. 2

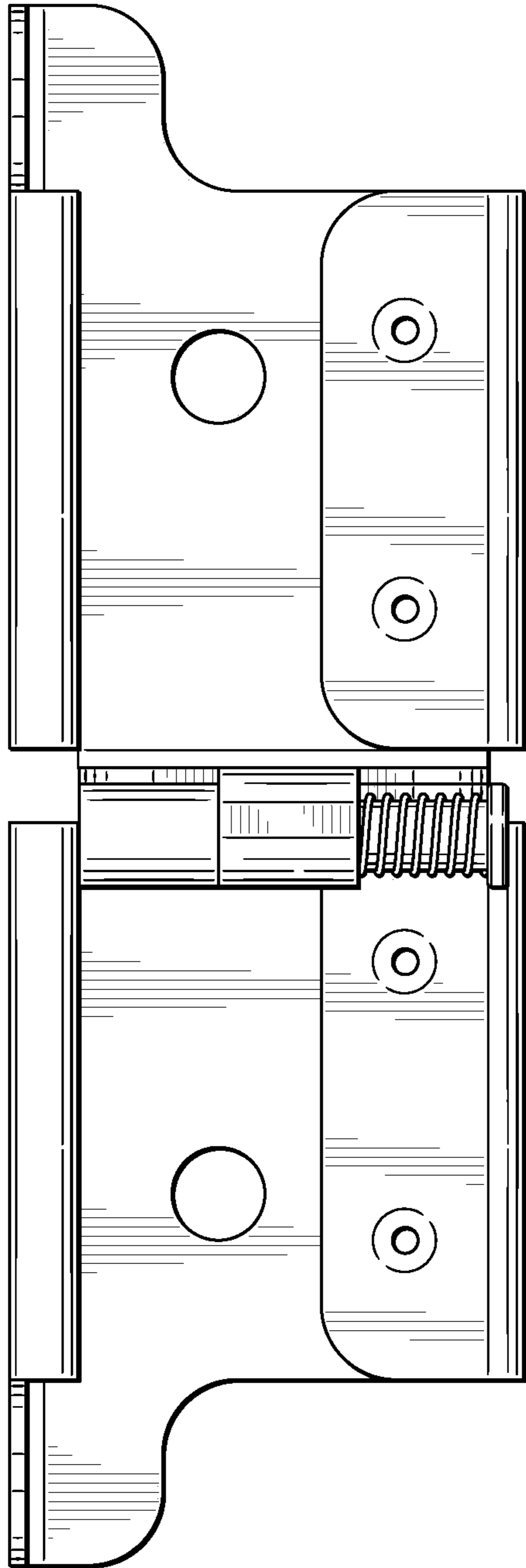


FIG. 3

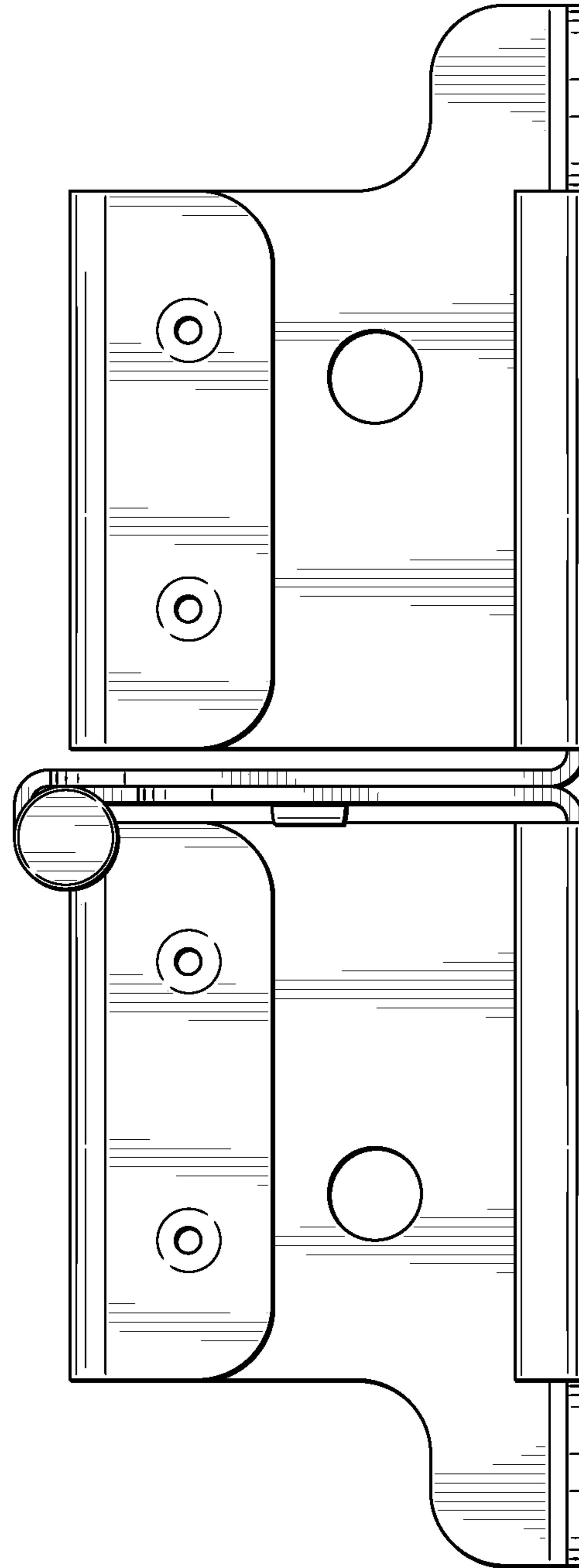


FIG. 4

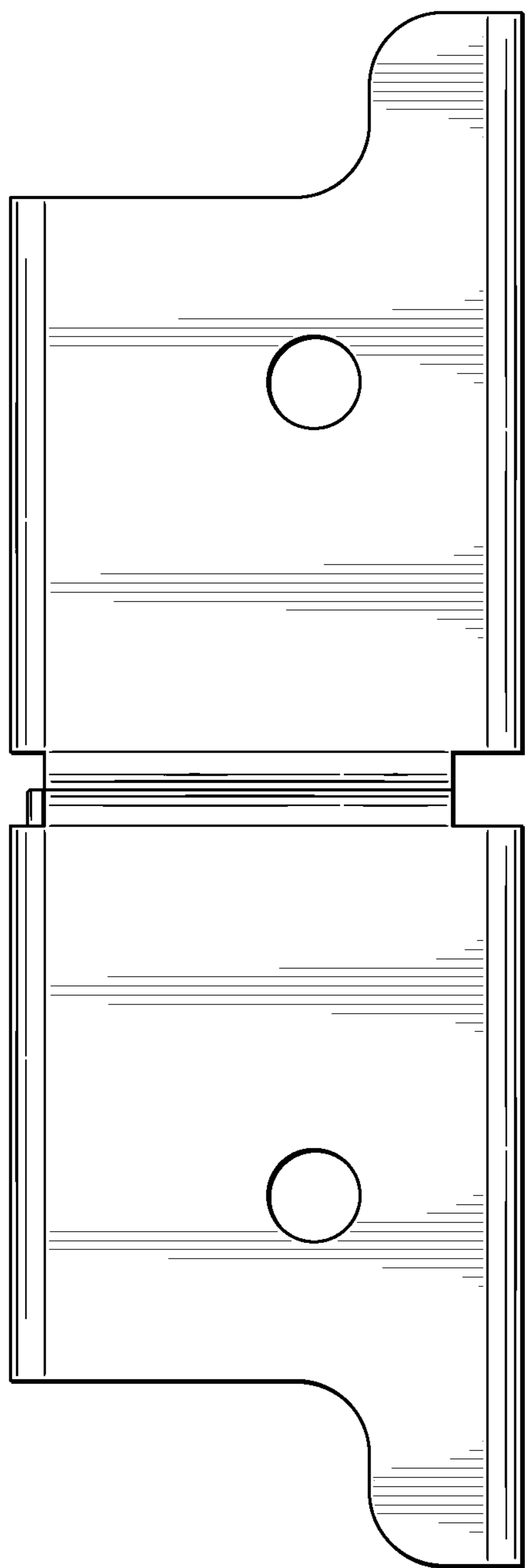


FIG. 5

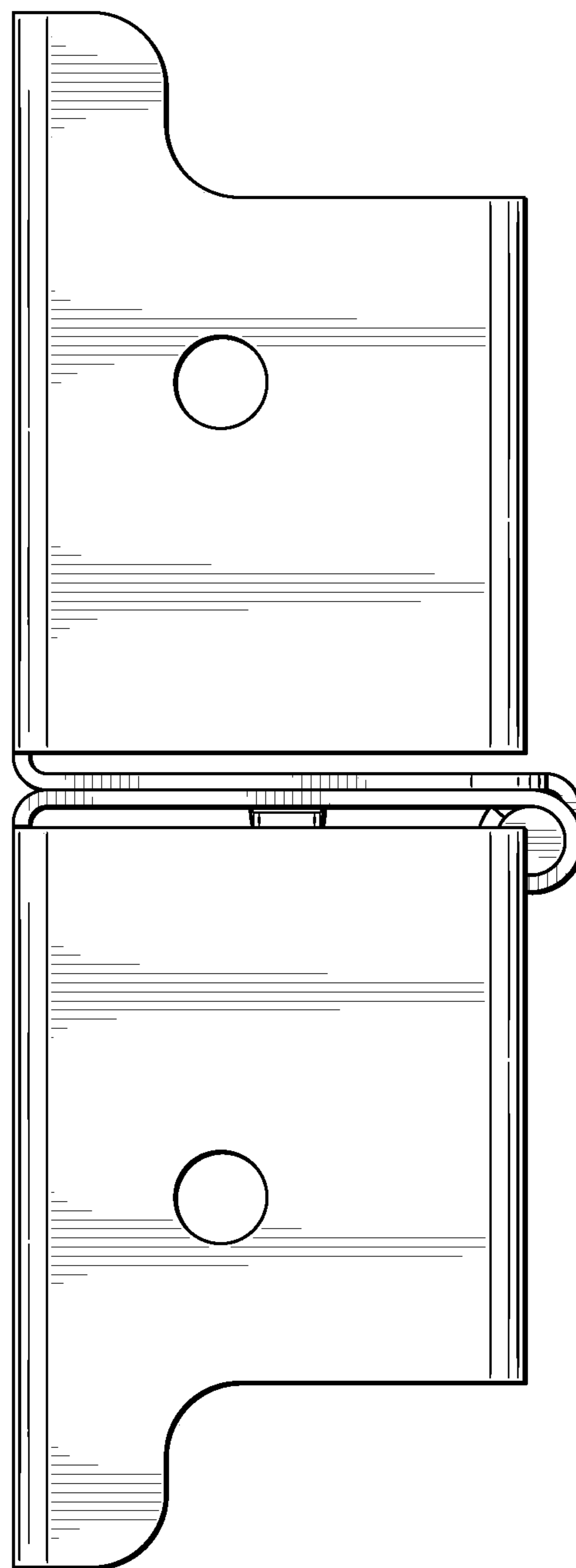


FIG. 6

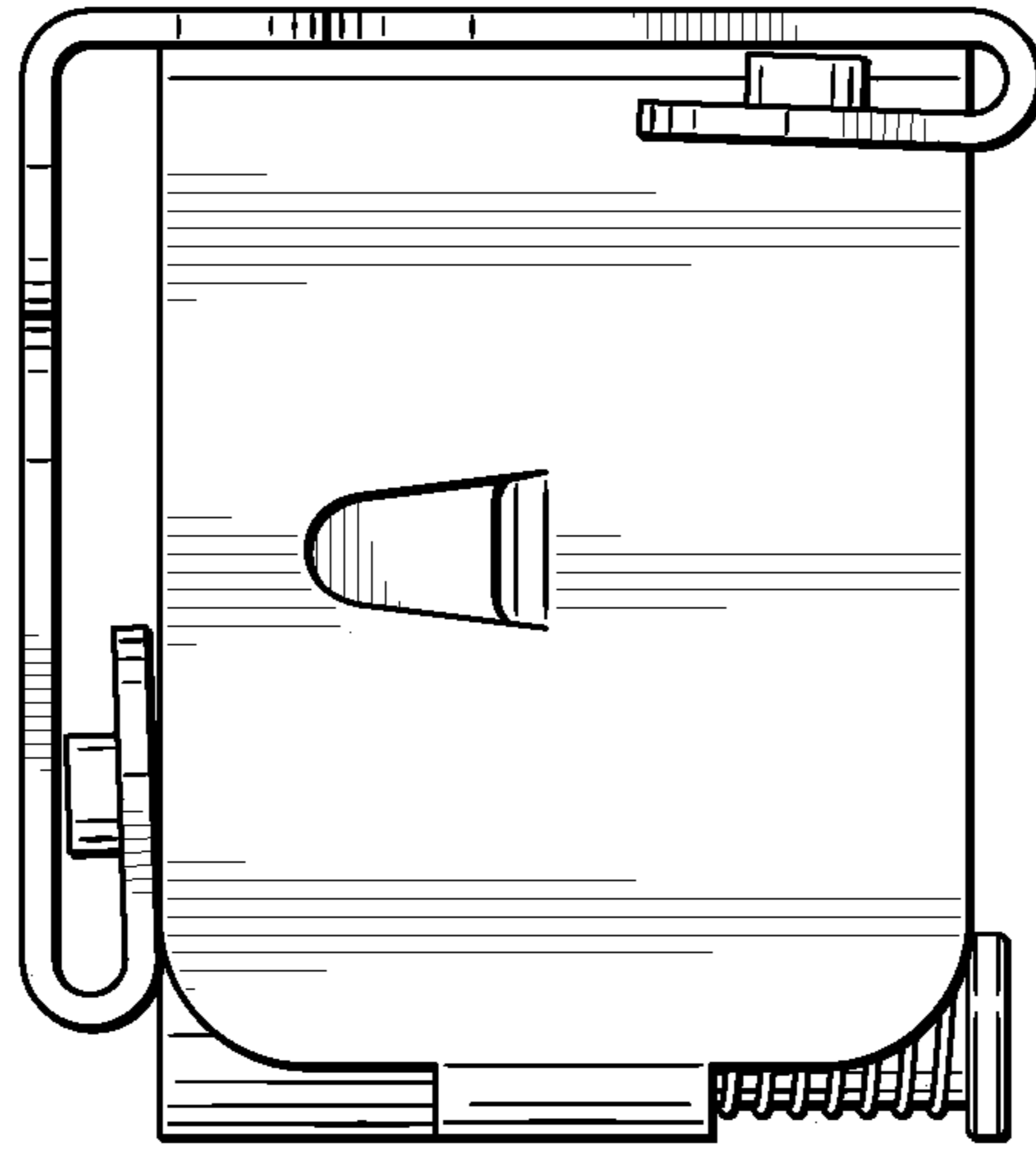


FIG. 7

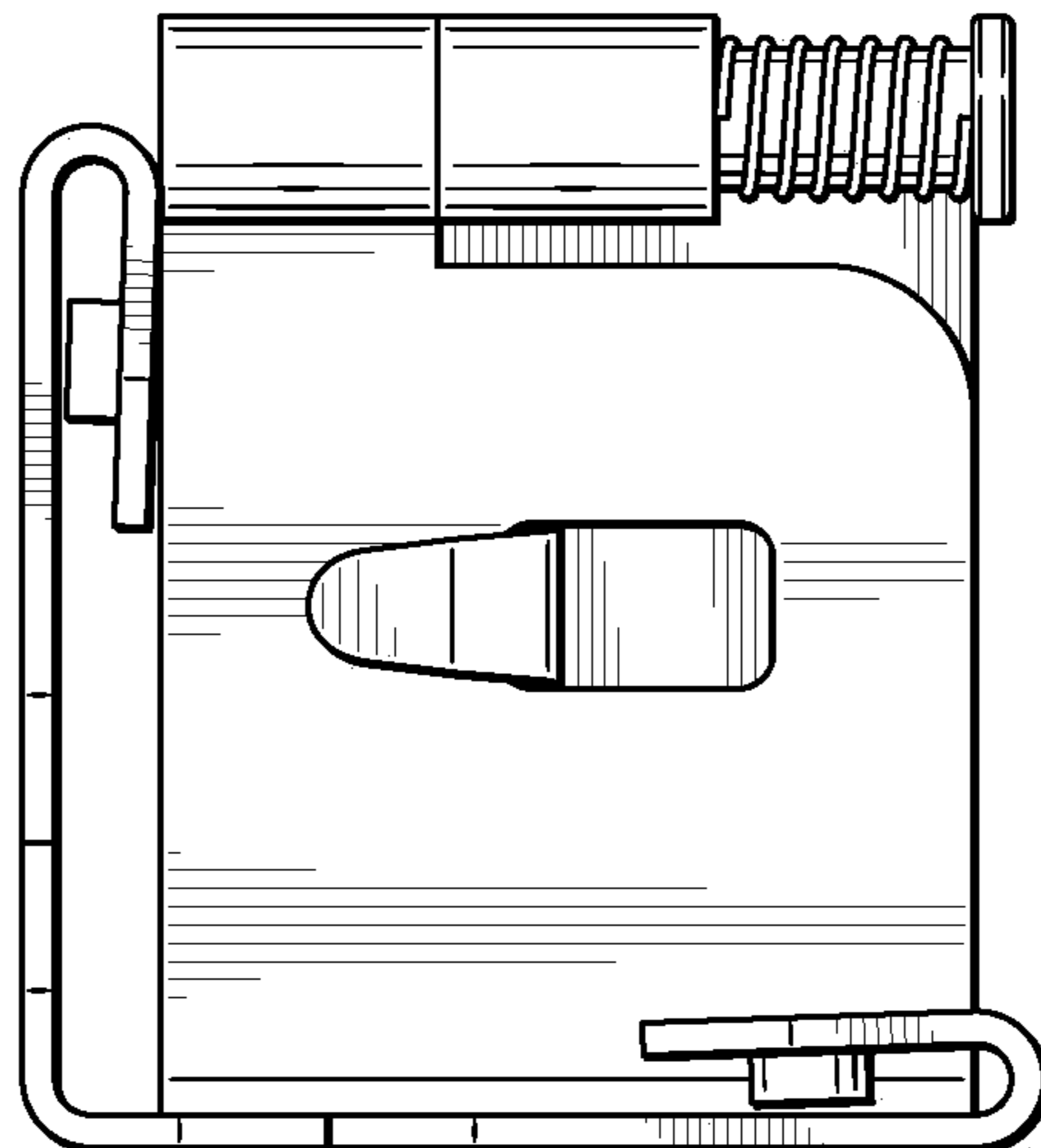


FIG. 8

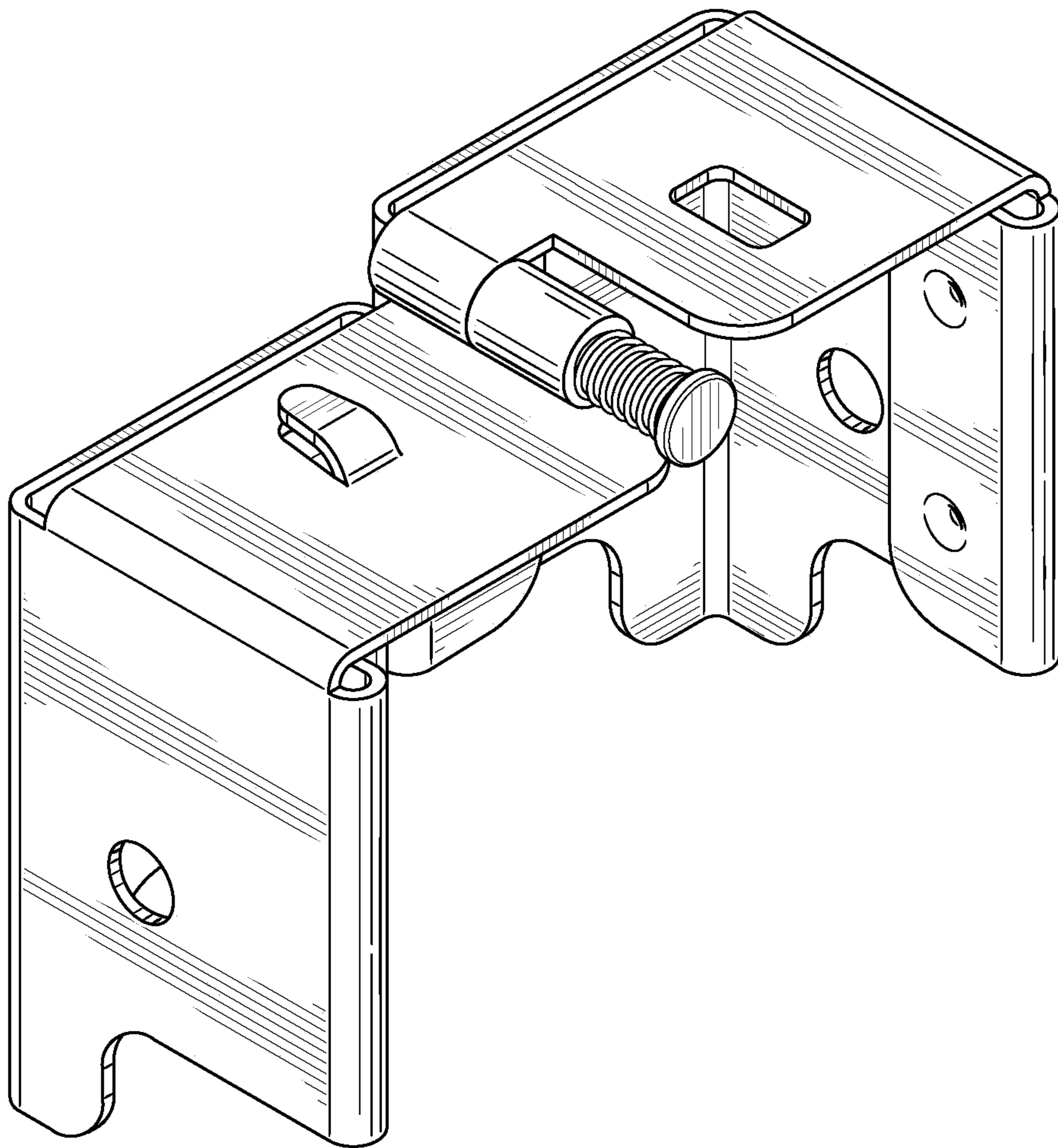


FIG. 9