



US00D949000S

(12) **United States Design Patent**
Qiao et al.

(10) **Patent No.:** **US D949,000 S**
(45) **Date of Patent:** **** Apr. 19, 2022**

(54) **CLIP FOR A LAMP**

(71) Applicant: **HUACAI (SHENZHEN)**
OPTO-ELECTRONICS CO., LTD,
Shenzhen (CN)

(72) Inventors: **Huajian Qiao**, Shenzhen (CN);
Huaming Shen, Shenzhen (CN)

(73) Assignee: **HUACAI OPTO-ELECTRONICS**
CO., LTD (YANGZHOU), Shenzhen
(CN)

(**) Term: **15 Years**

(21) Appl. No.: **29/718,051**

(22) Filed: **Dec. 20, 2019**

(30) **Foreign Application Priority Data**

Nov. 29, 2019 (CN) 201930666052.6

(51) **LOC (13) Cl.** **08-08**

(52) **U.S. Cl.**
USPC **D8/394**

(58) **Field of Classification Search**
USPC D8/72-73, 367, 394-396; D23/259, 269;
D24/155; D26/60
CPC H01R 13/639; F16B 45/02; F16B 2/06;
A61F 5/448; F16L 33/06; F16L 37/00;
F16L 23/06; F21V 33/00
See application file for complete search history.

(56) **References Cited**

U.S. PATENT DOCUMENTS

3,683,168 A * 8/1972 Tatje F21L 4/005
362/105
3,956,701 A * 5/1976 James, Jr. G08B 3/1058
343/702
D257,470 S * 10/1980 Ciecierski D22/145

D375,783 S * 11/1996 Galligan, III D22/145
D420,569 S * 2/2000 Evans D8/382
D432,404 S * 10/2000 Garfinkle D8/395

(Continued)

OTHER PUBLICATIONS

Locking Move Clip Kit, Porclipusa website 2021, site visited Aug. 14, 2021, <https://www.proclipusa.com/product/locking-move-clip-kit-for-holders-without-tilt-swivels>.*

Primary Examiner — John R Yeh

(74) *Attorney, Agent, or Firm* — Fish IP Law, LLP

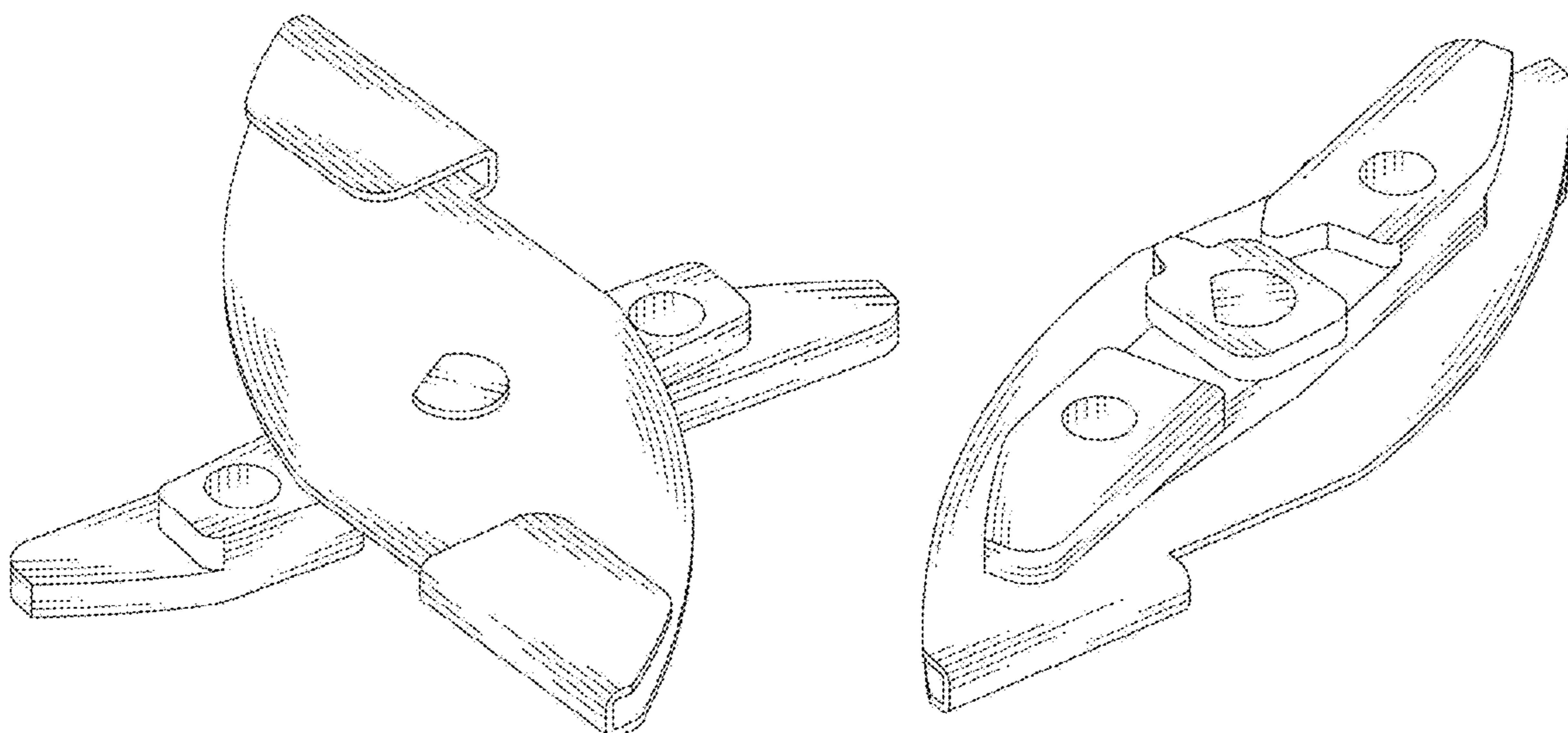
(57) **CLAIM**

The ornamental design for a clip for lamp, as shown and described.

DESCRIPTION

FIG. 1 is a front view of a clip for the lamp shown in the first state, in which the clip is not connected to the lamp;
FIG. 2 is a rear view thereof;
FIG. 3 is a left side view thereof;
FIG. 4 is a right side view thereof;
FIG. 5 is a top side view thereof;
FIG. 6 is a bottom side view thereof;
FIG. 7 is an isometric view of front top and left side thereof;
FIG. 8 is an isometric view of rear top and left side thereof;
FIG. 9 is a front view of a clip for the lamp of FIGS. 1-7, shown in the second state, in which the clip is connected to the lamp;
FIG. 10 is a rear view thereof;
FIG. 11 is a left side view thereof;
FIG. 12 is a right side view thereof;
FIG. 13 is a top side view thereof;
FIG. 14 is a bottom side view thereof;
FIG. 15 is an isometric view of front top and left side thereof; and,
FIG. 16 is an isometric view of rear top and left side thereof.

1 Claim, 12 Drawing Sheets



(56)

References Cited

U.S. PATENT DOCUMENTS

6,913,174 B1 * 7/2005 Harvey A45F 5/02
224/197
D522,350 S * 6/2006 Taylor D24/110
D576,758 S * 9/2008 Wang D26/60
D739,221 S * 9/2015 Sendra-Gonzalez ... F24S 25/30
D8/394
D757,215 S * 5/2016 Gehrung D23/226
D826,023 S * 8/2018 Chun D8/72
D896,423 S * 9/2020 Yang D26/60
10,786,050 B2 * 9/2020 Ichikawa A44B 17/0011
D909,859 S * 2/2021 Tekunoff D8/394
D910,736 S * 2/2021 Matsuura D16/219
D922,186 S * 6/2021 Schneider D8/394
D937,078 S * 11/2021 Watson D8/394
2009/0229292 A1 * 9/2009 Sweeney A45F 5/02
62/259.3
2017/0159929 A1 * 6/2017 Li F21V 21/32
2018/0184766 A1 * 7/2018 Azab A44B 17/0029
2020/0258445 A1 * 8/2020 Gess F21V 23/007

* cited by examiner

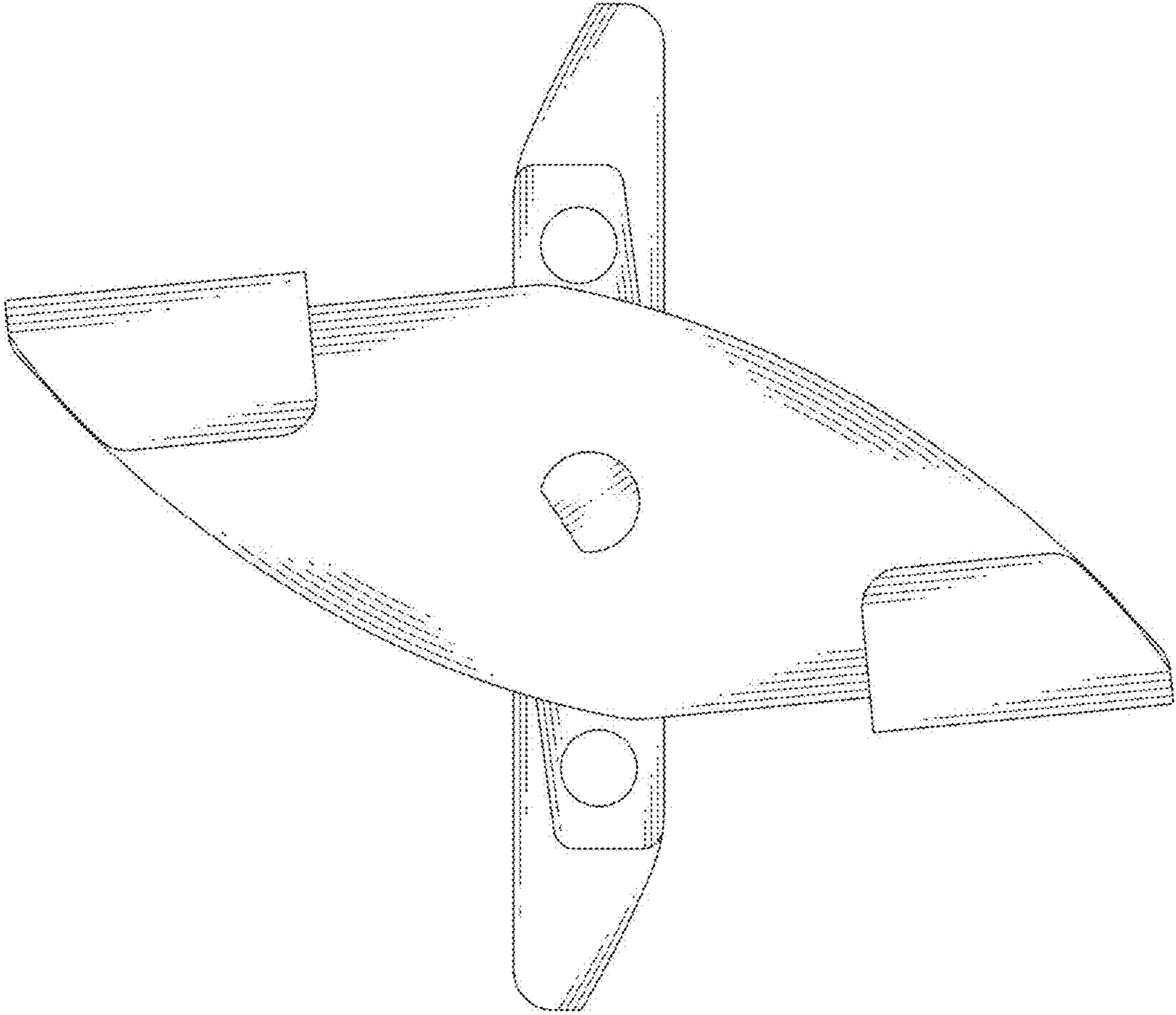


FIG. 1

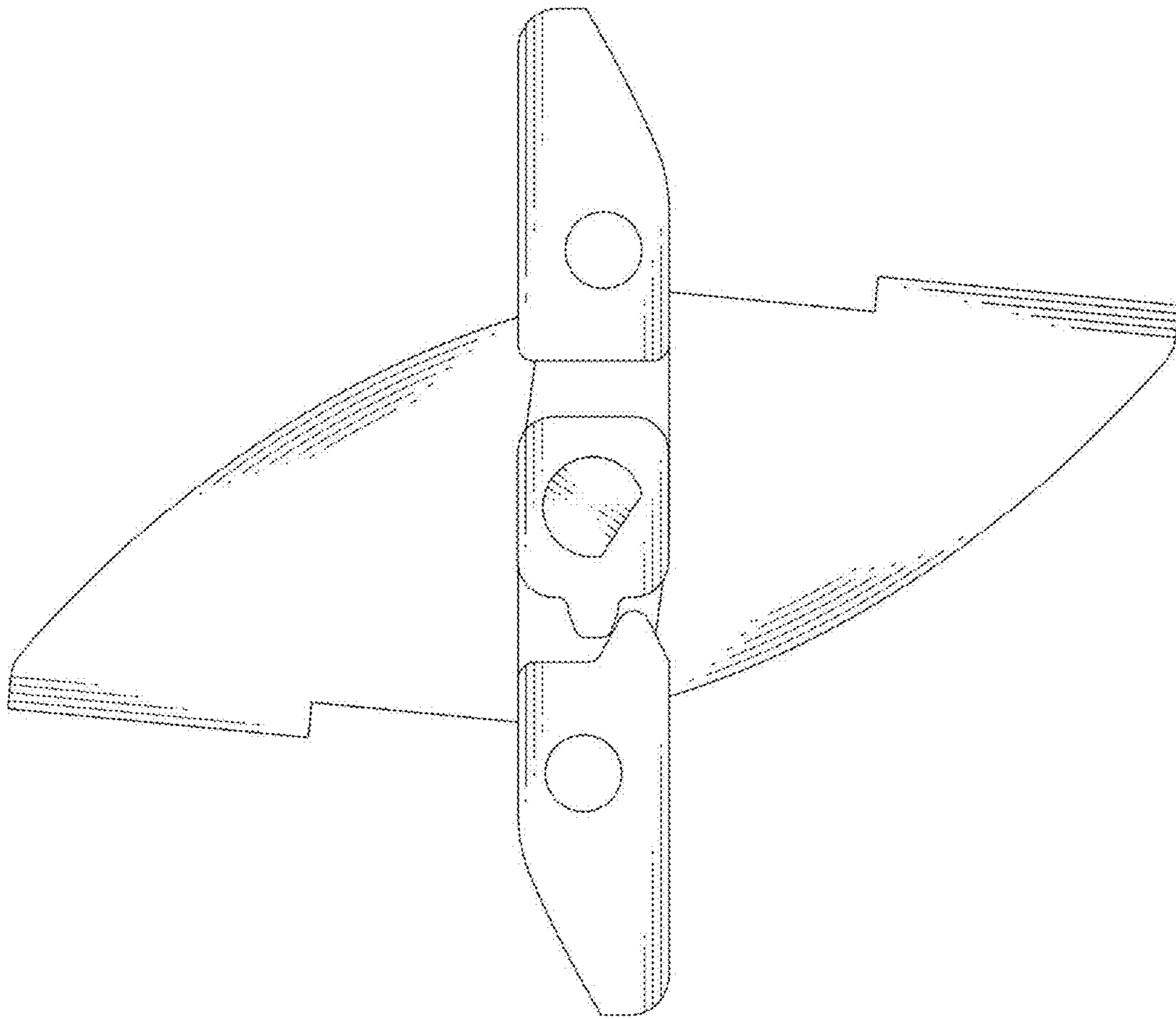


FIG. 2

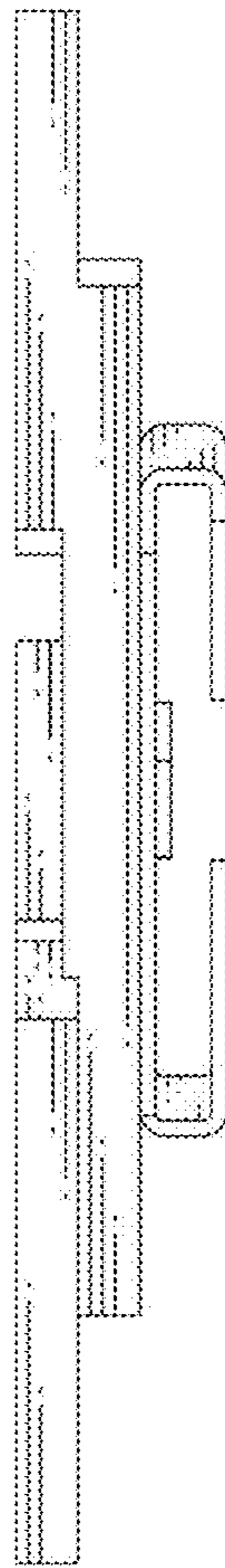


FIG. 3

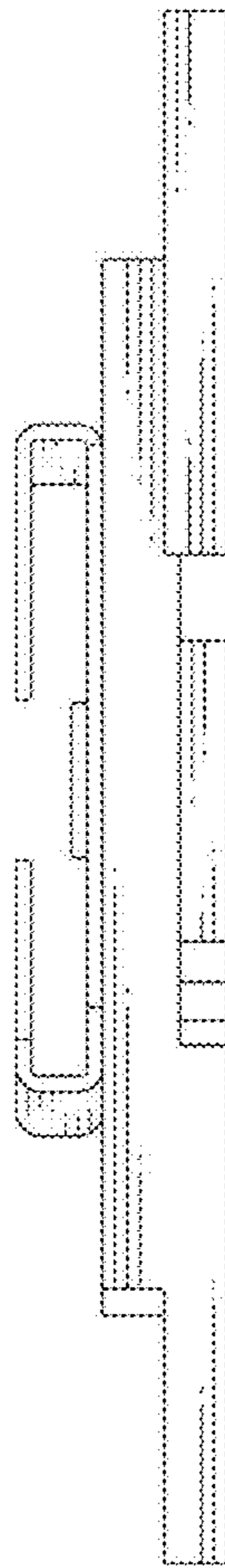


FIG. 4

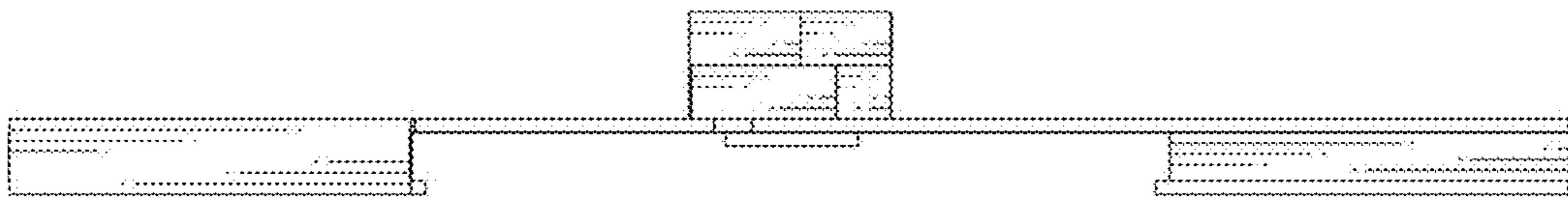


FIG. 5

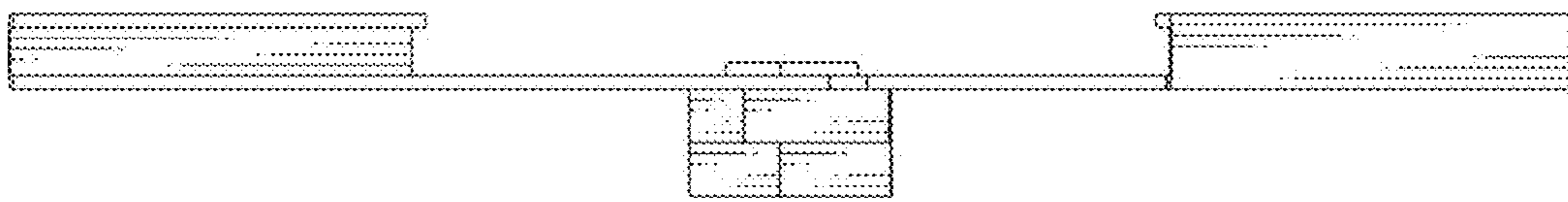


FIG. 6

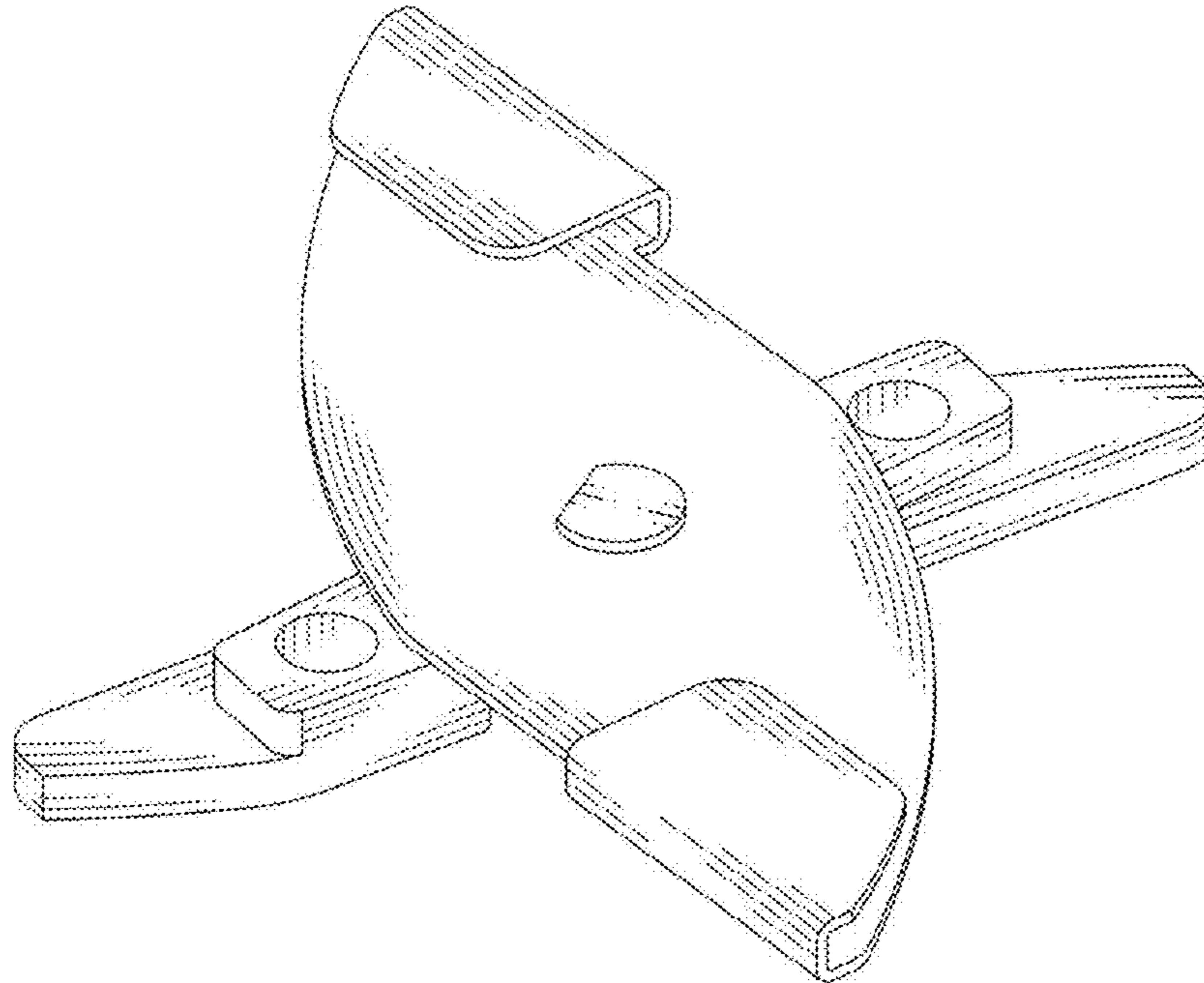


FIG. 7

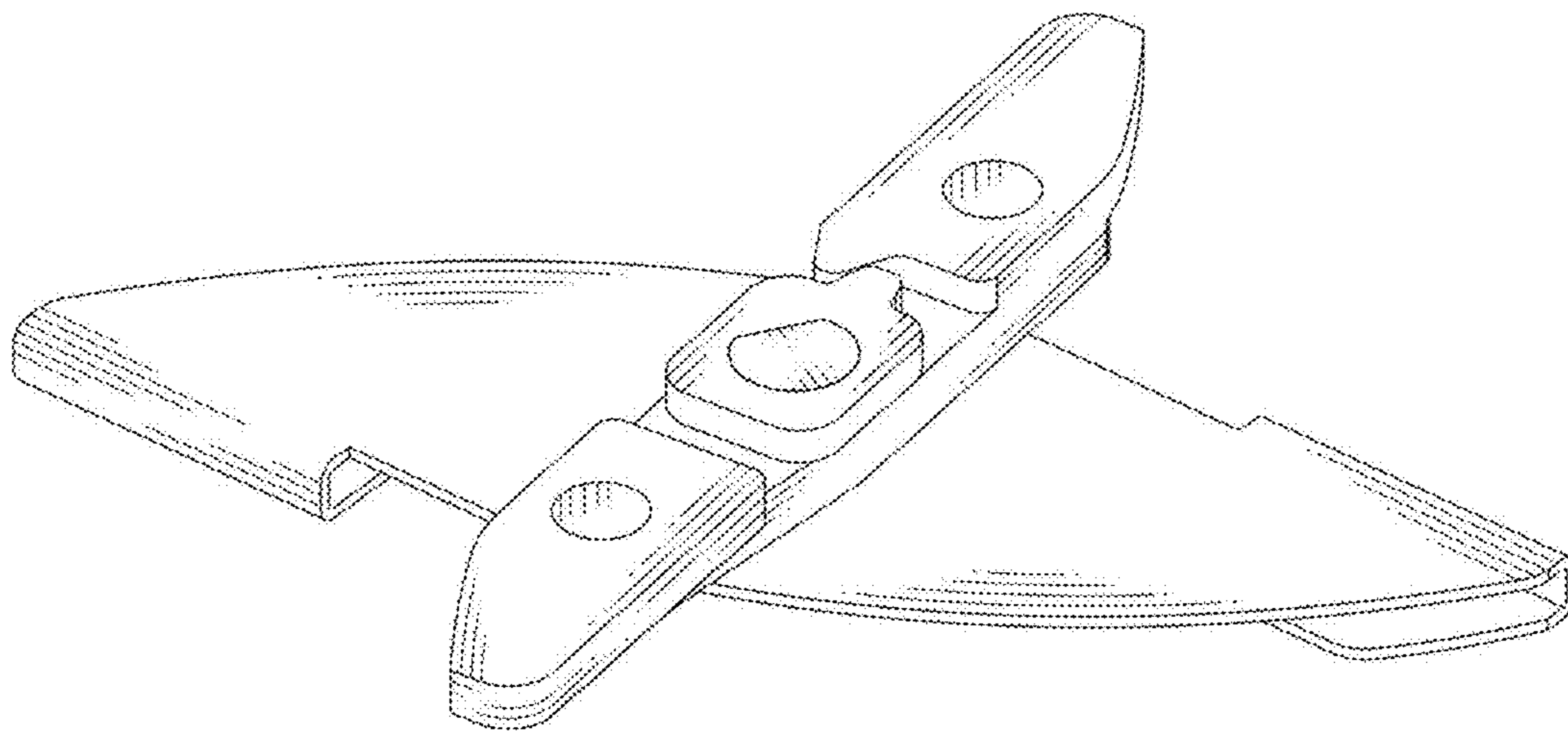


FIG. 8

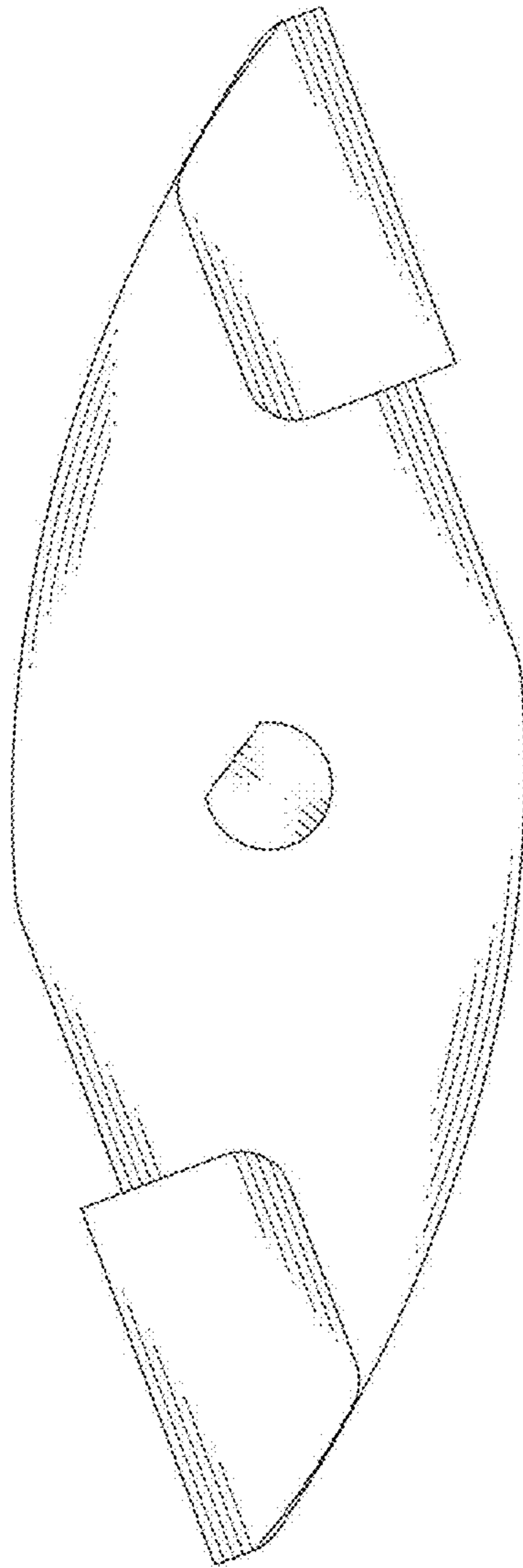


FIG. 9

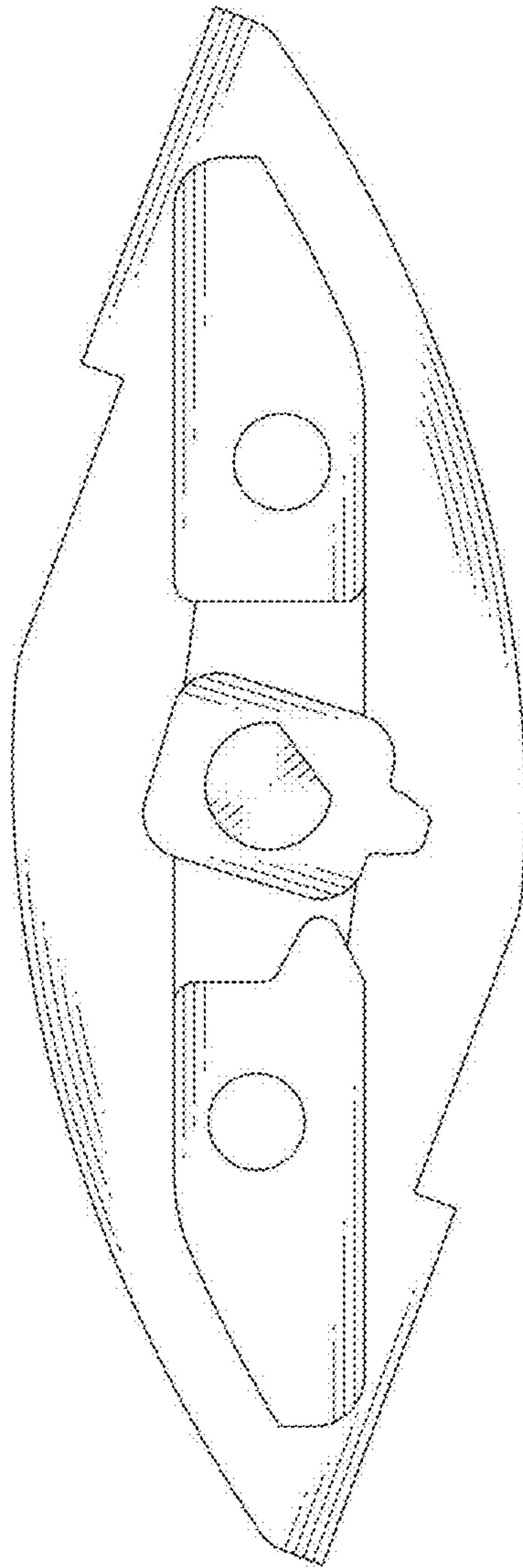


FIG. 10

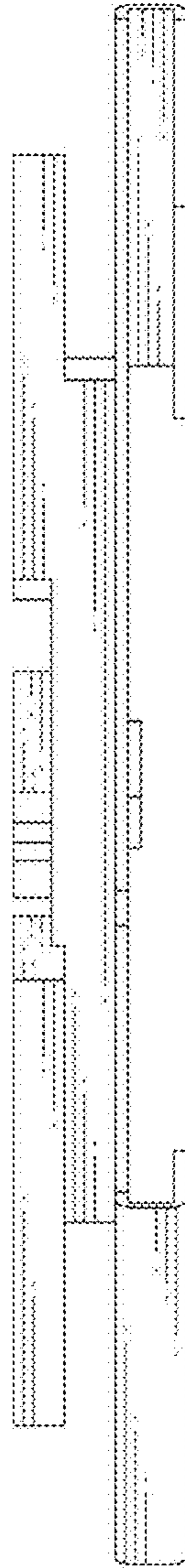


FIG. 11

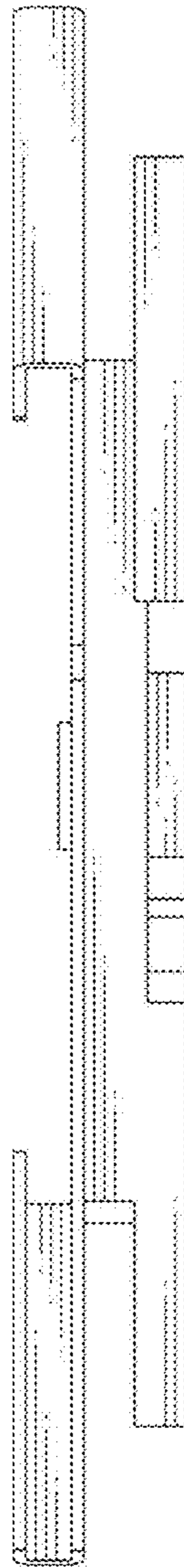


FIG. 12

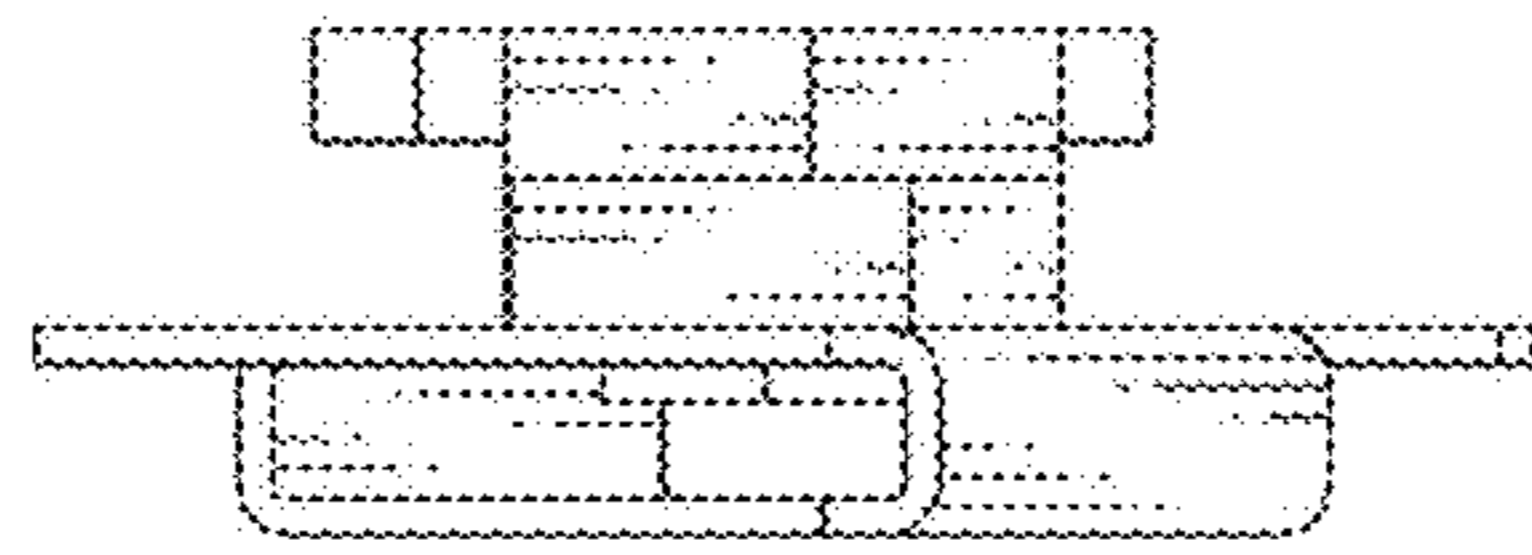


FIG. 13

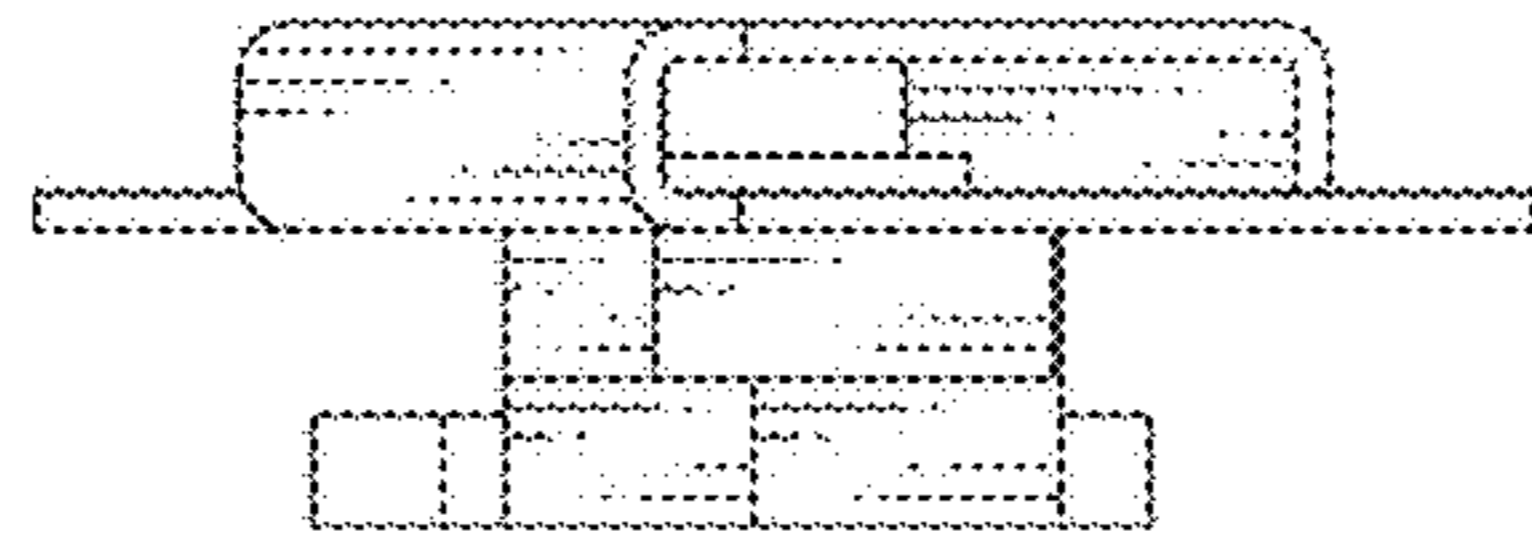


FIG. 14

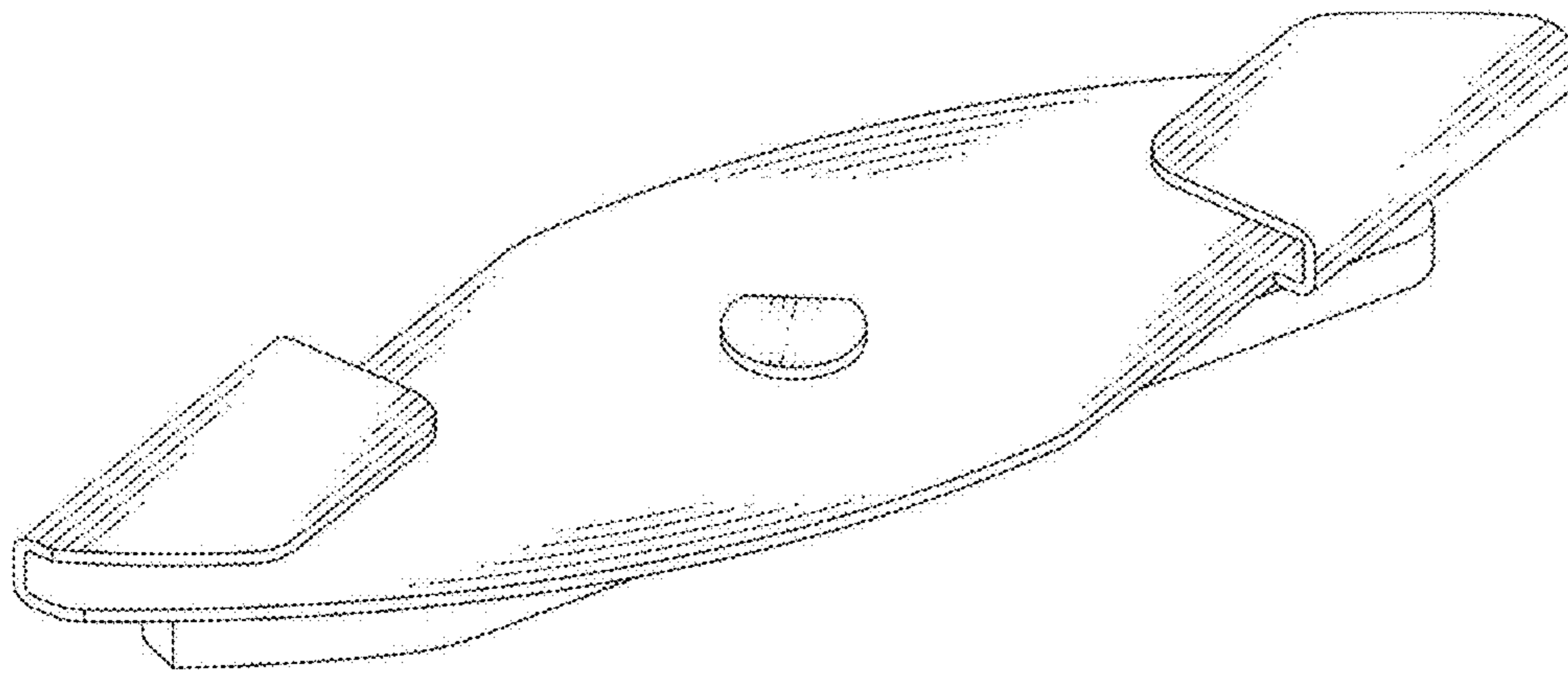


FIG. 15

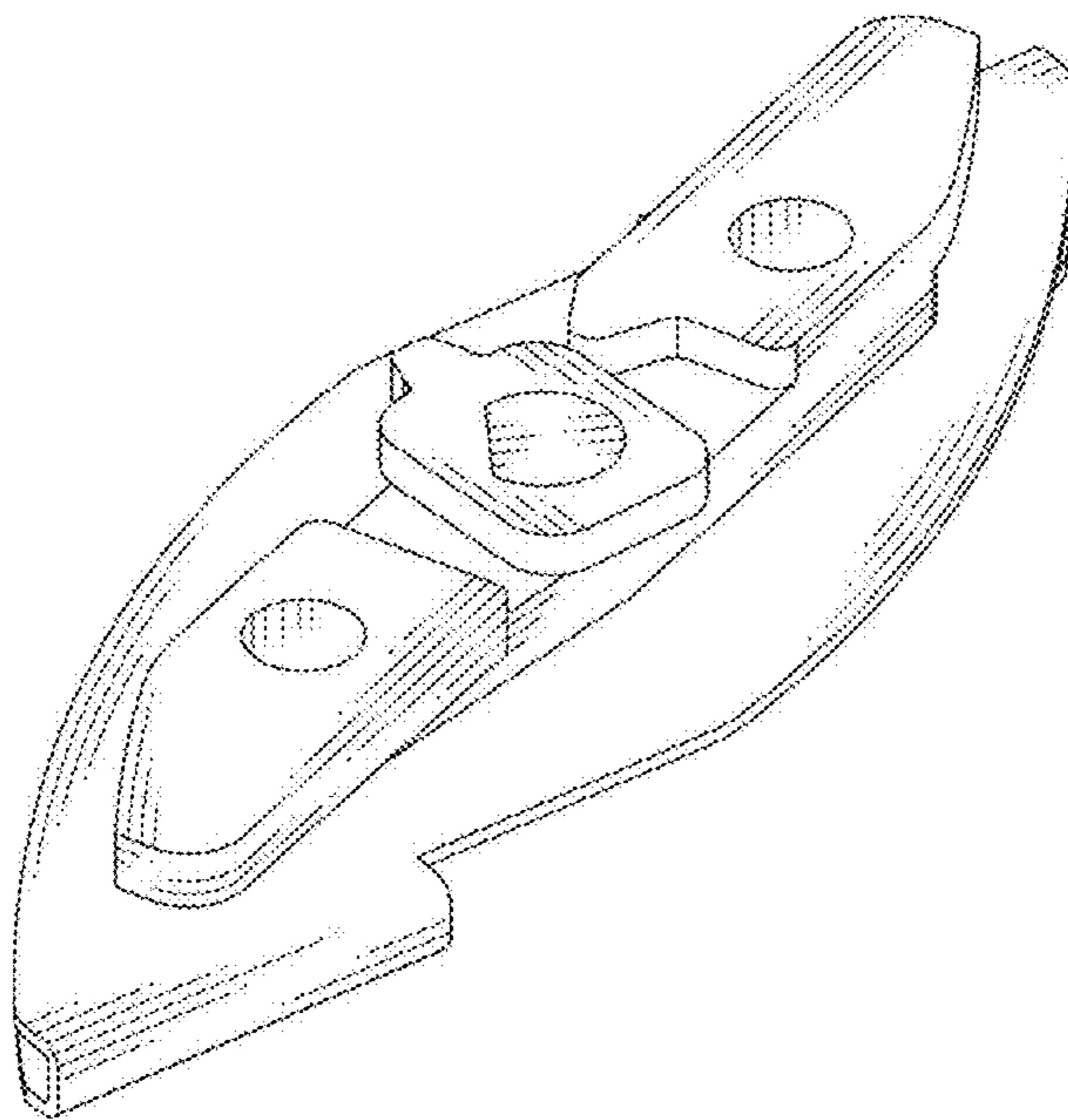


FIG. 16

UNITED STATES PATENT AND TRADEMARK OFFICE
CERTIFICATE OF CORRECTION

PATENT NO. : D949,000 S
APPLICATION NO. : 29/718051
DATED : April 19, 2022
INVENTOR(S) : Qiao et al.

Page 1 of 1

It is certified that error appears in the above-identified patent and that said Letters Patent is hereby corrected as shown below:

On the Title Page

Item [71], delete “Huacai (Shenzen) Opto-Electronics Co., LTD” and insert --Huacai (Yangzhou)
Opto-Electronics Co., LTD--

Signed and Sealed this
Twenty-ninth Day of November, 2022



Katherine Kelly Vidal
Director of the United States Patent and Trademark Office