

US00D948999S

(12) **United States Design Patent** (10) **Patent No.:** **US D948,999 S**  
**Davis** (45) **Date of Patent:** **\*\* Apr. 19, 2022**

(54) **POCKET TAPE RULE HOLDER ASSEMBLY**

(71) Applicant: **Stephen Alan Davis**, Des Moines, IA (US)

(72) Inventor: **Stephen Alan Davis**, Des Moines, IA (US)

(\*\*) Term: **15 Years**

(21) Appl. No.: **29/690,437**

(22) Filed: **May 8, 2019**

D668,936 S \* 10/2012 Wyatt ..... D8/367  
D769,107 S \* 10/2016 McLaren Hall ..... D8/373  
9,808,074 B2 \* 11/2017 Kinskey ..... A45F 5/021  
10,070,713 B1 \* 9/2018 Carver ..... A45F 5/022  
D830,157 S \* 10/2018 Kreinbrink ..... D8/373  
D833,262 S \* 11/2018 Royak ..... D8/373  
10,182,641 B1 \* 1/2019 Goodman ..... A45F 5/021  
D874,252 S \* 2/2020 Eremita ..... D8/394  
D874,253 S \* 2/2020 Eremita ..... D8/394  
D874,254 S \* 2/2020 Eremita ..... D8/394  
2004/0065709 A1 4/2004 Dillenberger  
2005/0133561 A1 6/2005 Kimball  
2007/0170220 A1 7/2007 Fragassi, III  
2007/0180726 A1 8/2007 Harrell

(Continued)

**Related U.S. Application Data**

(63) Continuation of application No. 13/971,710, filed on Aug. 20, 2013, now Pat. No. 10,306,974, which is a continuation of application No. 12/635,654, filed on Dec. 10, 2009, now abandoned.

(51) **LOC (13) Cl.** ..... **08-08**

(52) **U.S. Cl.**  
USPC ..... **D8/394**

(58) **Field of Classification Search**  
USPC ..... D8/354, 366, 371, 372, 367, 374, 373, D8/376, 375, 16, 19, 45, 380, 381, 394, D8/71  
CPC ..... E01F 9/688; E01F 9/627; E01F 9/65  
See application file for complete search history.

(56) **References Cited**

**U.S. PATENT DOCUMENTS**

3,091,378 A 5/1963 O'Dwyer  
3,937,373 A 2/1976 Artz  
4,598,027 A 7/1986 Johnson  
5,025,966 A 6/1991 Potter  
5,123,525 A 6/1992 Orłowski  
5,758,807 A 6/1998 Wright  
6,824,028 B2 11/2004 Mutai et al.  
7,077,303 B2 7/2006 Zega

*Primary Examiner* — Eliza Z Bennett-Hattan

(74) *Attorney, Agent, or Firm* — McKee, Voorhees & Sease, PLC

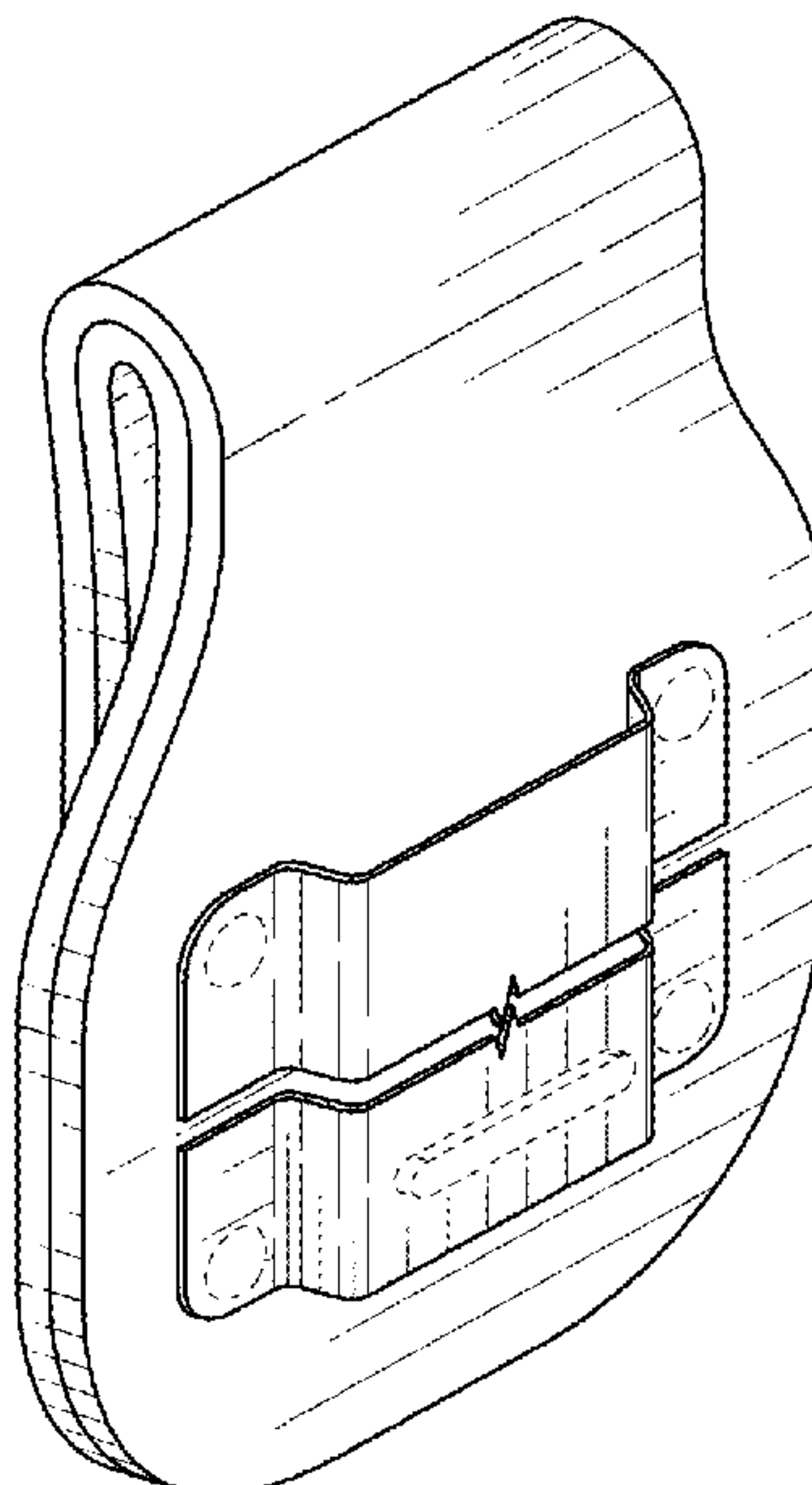
(57) **CLAIM**

I claim the ornamental design for a pocket tape rule holder assembly, as shown and described.

**DESCRIPTION**

FIG. 1 is a perspective view of the pocket holder assembly for a tape measure, according to the present invention. FIG. 2 is a front elevation view of the assembly. FIG. 3 is a rear elevation view of the assembly. FIG. 4 is an elevation view from one side of the assembly, with the opposite side being a mirror-image. FIG. 5 is a top plan view of the assembly; and, FIG. 6 is a bottom plan view of the assembly. The broken lines in the drawings are included for the purpose of illustrating subject matter that forms no part of the claimed design. No claim is made to a specific size or scale. The tool engaging member of the pocket rule holder assembly is shown with a symbolic break in its length. The appearance of any portion of the tool engaging member between the break lines forms no part of the claimed design.

**1 Claim, 3 Drawing Sheets**



(56)

**References Cited**

U.S. PATENT DOCUMENTS

2008/0179368 A1 7/2008 Williams  
2008/0302845 A1 12/2008 Blechman  
2011/0139837 A1\* 6/2011 Davis ..... A45F 5/021  
224/269  
2018/0184791 A1\* 7/2018 Davis ..... A45F 5/021

\* cited by examiner

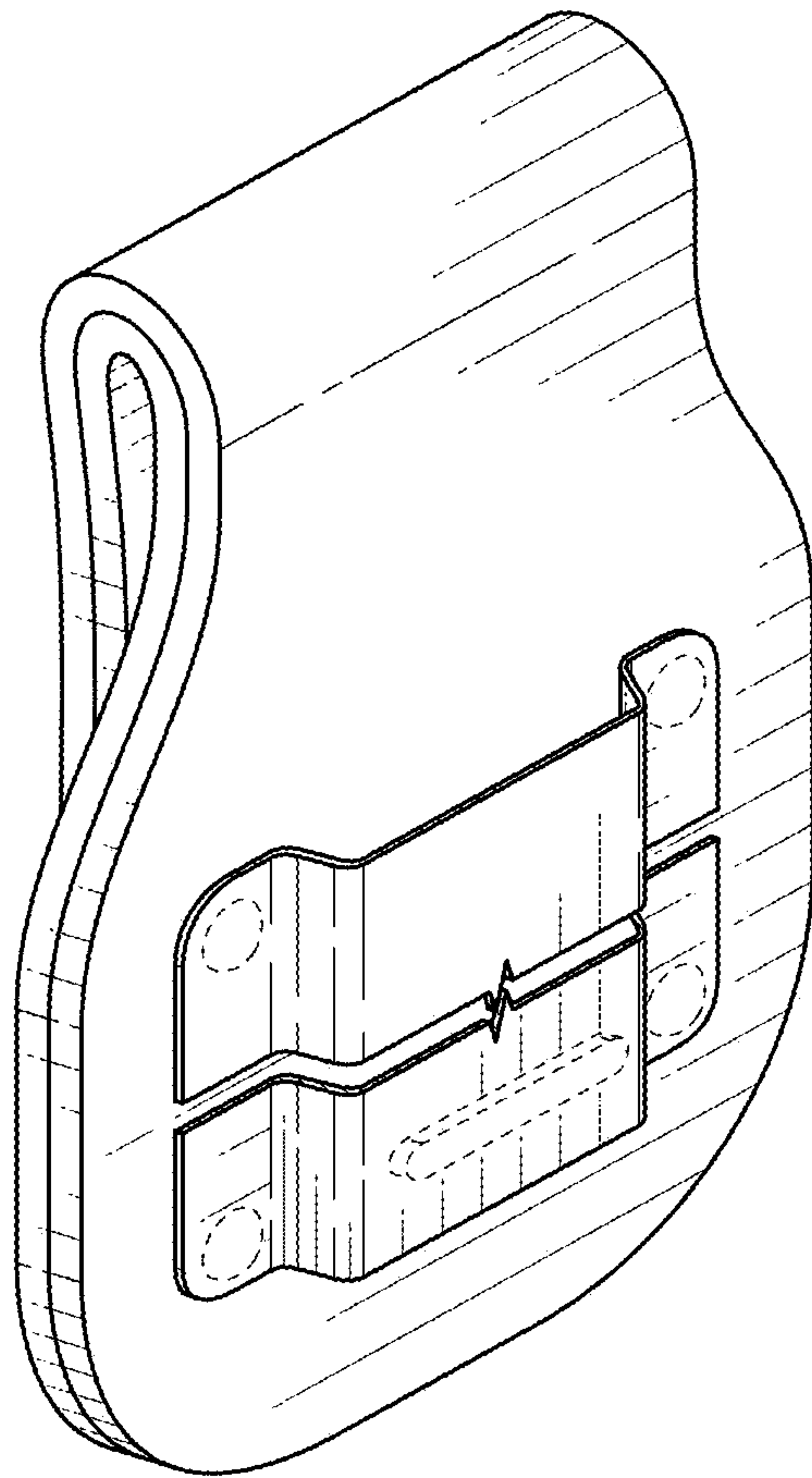


FIG. 1

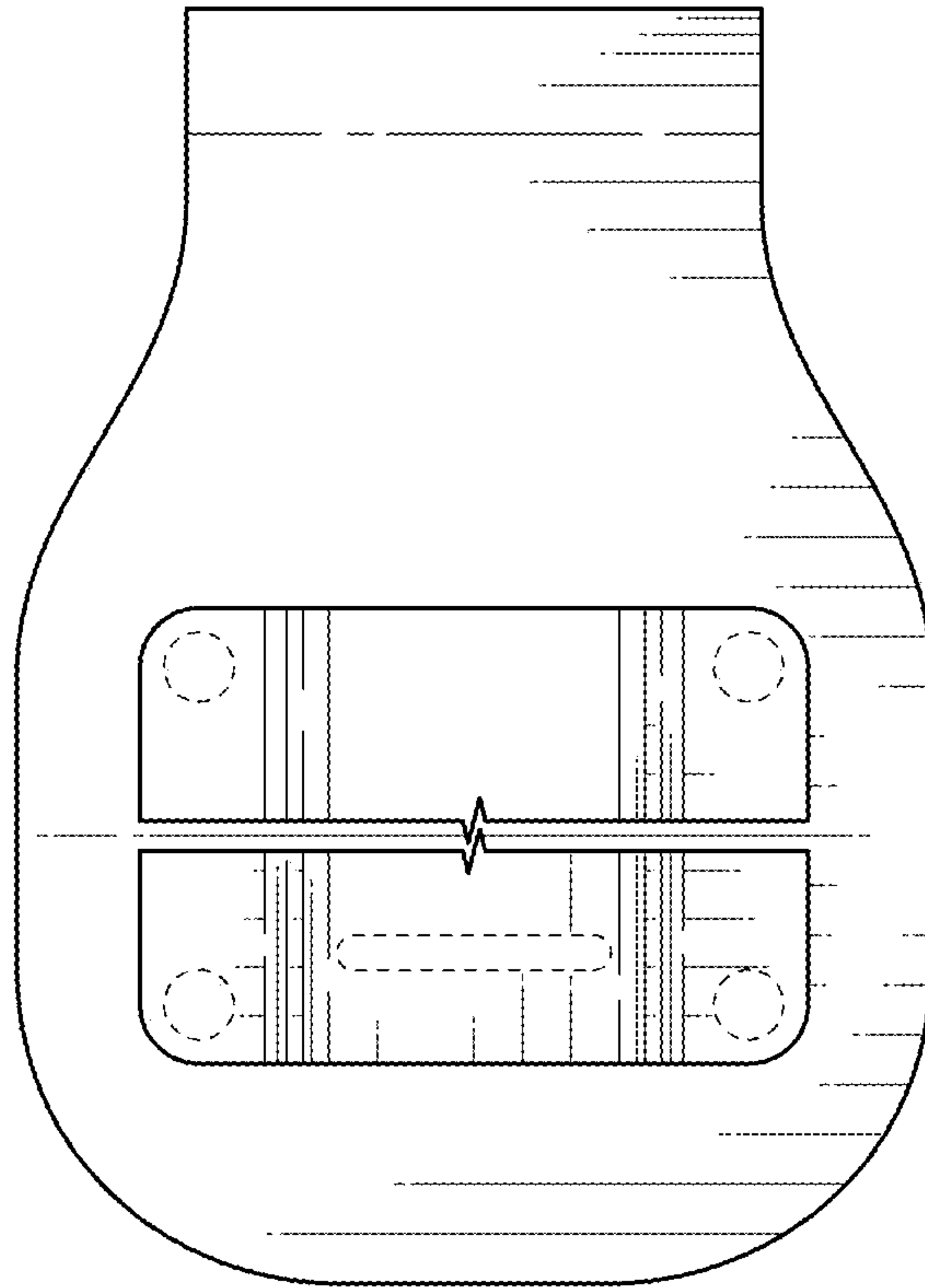


FIG. 2

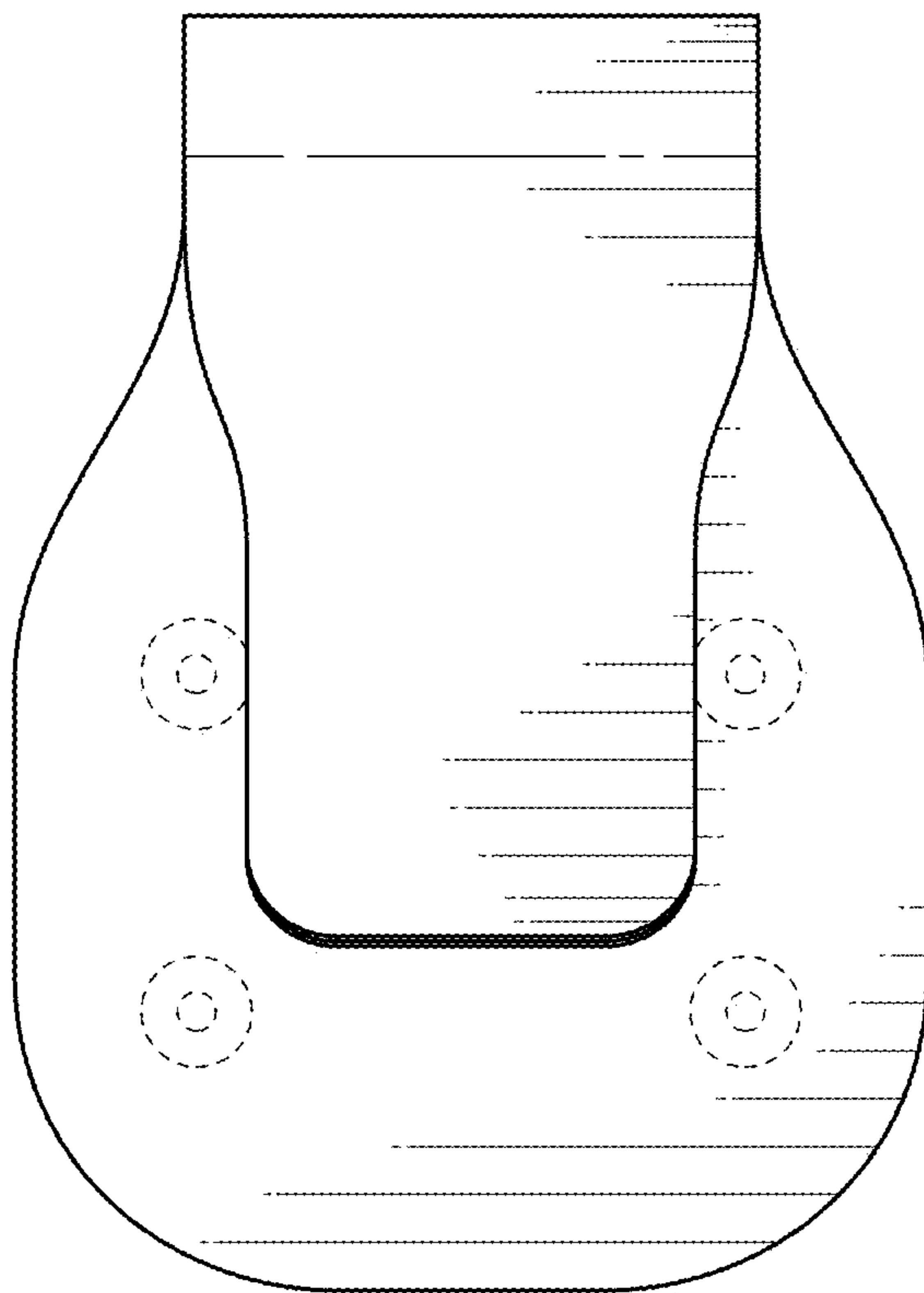


FIG. 3

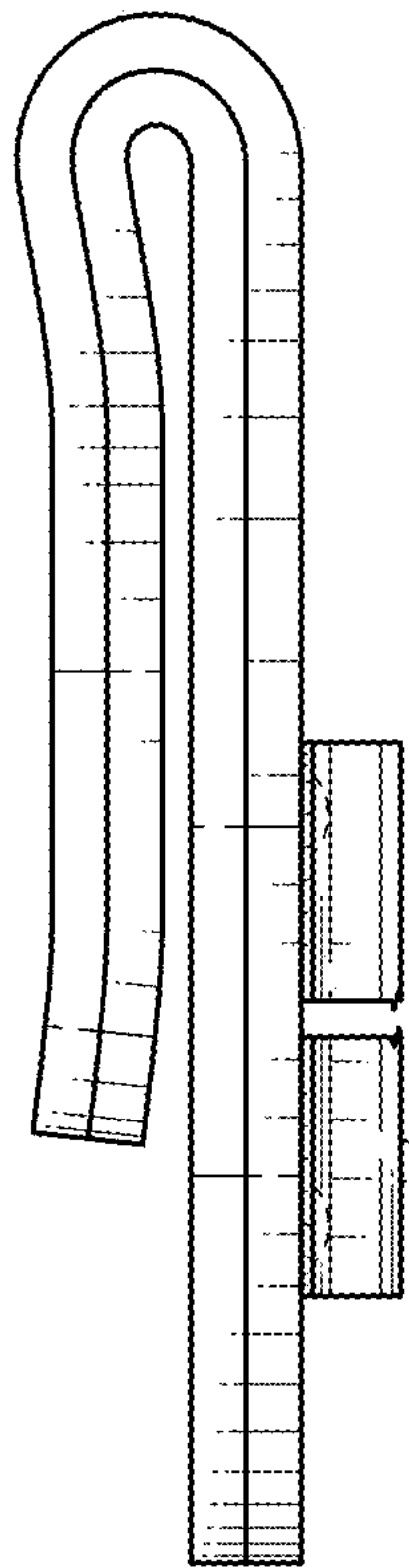


FIG. 4

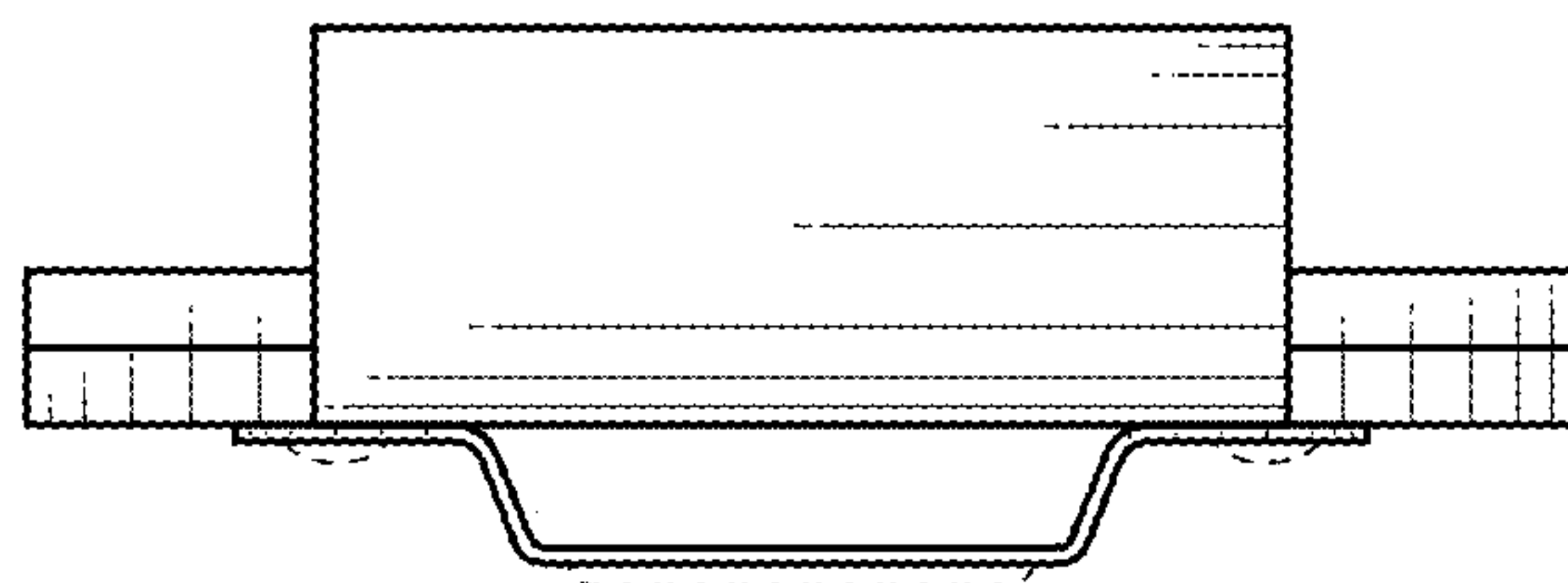


FIG. 5

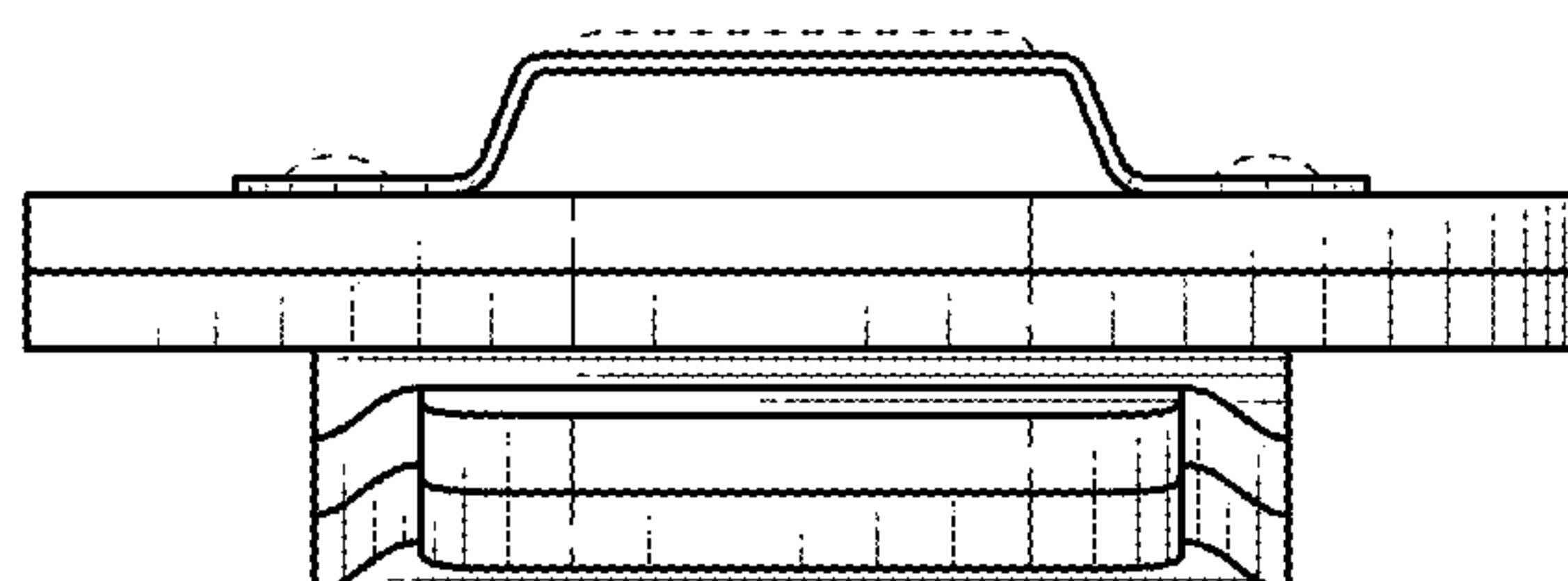


FIG. 6