



US00D948998S

(12) **United States Design Patent** (10) **Patent No.:** **US D948,998 S**
Noe (45) **Date of Patent:** **** Apr. 19, 2022**

(54) **TRACK FOR SCREEN MESH**
(71) Applicant: **RENAISSANCE PATIO PRODUCTS INC.**, Doral, FL (US)
(72) Inventor: **Christopher Noe**, Doral, FL (US)
(**) Term: **15 Years**
(21) Appl. No.: **29/744,495**

(22) Filed: **Jul. 29, 2020**
(51) **LOC (13) Cl.** **08-05**
(52) **U.S. Cl.**
USPC **D8/377; D25/119**
(58) **Field of Classification Search**
USPC D6/580; D8/376-377; D25/119
CPC A47H 1/04; A47H 2001/047; E06B 2009/527
See application file for complete search history.

(56) **References Cited**

U.S. PATENT DOCUMENTS

D243,677 S *	3/1977	Dallaire	D25/124
D299,868 S *	2/1989	Fortier	D25/119
D358,982 S *	6/1995	Bosgoed	D25/122
D374,650 S *	10/1996	Shermeto	D12/223
D381,890 S *	8/1997	Levy	D8/377
D426,320 S *	6/2000	Andres	D25/122
D495,592 S *	9/2004	Mausar	D8/377
D558,569 S *	1/2008	Hanley	A47K 3/34
				D8/400
D584,472 S *	1/2009	Campbell	D34/29
8,484,926 B1 *	7/2013	Caruso	E06B 9/52
				52/656.7
D715,629 S *	10/2014	Grubb	D8/377
D737,671 S *	9/2015	Chou	D8/376
D755,041 S *	5/2016	Weldon	D8/377
D810,553 S *	2/2018	Amato	D8/377
D811,204 S *	2/2018	Weldon	D8/377
D850,652 S *	6/2019	Altieri, Jr.	D25/48.2
D853,827 S *	7/2019	Lang	D8/377

10,731,412 B2 *	8/2020	Roberts	E06B 3/4636
2005/0039864 A1 *	2/2005	Arcamonte	E06B 9/04
				160/290.1
2012/0255249 A1 *	10/2012	Singh	E04F 19/061
				52/302.1
2019/0211620 A1 *	7/2019	Hay, III	E06B 9/02
2019/0264498 A1 *	8/2019	Hay, III	E06B 9/02
2021/0062577 A1 *	3/2021	Hendry	E06B 7/28

OTHER PUBLICATIONS

“EZ Screen Room Aluminum Extrusion”, Jul. 10, 2013, HomeDepot.com, site visited Nov. 8, 2021: <https://www.homedepot.com/p/EZ-Screen-Room-Screen-Room-8-ft-x-1-in-x-2-in-White-Open-Back-Aluminum-Extrusion-EZSR8OBW/202453642> (Year: 2013).*
“Screen Tight Cap and Base”, Feb. 19, 2017, Amazon.ca, site visited Nov. 8, 2021: <https://www.amazon.ca/Metro-Screen-Works-Tight-Base/dp/B01N6ZOSF8> (Year: 2017).*

* cited by examiner

Primary Examiner — Jack Reickel

Assistant Examiner — Michael A Kervin

(74) *Attorney, Agent, or Firm* — John Rizvi; John Rizvi, P.A.—The Patent Professor®

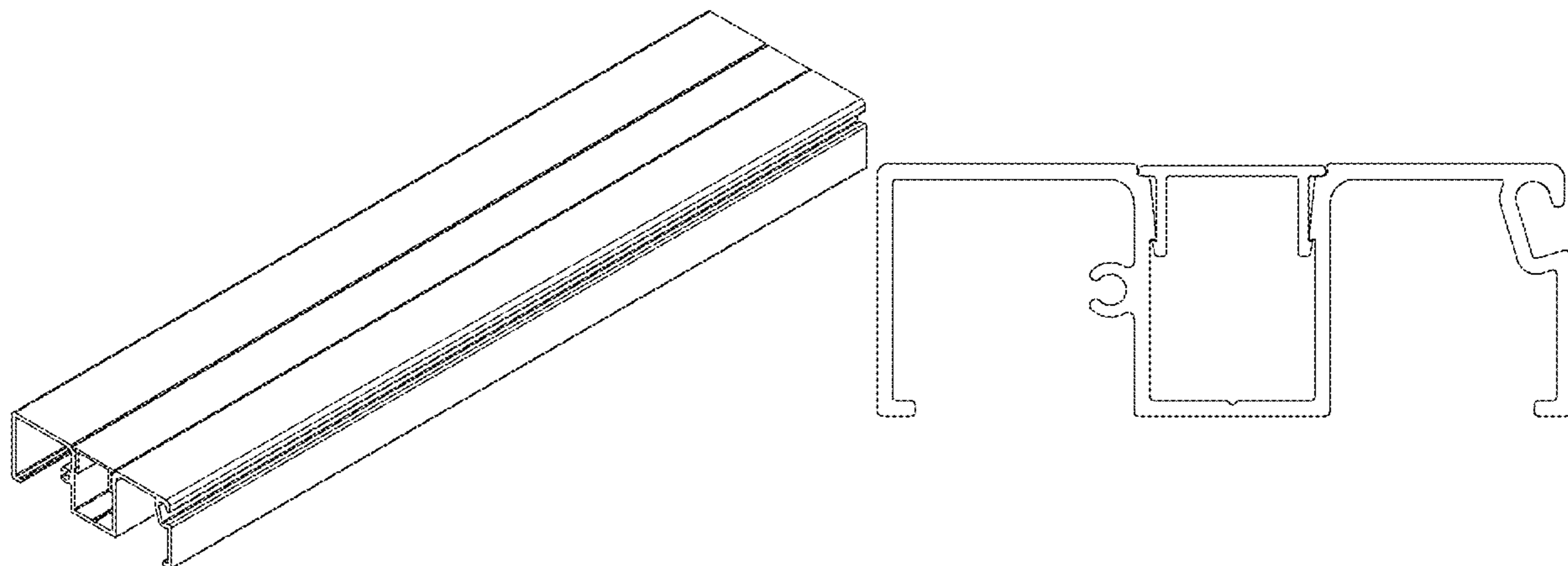
(57) **CLAIM**

I claim the ornamental design for a track for screen mesh, as shown and described.

DESCRIPTION

FIG. 1 is a bottom, front isometric view of a track for screen mesh showing my new design;
FIG. 2 is a top, front isometric view thereof;
FIG. 3 is a front elevation view thereof;
FIG. 4 is a left side elevation view thereof;
FIG. 5 is a top plan view thereof;
FIG. 6 is a top, rear isometric view thereof; and,
FIG. 7 is a rear elevation view thereof.

1 Claim, 7 Drawing Sheets



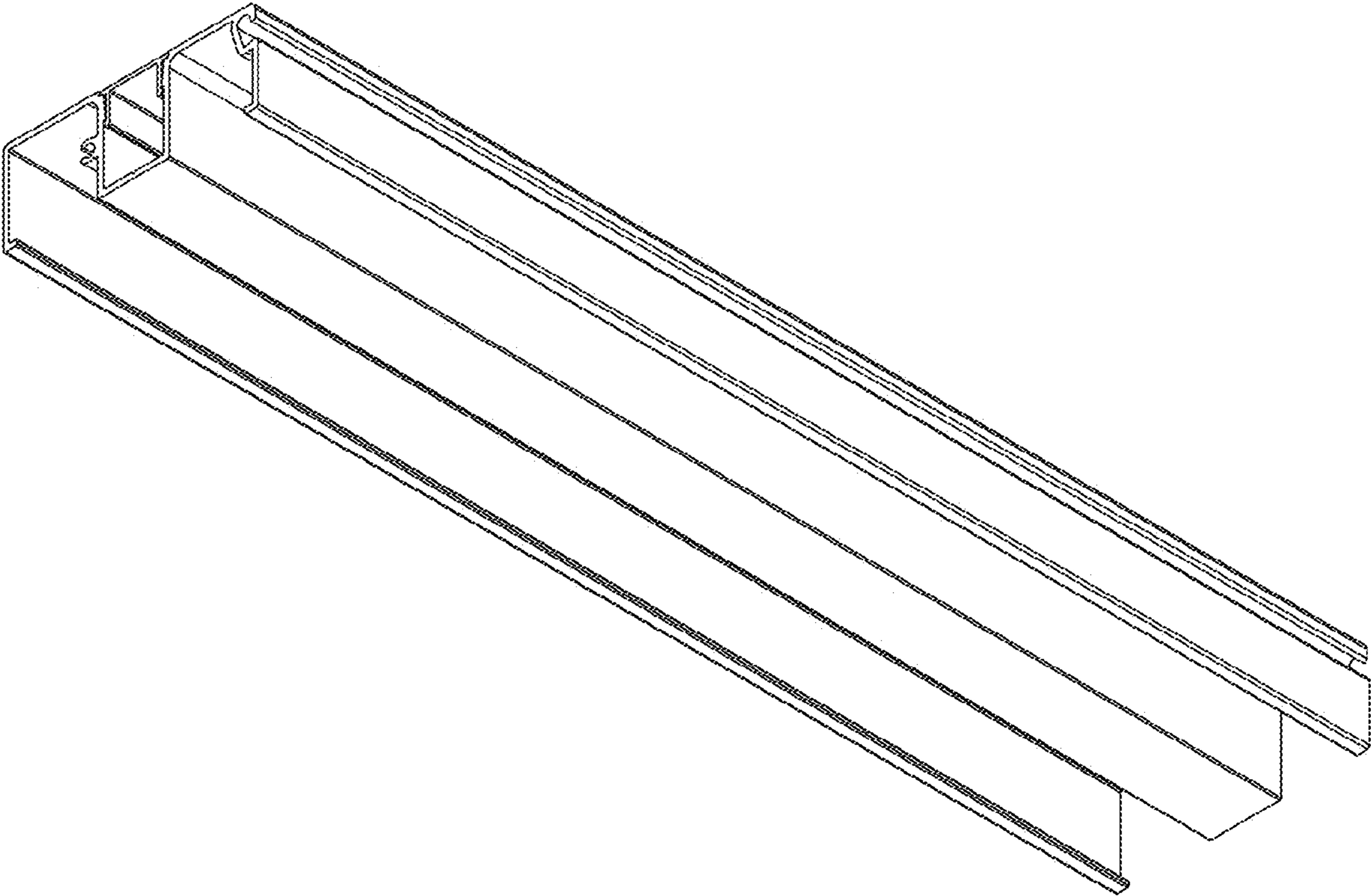


FIG. 1

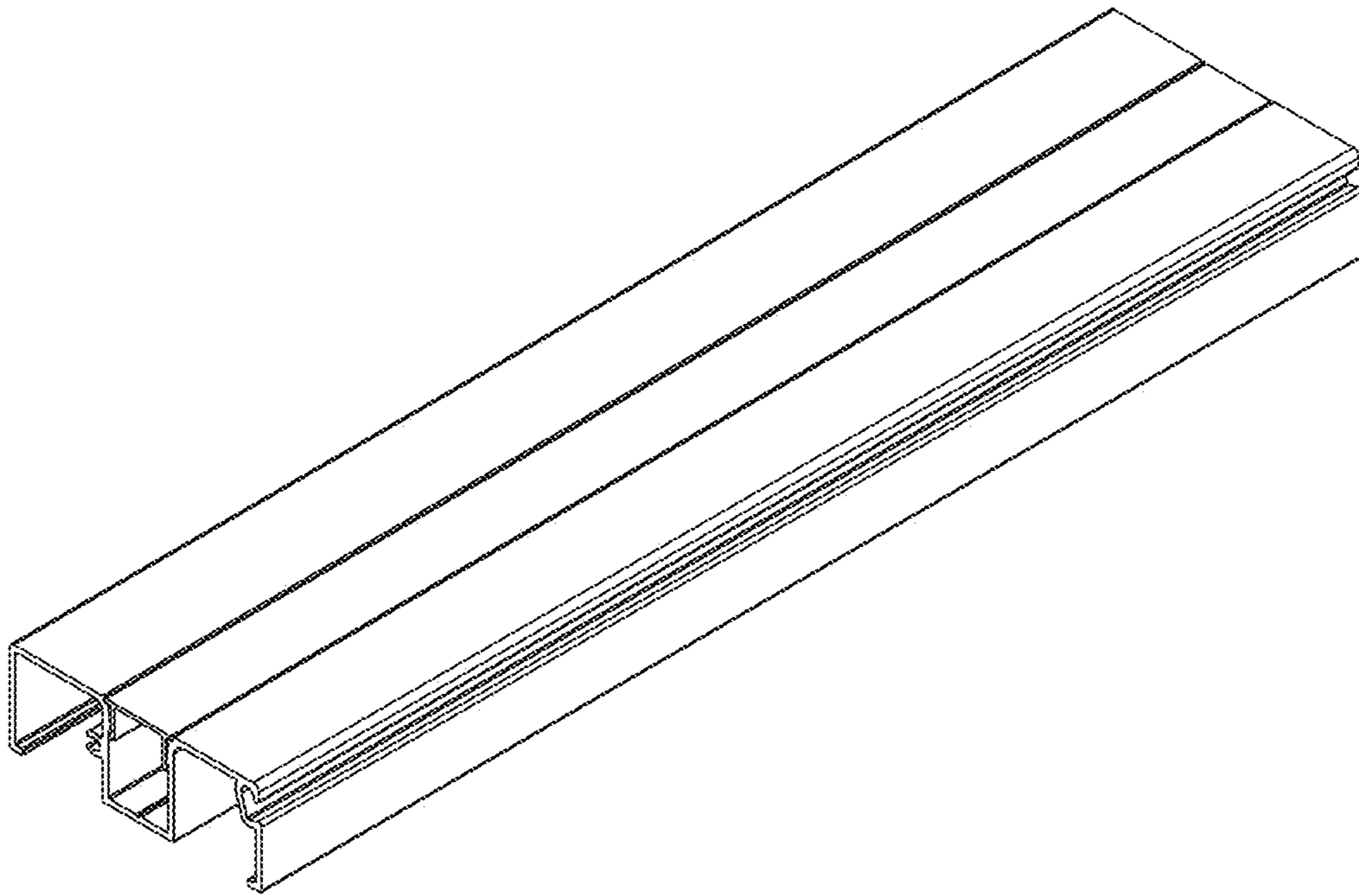


FIG. 2

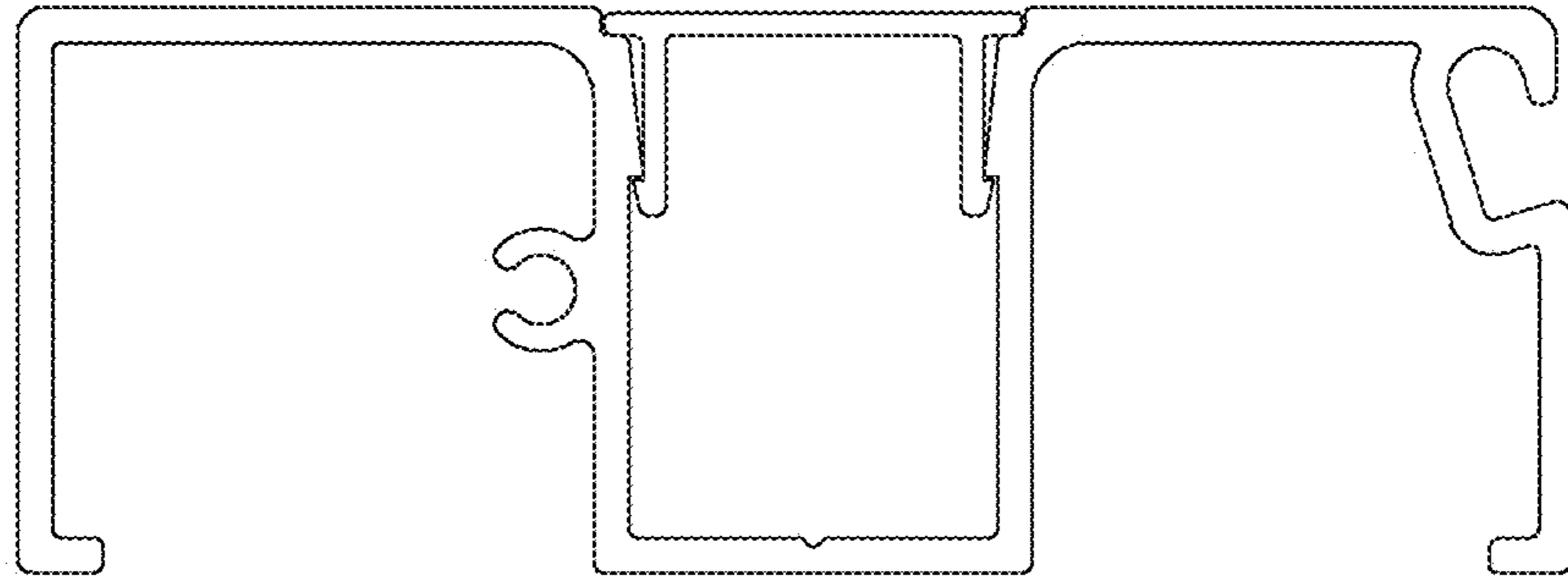


FIG. 3



FIG. 4

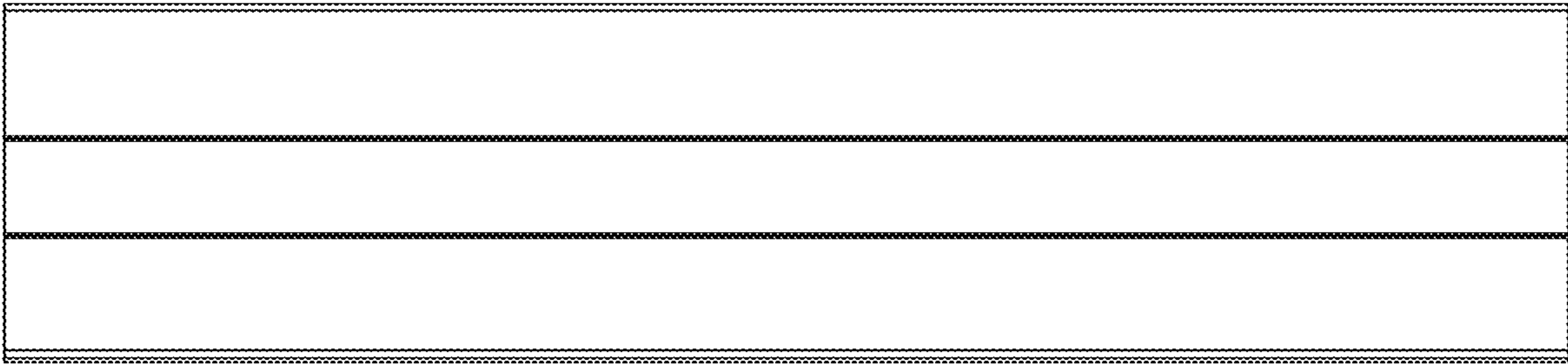


FIG. 5

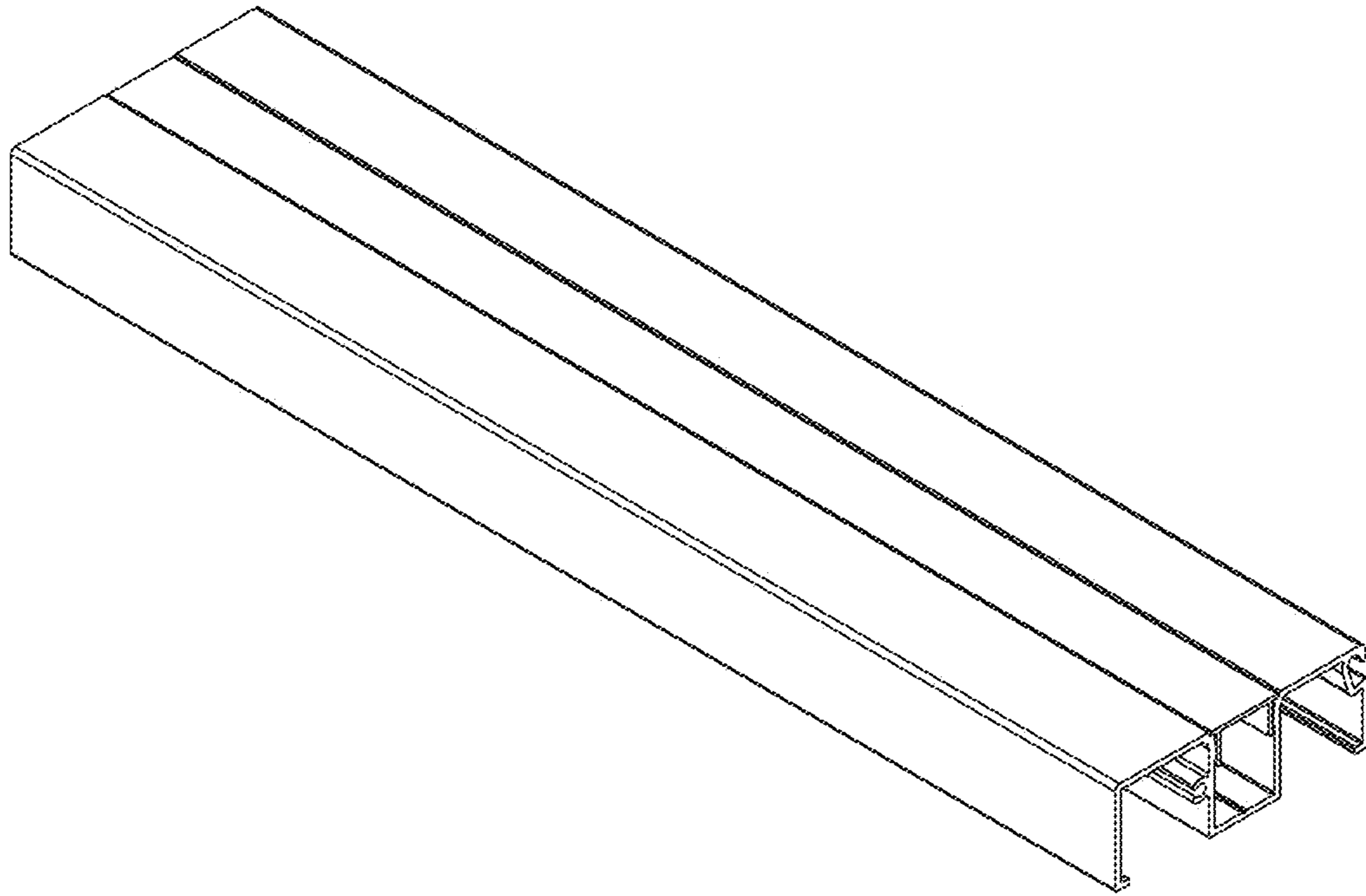


FIG. 6

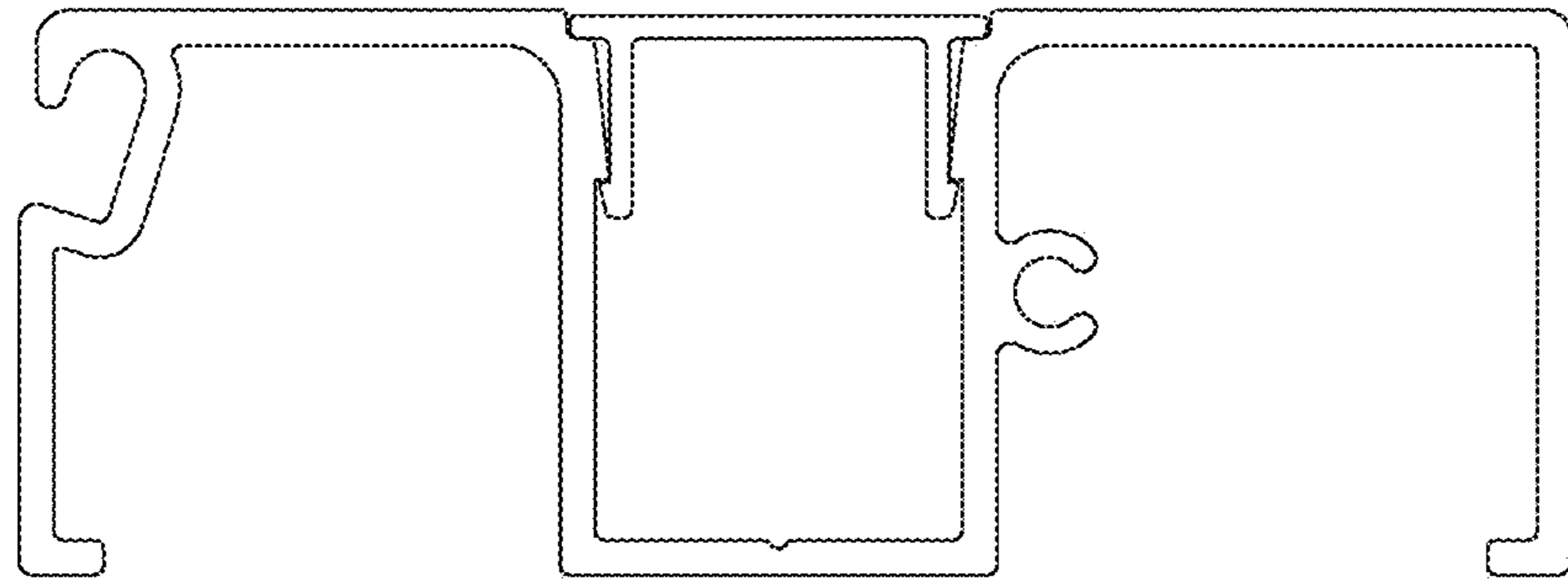


FIG. 7