



US00D948997S

(12) **United States Design Patent**  
**Wang**

(10) **Patent No.:** **US D948,997 S**

(45) **Date of Patent:** **\*\* Apr. 19, 2022**

(54) **TRIANGULAR MATTE WALL HOOK**

(71) Applicant: **Juan Wang**, Anhui (CN)

(72) Inventor: **Juan Wang**, Anhui (CN)

(\*\*) Term: **15 Years**

(21) Appl. No.: **29/757,785**

(22) Filed: **Nov. 10, 2020**

(51) **LOC (13) Cl.** ..... **08-05**

(52) **U.S. Cl.**  
USPC ..... **D8/367**

(58) **Field of Classification Search**  
USPC ..... D8/367, 354, 349, 373; D6/323;  
248/301-304, 339  
CPC ..... A47G 1/00; A47G 25/00  
See application file for complete search history.

(56) **References Cited**

**U.S. PATENT DOCUMENTS**

2,765,998 A *	10/1956	Engert	.....	A47G 1/17
				248/467
D327,641 S *	7/1992	Hoskinson	.....	D8/367
D658,029 S *	4/2012	Fulkerson	.....	D8/307
D670,997 S *	11/2012	Thompson	.....	D8/367

D687,686 S *	8/2013	Robinson	.....	D8/14
D761,093 S *	7/2016	Liu	.....	D8/367
D821,184 S *	6/2018	Berger	.....	D8/367
D842,083 S *	3/2019	Thompson	.....	D8/367
D864,697 S *	10/2019	Gnocchini	.....	D8/367
D867,771 S *	11/2019	Zhong	.....	D6/323
D879,596 S *	3/2020	Li	.....	D8/367
10,842,304 B2 *	11/2020	Ye	.....	A47G 29/087
D918,698 S *	5/2021	Man	.....	D8/367
D935,312 S *	11/2021	Zhou	.....	D8/367
D939,330 S *	12/2021	Zhou	.....	D8/367

\* cited by examiner

*Primary Examiner* — Cynthia R Underwood

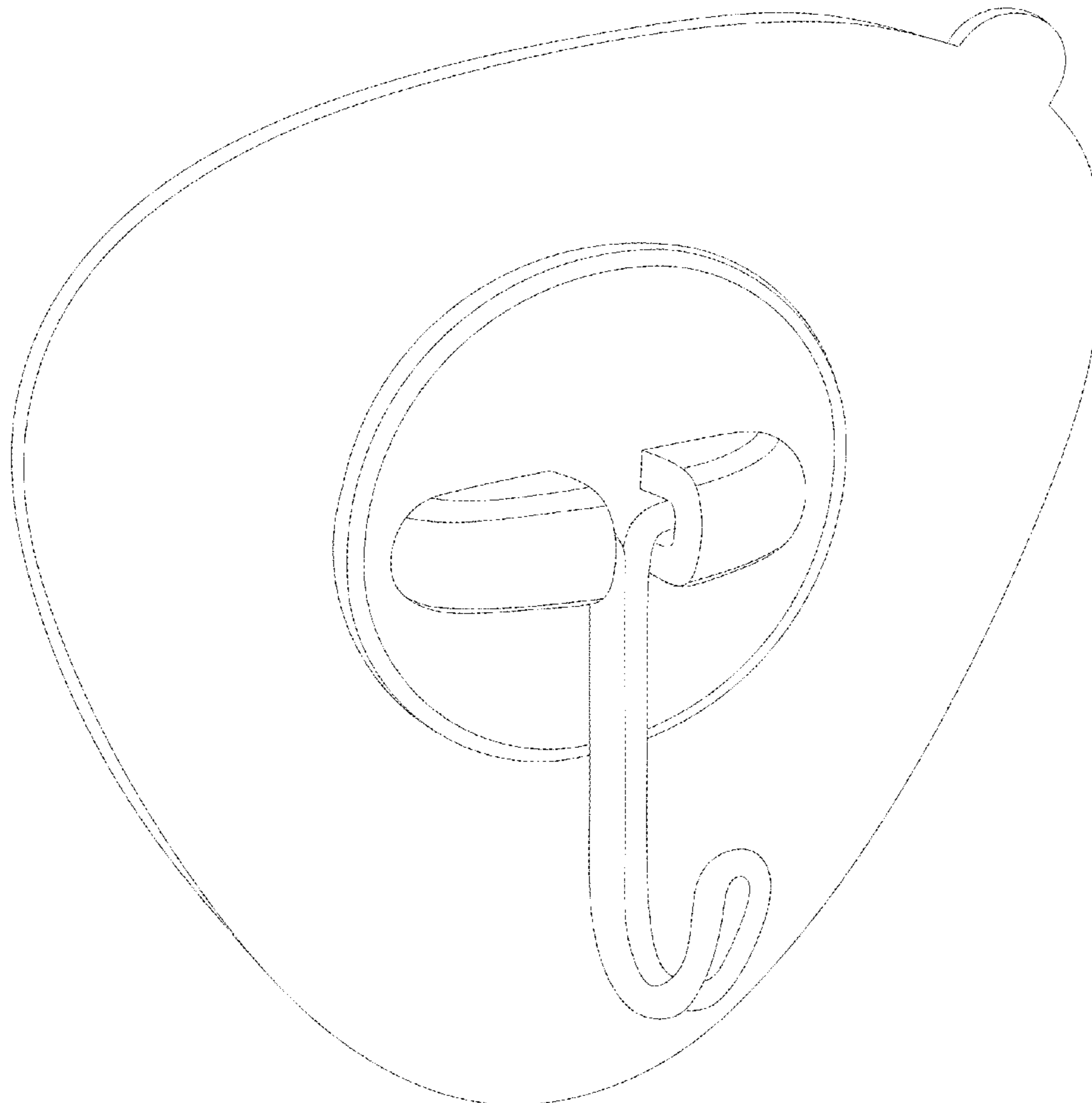
(57) **CLAIM**

The ornamental design for a triangular matte wall hook, as shown.

**DESCRIPTION**

FIG. 1 is a front elevational view of a triangular matte wall hook showing my new design;  
FIG. 2 is a rear elevational view thereof;  
FIG. 3 is a left side view thereof;  
FIG. 4 is a right side view thereof;  
FIG. 5 is a top plan view thereof;  
FIG. 6 is a bottom plan view thereof; and,  
FIG. 7 is a perspective view thereof.

**1 Claim, 7 Drawing Sheets**



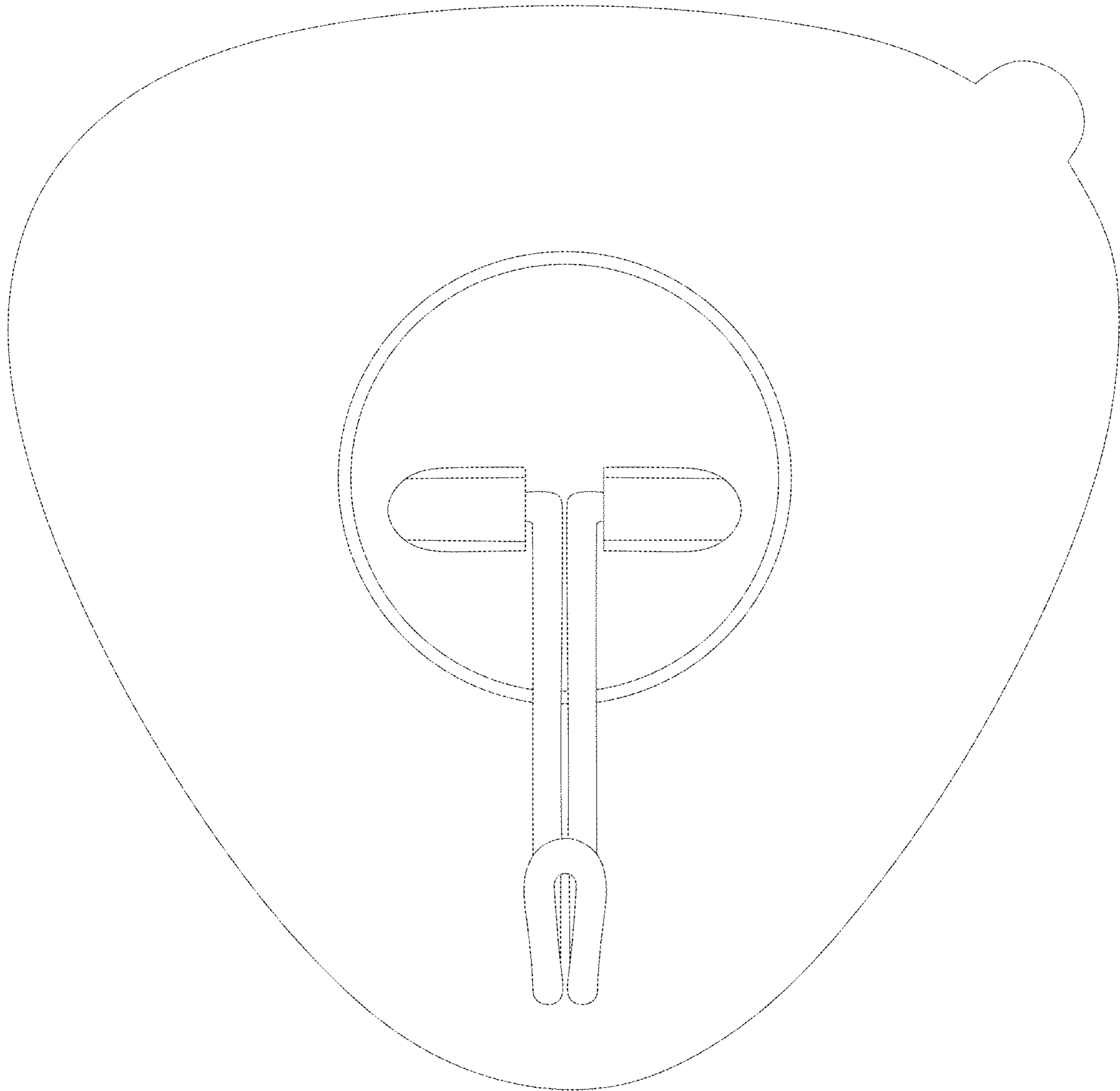


FIG. 1

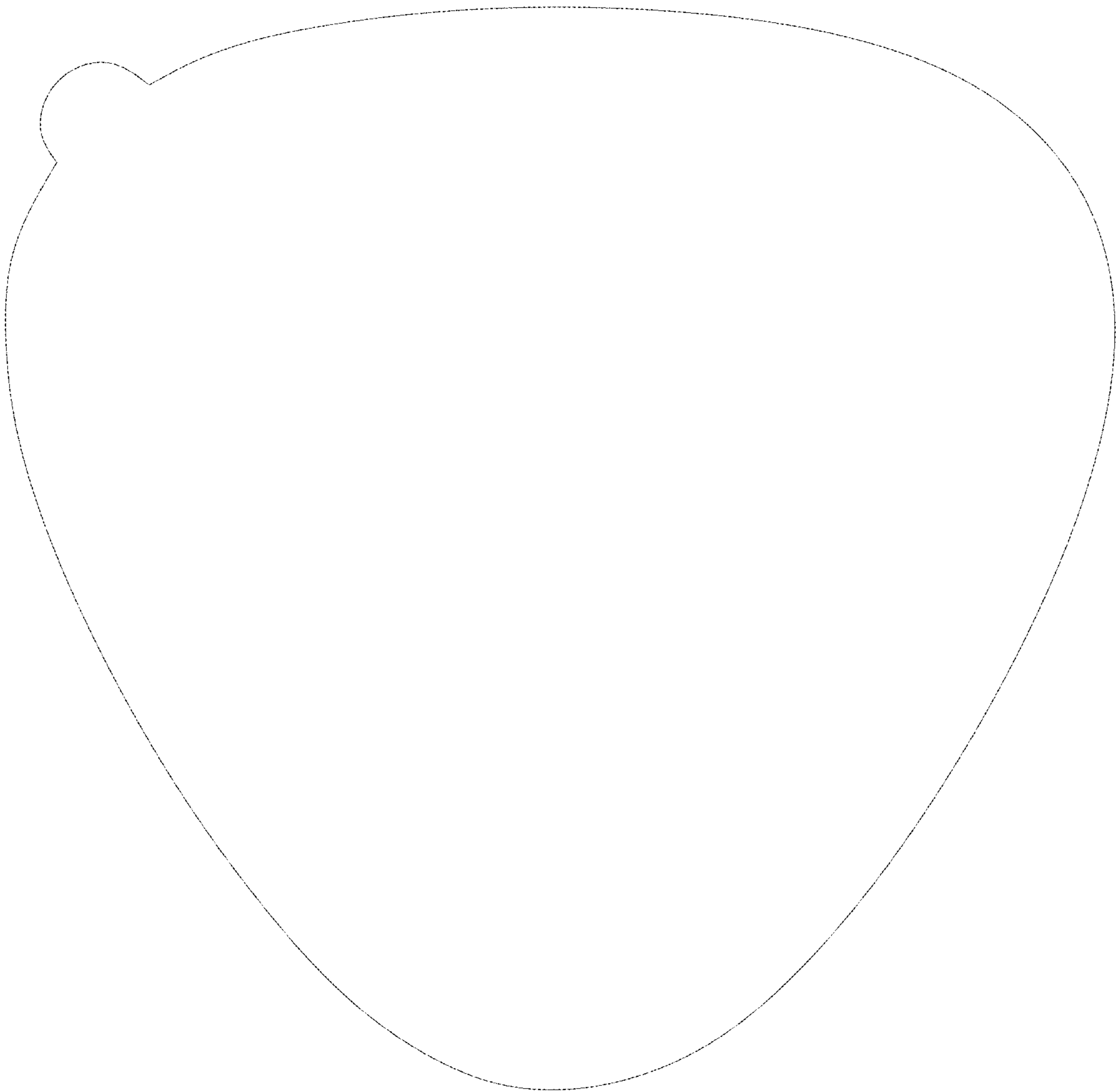


FIG. 2

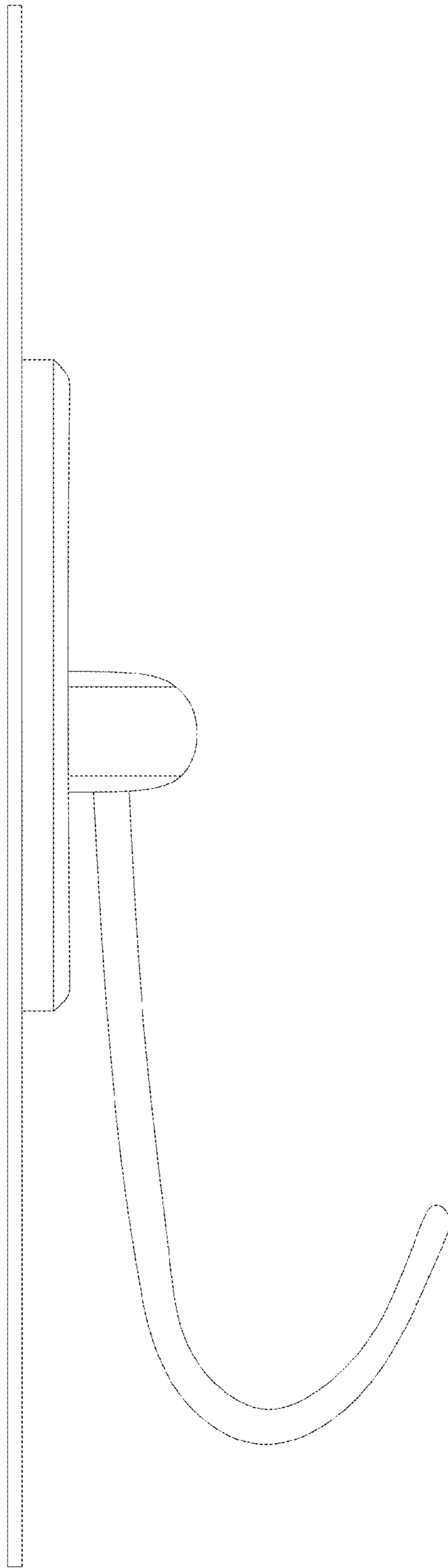


FIG. 3

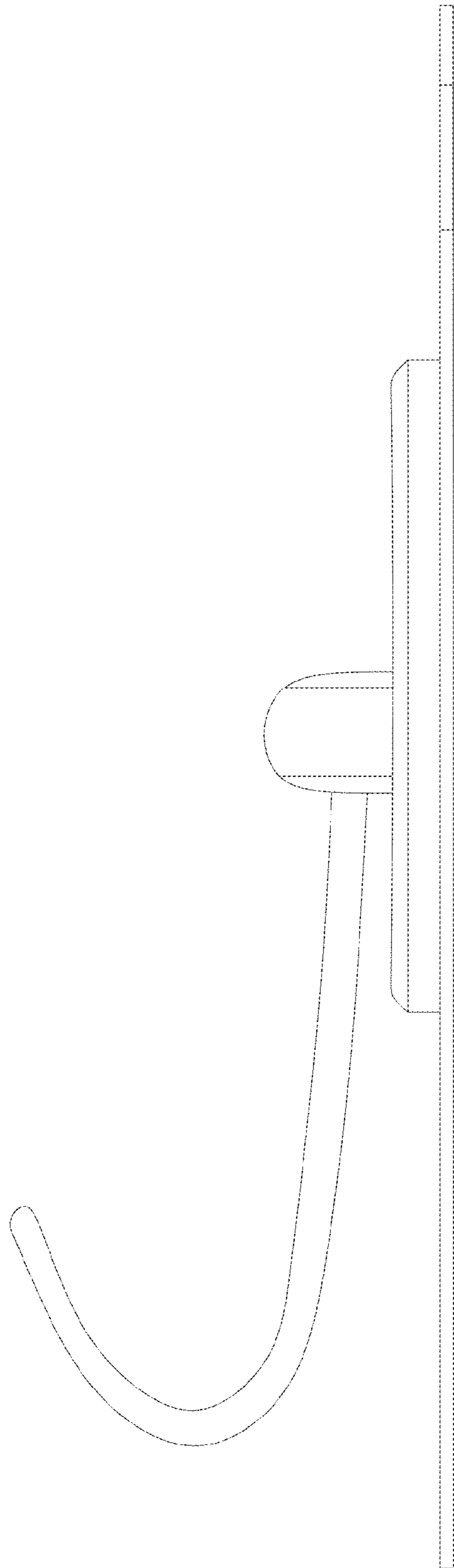


FIG. 4

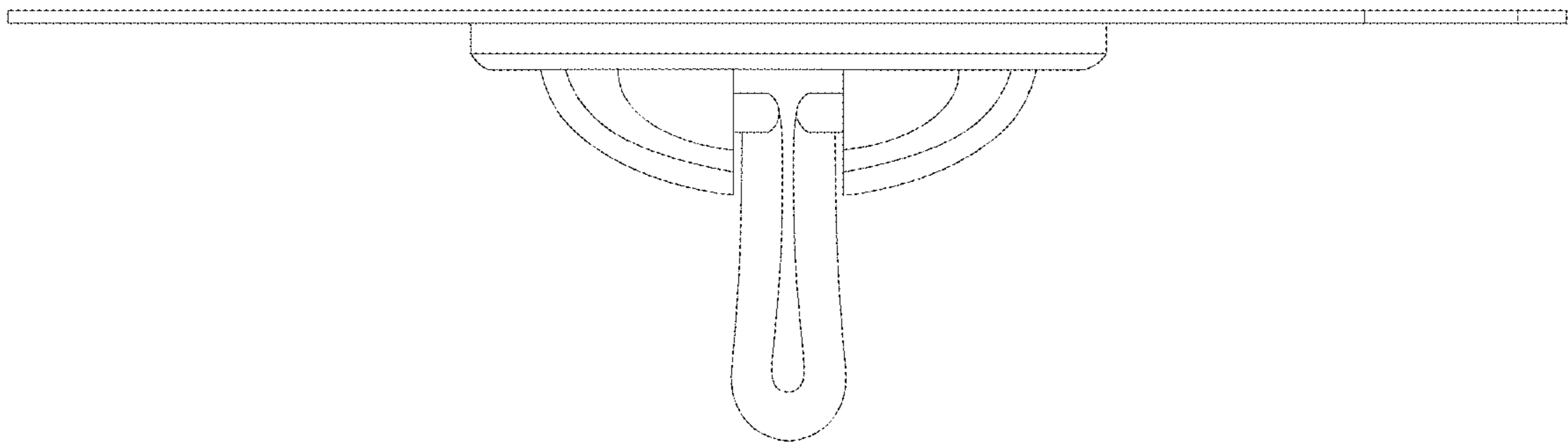


FIG. 5

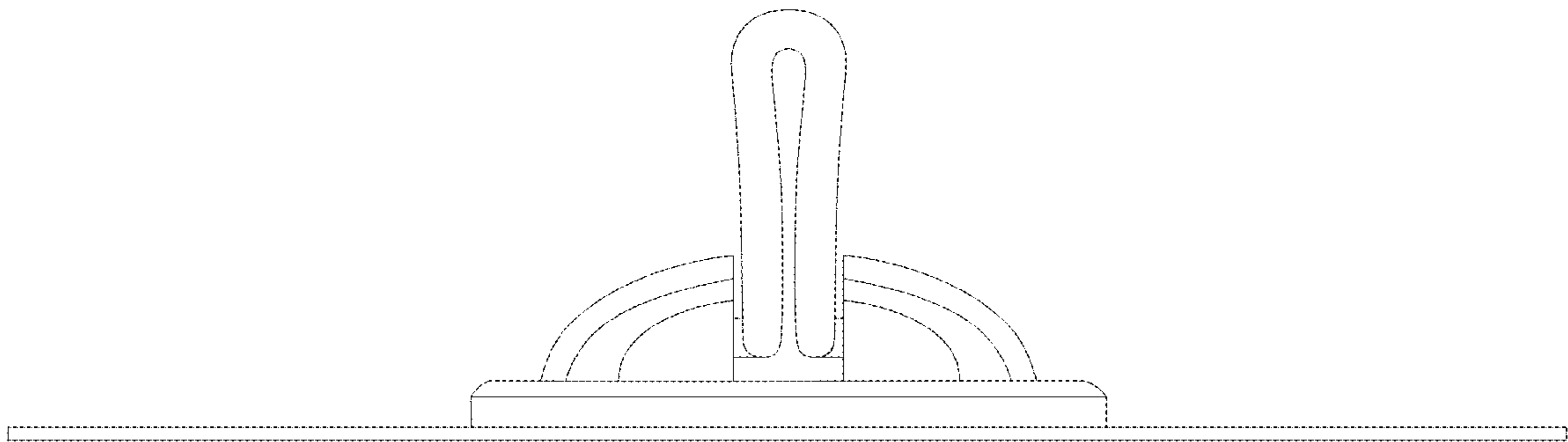


FIG. 6

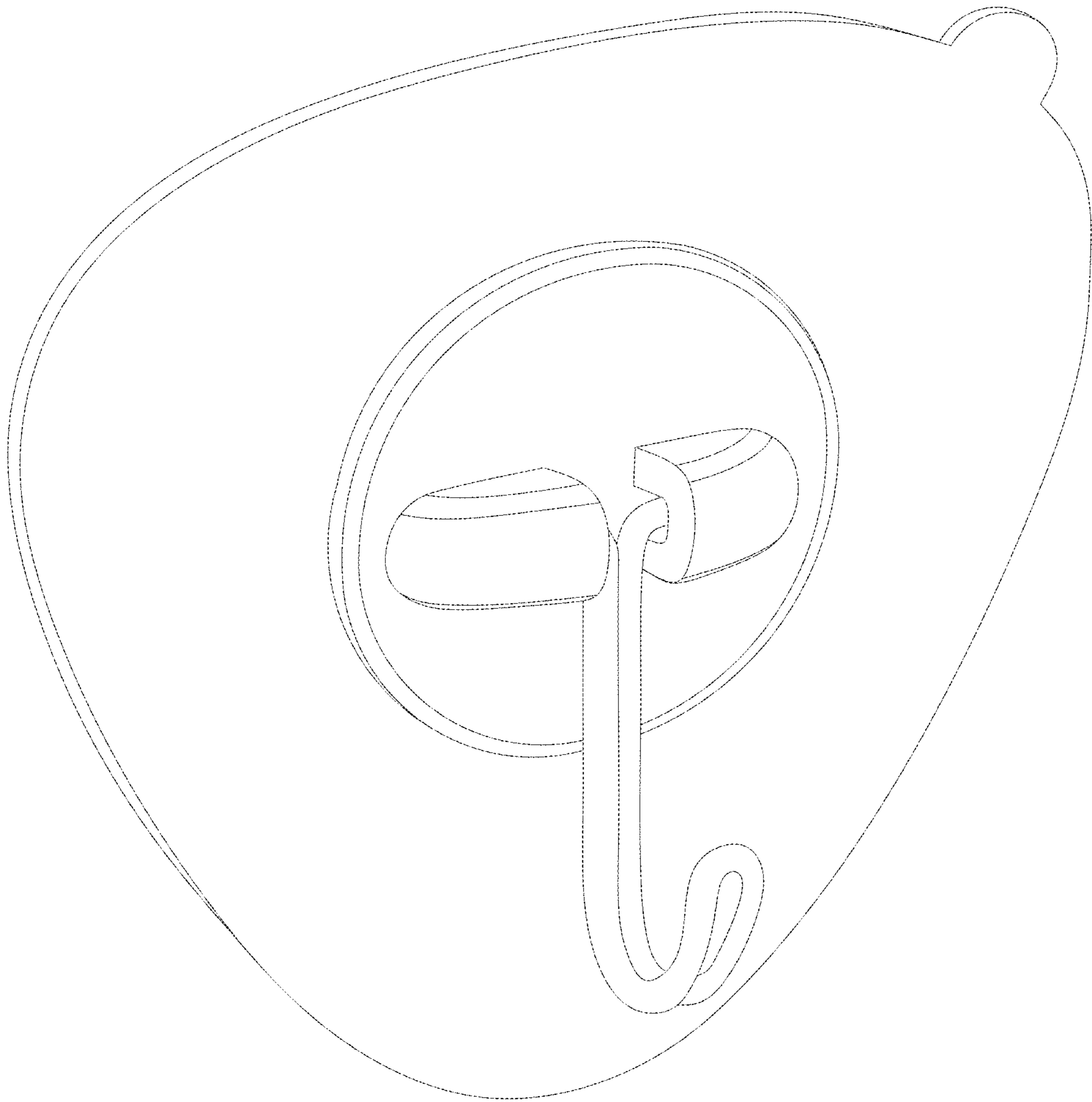


FIG. 7