



US00D948995S

(12) **United States Design Patent**
Lyytikäinen et al.

(10) **Patent No.:** **US D948,995 S**
(45) **Date of Patent:** **** Apr. 19, 2022**

(54) **WATERING HOSE REEL**

(71) Applicant: **Fiskars Finland Oy Ab**, Helsinki (FI)

(72) Inventors: **Sami Lyytikäinen**, Helsinki (FI); **Vesa Poutiainen**, Helsinki (FI); **Petteri Masalin**, Helsinki (FI)

(73) Assignee: **FISKARS FINLAND OY AB**, Helsinki (FI)

(**) Term: **15 Years**

(21) Appl. No.: **29/734,680**

(22) Filed: **May 14, 2020**

Related U.S. Application Data

(62) Division of application No. 29/626,067, filed on Nov. 14, 2017, now Pat. No. Des. 915,870.

(30) **Foreign Application Priority Data**

May 17, 2017 (EM) 004005502

(51) **LOC (13) Cl.** **08-05**

(52) **U.S. Cl.**
USPC **D8/358**

(58) **Field of Classification Search**

USPC D8/373, 358, 359, 354, 71, 330, 336,
D8/351, 356, 360.1, 363, 364, 367, 370,
D8/372, 379, 381, 382, 395, 396;
D6/349, 352; D9/426, 502, 750;
D10/72, 73, 89; D11/79, 93; D13/103,
D13/107; D19/67; D21/673, 674, 675,
D21/839, 840; D25/19, 62, 68, 69;
D26/40, 49; D29/122, 124; D30/153,
D30/155; D12/162; D34/24, 26; D3/10
CPC B65H 75/40; B65H 75/4407;
B65H 75/4471; B65H 2701/34; B65H
2701/32; B65H 2511/142; B65H 29/008;
B65H 2701/33; B65H 54/585; B65H
51/22; B65H 75/08; B65H 75/02; B65H
2301/41485; B65H 75/4468; B65H

2301/414323; B65H 2301/414325; B65H
16/02; B65H 2301/4131; B65H 75/403;
B65H 75/441; B65D 85/66; B65D 85/67;
B66D 3/006; B66D 3/18; B66D 3/26;
B66D 3/02; B66D 3/14; B63B 21/18;
B63B 21/26; B65B 57/005; A61G
7/1051; A61G 7/1061; B66B 11/08;
A62C 33/04; B08B 2203/0276; B21C
47/28; H02G 11/02; A01K 89/003; H04M
1/15; A01D 34/822; A47L 9/26; H04R
1/1033; Y10S 24/909; E05C 19/10; E05C
17/50; E05C 3/045; E05C 3/30; E05C
(Continued)

(56) **References Cited**

U.S. PATENT DOCUMENTS

3,187,430 A 6/1965 Wallace et al.
3,208,121 A 9/1965 Price
(Continued)

Primary Examiner — Calvin E Vansant
(74) *Attorney, Agent, or Firm* — Leason Ellis LLP

(57) **CLAIM**

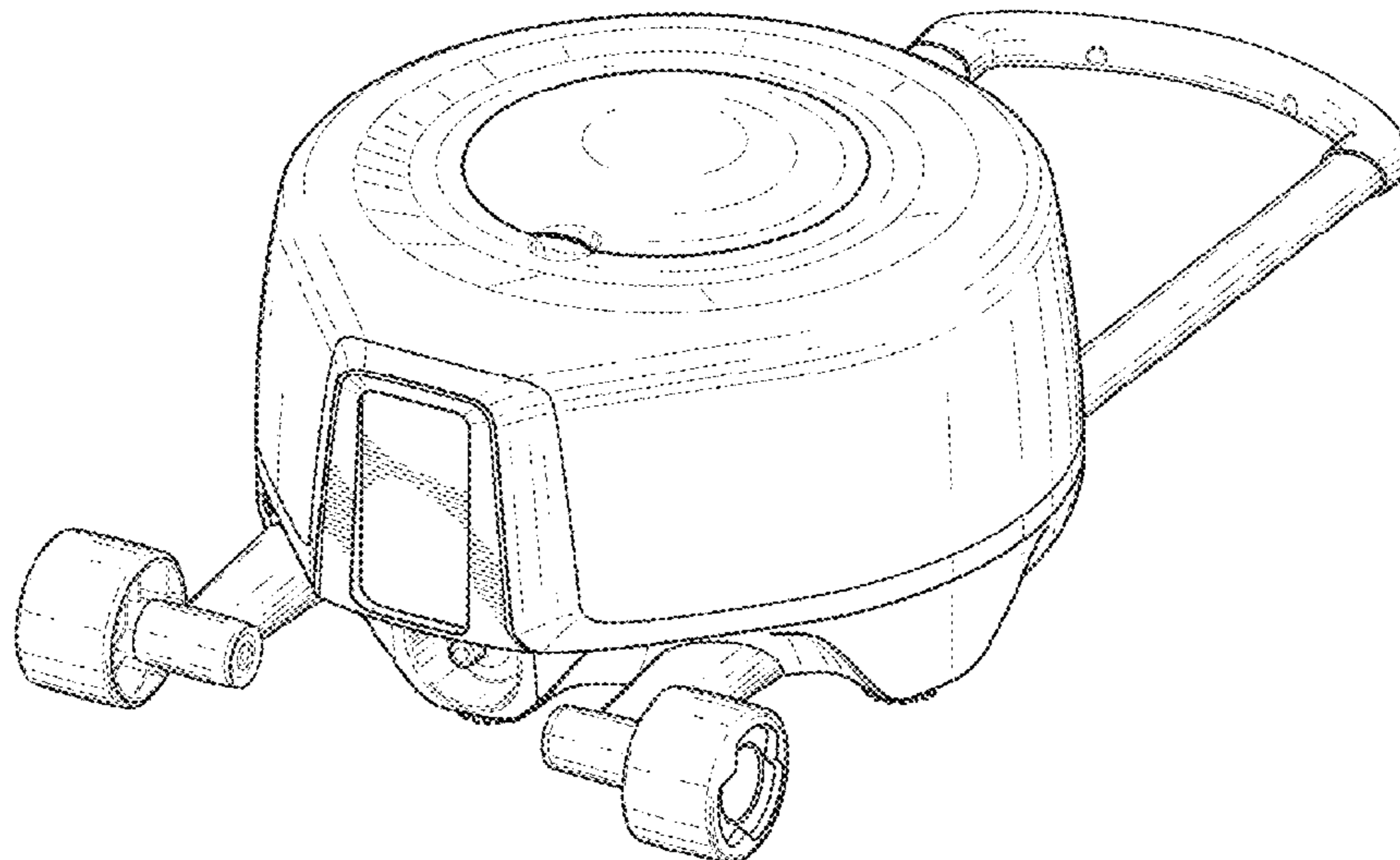
We claim the ornamental design for a watering hose reel, as shown and described.

DESCRIPTION

FIG. 1 is a perspective view of an embodiment of the claimed design;
FIG. 2 is a front view thereof;
FIG. 3 is a back view thereof;
FIG. 4 is a right side view thereof;
FIG. 5 is a left side view thereof;
FIG. 6 is a top view thereof; and,
FIG. 7 is a bottom view thereof.

Any portion of the article depicted in broken lines forms no part of the claimed design. Broken lines formed by equal length dashes show unclaimed subject matter.

1 Claim, 7 Drawing Sheets



(58) **Field of Classification Search**

CPC ... 19/02; E05C 19/026; A47G 25/0614; A47G 25/18; A47G 25/32; A47G 7/047; A47G 7/045; A47G 7/042; A47G 7/044; F16B 12/44; F16B 12/46; F16B 5/0614; F16B 12/02; E04B 1/2612; E04B 2001/2415; E04B 1/5818; E04B 1/5831; A47B 88/0055; E04F 11/1812; F16L 1/0246; A01G 9/024; A01G 25/14; A01G 27/001; A01G 9/042; A01G 27/005; A01G 31/001; A01G 9/02; A01G 9/083; A01G 9/12; B60D 1/185; B60P 7/083; B60P 7/0853; B60P 7/0823; Y10T 24/2175; Y10T 24/2164

See application file for complete search history.

(56)

References Cited

U.S. PATENT DOCUMENTS

D206,483	S	12/1966	Sharp	
D257,576	S	12/1980	Bobrovniczky	
D271,078	S	10/1983	Houghton	
D344,220	S	2/1994	Wensley et al.	
5,308,011	A	5/1994	Roman	
D354,205	S	1/1995	Wensley et al.	
D374,166	S	10/1996	Czerwinski et al.	
D393,401	S	4/1998	Clivio	
5,782,412	A	7/1998	Plantz et al.	
D404,286	S	1/1999	Plantz et al.	
D417,538	S	12/1999	Tisbo et al.	
D418,270	S	12/1999	Tisbo et al.	
6,098,911	A *	8/2000	Sheldon	B65H 49/205 242/423.1
6,234,418	B1	5/2001	Donaldson	
D448,651	S	10/2001	Kovacik et al.	
6,439,360	B1	8/2002	Miller	
6,493,943	B1	12/2002	Linden	
D475,277	S	6/2003	Wu	
D479,979	S	9/2003	Kovacik et al.	
D483,235	S	12/2003	Deville	
D485,744	S	1/2004	Khubani	
6,789,324	B2	9/2004	Linden et al.	

D504,606	S	5/2005	Kovacik et al.	
D506,124	S	6/2005	Strickland	
D511,294	S	11/2005	Kovacik et al.	
7,021,583	B2	4/2006	Weatherill	
D547,021	S	7/2007	Stein	
D563,773	S	3/2008	Pitcher et al.	
D575,842	S	8/2008	Jianwei	
D576,248	S	9/2008	Jianwei	
D584,937	S	1/2009	Kovacik et al.	
D589,329	S	3/2009	Plunk et al.	
D595,121	S	6/2009	Murphy	
D610,771	S *	2/2010	Doan	D34/33
7,654,484	B2	2/2010	Mogensen et al.	
D622,112	S	8/2010	Goetz et al.	
D624,020	S	9/2010	Kovacik	
D637,067	S	5/2011	Bauck et al.	
D646,039	S	9/2011	Franchini	
D652,191	S	1/2012	Arca	
D652,192	S	1/2012	Blaszczak et al.	
D652,193	S	1/2012	Blaszczak et al.	
D654,648	S	2/2012	Blaszczak et al.	
8,136,252	B2	3/2012	Linden et al.	
D666,080	S	8/2012	Boehler	
D671,809	S	8/2012	Boehler	
8,317,121	B2	11/2012	Tracey	
D679,559	S	4/2013	Masalin et al.	
D715,114	S	10/2014	Lyytikainen et al.	
D715,607	S	10/2014	Lyytikainen et al.	
D717,133	S	11/2014	Lyytikainen et al.	
D717,134	S	11/2014	Lyytikainen et al.	
D720,212	S	12/2014	Gonzalez et al.	
D722,479	S	2/2015	Lyytikainen et al.	
D737,669	S	9/2015	Anderson et al.	
D754,526	S	4/2016	Sha et al.	
D767,374	S	9/2016	Vanttila et al.	
D787,921	S	5/2017	Vanttila et al.	
D792,756	S	7/2017	Vanttila et al.	
D828,672	S	9/2018	Lyytikainen	
D832,086	S	10/2018	Son	
2003/0038209	A1	2/2003	Remeczky	
2004/0188558	A1	9/2004	Moon et al.	
2011/0309182	A1	12/2011	Franchini	
2014/0261766	A1	9/2014	Tracey	
2018/0334353	A1	11/2018	Poutiainen	
2018/0352663	A1	12/2018	Hall	

* cited by examiner

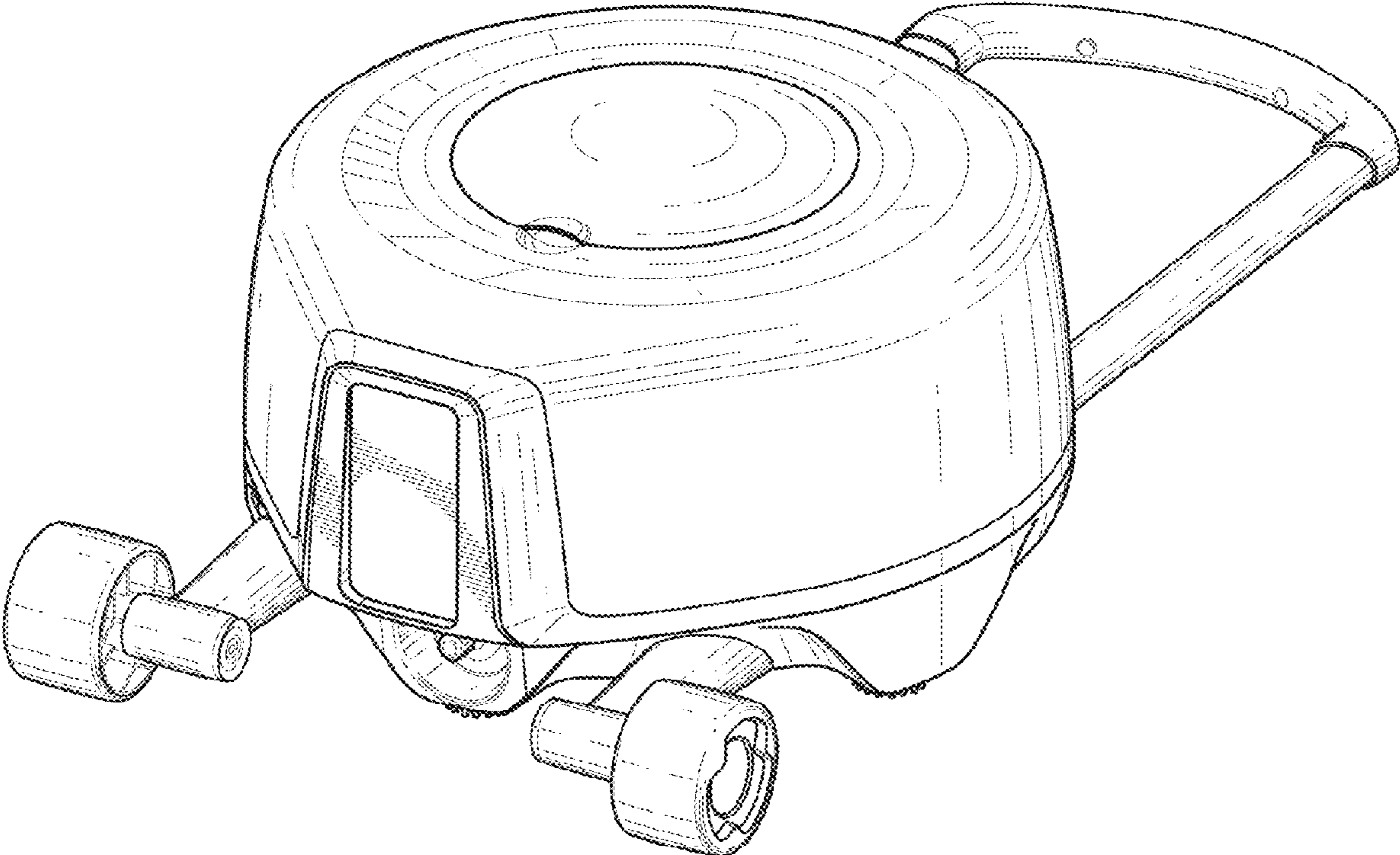


FIG. 1

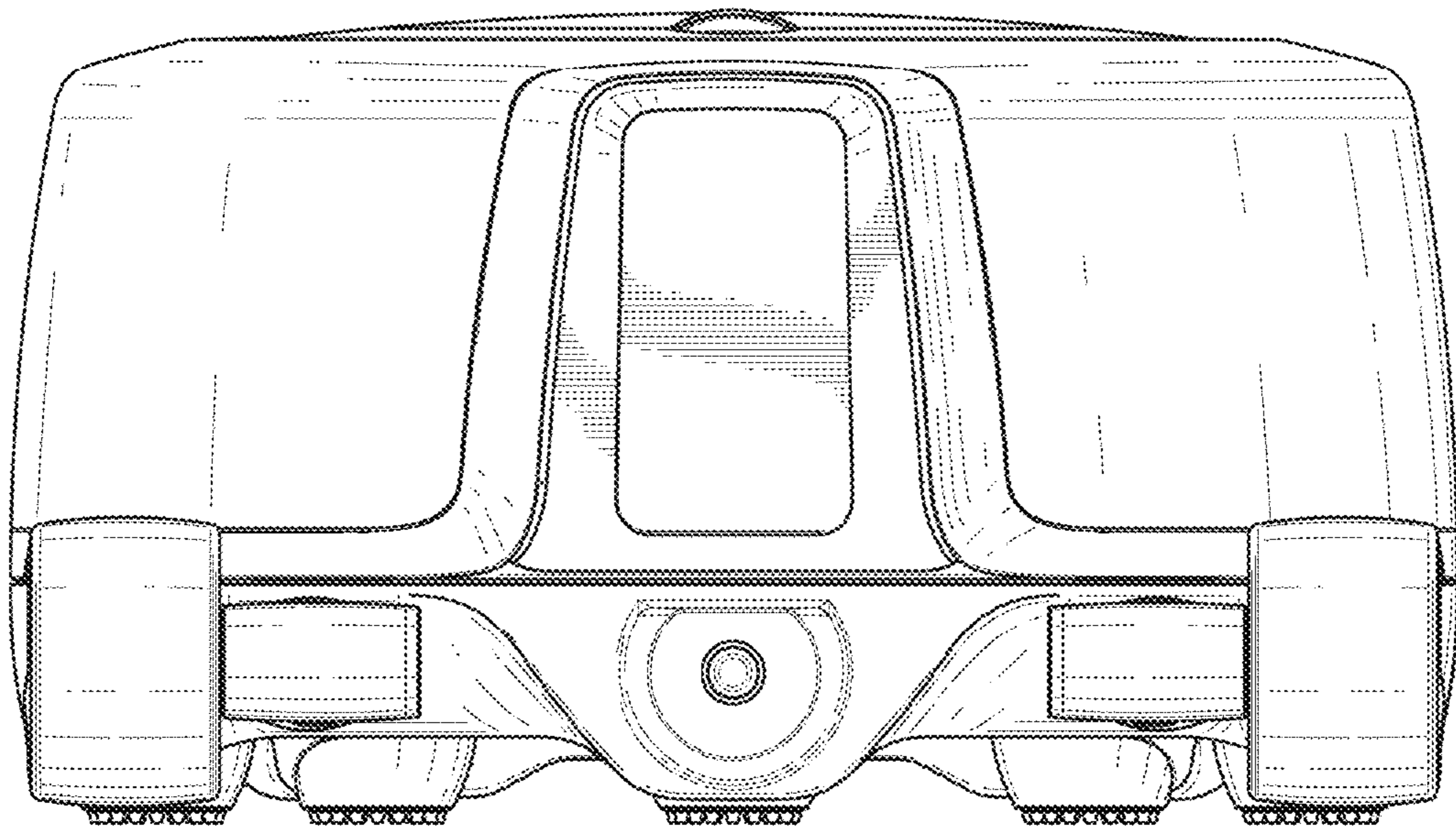


FIG. 2

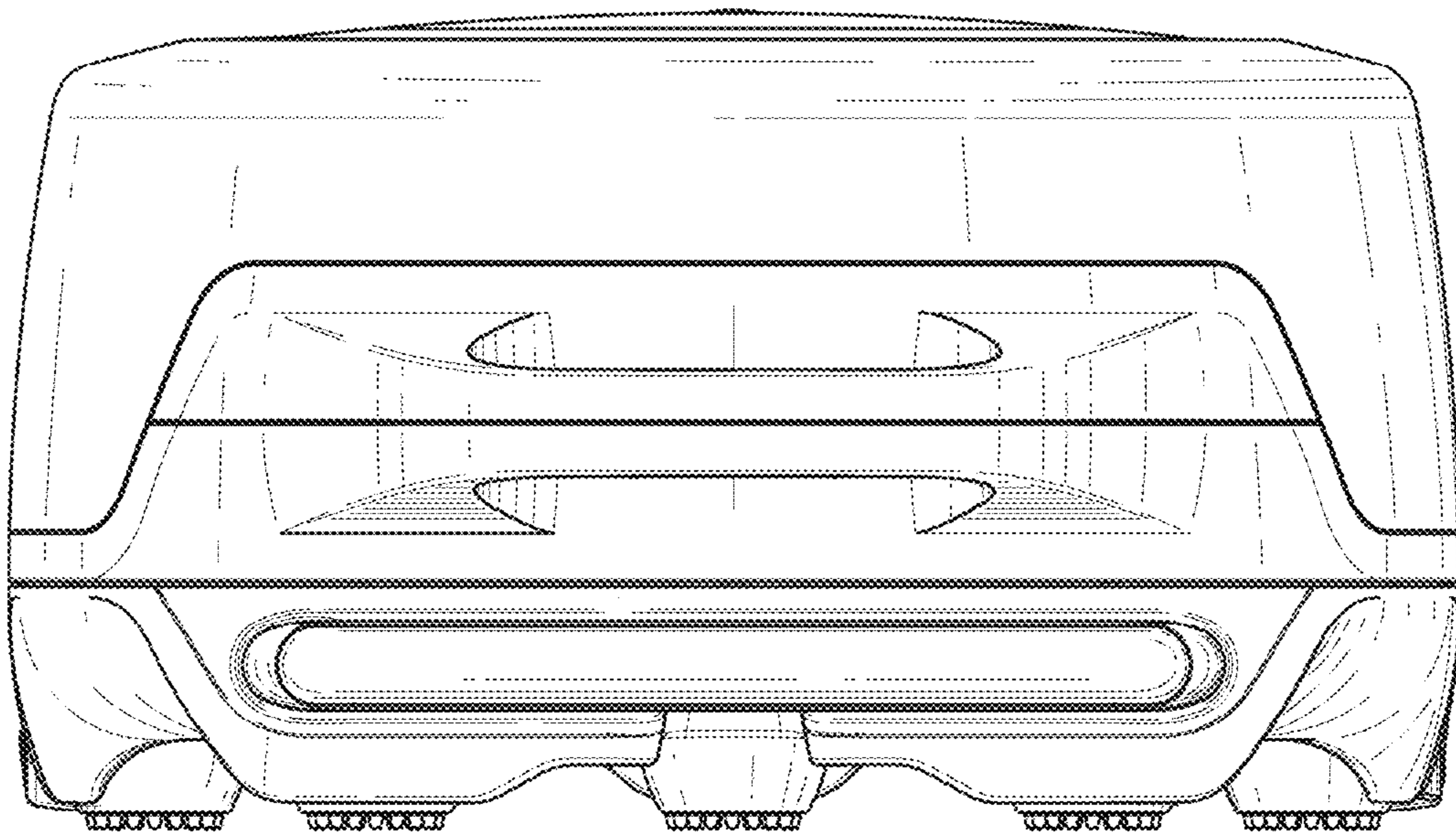


FIG. 3

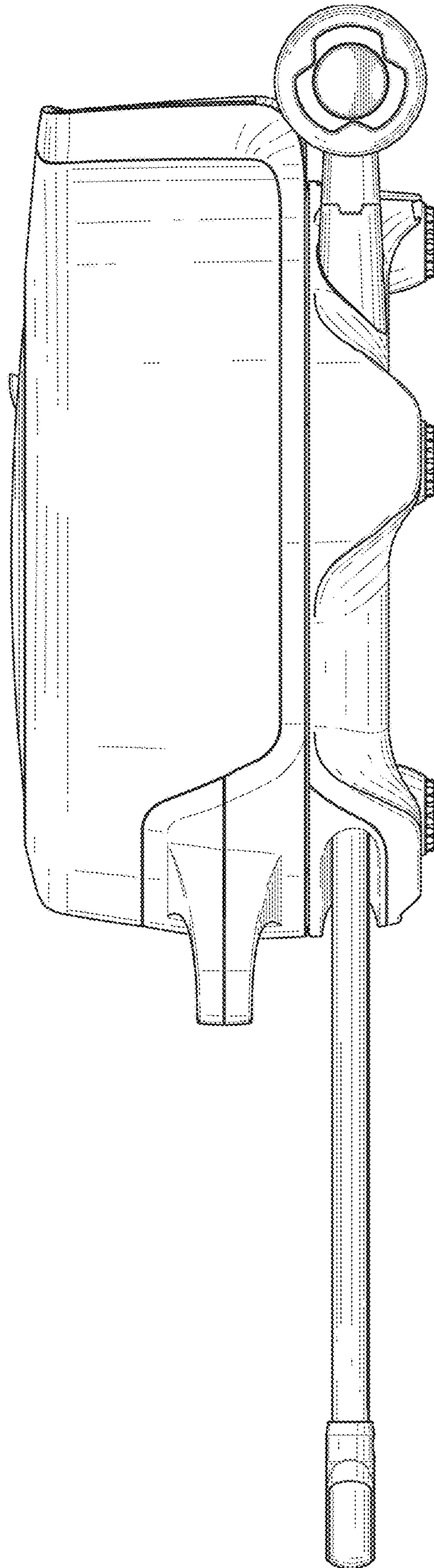


FIG. 4

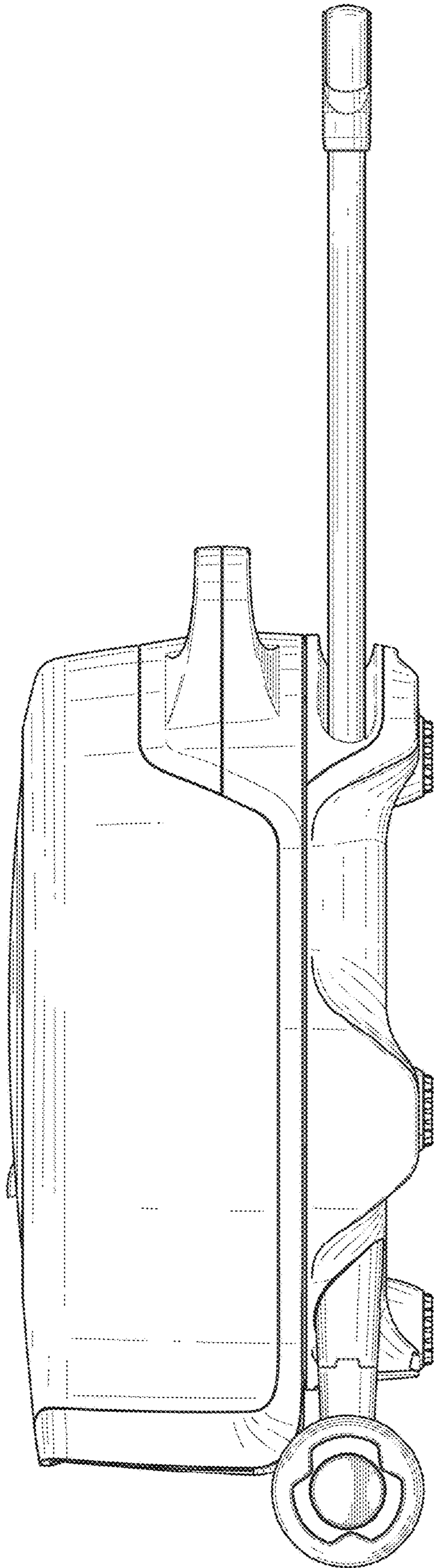


FIG. 5

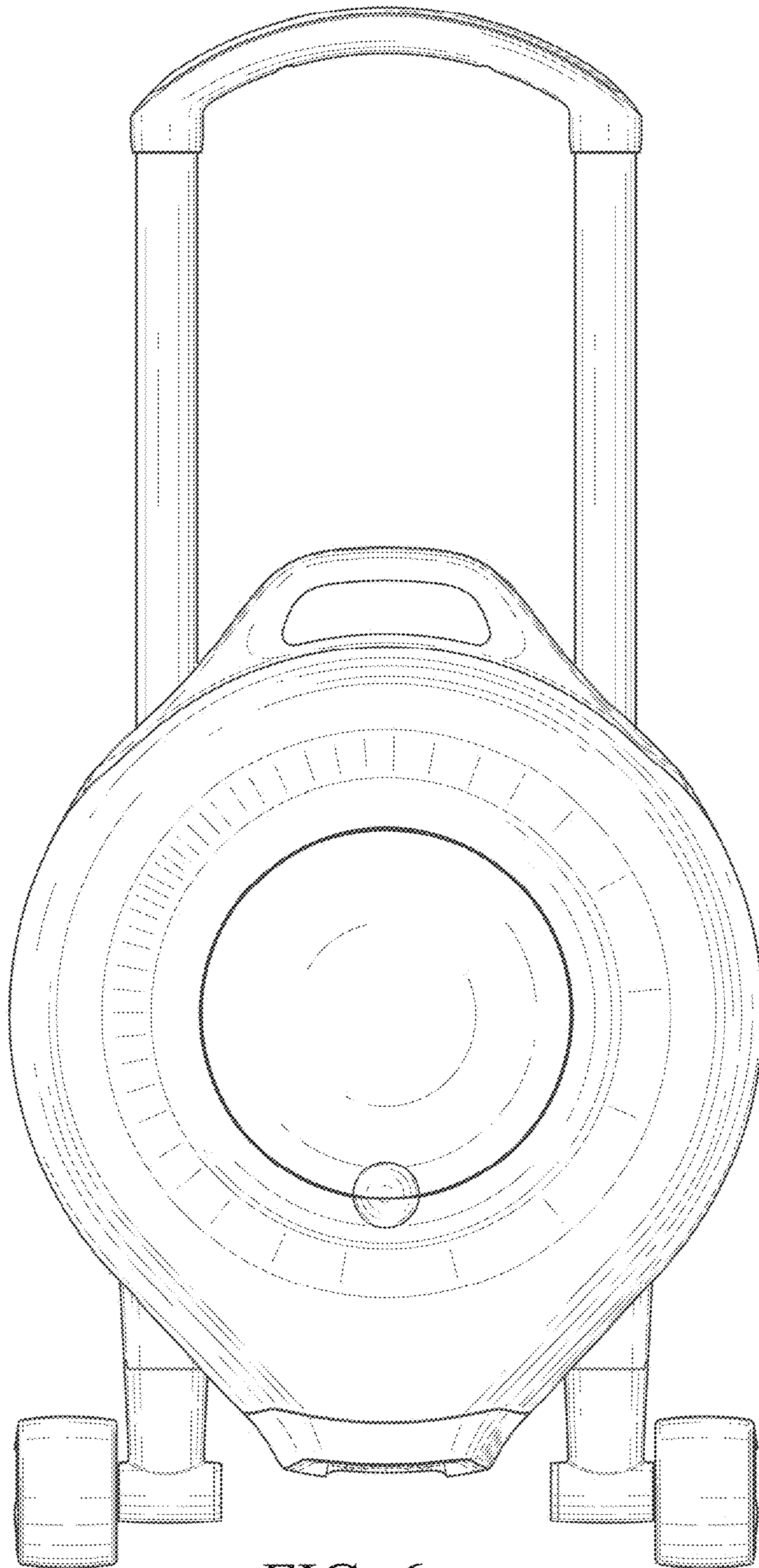


FIG. 6

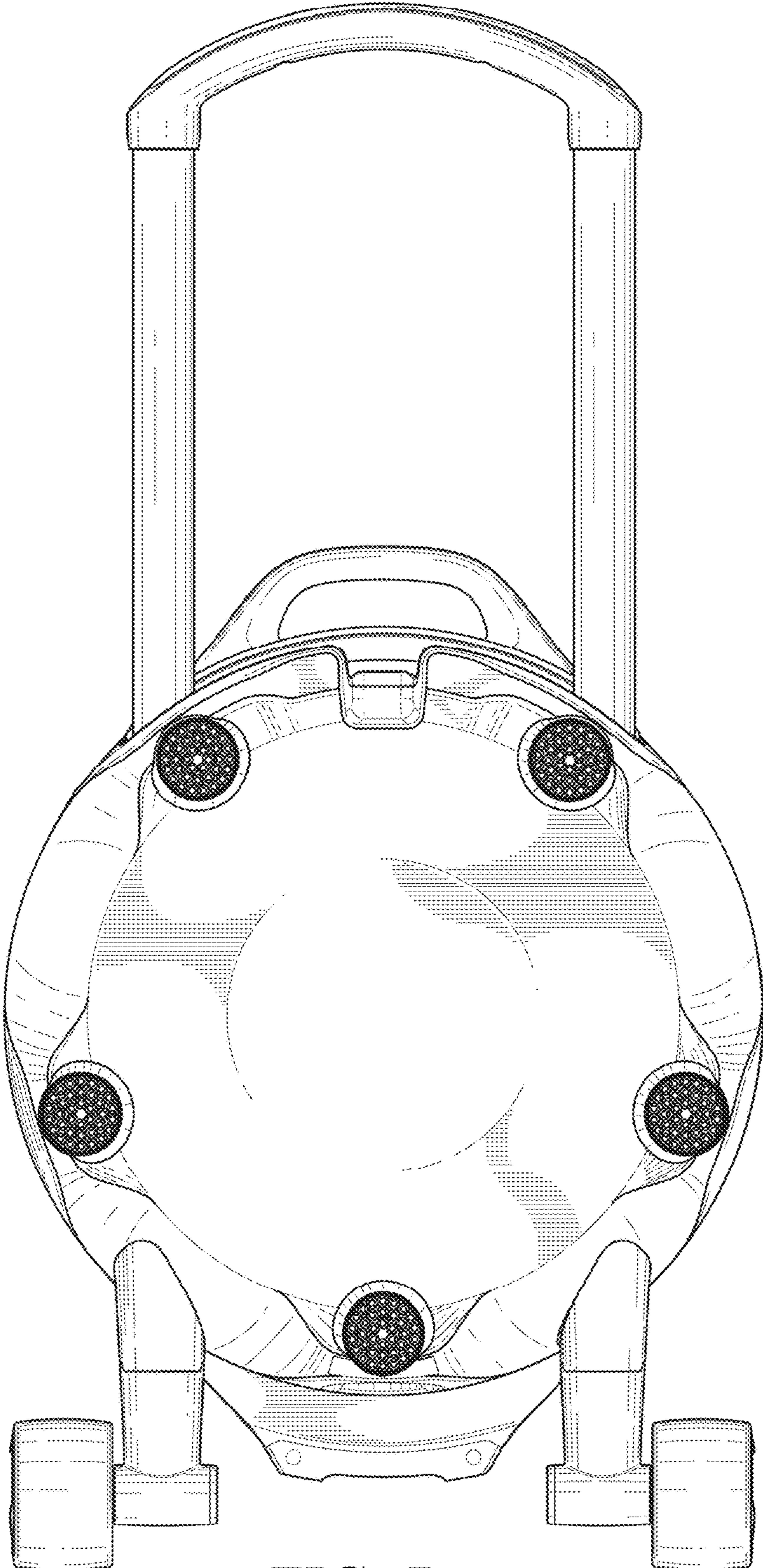


FIG. 7