



US00D948992S

(12) **United States Design Patent**
Werlinger

(10) **Patent No.:** **US D948,992 S**
(45) **Date of Patent:** **** Apr. 19, 2022**

(54) **REBAR JIG**

(71) Applicant: **Gary Werlinger**, Gilbert, AZ (US)

(72) Inventor: **Gary Werlinger**, Gilbert, AZ (US)

(**) Term: **15 Years**

(21) Appl. No.: **29/788,948**

(22) Filed: **Aug. 17, 2021**

Related U.S. Application Data

(62) Division of application No. 29/741,406, filed on Jul. 13, 2020, now Pat. No. Des. 927,966, which is a division of application No. 29/608,987, filed on Jun. 27, 2017, now Pat. No. Des. 889,938.

(51) **LOC (13) Cl.** **08-05**

(52) **U.S. Cl.**
USPC **D8/354**

(58) **Field of Classification Search**
USPC D8/354; D25/66
CPC E06C 1/32
See application file for complete search history.

(56) **References Cited**

U.S. PATENT DOCUMENTS

277,374 A *	5/1883	Strohm	H01B 3/082 174/111
289,165 A *	11/1883	Strohm	H01B 3/082 174/111
354,892 A *	12/1886	Du Bois	E04C 5/208 174/99 R
3,694,989 A	10/1972	Oliver		
5,347,787 A	9/1994	Gavin		
5,542,785 A	8/1996	Cloud		
5,904,347 A *	5/1999	Lin	B23Q 1/40 269/76

6,115,987 A	9/2000	Tatum		
6,385,938 B1	5/2002	Gavin		
6,860,077 B2	3/2005	Yin		
7,451,579 B2	11/2008	Azarin		
D587,096 S	2/2009	Smith		
D587,097 S	2/2009	Smith		
7,735,273 B2	6/2010	Knepp		
7,850,399 B2	12/2010	Render		
D641,611 S	7/2011	Minayoshi		
8,387,329 B2	3/2013	Stevens		
8,496,237 B2	7/2013	Rolle		
8,533,956 B2	9/2013	Perry		
9,745,752 B2	8/2017	Strabala		
D858,799 S	9/2019	Anderson		
D889,938 S	7/2020	Werlinger		
10,895,082 B1	1/2021	Werlinger		
D927,966 S *	8/2021	Werlinger	D8/354

* cited by examiner

Primary Examiner — Keli L Hill

Assistant Examiner — Harold E Blackwell, II

(74) *Attorney, Agent, or Firm* — Adam R. Stephenson, Ltd.

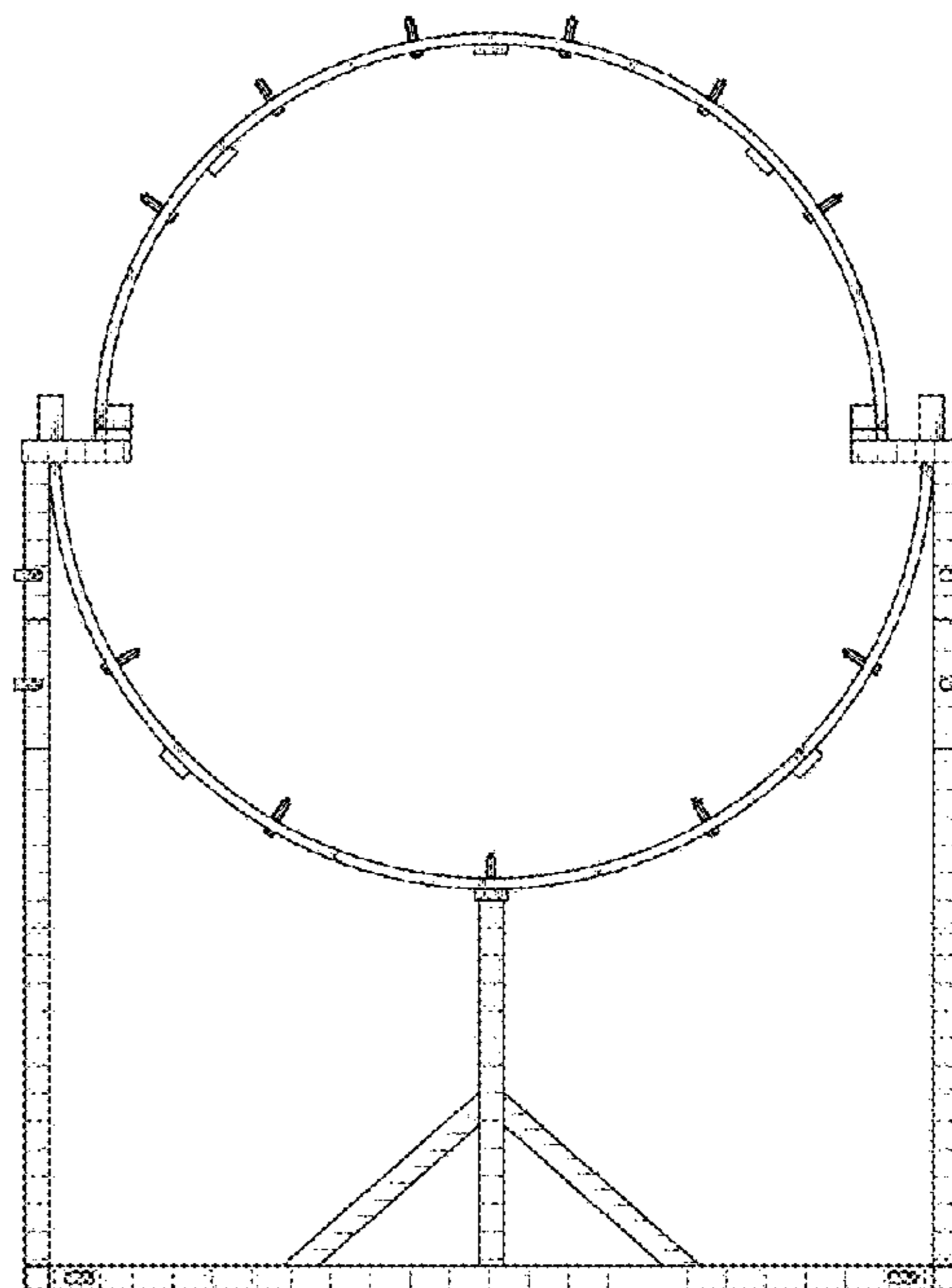
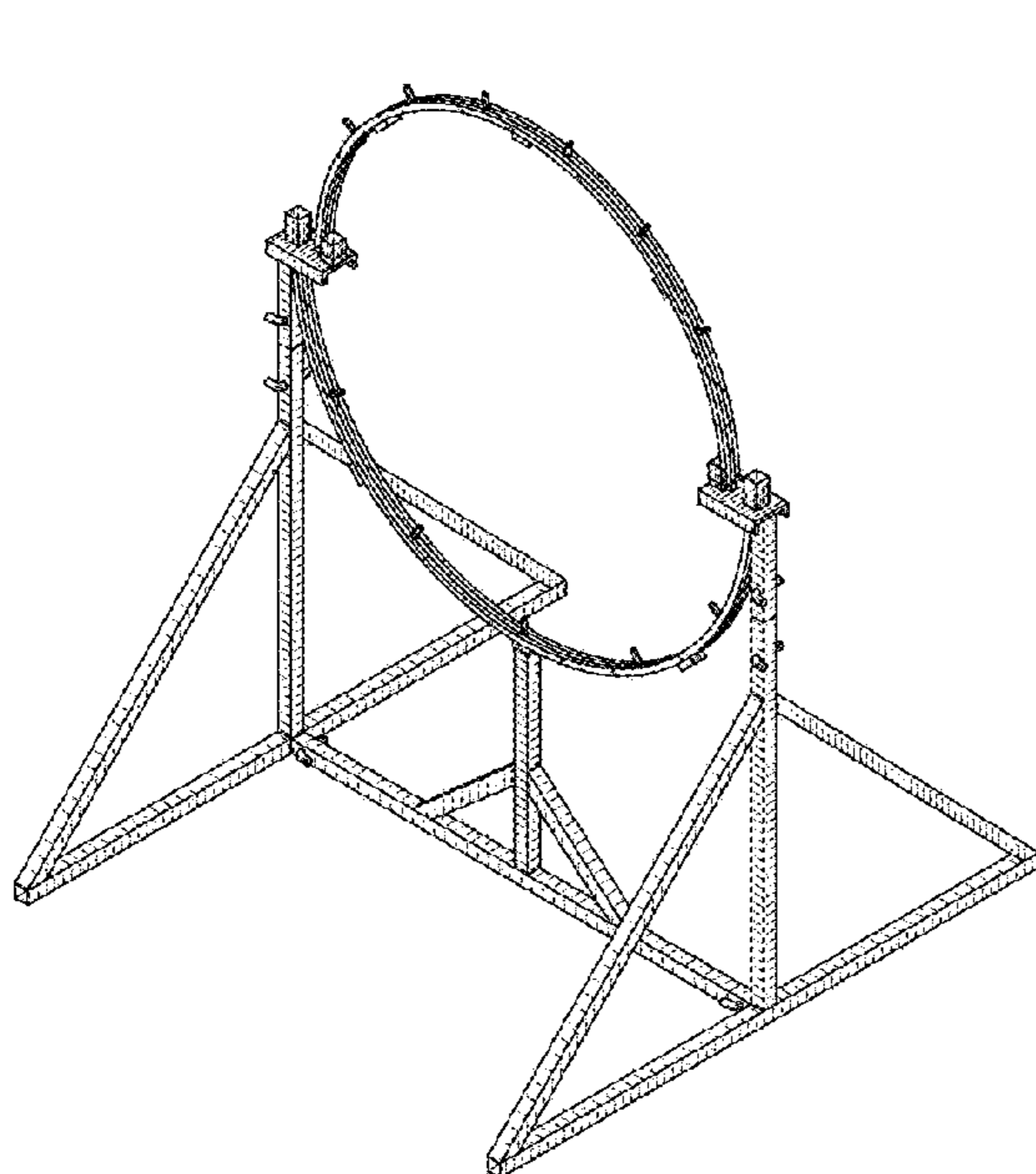
(57) **CLAIM**

The ornamental design for a rebar jig, as shown and described.

DESCRIPTION

FIG. 1 is a front perspective view of a rebar jig;
FIG. 2 is a front view thereof;
FIG. 3 is a rear view thereof;
FIG. 4 is a left view thereof;
FIG. 5 is a right view thereof;
FIG. 6 is a top view thereof; and,
FIG. 7 is a bottom view thereof.

1 Claim, 7 Drawing Sheets



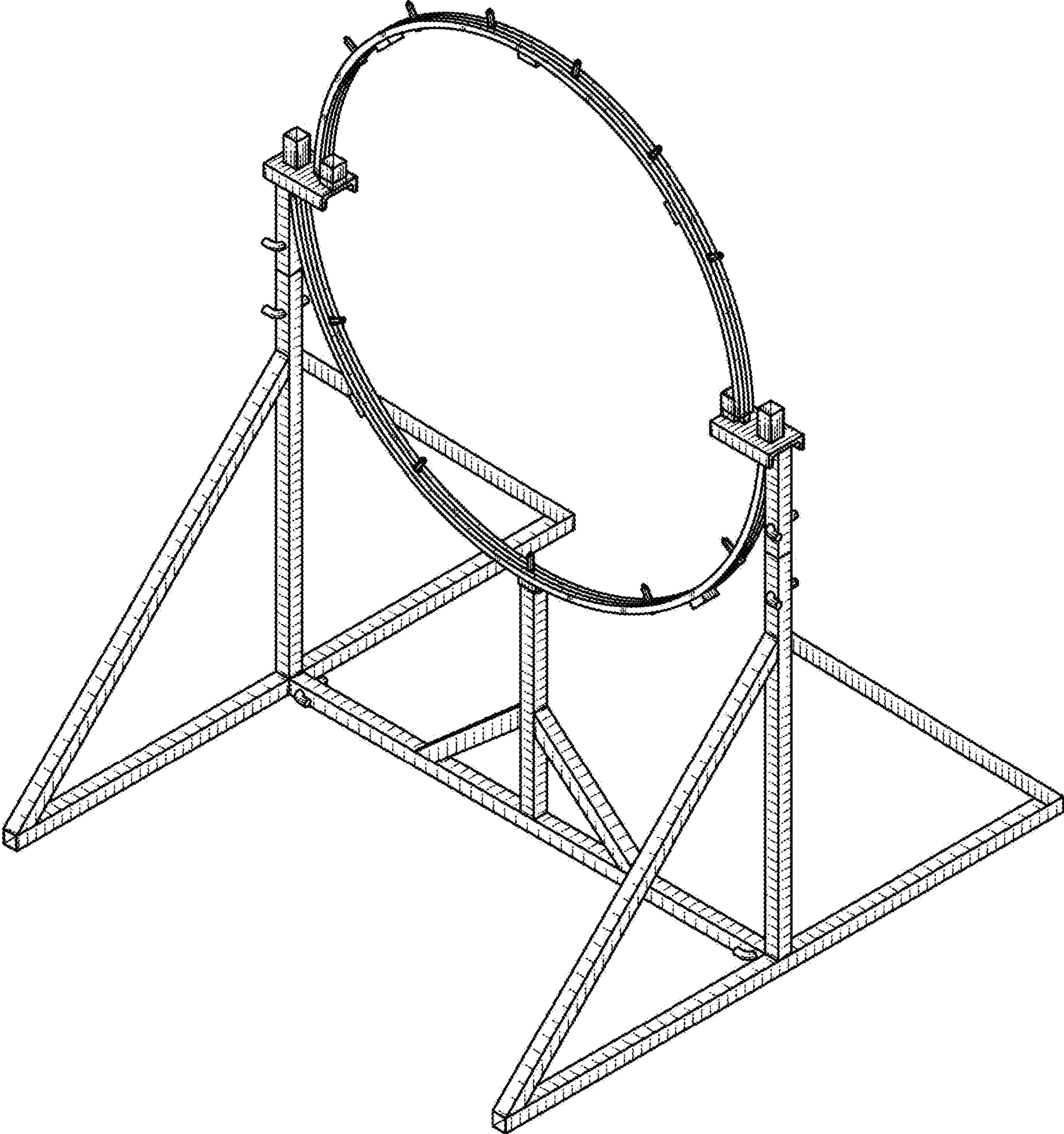


FIG. 1

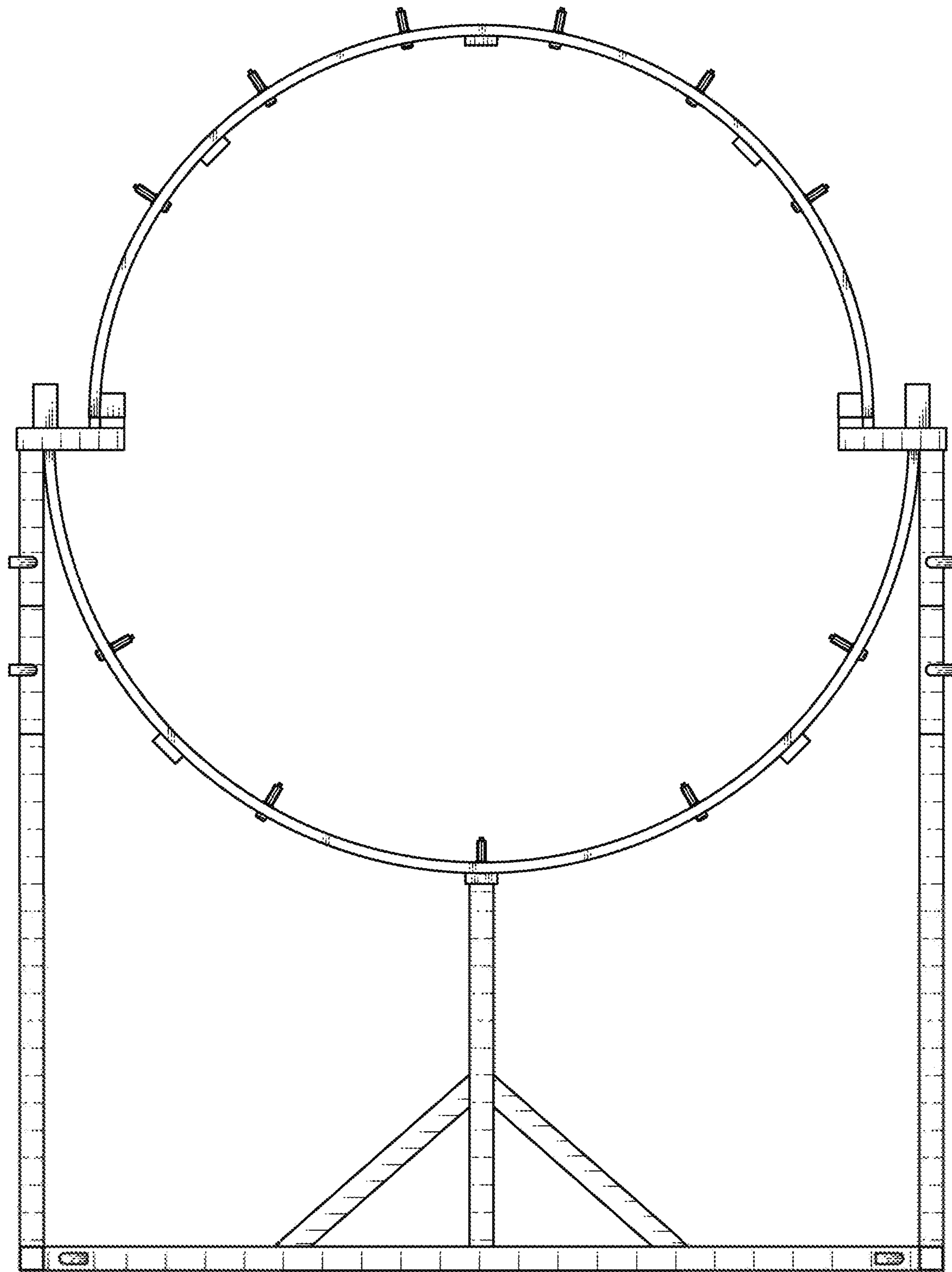


FIG. 2

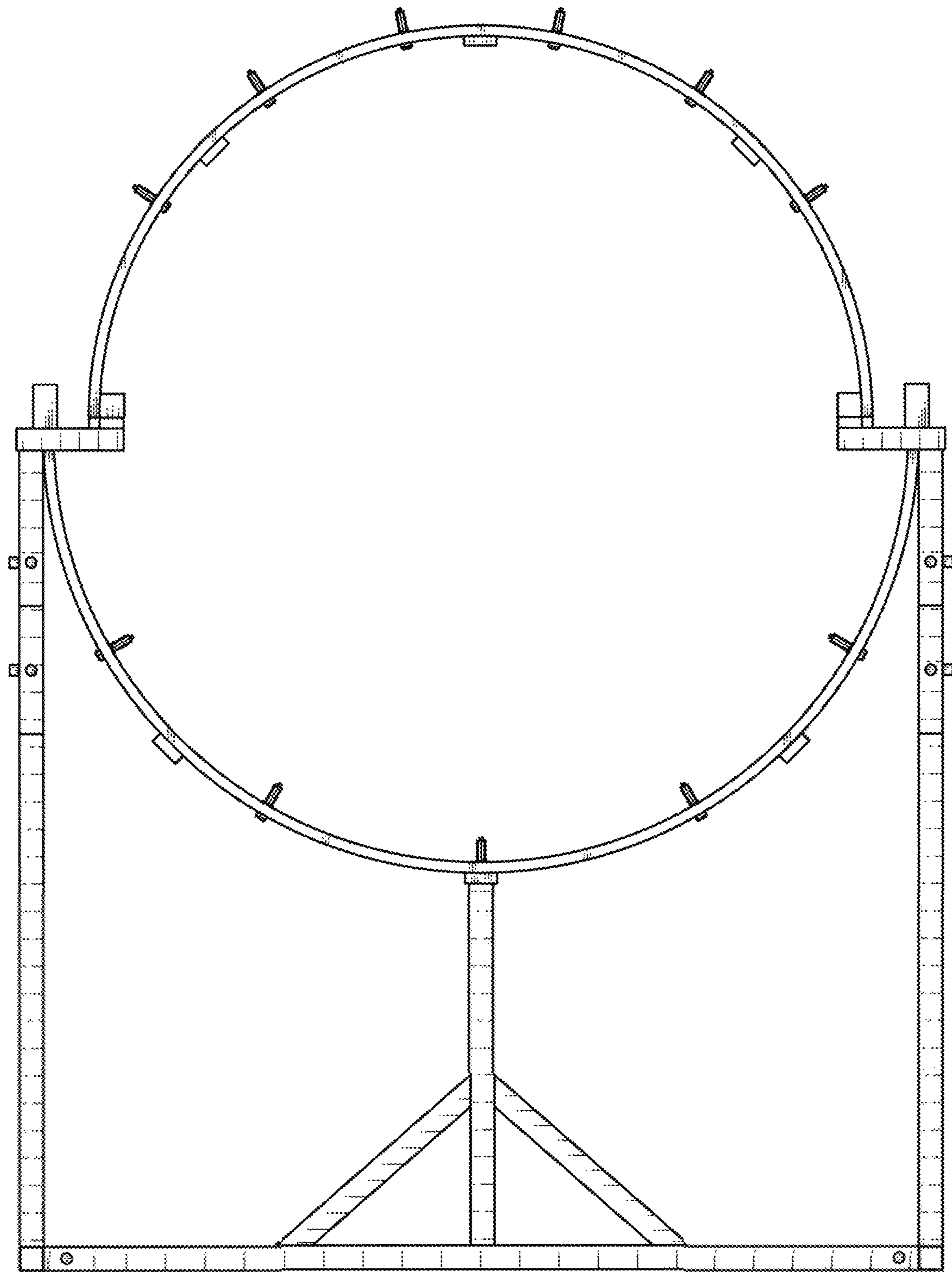


FIG. 3

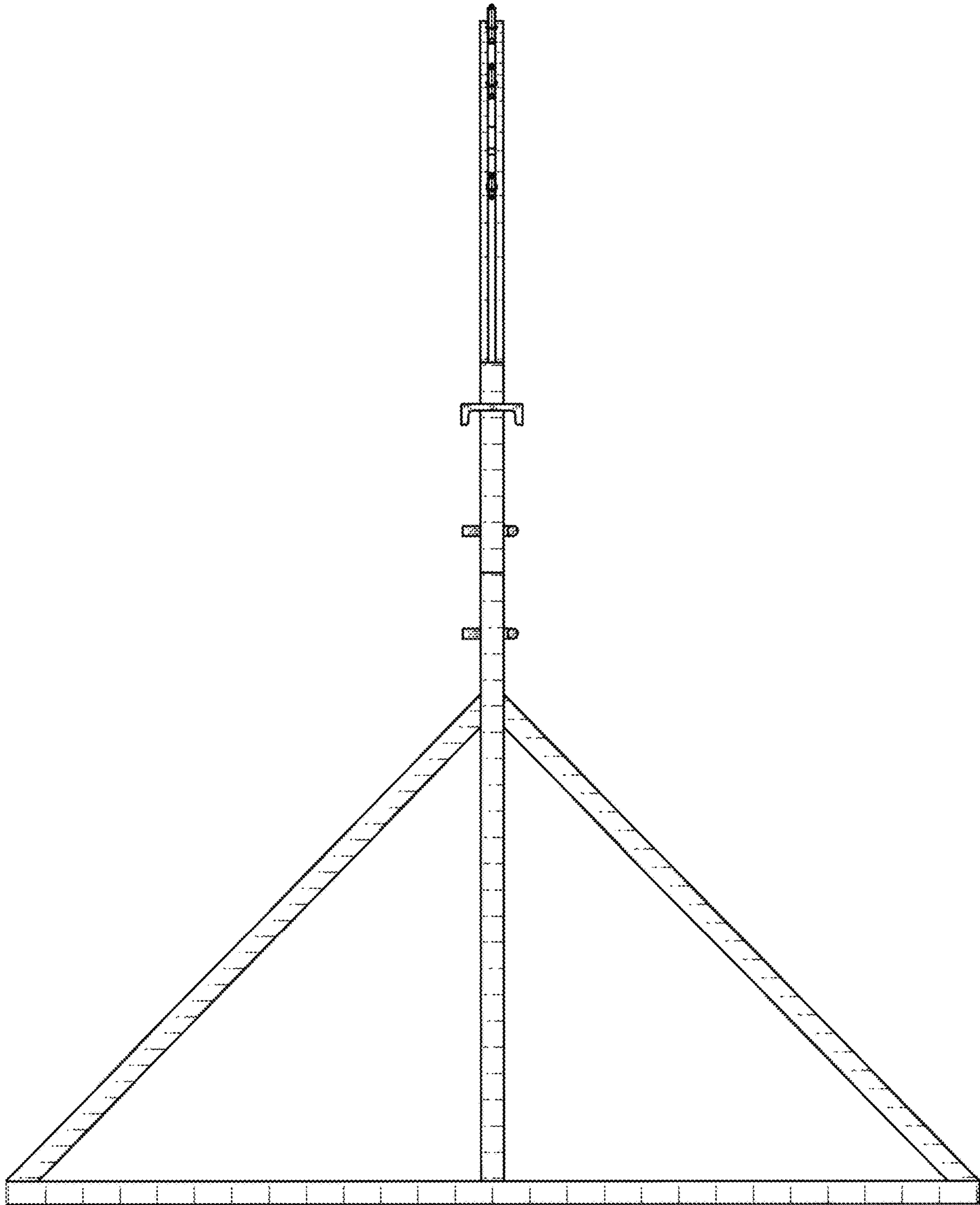


FIG. 4

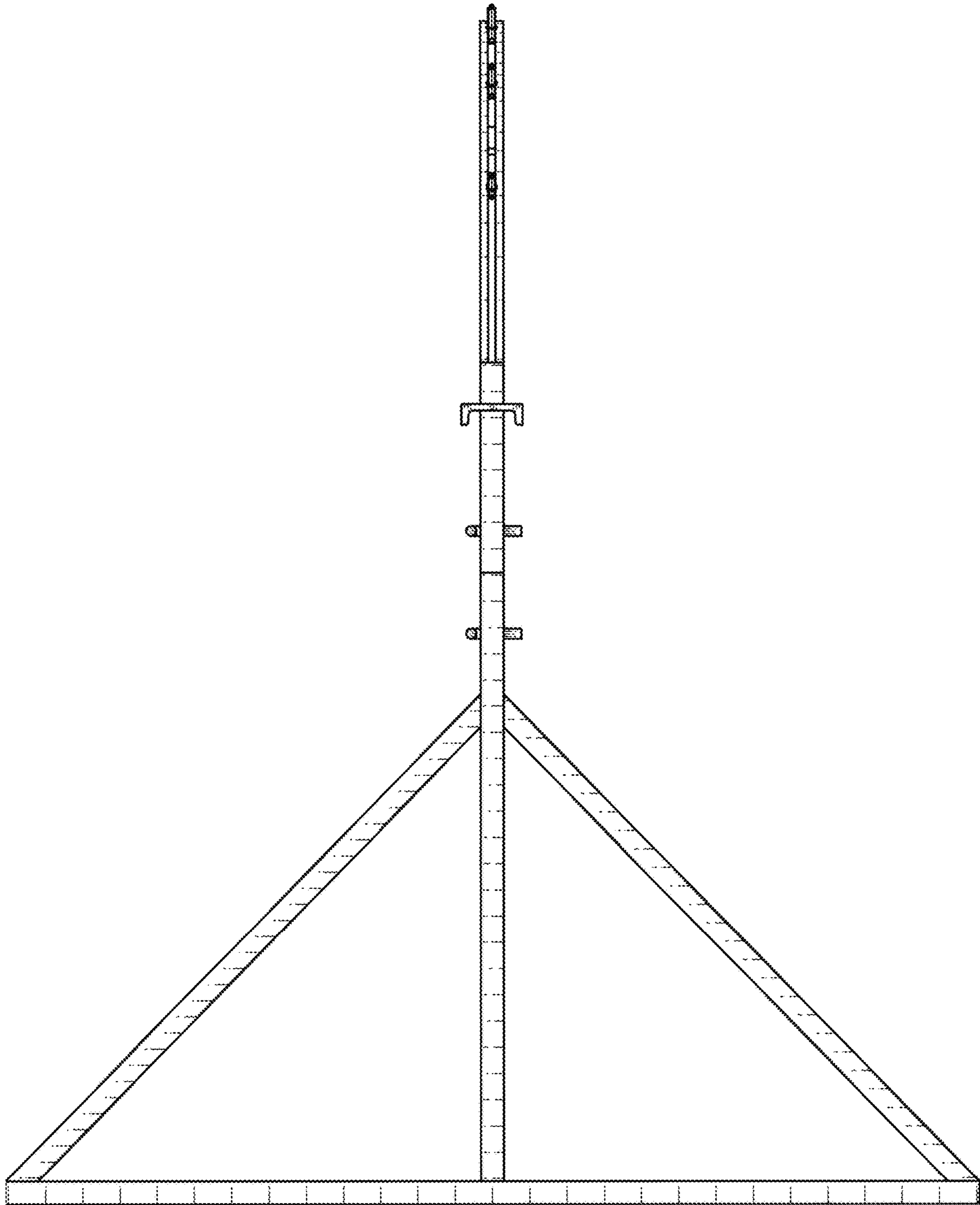


FIG. 5

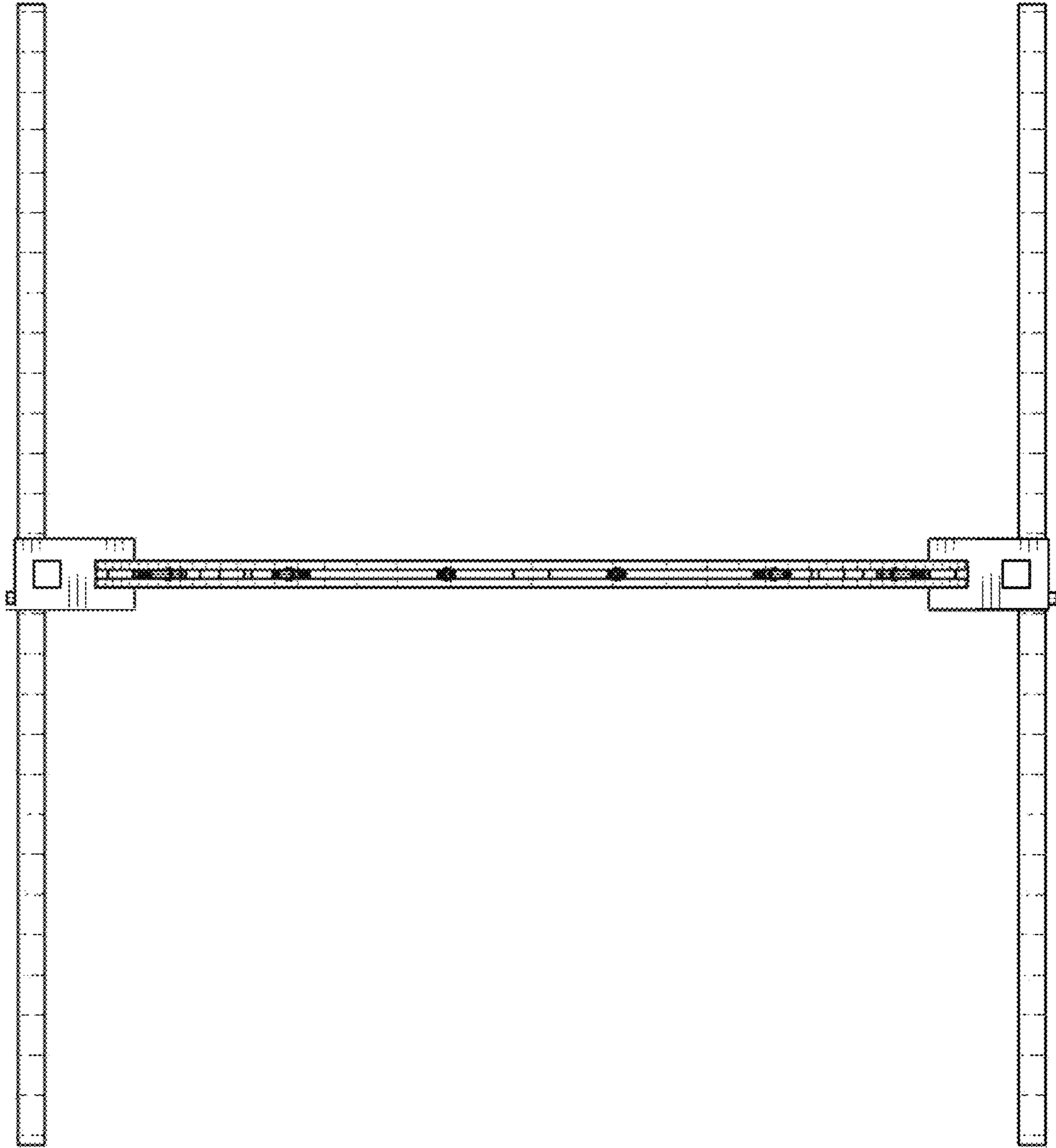


FIG. 6

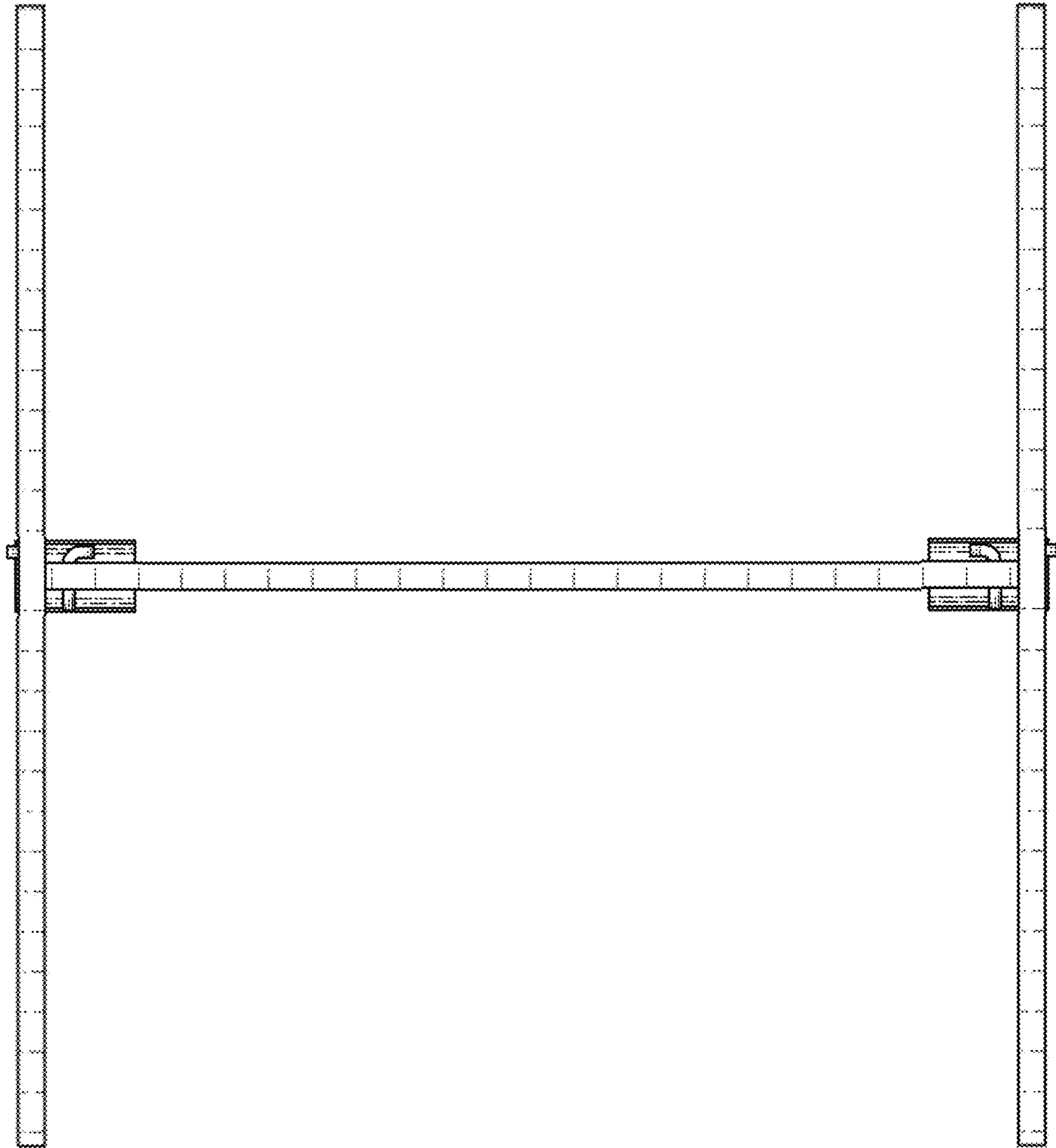


FIG. 7