



US00D948991S

(12) **United States Design Patent** (10) **Patent No.:** **US D948,991 S**
Stoops (45) **Date of Patent:** **** Apr. 19, 2022**

(54) **BRACKET**

(71) Applicant: **Kevin R. Stoops**, Bucyrus, KS (US)

(72) Inventor: **Kevin R. Stoops**, Bucyrus, KS (US)

(**) Term: **15 Years**

(21) Appl. No.: **29/770,973**

(22) Filed: **Feb. 18, 2021**

D221,141 S	7/1971	Wormser	
3,613,044 A	10/1971	Rarick	
3,773,969 A	11/1973	Geisel	
3,792,414 A	2/1974	Smith	
D244,817 S *	6/1977	Schweitzer D6/572
D260,758 S	9/1981	Borugian	
D264,756 S	6/1982	Andersson	
4,476,462 A	10/1984	Feldman	
4,542,442 A	9/1985	Drexler	
4,948,281 A	8/1990	Werner	

(Continued)

Related U.S. Application Data

(63) Continuation of application No. 16/779,800, filed on Feb. 3, 2020, now Pat. No. 10,936,087, which is a continuation-in-part of application No. 16/505,476, filed on Jul. 8, 2019, now Pat. No. 10,642,374, which is a continuation of application No. 15/599,400, filed on May 18, 2017, now Pat. No. 10,345,920, and a continuation-in-part of application No. 29/614,843, filed on Aug. 23, 2017, now Pat. No. Des. 892,597, and a continuation-in-part of application No. 29/629,850, filed on Dec. 15, 2017, now Pat. No. Des. 874,250.

(51) **LOC (13) Cl.** **08-05**

(52) **U.S. Cl.**
USPC **D8/354**

(58) **Field of Classification Search**
USPC D8/349, 354, 380, 382, 366, 363, 371,
D8/373, 376; D6/672, 684, 680, 683.1,
D6/703.5, 572, 577, 580
CPC F16B 5/00; F16B 5/02; F16B 12/50
See application file for complete search history.

(56) **References Cited**

U.S. PATENT DOCUMENTS

D168,455 S *	12/1952	Johnson D6/572
D200,099 S	1/1965	Attwood	
D211,082 S	5/1968	La Londe	
D217,223 S	4/1970	Knohl	

OTHER PUBLICATIONS

“Corrected Notice of Allowance Received for U.S. Appl. No. 16/779,800, dated Dec. 9, 2020”.

(Continued)

Primary Examiner — Keli L Hill

Assistant Examiner — Harold E Blackwell, II

(74) *Attorney, Agent, or Firm* — Kutak Rock LLP; Brian L. Main

(57) **CLAIM**

The ornamental design for a bracket, as shown and described.

DESCRIPTION

FIG. 1 is a perspective view of the bracket of the instant invention.

FIG. 2 is a front elevation view of the bracket of FIG. 1.

FIG. 3 is a rear elevation view of the bracket of FIG. 1.

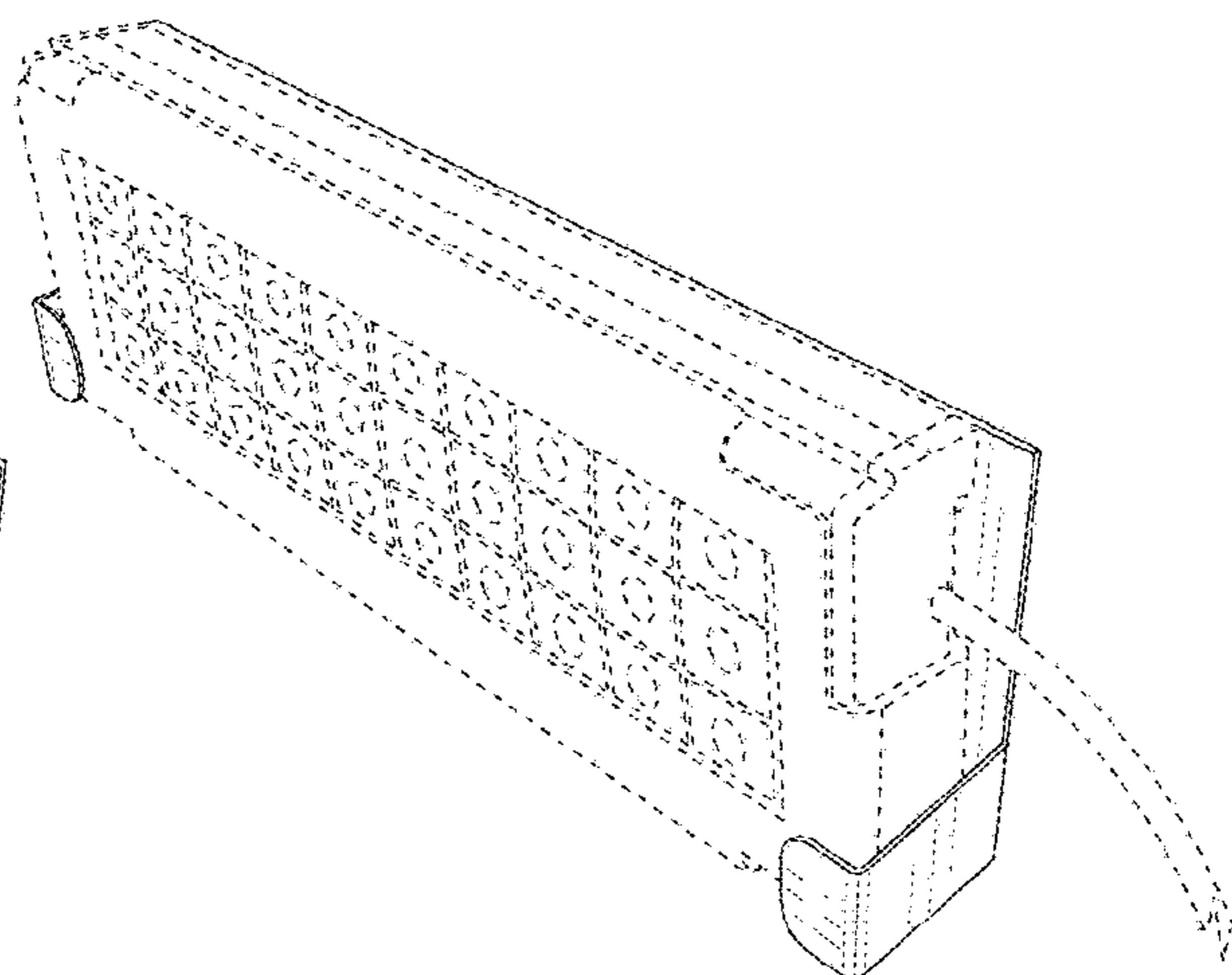
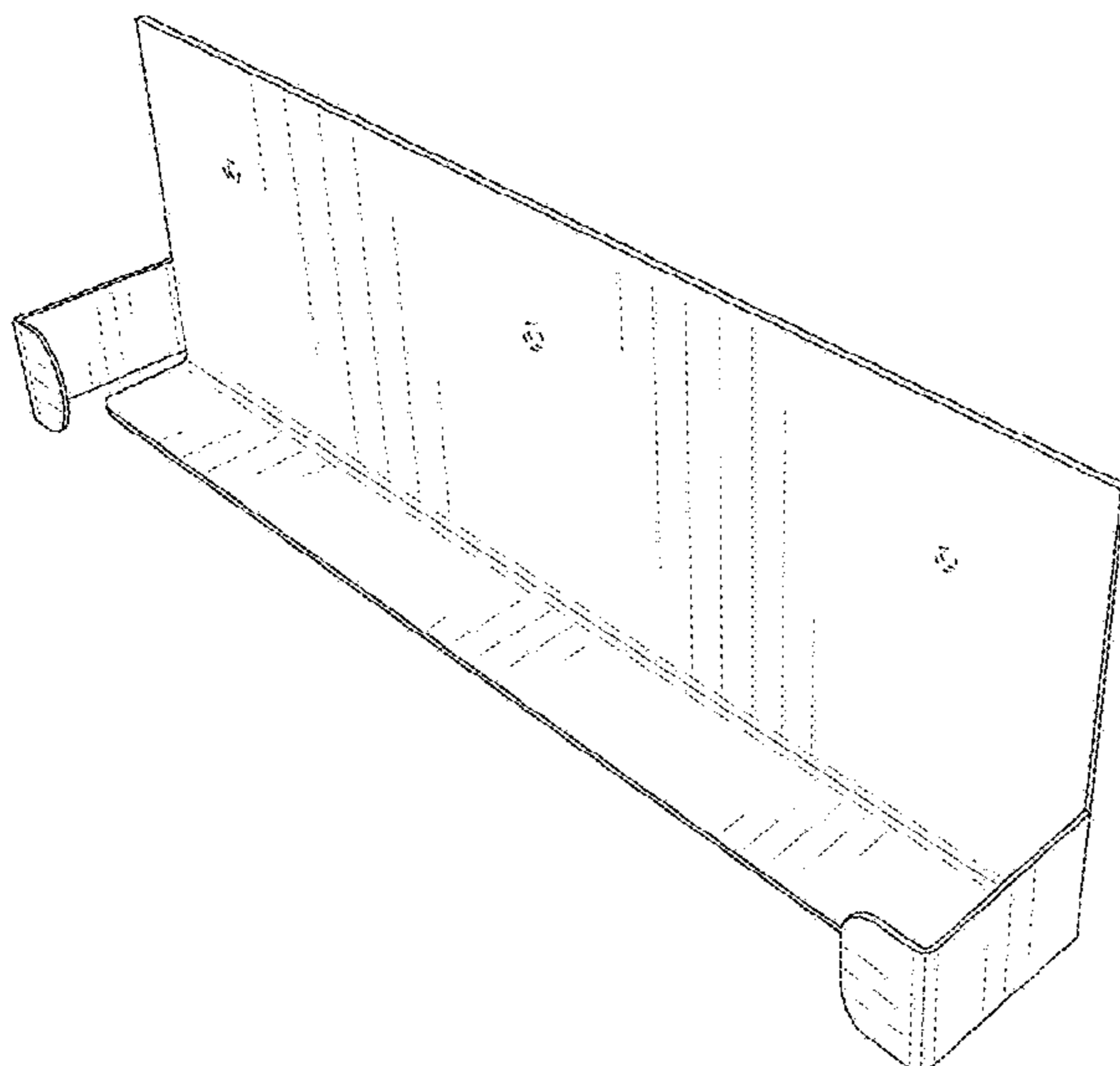
FIG. 4 is a right side elevation view of the bracket of FIG. 1, the opposing side view being a mirror image thereof.

FIG. 5 is a top plan view of the bracket of FIG. 1; and,

FIG. 6 is a perspective view of the bracket of FIG. 1, shown with a keypad enclosure.

The broken lines showing a support flange and a keypad enclosure are for the purpose of illustrating environment and form no part of the claim.

1 Claim, 6 Drawing Sheets



(56)

References Cited

U.S. PATENT DOCUMENTS

D310,478 S * 9/1990 Lang D8/373
 D321,293 S * 11/1991 Kucsak D6/672
 5,110,228 A 5/1992 Yokomizo
 5,144,302 A 9/1992 Carter et al.
 5,237,487 A 8/1993 Dittmer et al.
 D342,011 S 12/1993 Maguire
 5,403,207 A 4/1995 Briones
 5,982,357 A 11/1999 Burgett et al.
 D422,483 S 4/2000 Shea
 D438,448 S 3/2001 Batting et al.
 D442,705 S 5/2001 Eaton
 6,259,044 B1 7/2001 Paratore et al.
 6,365,848 B1 4/2002 Maple
 6,580,799 B1 6/2003 Azima et al.
 D478,801 S * 8/2003 Spruill D8/354
 6,685,369 B2 2/2004 Lien
 6,686,908 B1 2/2004 Kobayashi
 6,705,787 B2 3/2004 Jeffries et al.
 6,727,890 B2 4/2004 Andres et al.
 6,765,158 B1 7/2004 Morrison et al.
 D507,665 S 7/2005 Ryan et al.
 D516,079 S 2/2006 Solomon et al.
 7,012,206 B2 3/2006 Oikawa
 7,038,598 B2 5/2006 Uke
 7,091,955 B2 8/2006 Kramer
 D540,396 S 4/2007 Kawanobe et al.
 7,393,149 B2 7/2008 Galeev et al.
 D588,441 S 3/2009 Clarke
 D594,008 S 6/2009 Doczy et al.
 D613,745 S 4/2010 Arbisi et al.
 D615,848 S 5/2010 Prichard et al.
 D618,085 S 6/2010 Lin et al.
 D621,963 S 8/2010 Zadeh
 7,787,912 B2 8/2010 Saila
 D644,339 S 8/2011 Sutton
 7,997,770 B1 8/2011 Meurer
 8,046,032 B2 10/2011 Babella
 D664,960 S 8/2012 Stoops
 D667,249 S * 9/2012 London D6/553
 D689,760 S 9/2013 Chen
 D699,097 S 2/2014 Chung et al.
 8,773,864 B2 7/2014 Rapp et al.
 D724,418 S 3/2015 Fairchild
 9,016,965 B1 4/2015 Stoops et al.
 D730,080 S * 5/2015 Henn D6/574
 D746,122 S 12/2015 Stoops
 D750,909 S * 3/2016 Hickman D6/310
 D764,256 S * 8/2016 DeDios-Shirley D8/349
 D765,492 S 9/2016 Akers
 D767,166 S 9/2016 Sparks
 D767,973 S * 10/2016 DeDios-Shirley D8/349
 D777,167 S * 1/2017 Wengreen D14/447
 D779,312 S 2/2017 Stanley
 D782,289 S 3/2017 Darby et al.
 D789,564 S 6/2017 Lopez
 D789,565 S 6/2017 Lopez
 9,706,025 B2 7/2017 Ikeda et al.
 D794,420 S * 8/2017 Emmons D8/349
 D796,302 S 9/2017 Bright et al.
 D802,167 S 11/2017 Gyetvai
 D803,030 S * 11/2017 Wengreen F16M 11/041
 D820,664 S 6/2018 Allen et al.
 D821,851 S 7/2018 Stahl et al.
 D822,453 S 7/2018 Kanter
 D822,455 S 7/2018 Stahl et al.
 D823,095 S 7/2018 Stahl et al.
 D834,921 S 12/2018 Rose et al.
 10,345,920 B2 7/2019 Stoops
 D855,439 S 8/2019 Schmonsees
 D855,440 S 8/2019 Schmonsees et al.
 D855,441 S 8/2019 Schmonsees et al.
 D856,117 S 8/2019 Homza et al.
 D863,040 S * 10/2019 DeDios-Shirley D8/354
 D865,487 S * 11/2019 DeDios-Shirley D8/354

D874,250 S 2/2020 Stoops
 D878,095 S * 3/2020 Dunahay D6/553
 10,642,374 B2 5/2020 Stoops
 D892,597 S * 8/2020 Stoops D8/354
 D906,095 S * 12/2020 DeDios-Shirley D8/354
 10,936,087 B2 3/2021 Stoops
 D916,521 S * 4/2021 Cao D6/574
 D931,711 S * 9/2021 Sharma D8/354
 D935,801 S * 11/2021 Wang D6/574
 2003/0044000 A1 3/2003 Kfoury et al.
 2003/0078014 A1 4/2003 Salminen et al.
 2003/0108374 A1 6/2003 Lien
 2004/0013456 A1 1/2004 Hochgesang et al.
 2004/0136167 A1 7/2004 Sullivan
 2004/0207976 A1 10/2004 Hamada et al.
 2005/0083307 A1 4/2005 Aufderheide et al.
 2006/0159506 A1 7/2006 Cheng et al.
 2007/0041770 A1 2/2007 Galeev et al.
 2007/0099675 A1 5/2007 Silverbrook
 2007/0235309 A1 10/2007 Tsu
 2007/0290889 A1 12/2007 Wiley
 2008/0085142 A1 4/2008 Caveney et al.
 2008/0297994 A1 12/2008 Shi
 2008/0309633 A1 12/2008 Hotelling et al.
 2009/0167287 A1 7/2009 Van Meijl et al.
 2009/0174994 A1 7/2009 Merz
 2010/0253552 A1 10/2010 Lanceros et al.
 2010/0302168 A1 12/2010 Giancarlo et al.
 2011/0017524 A1 1/2011 Chen et al.
 2011/0095918 A1 4/2011 Kim et al.
 2011/0203913 A1 8/2011 Chen
 2012/0032821 A1 2/2012 Senatori
 2012/0050076 A1 3/2012 Ku
 2012/0111173 A1 5/2012 Bowen
 2012/0113013 A1 5/2012 Lee et al.
 2015/0077330 A1 3/2015 Okabe
 2015/0211688 A1 7/2015 Shan
 2015/0220161 A1 8/2015 Ryabchenko
 2015/0264823 A1 * 9/2015 Shirley F16M 13/02
 248/287.1
 2015/0290965 A1 * 10/2015 Schwartz E04F 11/1838
 428/337
 2016/0378199 A1 12/2016 Sizelove et al.
 2017/0108180 A1 4/2017 Lee
 2017/0191254 A1 7/2017 Daudet
 2017/0336875 A1 11/2017 Stoops
 2018/0068811 A1 3/2018 Ligtenberg et al.
 2019/0332187 A1 10/2019 Stoops
 2020/0174578 A1 6/2020 Stoops

OTHER PUBLICATIONS

“Ex Parte Quayle Action received for U.S. Appl. No. 29/614,843, dated Dec. 31, 2019, 5 Pages”, 5.
 “Final Office Action received for U.S. Appl. No. 15/599,400, dated Aug. 30, 2018”.
 “Non-Final office Action Received for U.S. Appl. No. 15/599,400, dated Jan. 9, 2018”.
 “Notice of Allowance received for U.S. Appl. No. 16/505,476, dated Jan. 31, 2020”, 8.
 “Notice of Allowance received for U.S. Appl. No. 16/779,800 ,dated Oct. 15, 2020”.
 “Notice of Allowance received for U.S. Appl. No. 29/614,843 , dated Apr. 8, 2020,14 pages”.
 “Notice of Allowance Received for U.S. Appl. No. 29/629,850, dated Sep. 25, 2019, 17 pages”.
 “Notice of Allowance received for U.S. Appl. No. 12/849,009 dated Feb. 23, 2015, 7 Pages”, 7.
 Stoops, Kevin R., “Corrected Notice of Allowance received for U.S. Appl. No. 15/599,400 dated Apr. 23, 2019, 6 Pages”, 6.
 Stoops, Kevin R, “Ex Parte Quayle Action received for U.S. Appl. No. 29/385,677 dated Dec. 29, 2011, 6 Pages”, 6.
 Stoops, Kevin R., “Ex Parte Quayle Action Received for U.S. Appl. No. 29/629,850, dated May 31, 2019, 5 pages”.
 Stoops, Kevin R, “Final office action received for U.S. Appl. No. 12/849,009 dated Mar. 15, 2013, 16 Pages”, 16.

(56)

References Cited

OTHER PUBLICATIONS

Stoops, Kevin R, "Non-Final office action received for U.S. Appl. No. 12/849,009 dated Jul. 30, 2014, 15 Pages", 15.

Stoops, Kevin R "Non-Final office action received for U.S. Appl. No. 12/849,009 dated May 15, 2012, 11 Pages", 11.

Stoops, Kevin R, "Notice of Allowance received for U.S. Appl. No. 29/385,677 dated Mar. 19, 2012, 7 Pages", 7.

Stoops, Kevin R., "Notice of Allowance Received for U.S. Appl. No. 15/599,400, dated Feb. 19, 2019,10 pages", Nov. 24, 2017.

Stoops, Kevin R, "Supplemental Notice of Allowance received for U.S. Appl. No. 29/385,677 dated Jun. 26, 2012, 2 Pages", 2.

* cited by examiner

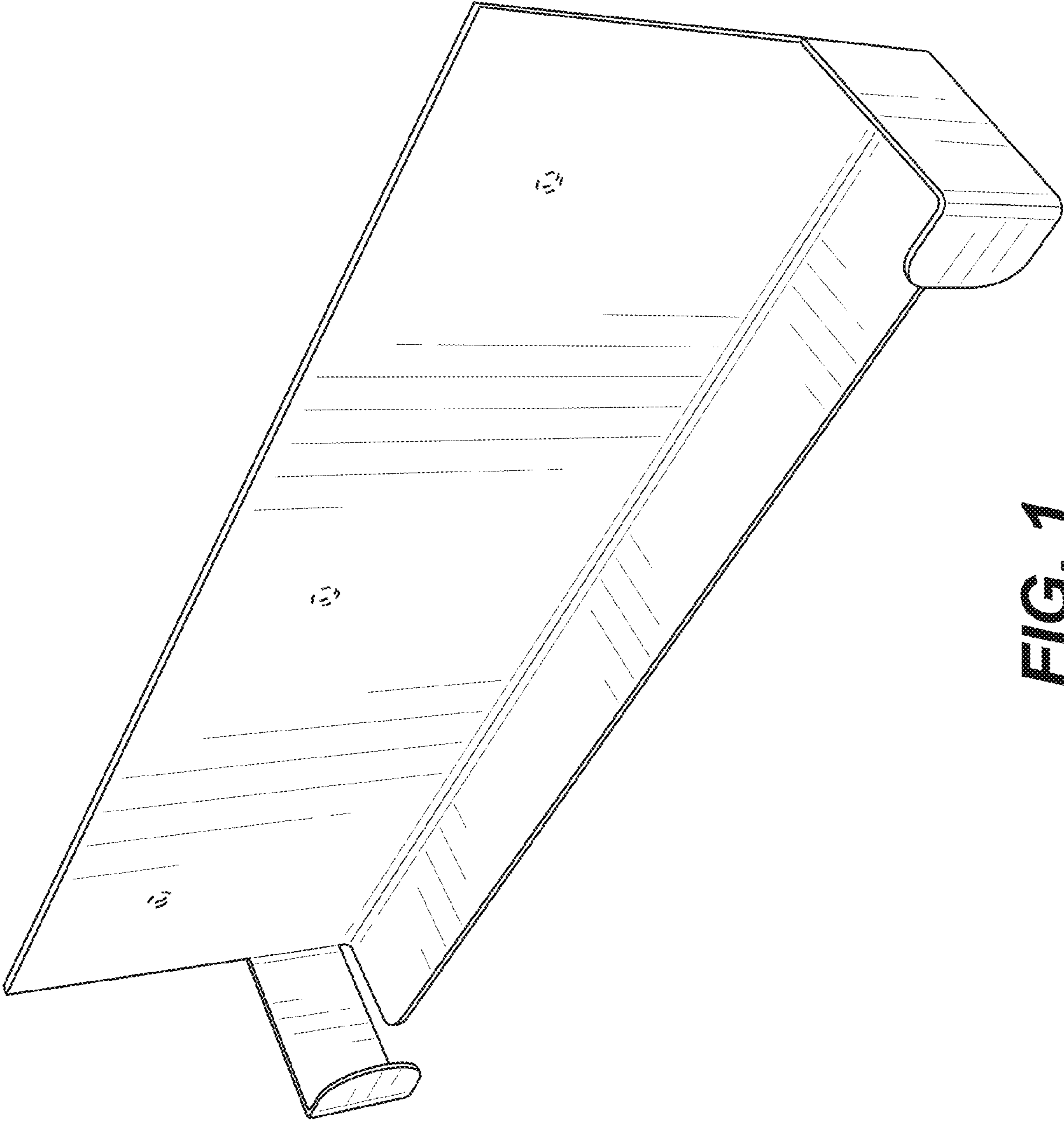


FIG. 1

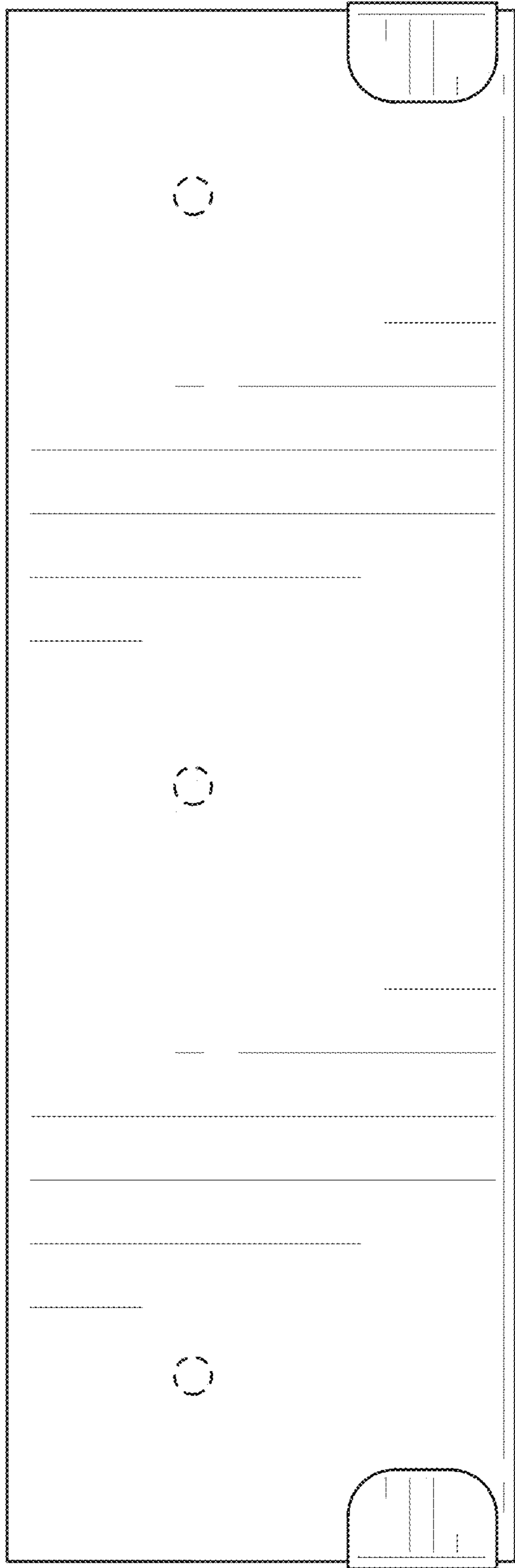


FIG. 2

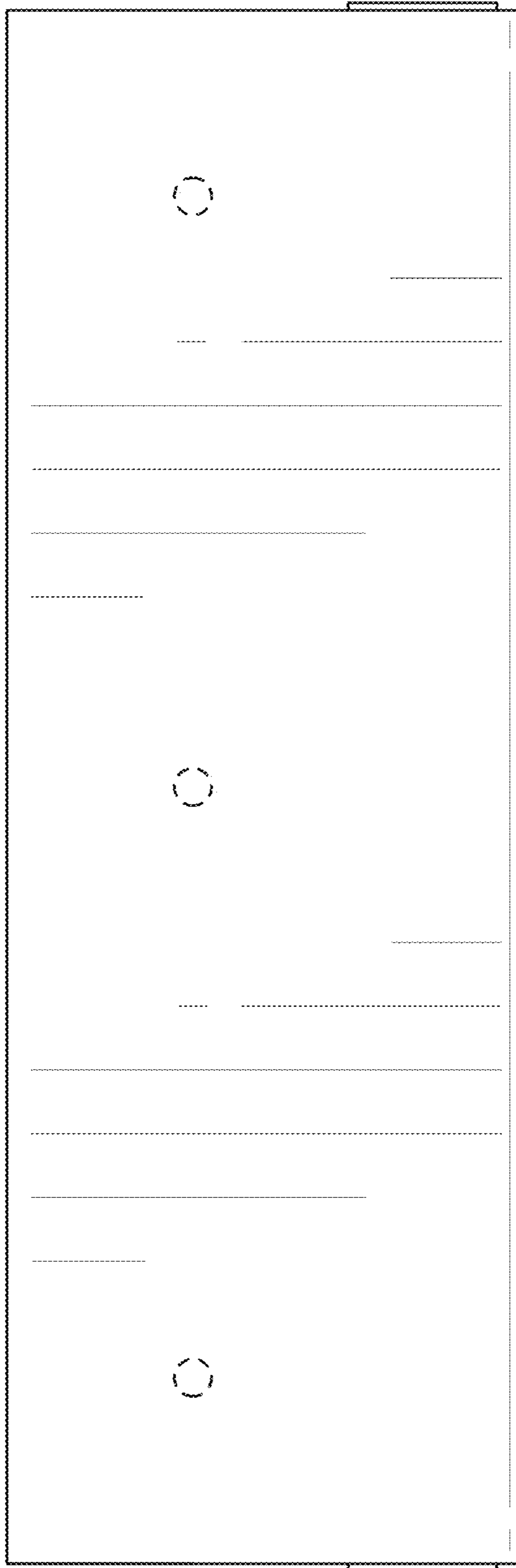


FIG. 3

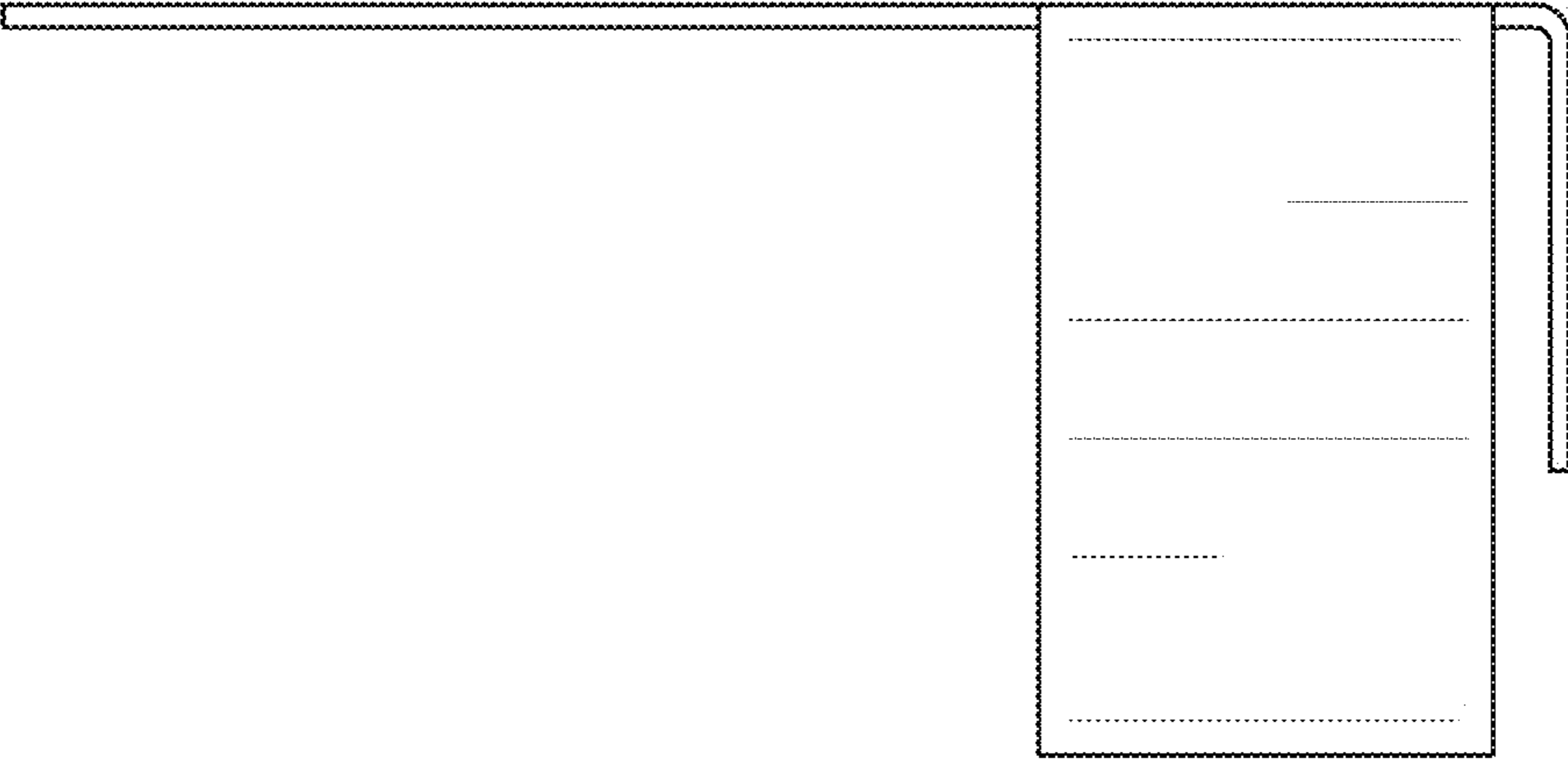


FIG. 4

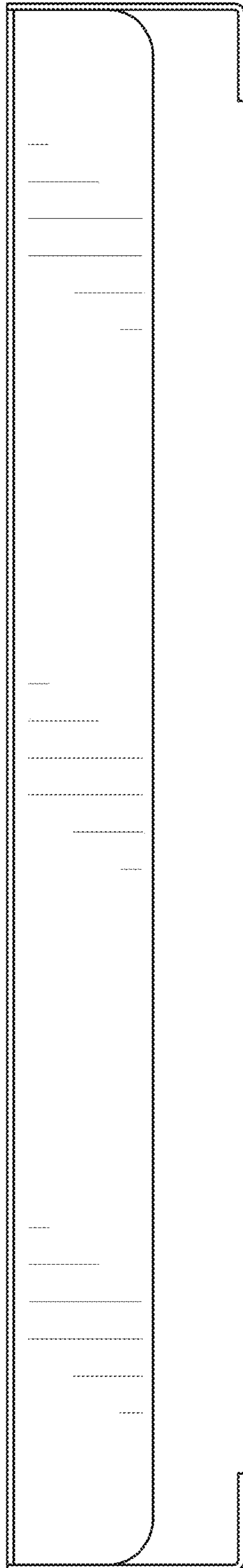


FIG. 5

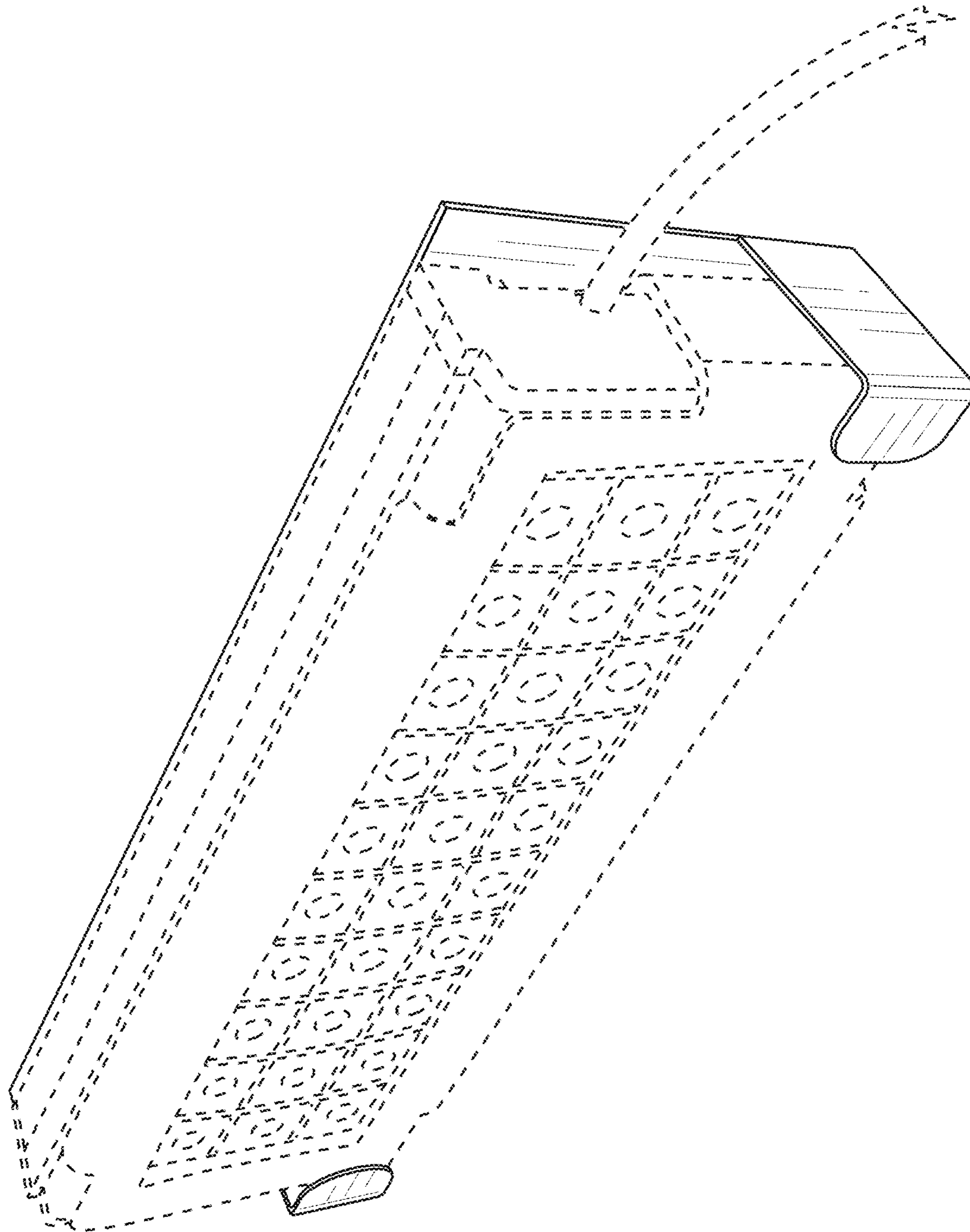


FIG. 6