



US00D948989S

(12) **United States Design Patent**
Para

(10) **Patent No.:** **US D948,989 S**

(45) **Date of Patent:** **** Apr. 19, 2022**

(54) **KNOB**

(71) Applicant: **DELTA FAUCET COMPANY,**
Indianapolis, IN (US)

(72) Inventor: **Lauren Para,** Lisle, IL (US)

(73) Assignee: **DELTA FAUCET COMPANY,**
Indianapolis, IN (US)

(**) Term: **15 Years**

(21) Appl. No.: **29/763,360**

(22) Filed: **Dec. 22, 2020**

(51) **LOC (13) Cl.** **08-06**

(52) **U.S. Cl.**
USPC **D8/310; D8/307**

(58) **Field of Classification Search**
USPC **D8/300, 307, 310, 314, 367; D7/393;**
D23/250, 252, 254

CPC ... **Y10T 292/57; Y10T 16/469; Y10T 292/82;**
Y10T 74/2084; Y10T 292/85; Y10T
16/458; Y10T 16/506; Y10T 70/5155;
Y10T 16/46; Y10T 16/4559; Y10T
74/20828; Y10T 70/8541; Y10T
74/20612; Y10T 16/459; Y10T 16/487;
Y10T 70/5389; Y10T 16/462; Y10T
16/4636; E05B 1/0007; E05B 3/00; Y10S
16/30; Y10S 292/53; Y10S 292/27

See application file for complete search history.

(56) **References Cited**

U.S. PATENT DOCUMENTS

1,961,480	A *	6/1934	De Wees	E05B 1/0015
				16/412
D149,378	S *	4/1948	Rummelsburg	D8/319
D182,457	S *	4/1958	Dargene	D8/307
D324,414	S *	3/1992	Bonnell	D23/252
D324,563	S *	3/1992	Bonnell	D23/252
D495,577	S *	9/2004	Dewald	D8/307
D573,004	S *	7/2008	Bogdan	D8/307
D629,277	S *	12/2010	Maltzan	D8/310
D648,612	S *	11/2011	Mattson	D8/310
D691,019	S *	10/2013	Sakuma	D8/314
2018/0149351	A1 *	5/2018	Wallace	A47B 95/02

* cited by examiner

Primary Examiner — Lauren R Calve

(74) *Attorney, Agent, or Firm* — Nirav D. Parikh; Edgar A. Zarins

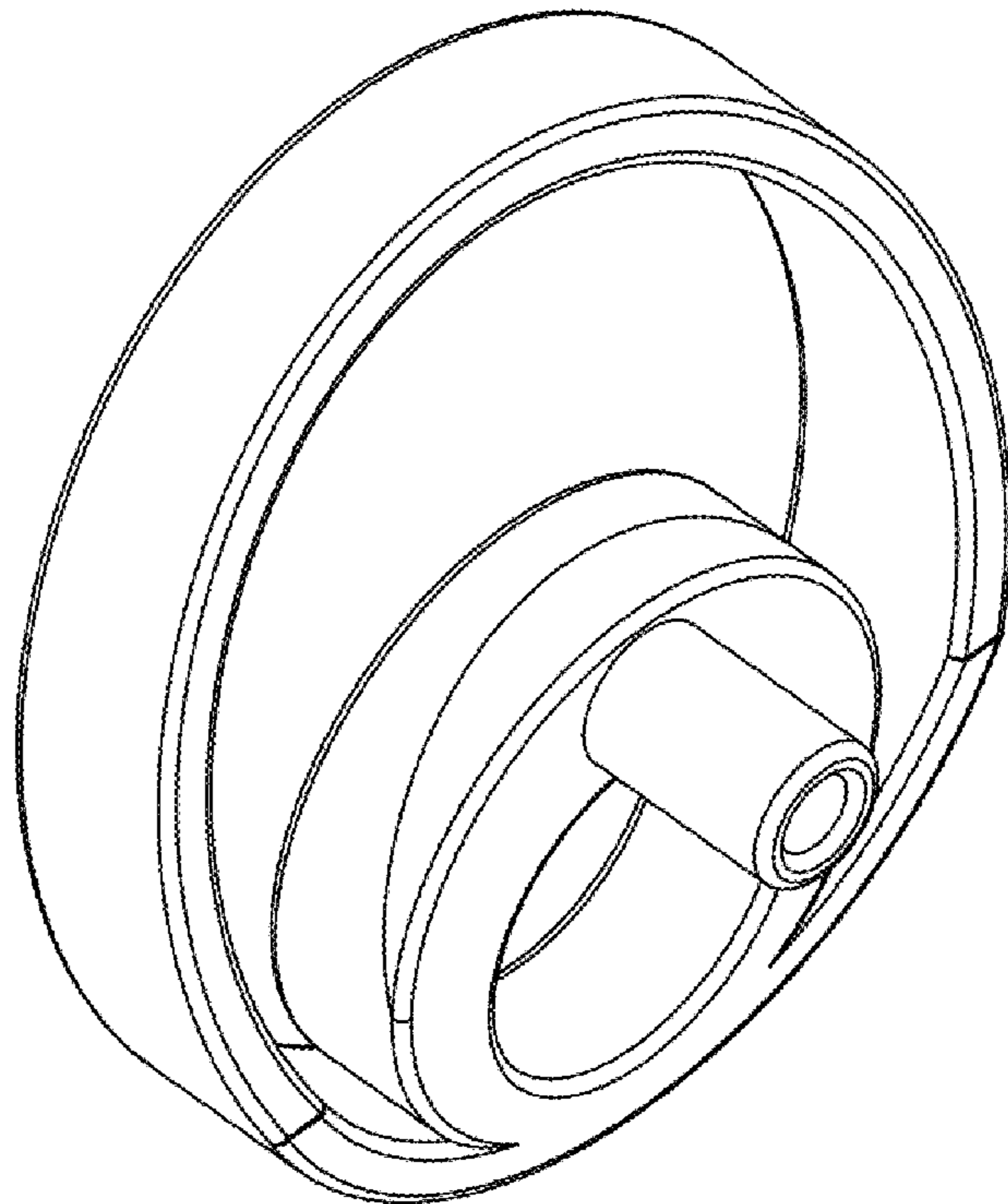
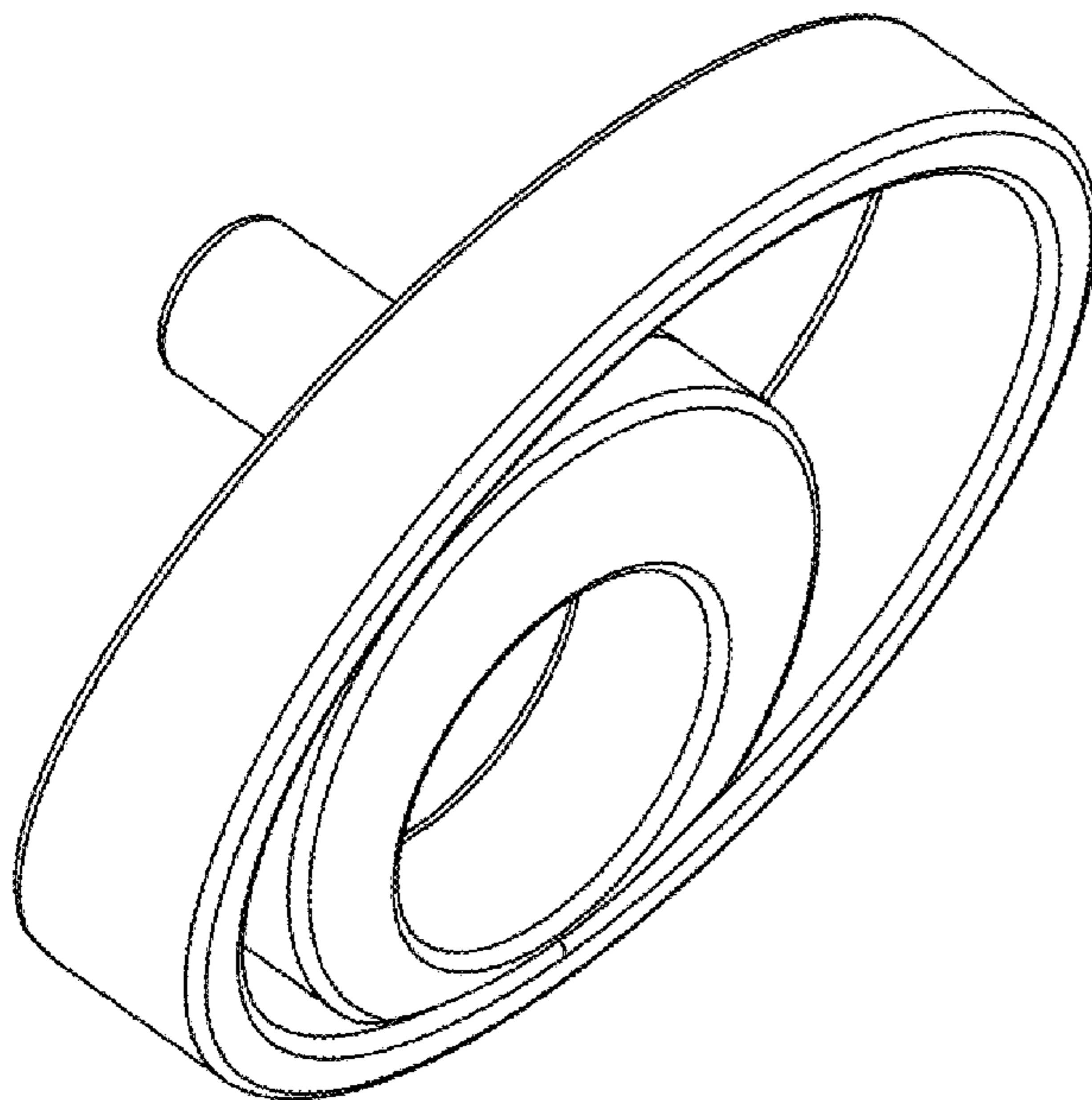
(57) **CLAIM**

The ornamental design for a knob, as shown and described.

DESCRIPTION

FIG. 1 is a front perspective view of a knob showing my new design;
FIG. 2 is a rear perspective view thereof;
FIG. 3 is a front elevational view thereof;
FIG. 4 is a left side view thereof;
FIG. 5 is a rear view thereof;
FIG. 6 is a right side view thereof;
FIG. 7 is a top plan view thereof; and,
FIG. 8 is a bottom view thereof.

1 Claim, 4 Drawing Sheets



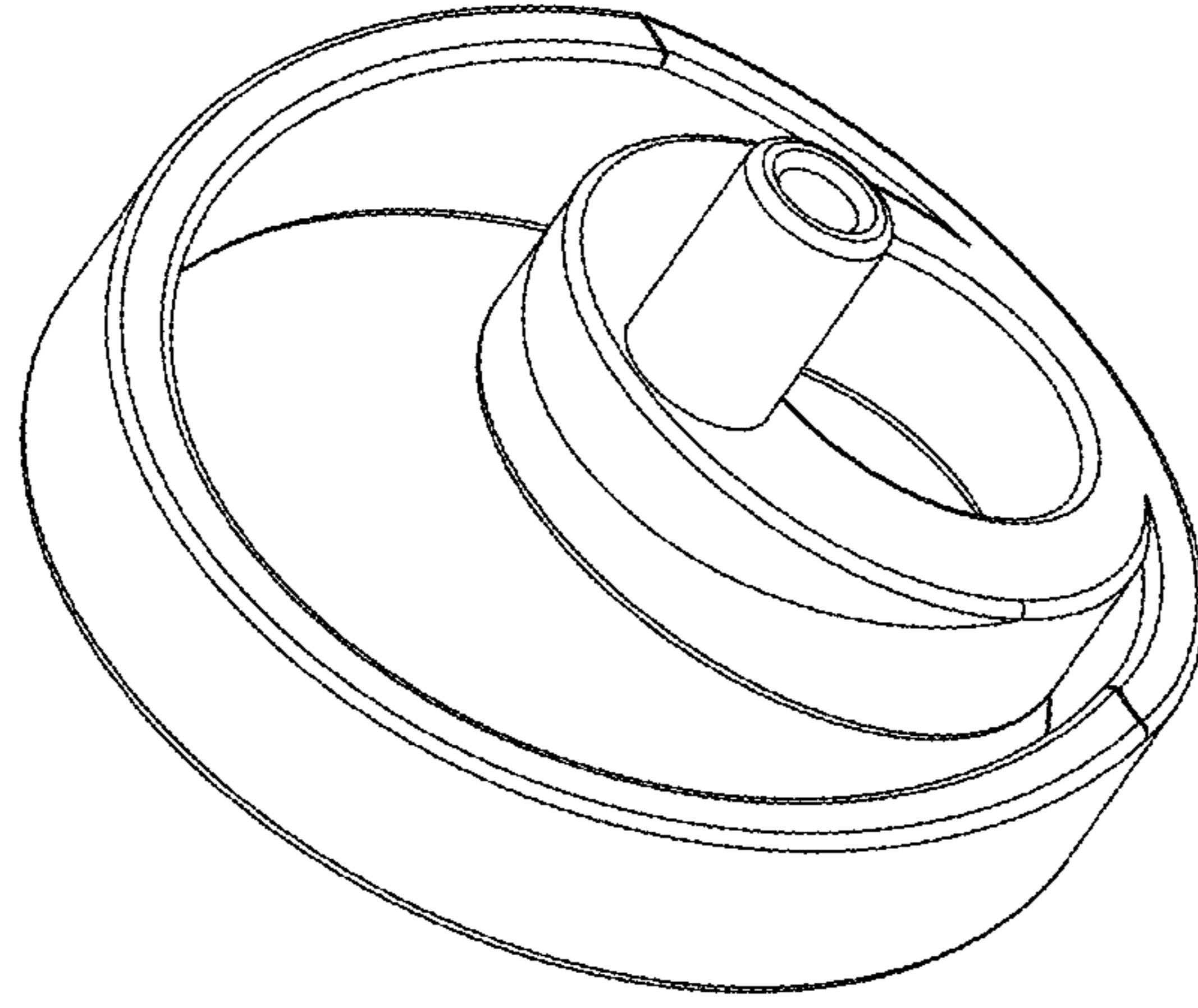


FIG - 2

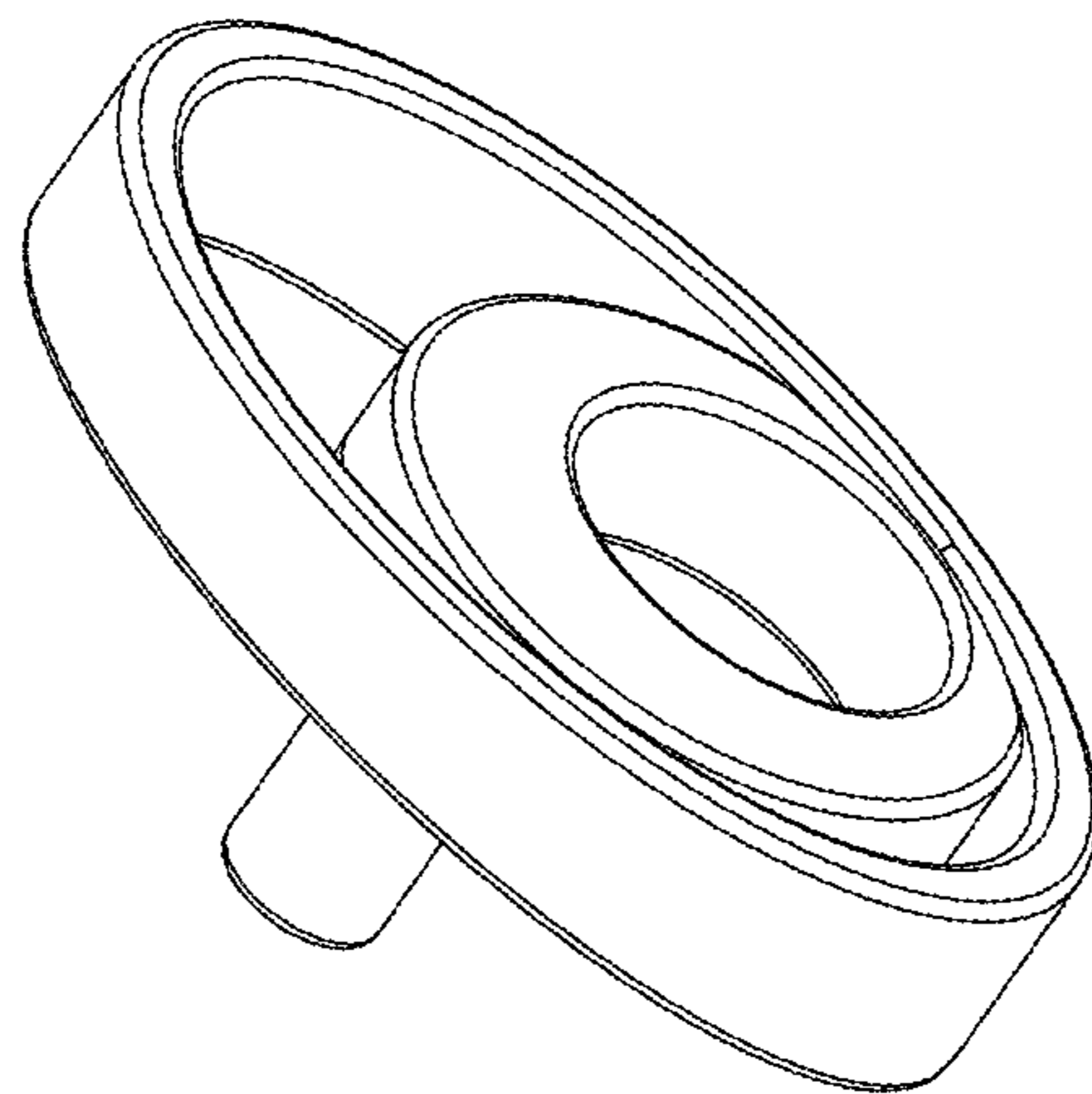


FIG - 1

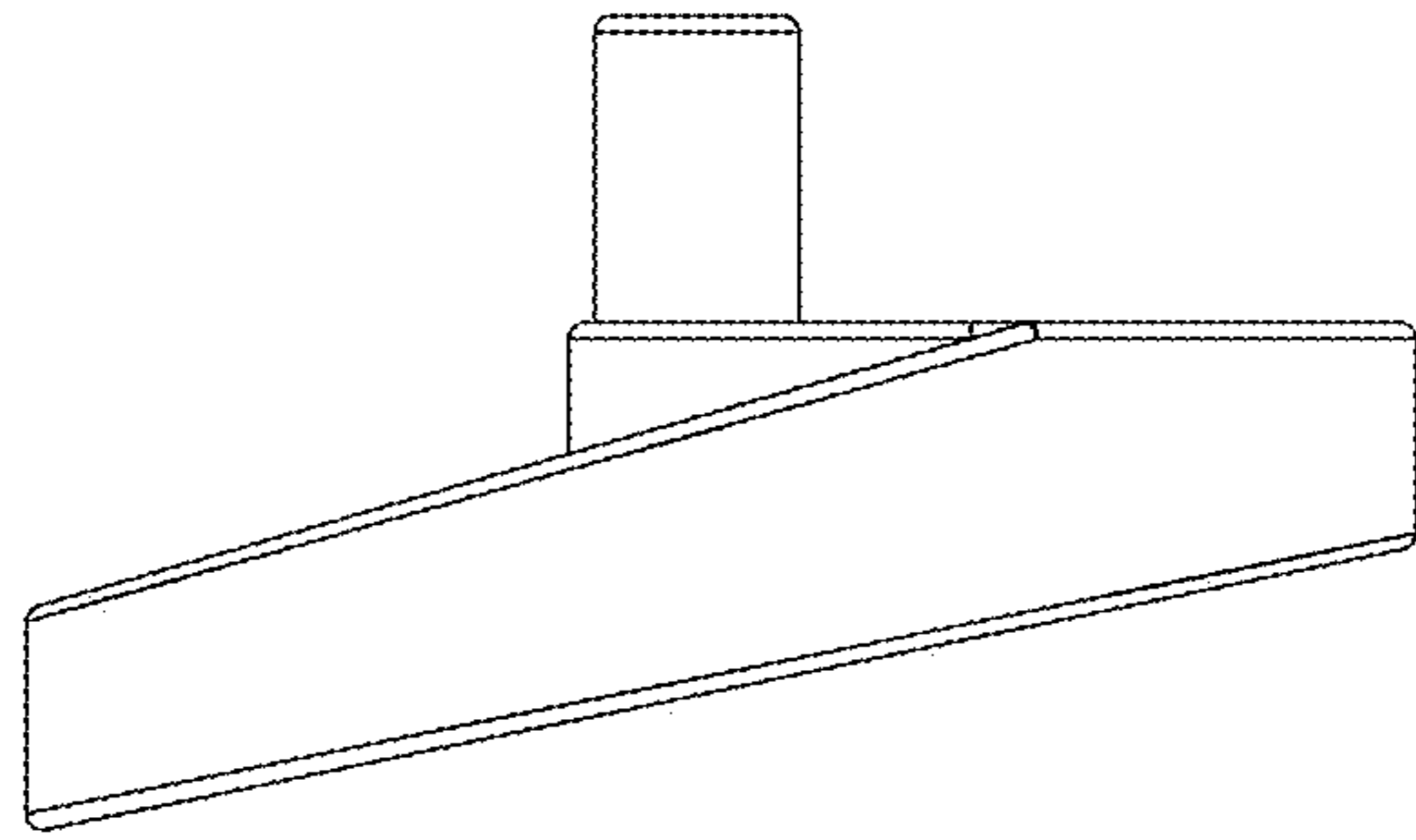


FIG - 4

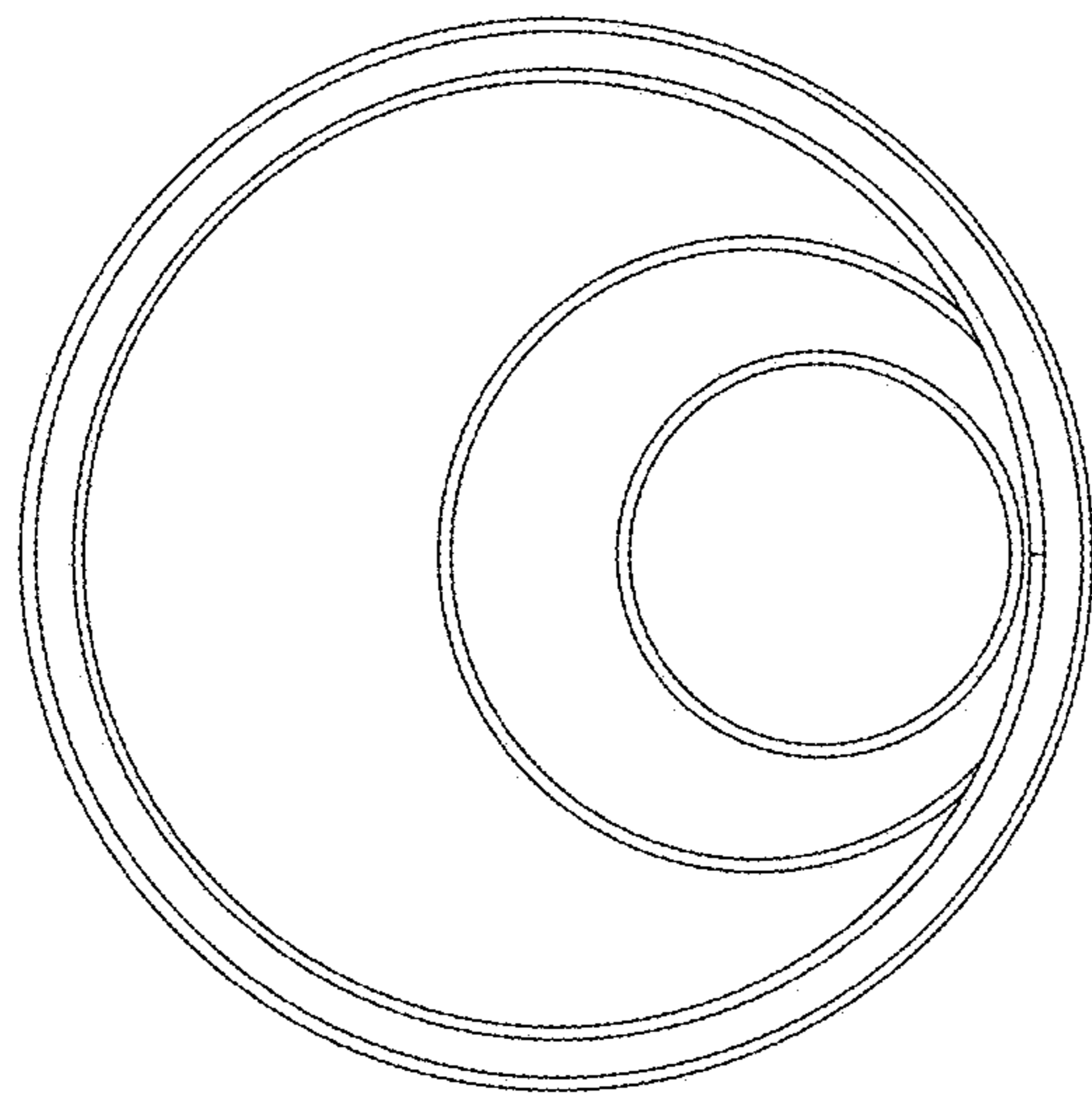


FIG - 3

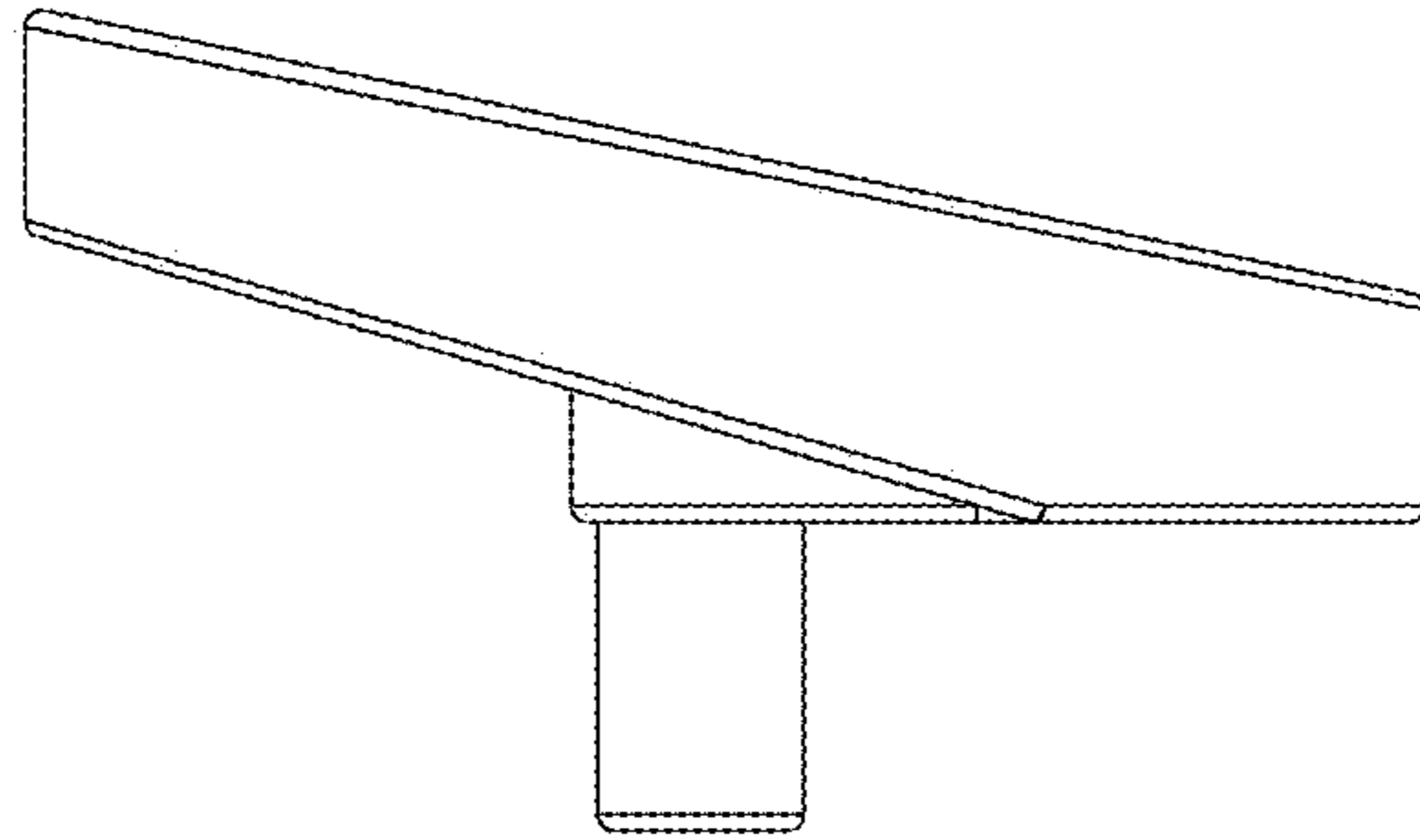


FIG - 6

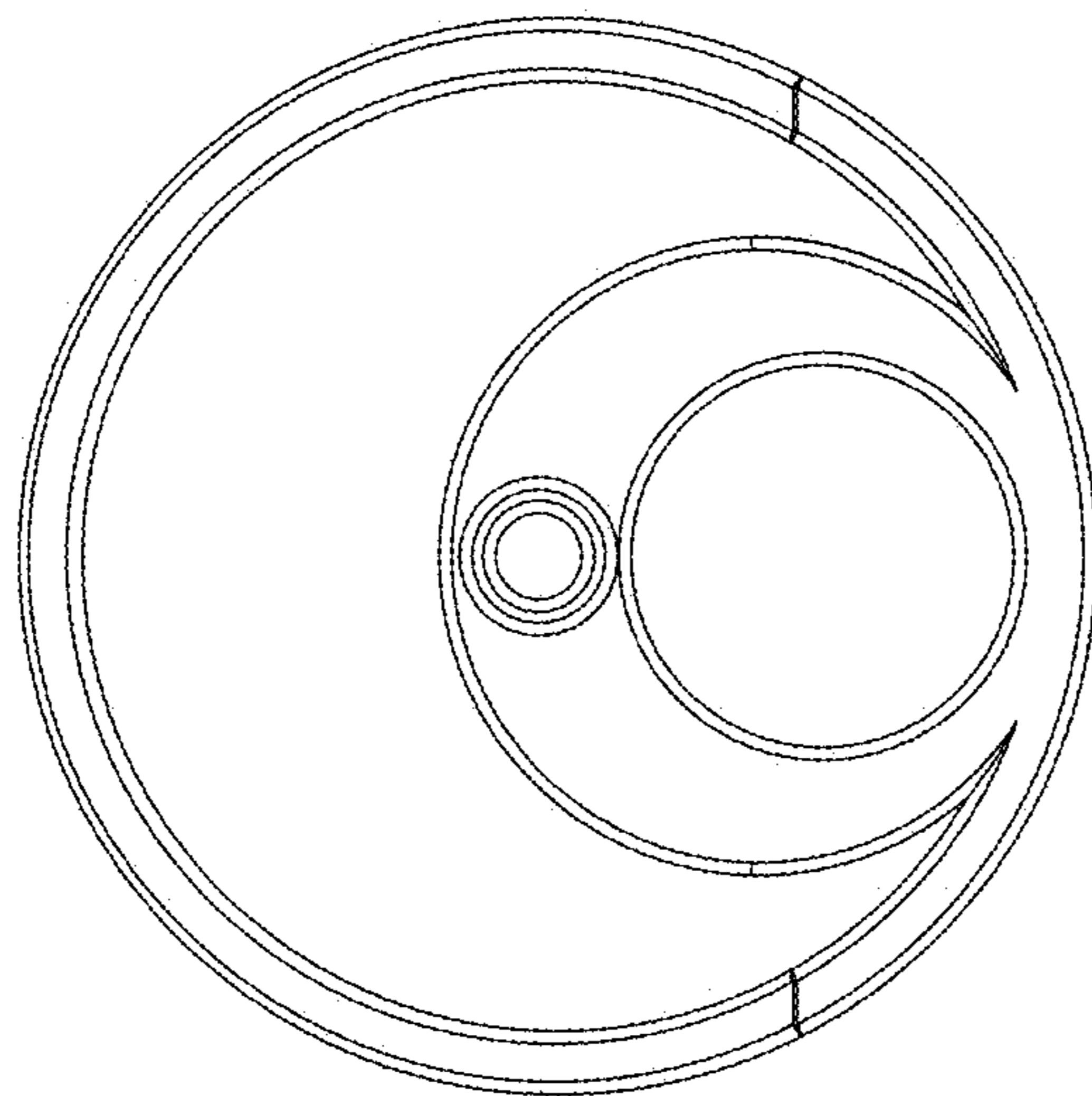


FIG - 5

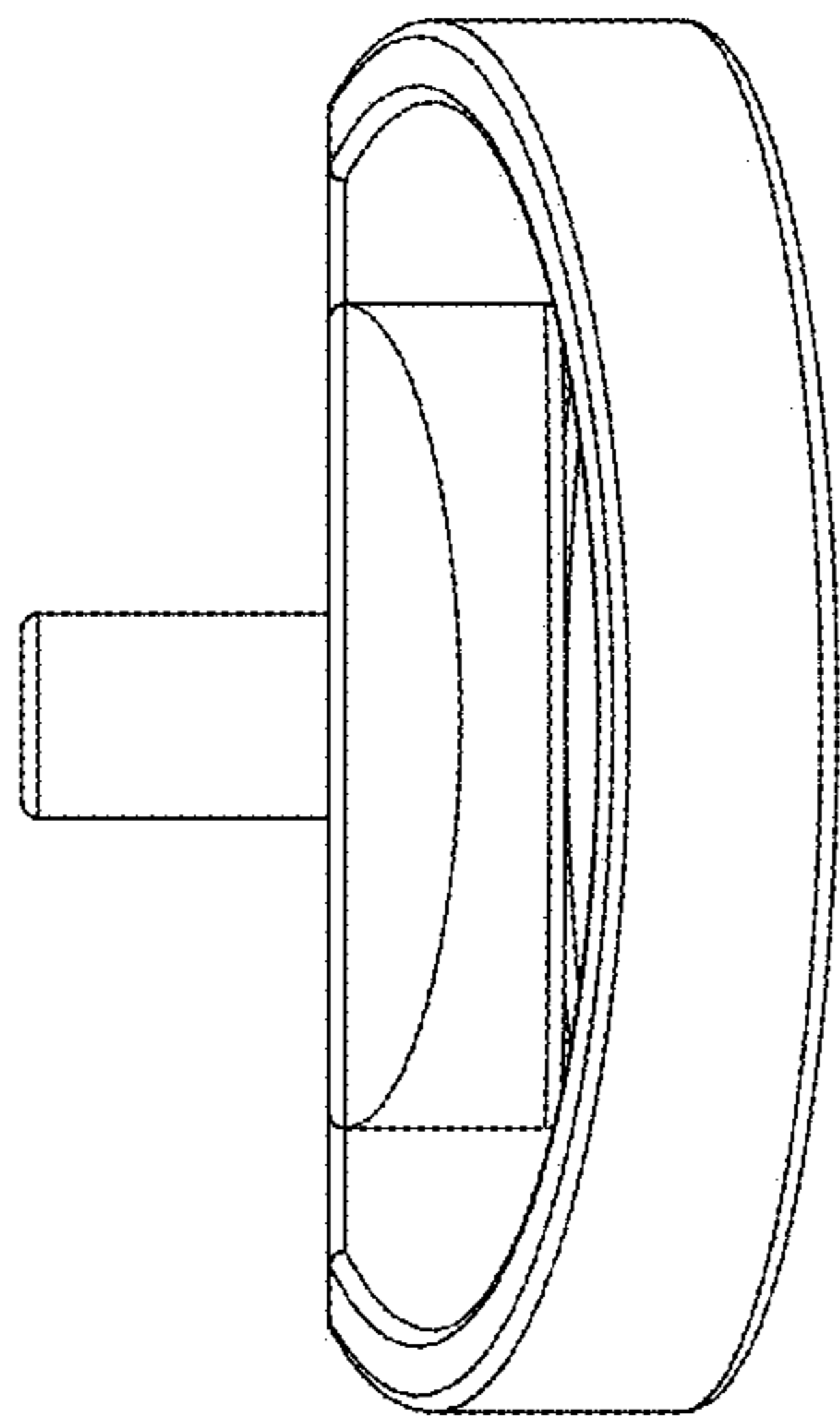


FIG - 7

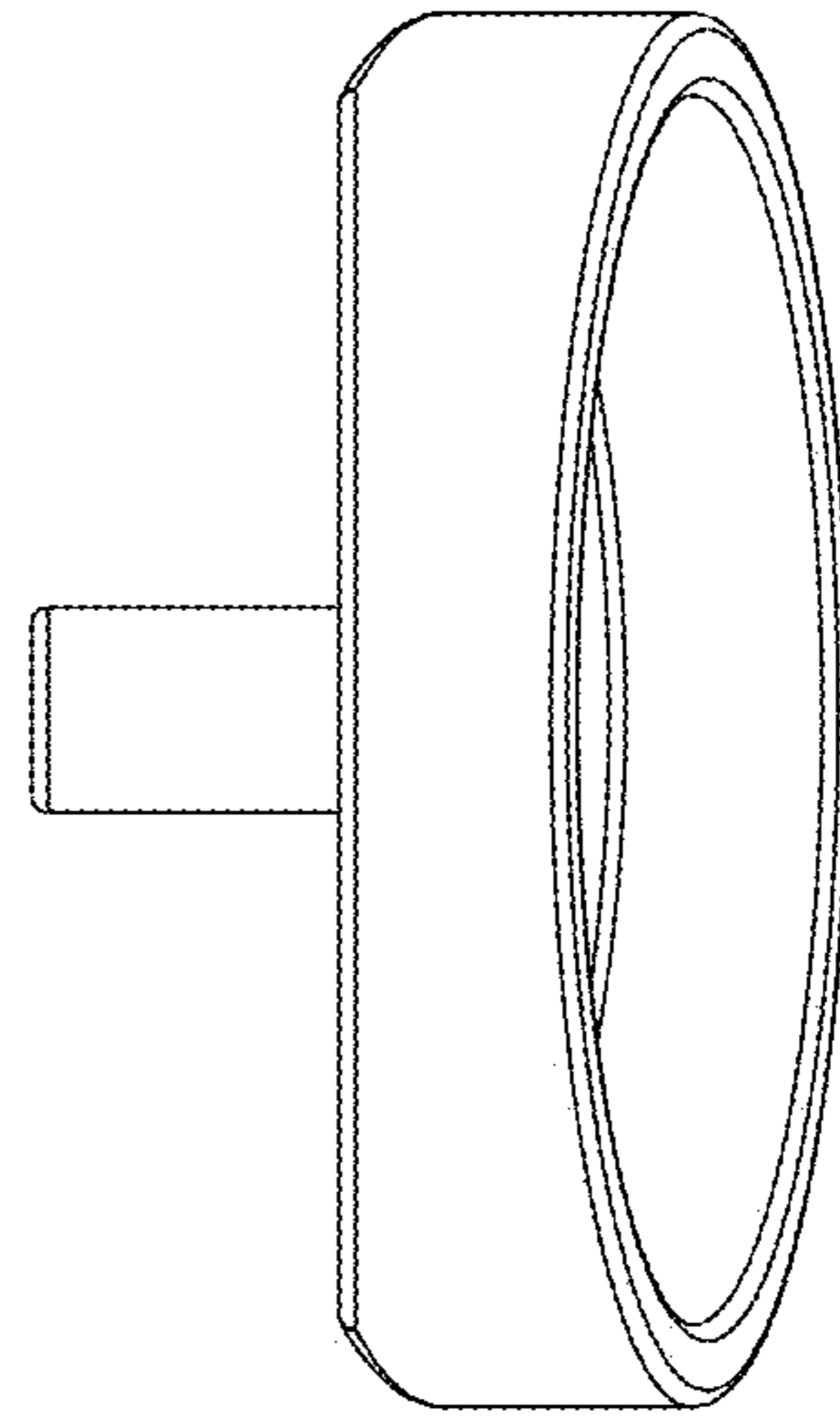


FIG - 8