



US00D948988S

(12) **United States Design Patent**  
**Elser**

(10) **Patent No.:** **US D948,988 S**

(45) **Date of Patent:** **\*\* Apr. 19, 2022**

(54) **KNOB**  
(71) Applicant: **DELTA FAUCET COMPANY,**  
Indianapolis, IN (US)  
(72) Inventor: **Simon Elser,** Indianapolis, IN (US)  
(73) Assignee: **DELTA FAUCET COMPANY,**  
Indianapolis, IN (US)  
(\*\*) Term: **15 Years**

1,611,999 A \* 12/1926 Cummins ..... E05B 3/06  
292/356  
2,190,192 A \* 2/1940 Raymond ..... E05B 1/0015  
16/417  
D204,461 S \* 4/1966 Volker et al. .... D22/108  
D613,823 S \* 4/2010 Sofield ..... D23/250  
D680,407 S \* 4/2013 Ramsland ..... D8/307  
D772,684 S \* 11/2016 Zimmer ..... D8/307  
D787,296 S \* 5/2017 Zimmer ..... D8/307  
D854,909 S \* 7/2019 Wells ..... D8/315  
D899,889 S \* 10/2020 Eads ..... D8/307  
D924,035 S \* 7/2021 Lazarini ..... D8/307

\* cited by examiner

(21) Appl. No.: **29/755,000**  
(22) Filed: **Oct. 16, 2020**  
(51) **LOC (13) Cl.** ..... **08-06**  
(52) **U.S. Cl.**  
USPC ..... **D8/307**  
(58) **Field of Classification Search**  
USPC ..... D8/300, 307, 310; D7/393; D23/250,  
D23/252, 254  
CPC ... Y10T 292/57; Y10T 16/469; Y10T 292/82;  
Y10T 74/2084; Y10T 292/85; Y10T  
16/458; Y10T 16/506; Y10T 70/5155;  
Y10T 16/46; Y10T 16/4559; Y10T  
74/20828; Y10T 70/8541; Y10T  
74/20612; Y10T 16/459; Y10T 16/487;  
Y10T 70/5389; Y10T 16/462; Y10T  
16/4636; E05B 1/0007; E05B 3/00; Y10S  
16/30; Y10S 292/53; Y10S 292/27  
See application file for complete search history.

*Primary Examiner* — Lauren R Calve  
(74) *Attorney, Agent, or Firm* — Nirav D. Parikh; Edgar  
A. Zarins

(56) **References Cited**  
U.S. PATENT DOCUMENTS  
742,448 A \* 10/1903 Konrad ..... E05B 1/0015  
16/412  
D64,095 S \* 2/1924 Yates ..... D8/307

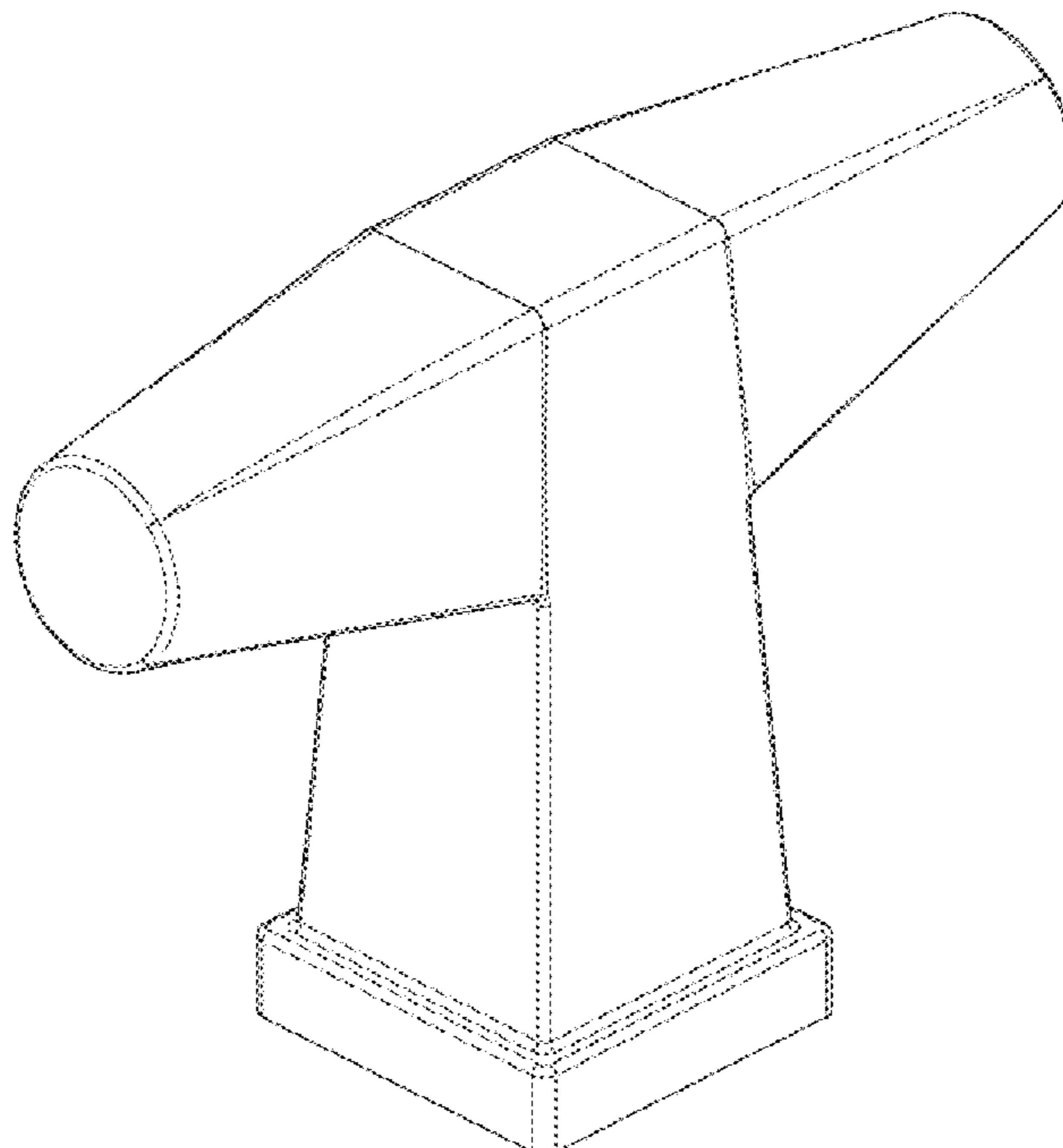
(57) **CLAIM**

The ornamental design for a knob, as shown and described.

**DESCRIPTION**

FIG. 1 is a front perspective view of a knob showing my new design;  
FIG. 2 is a rear perspective view thereof;  
FIG. 3 is a front elevational view thereof;  
FIG. 4 is a left side view thereof;  
FIG. 5 is a rear view thereof;  
FIG. 6 is a right side view thereof;  
FIG. 7 is a top plan view thereof; and,  
FIG. 8 is a bottom view thereof.

**1 Claim, 4 Drawing Sheets**



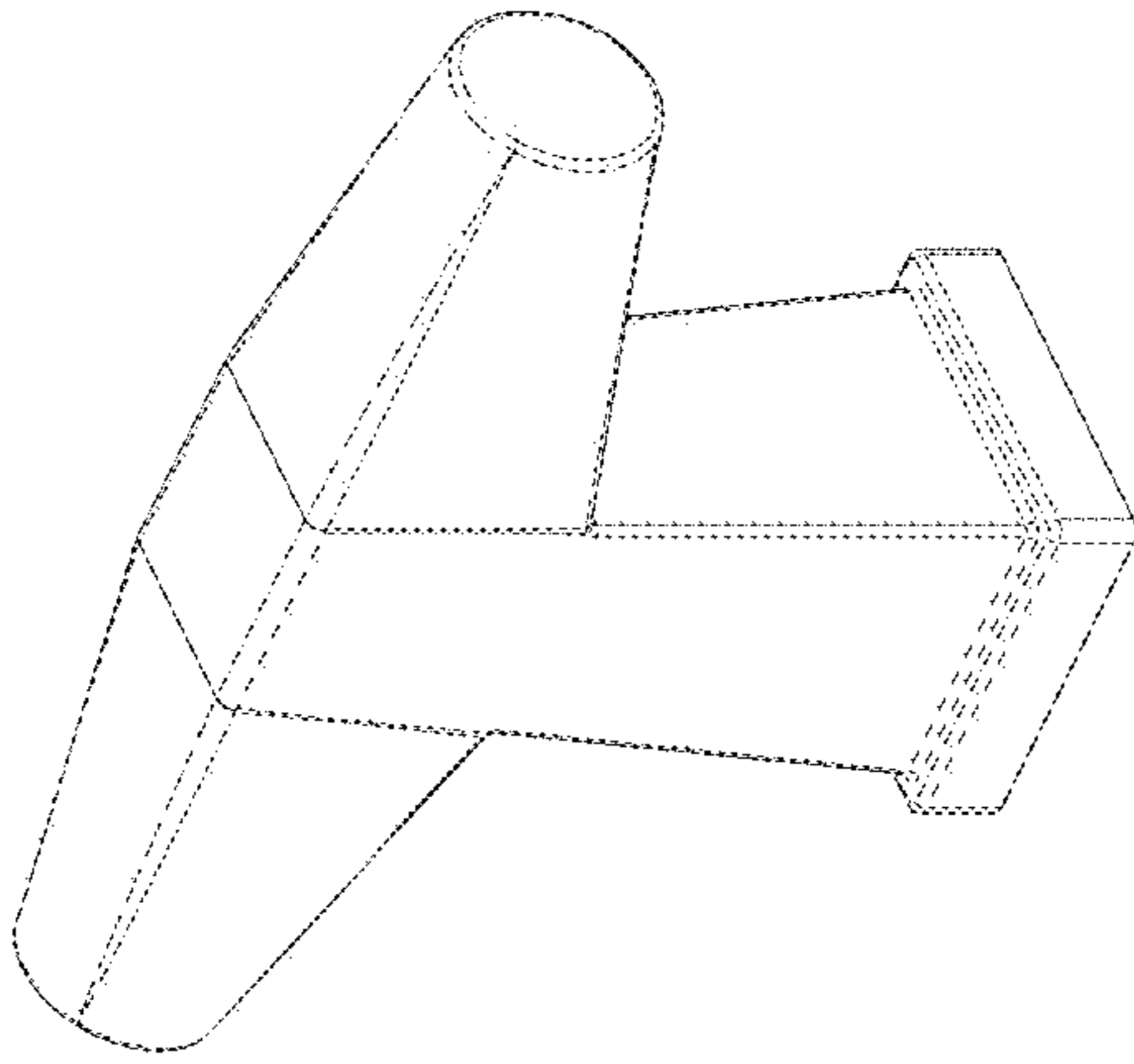


FIG - 2

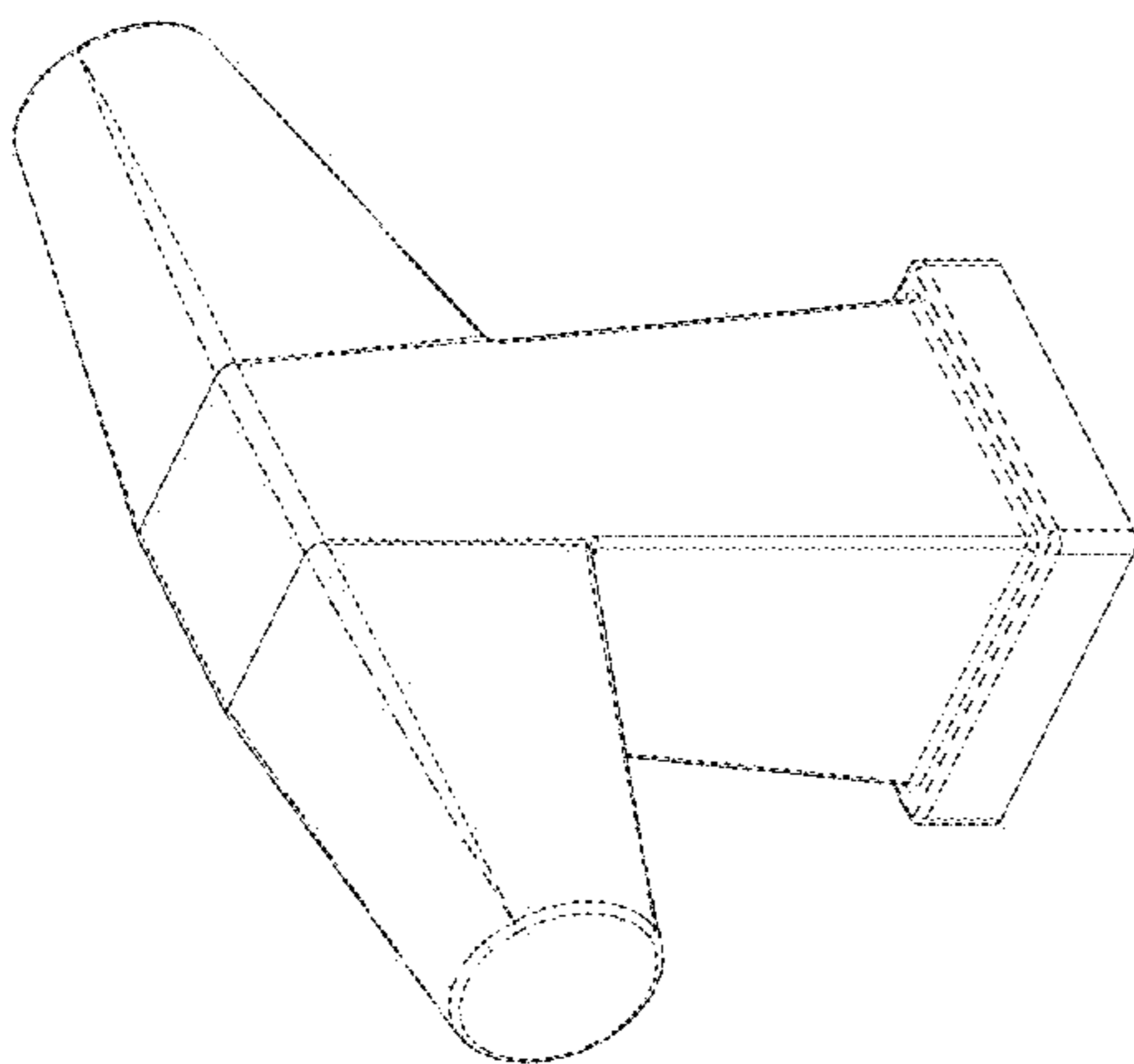


FIG - 1

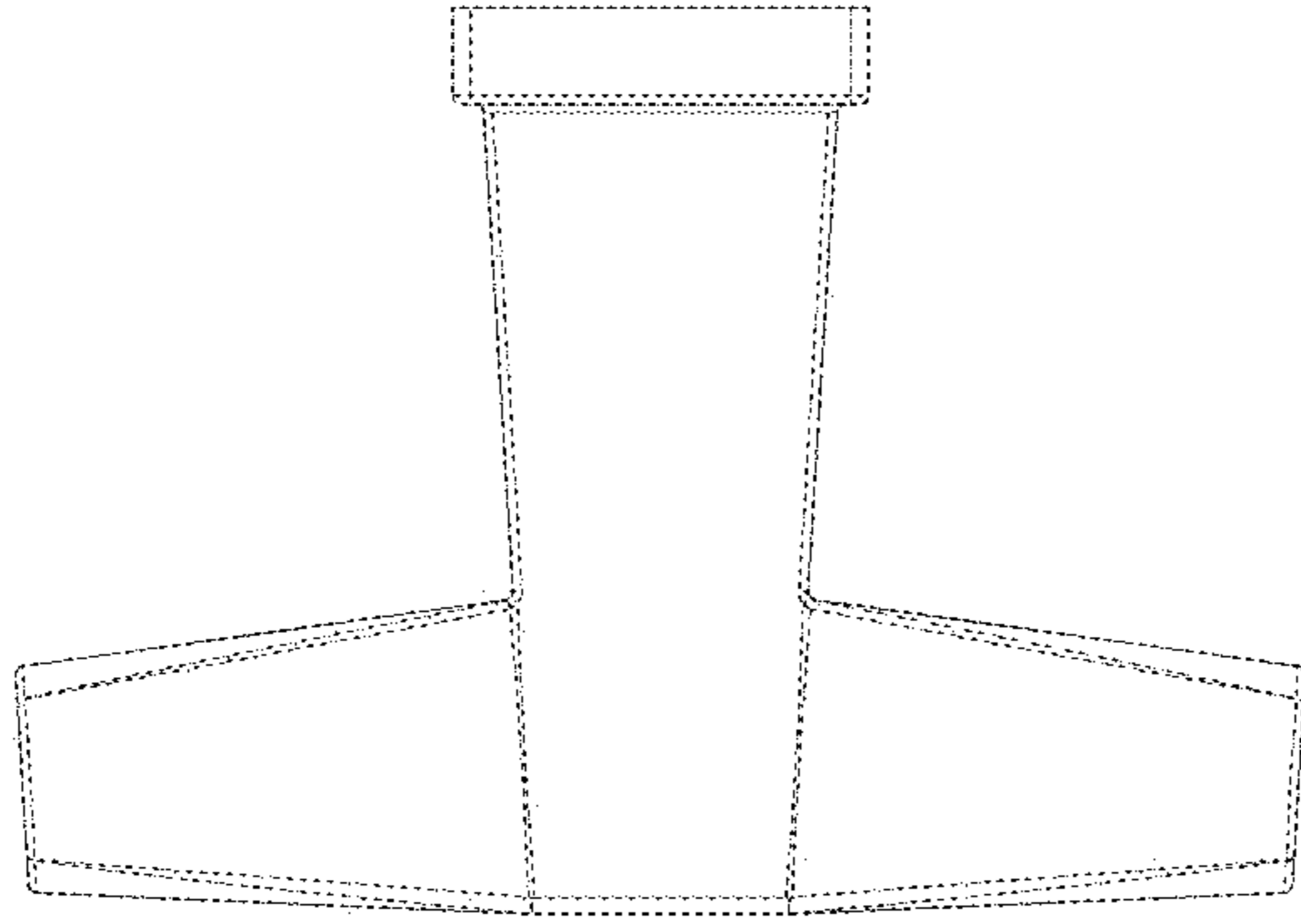


FIG - 4

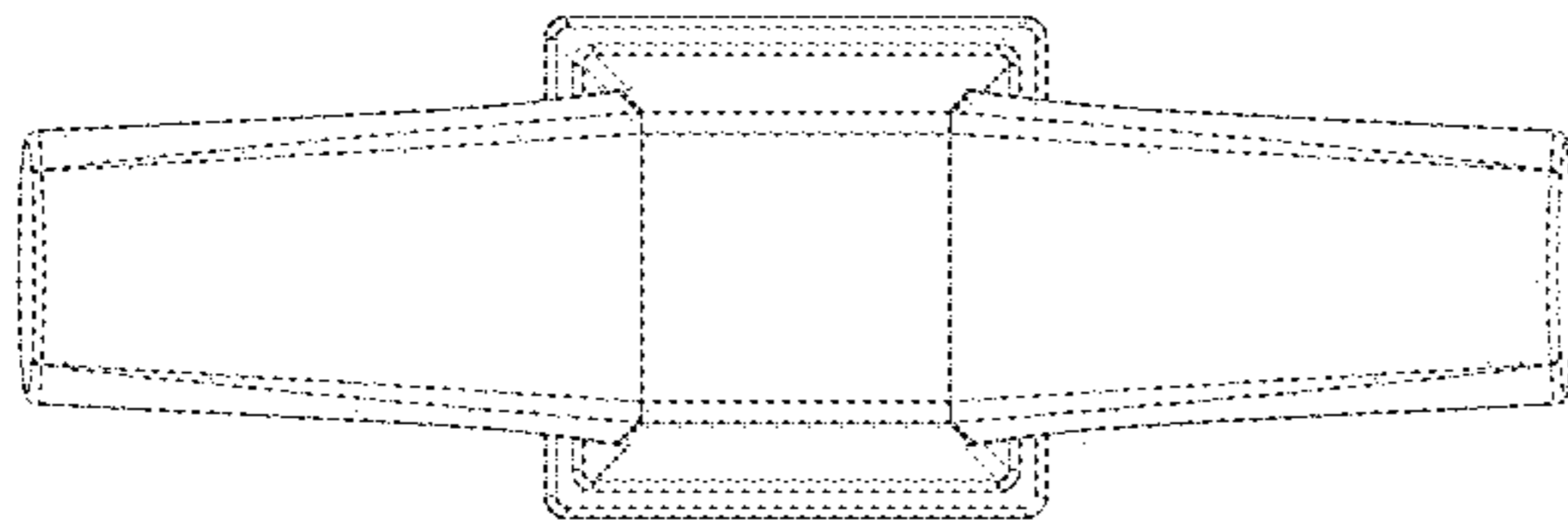


FIG - 3

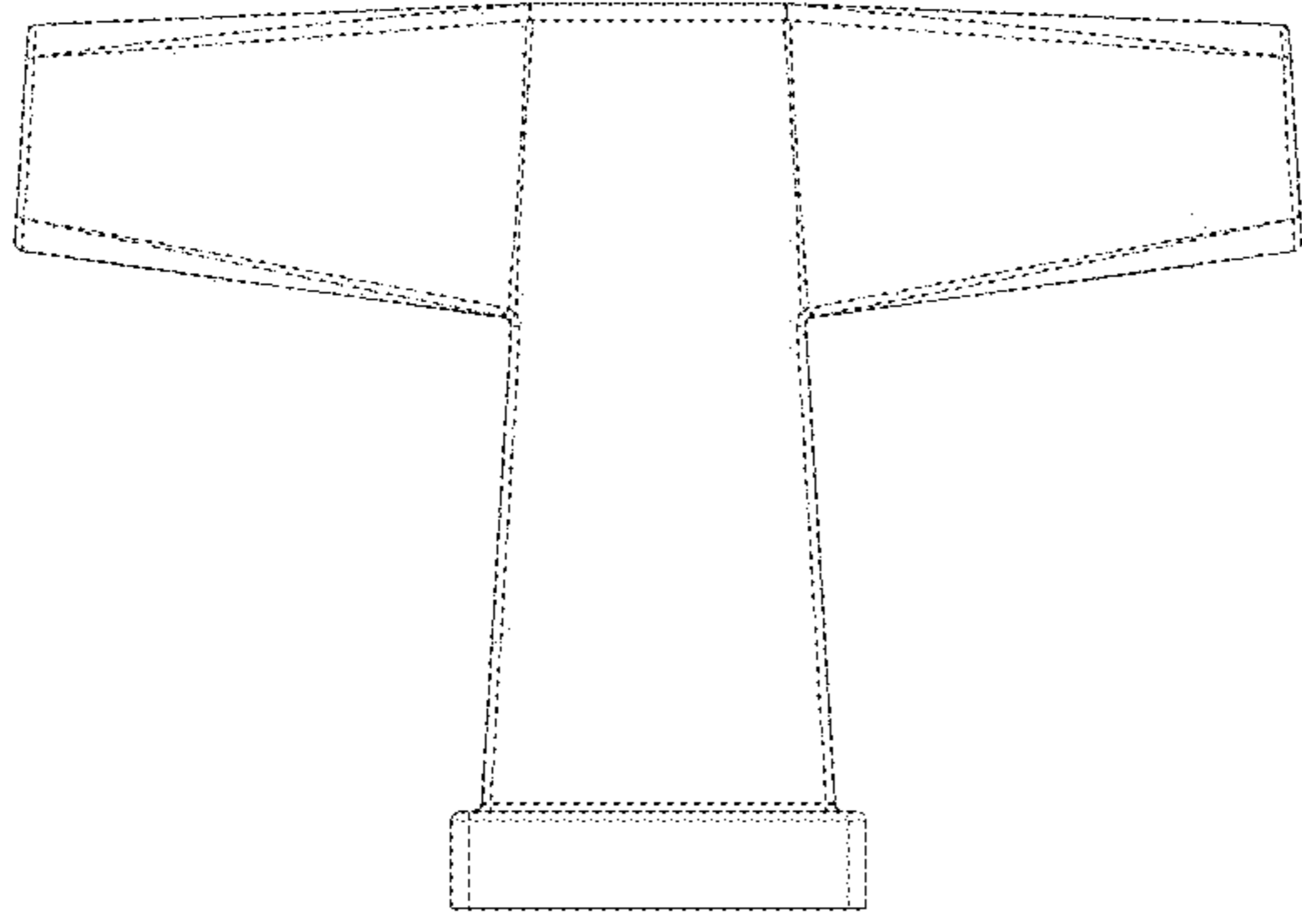


FIG - 6

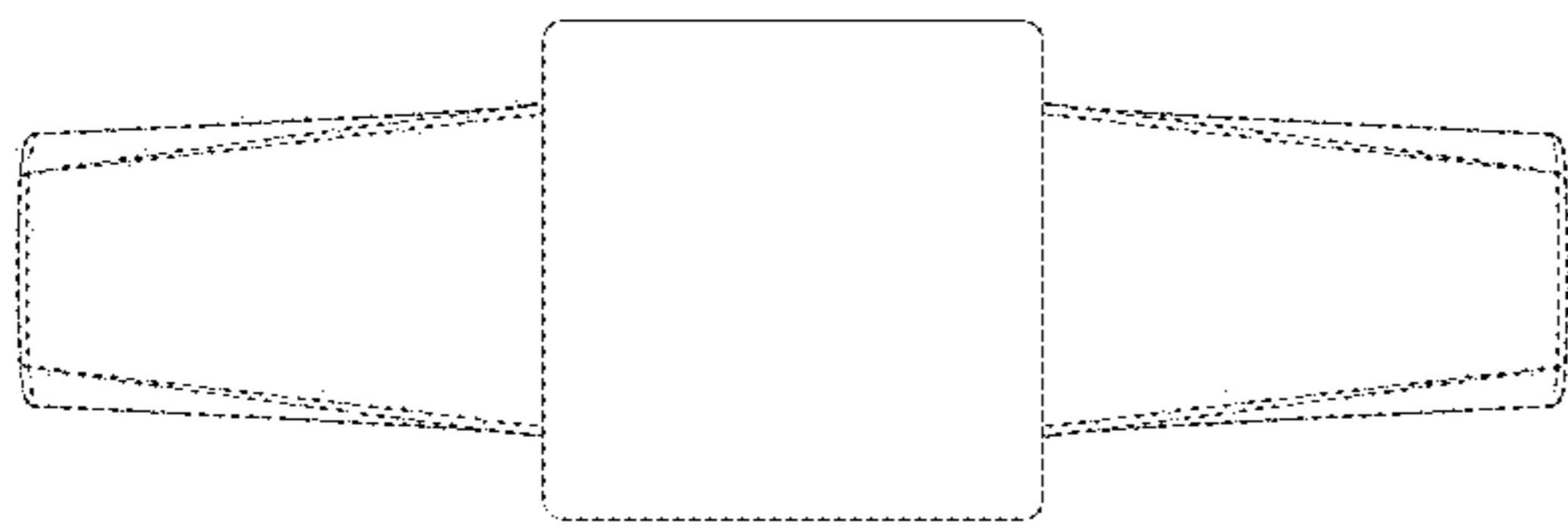


FIG - 5

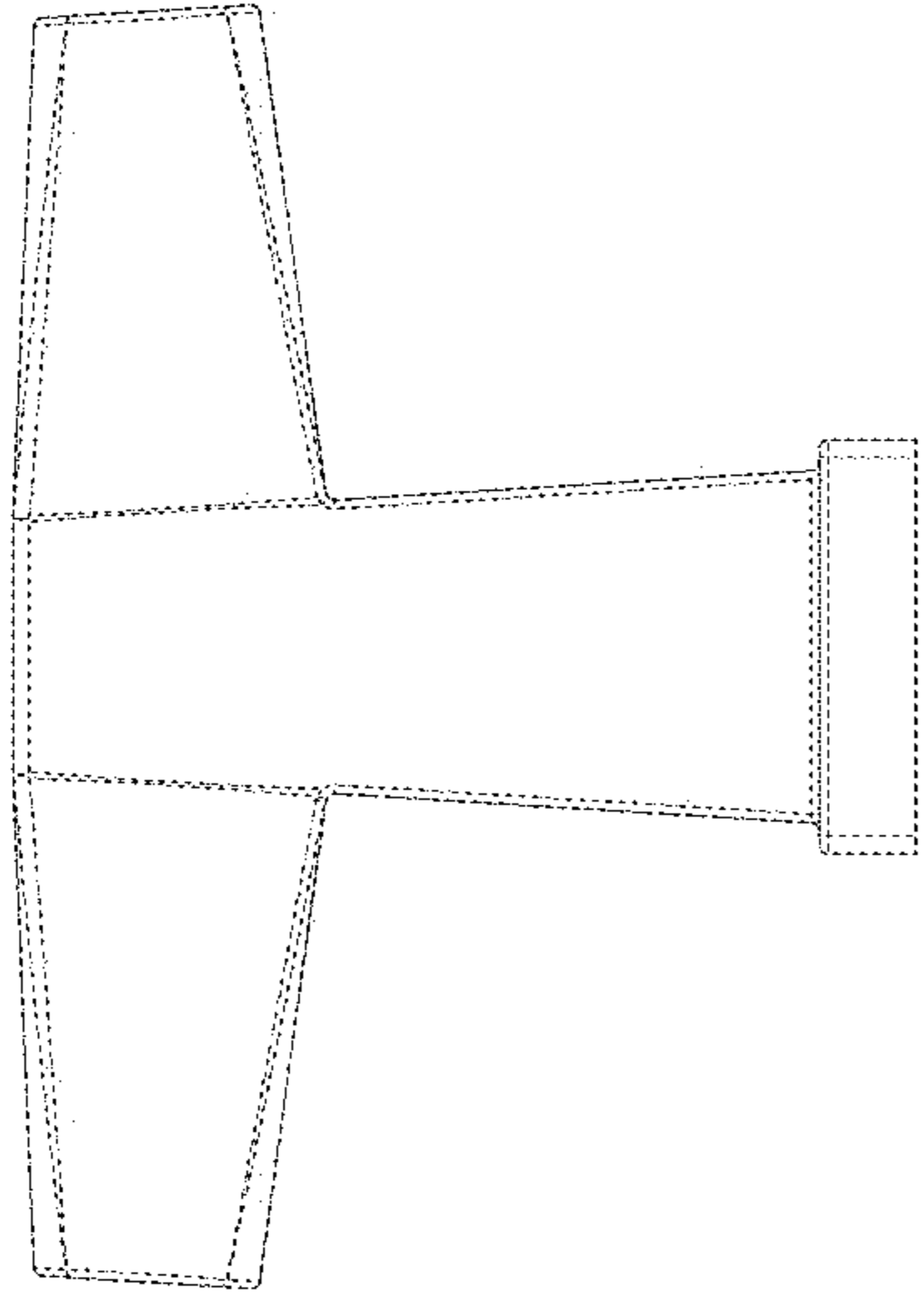


FIG - 7

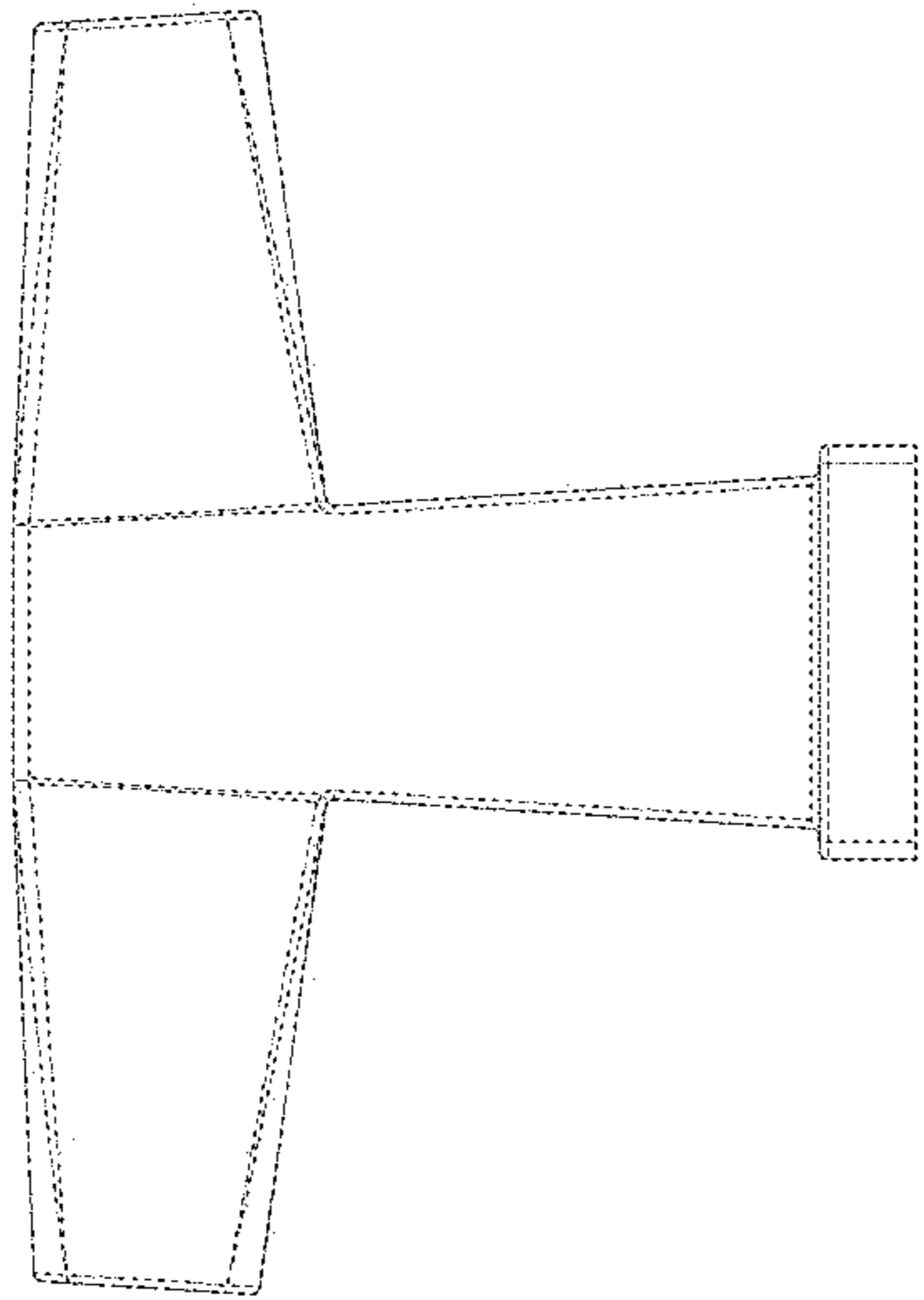


FIG - 8