



US00D948987S

(12) **United States Design Patent** (10) **Patent No.:** **US D948,987 S**
Park (45) **Date of Patent:** **** Apr. 19, 2022**

(54) **KNOB**
(71) Applicant: **DELTA FAUCET COMPANY**,
Indianapolis, IN (US)
(72) Inventor: **Maris Park**, McCordsville, IN (US)
(73) Assignee: **DELTA FAUCET COMPANY**,
Indianapolis, IN (US)
(**) Term: **15 Years**
(21) Appl. No.: **29/754,306**
(22) Filed: **Oct. 9, 2020**
(51) **LOC (13) Cl.** **08-06**
(52) **U.S. Cl.**
USPC **D8/307**
(58) **Field of Classification Search**
USPC D8/300, 307, 310; D7/393; D23/250,
D23/252, 254
CPC ... Y10T 292/57; Y10T 16/469; Y10T 292/82;
Y10T 74/2084; Y10T 292/85; Y10T
16/458; Y10T 16/506; Y10T 70/5155;
Y10T 16/46; Y10T 16/4559; Y10T
74/20828; Y10T 70/8541; Y10T
74/20612; Y10T 16/459; Y10T 16/487;
Y10T 70/5389; Y10T 16/462; Y10T
16/4636; E05B 1/0007; E05B 3/00; Y10S
16/30; Y10S 292/53; Y10S 292/27
See application file for complete search history.

(56) **References Cited**
U.S. PATENT DOCUMENTS
742,448 A * 10/1903 Konrad E05B 1/0015
16/412
1,611,999 A * 12/1926 Cummins E05B 3/06
292/356

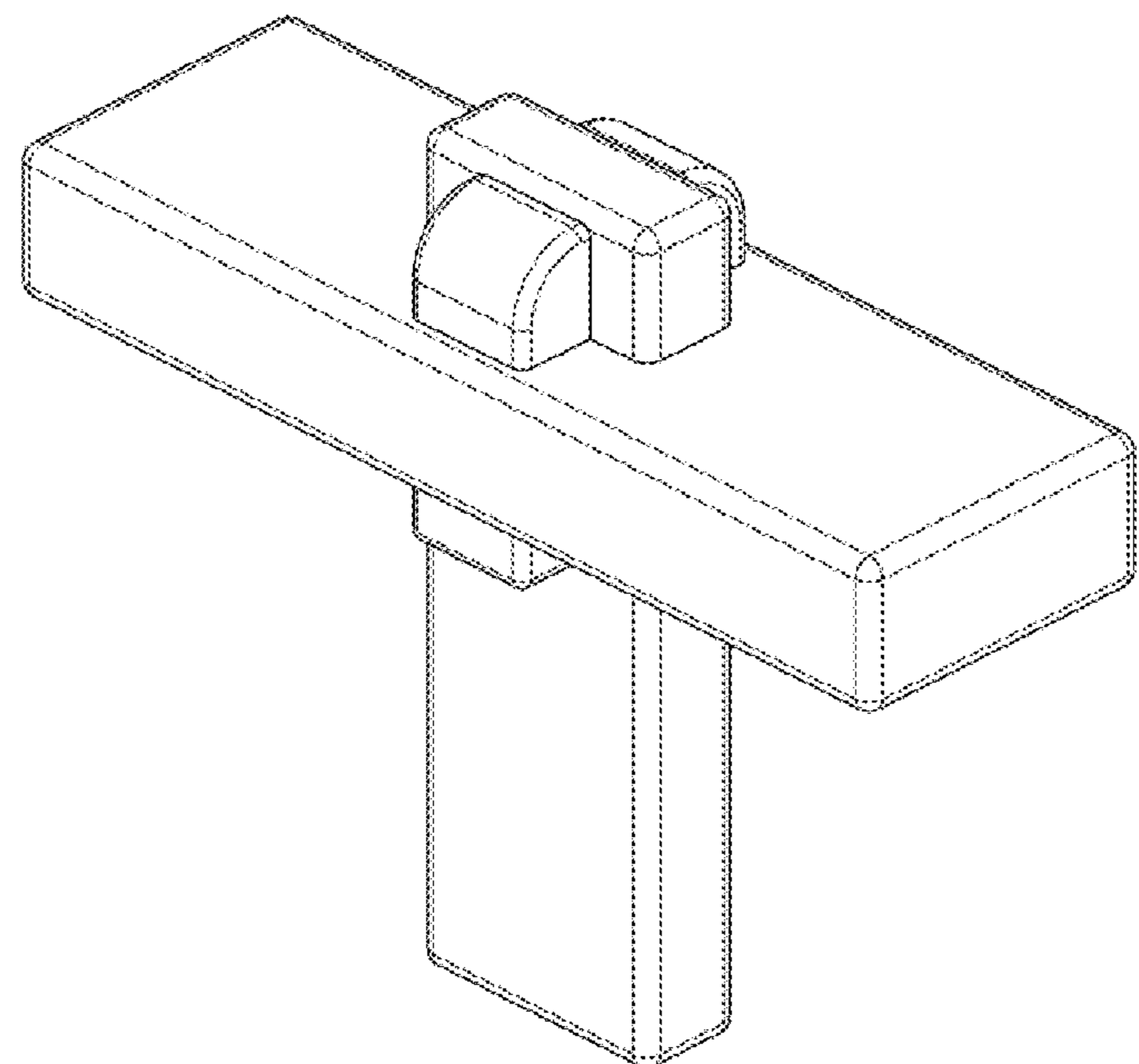
2,190,192 A * 2/1940 Raymond E05B 1/0015
16/417
D680,406 S * 4/2013 Ramsland D8/307
D718,111 S * 11/2014 Han D8/307
D854,909 S * 7/2019 Wells D8/315
D899,889 S * 10/2020 Eads D8/307
D924,035 S * 7/2021 Lazarini D8/307

* cited by examiner
Primary Examiner — Lauren R Calve
(74) *Attorney, Agent, or Firm* — Nirav D. Parikh; Edgar
A. Zarins

(57) **CLAIM**
The ornamental design for a knob, as shown and described.

DESCRIPTION
FIG. 1 is a front perspective view of a knob showing my new design;
FIG. 2 is a rear perspective view thereof;
FIG. 3 is a front elevational view thereof;
FIG. 4 is a left side view thereof;
FIG. 5 is a rear view thereof;
FIG. 6 is a right side view thereof;
FIG. 7 is a top plan view thereof; and,
FIG. 8 is a bottom view thereof.

1 Claim, 4 Drawing Sheets



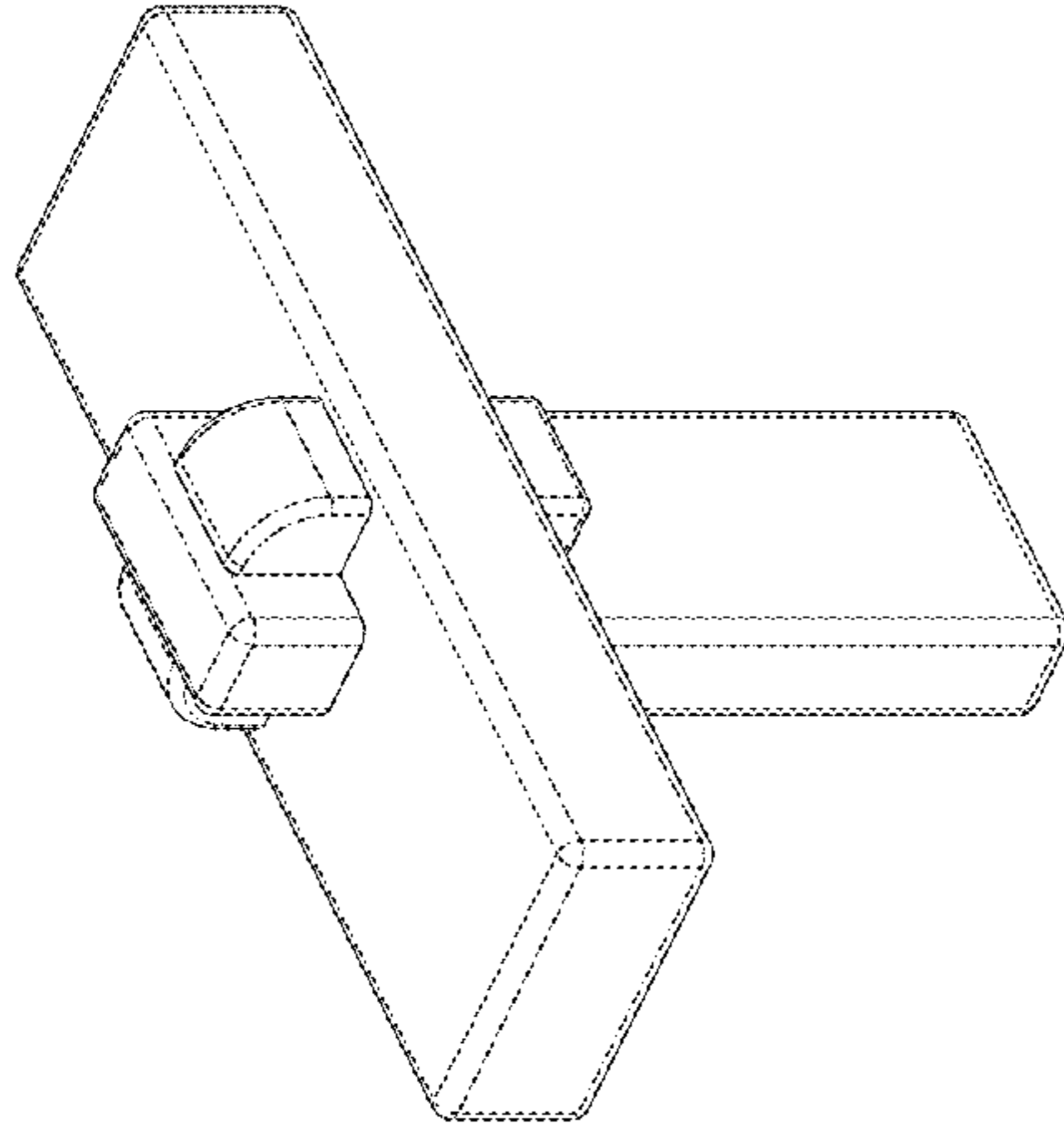


Fig - 2

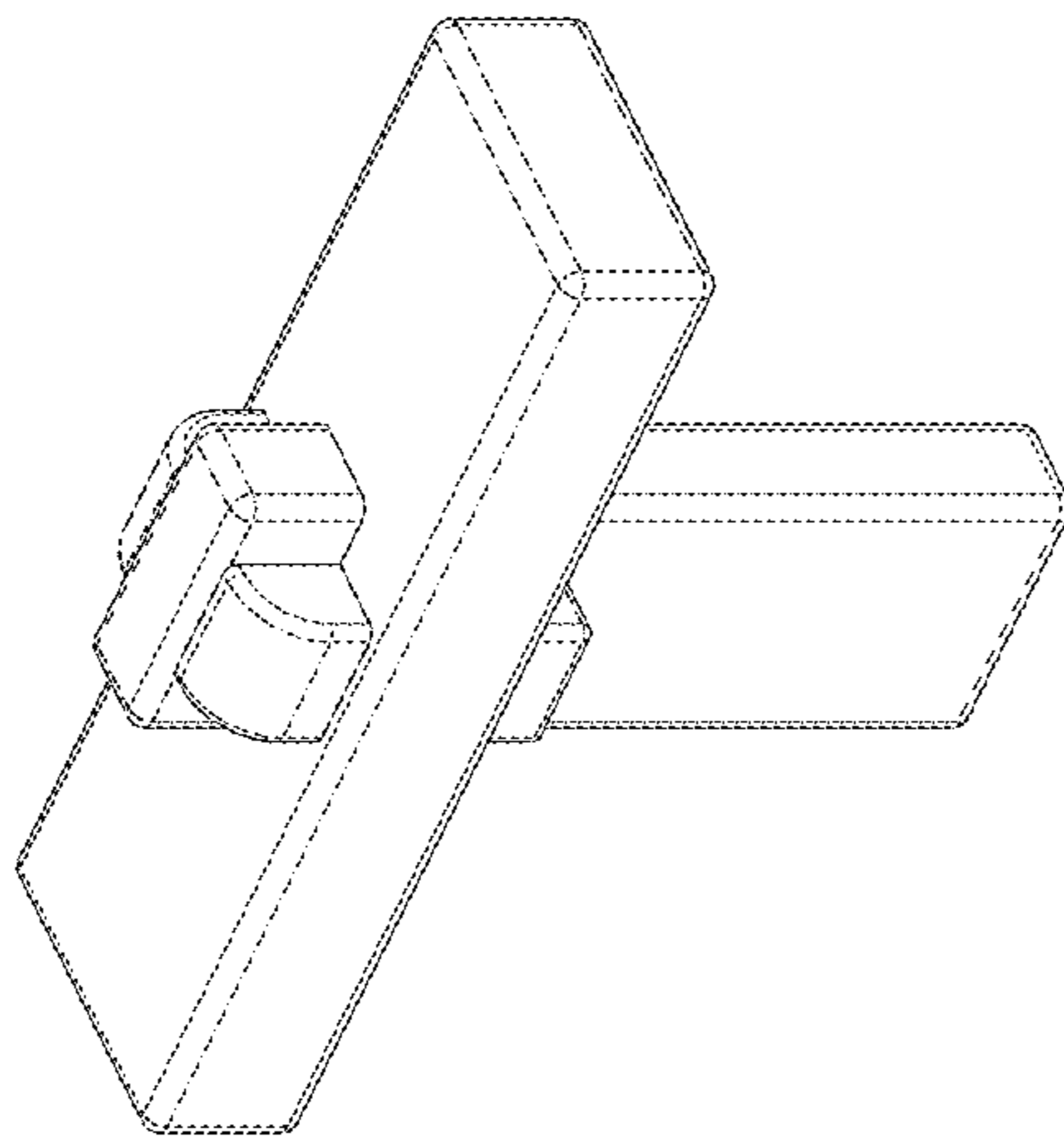


Fig - 1

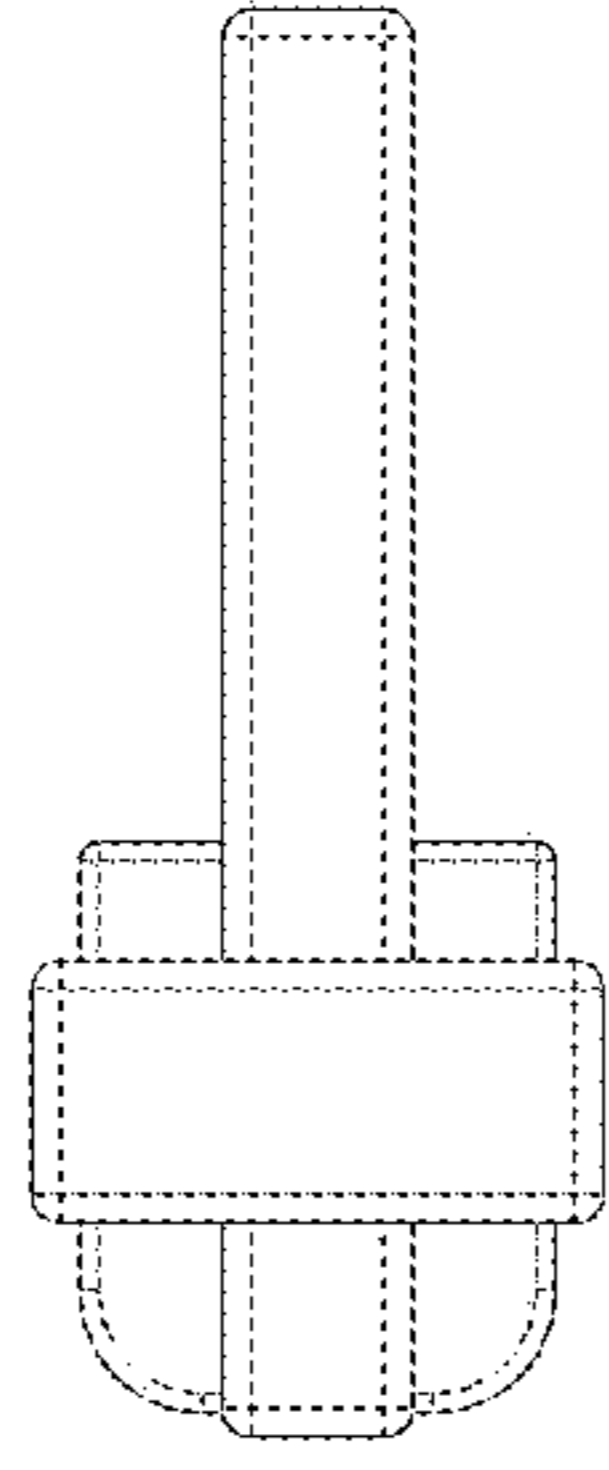


Fig - 4

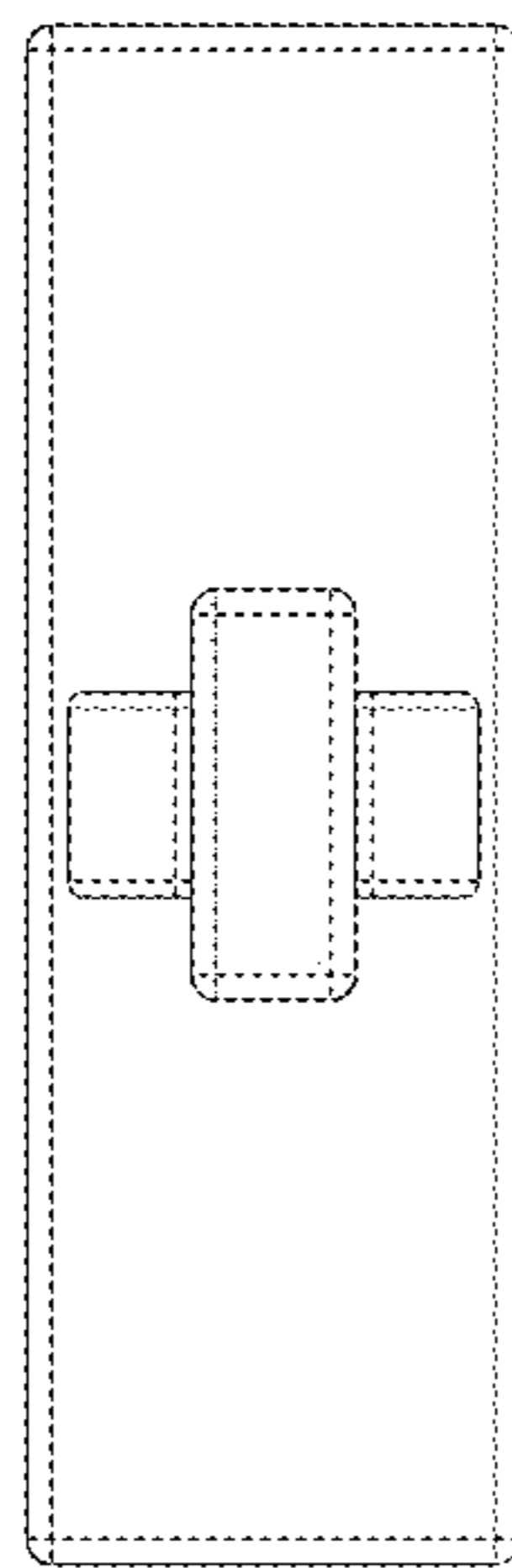


Fig - 3

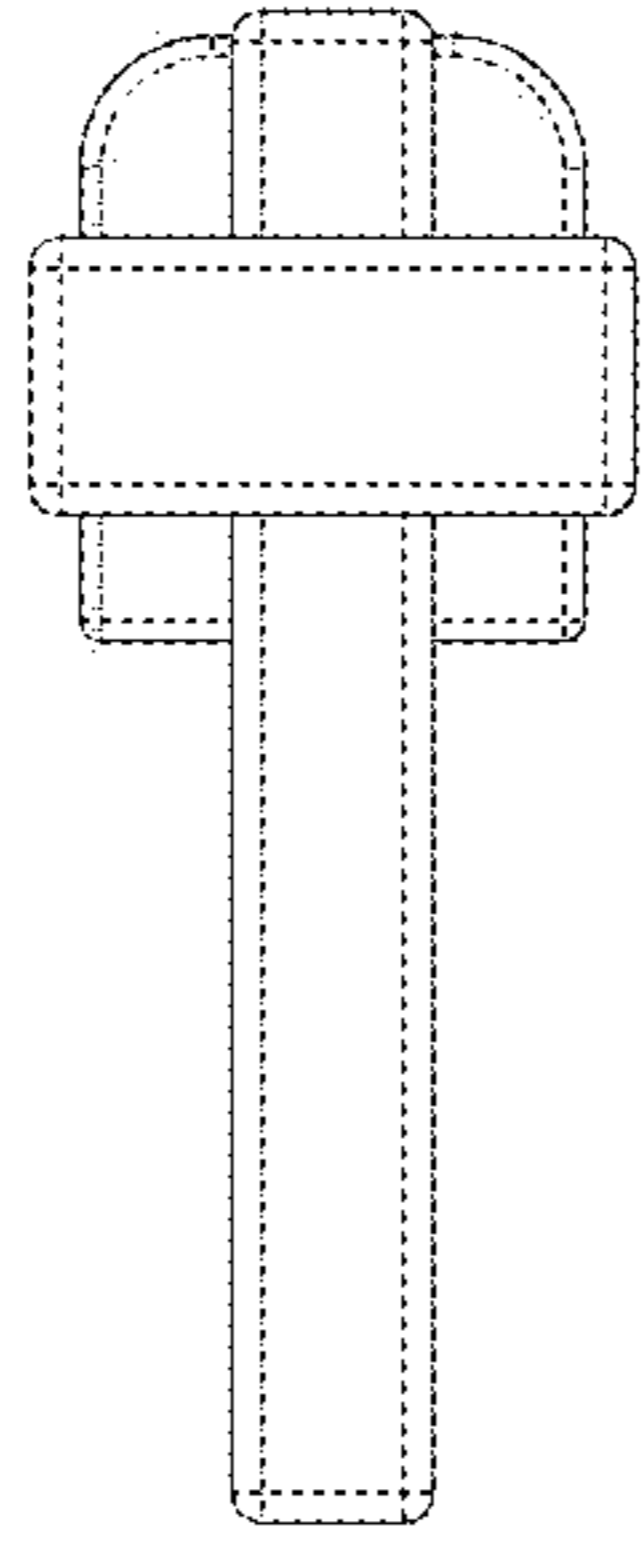


Fig - 6

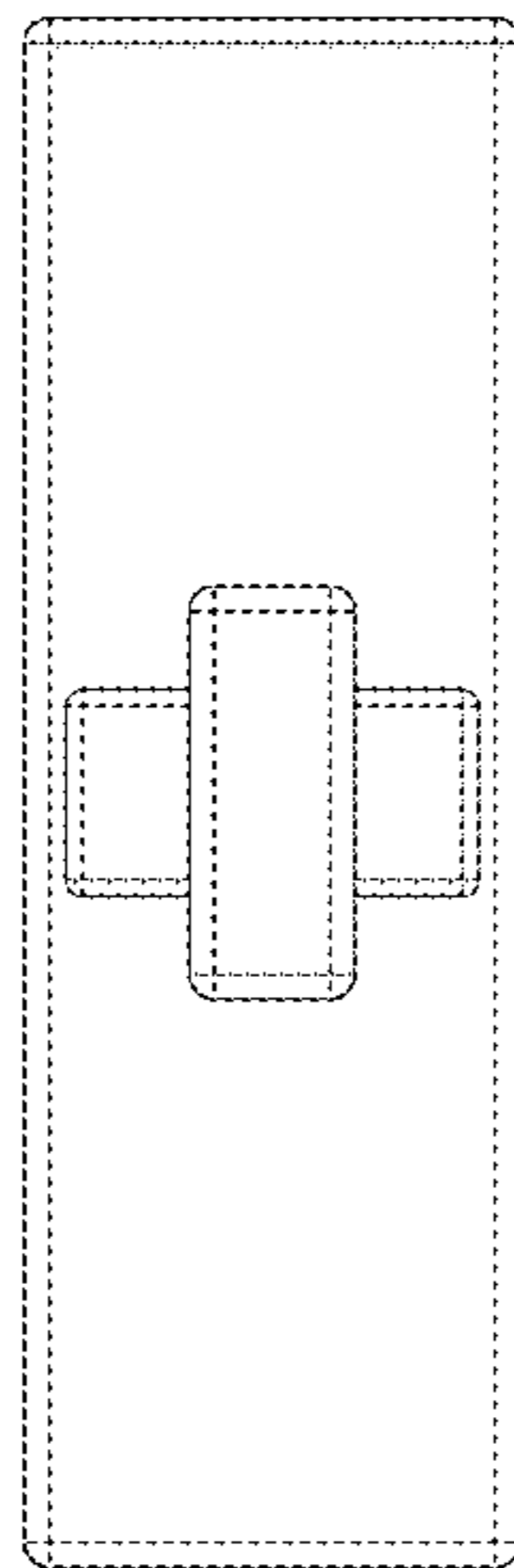


Fig - 5

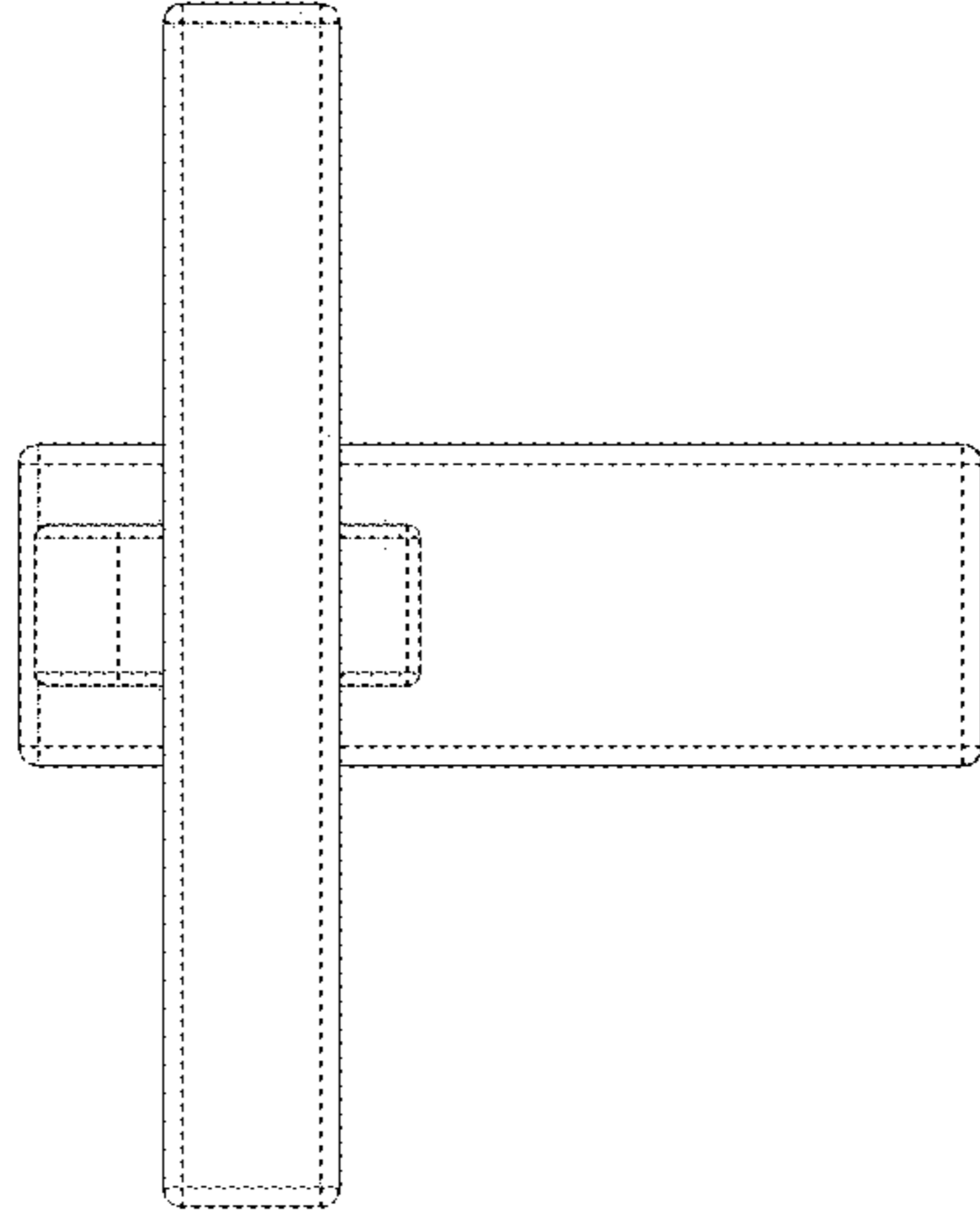


Fig - 8

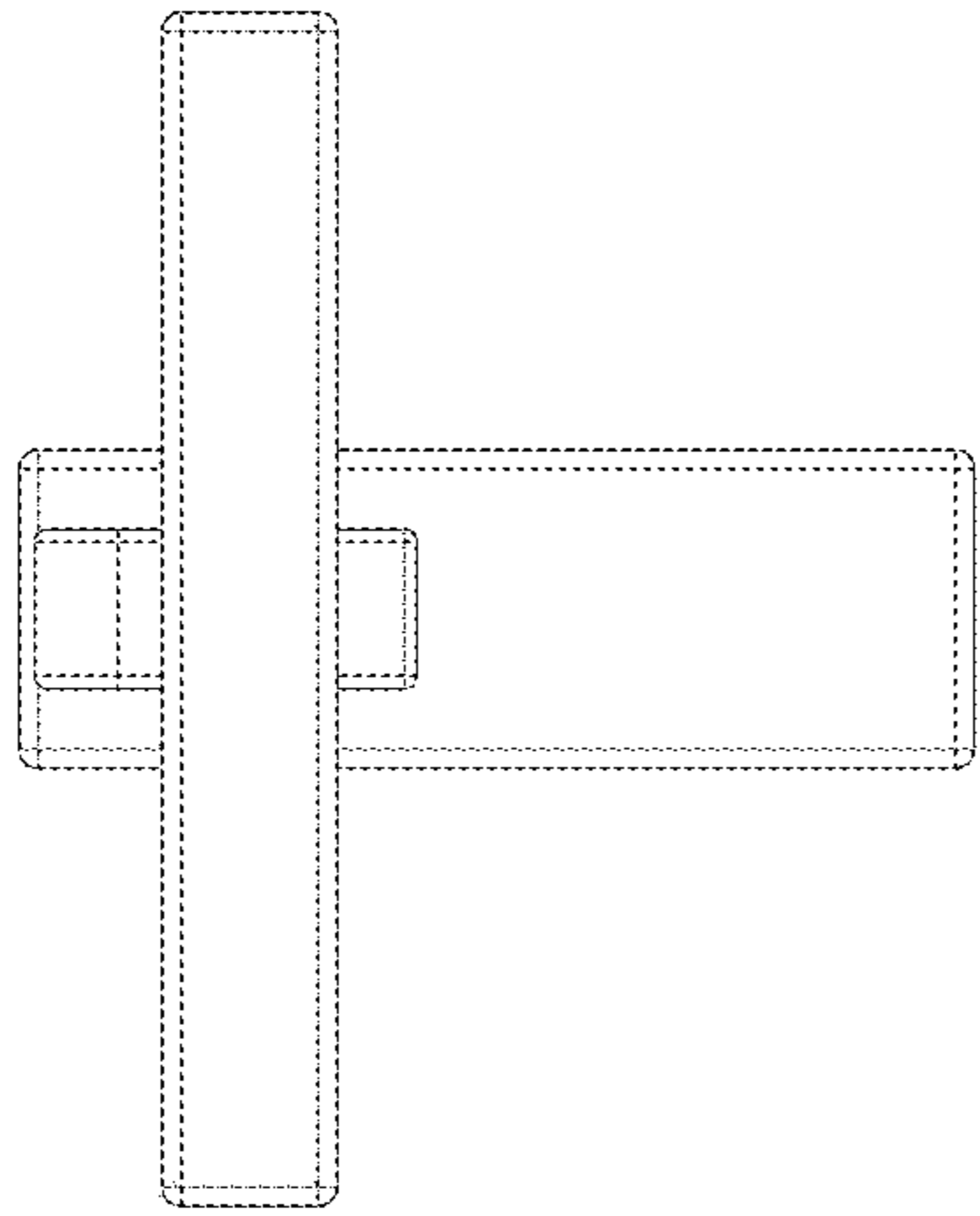


Fig - 7