



US00D948986S

(12) **United States Design Patent** (10) **Patent No.:** **US D948,986 S**
Park (45) **Date of Patent:** **** Apr. 19, 2022**

(54) **KNOB** 1,772,371 A * 8/1930 Specht A47B 95/02
16/420
(71) Applicant: **DELTA FAUCET COMPANY,** D214,778 S * 7/1969 Solie D8/306
Indianapolis, IN (US) D229,289 S * 11/1973 Tegner D8/307
D236,942 S * 9/1975 Palm, Jr. D8/307
(72) Inventor: **Maris Park,** McCordsville, IN (US) D246,422 S * 11/1977 Clayton D8/307
D715,619 S * 10/2014 Fritz D8/306
(73) Assignee: **DELTA FAUCET COMPANY,** 2003/0182764 A1 * 10/2003 Jeffries E05B 1/0092
Indianapolis, IN (US) 16/445

(**) Term: **15 Years**

(21) Appl. No.: **29/754,258**

(22) Filed: **Oct. 8, 2020**

(51) **LOC (13) Cl.** **08-06**

(52) **U.S. Cl.**
USPC **D8/307; D8/306**

(58) **Field of Classification Search**
USPC D8/300, 306, 307, 310, 367, 401;
D7/393; D23/250, 252, 254
CPC ... Y10T 292/57; Y10T 16/469; Y10T 292/82;
Y10T 74/2084; Y10T 292/85; Y10T
16/458; Y10T 16/506; Y10T 70/5155;
Y10T 16/46; Y10T 16/4559; Y10T
74/20828; Y10T 70/8541; Y10T
74/20612; Y10T 16/459; Y10T 16/487;
Y10T 70/5389; Y10T 16/462; Y10T
16/4636; E05B 1/0007; E05B 3/00; Y10S
16/30; Y10S 292/53; Y10S 292/27
See application file for complete search history.

(56) **References Cited**

U.S. PATENT DOCUMENTS

301,290 A * 7/1884 Smith A47B 95/02
16/420
414,867 A * 11/1889 Moffett A47B 95/02
16/420

* cited by examiner

Primary Examiner — Lauren R Calve

(74) *Attorney, Agent, or Firm* — Nirav D. Parikh; Edgar
A. Zarins

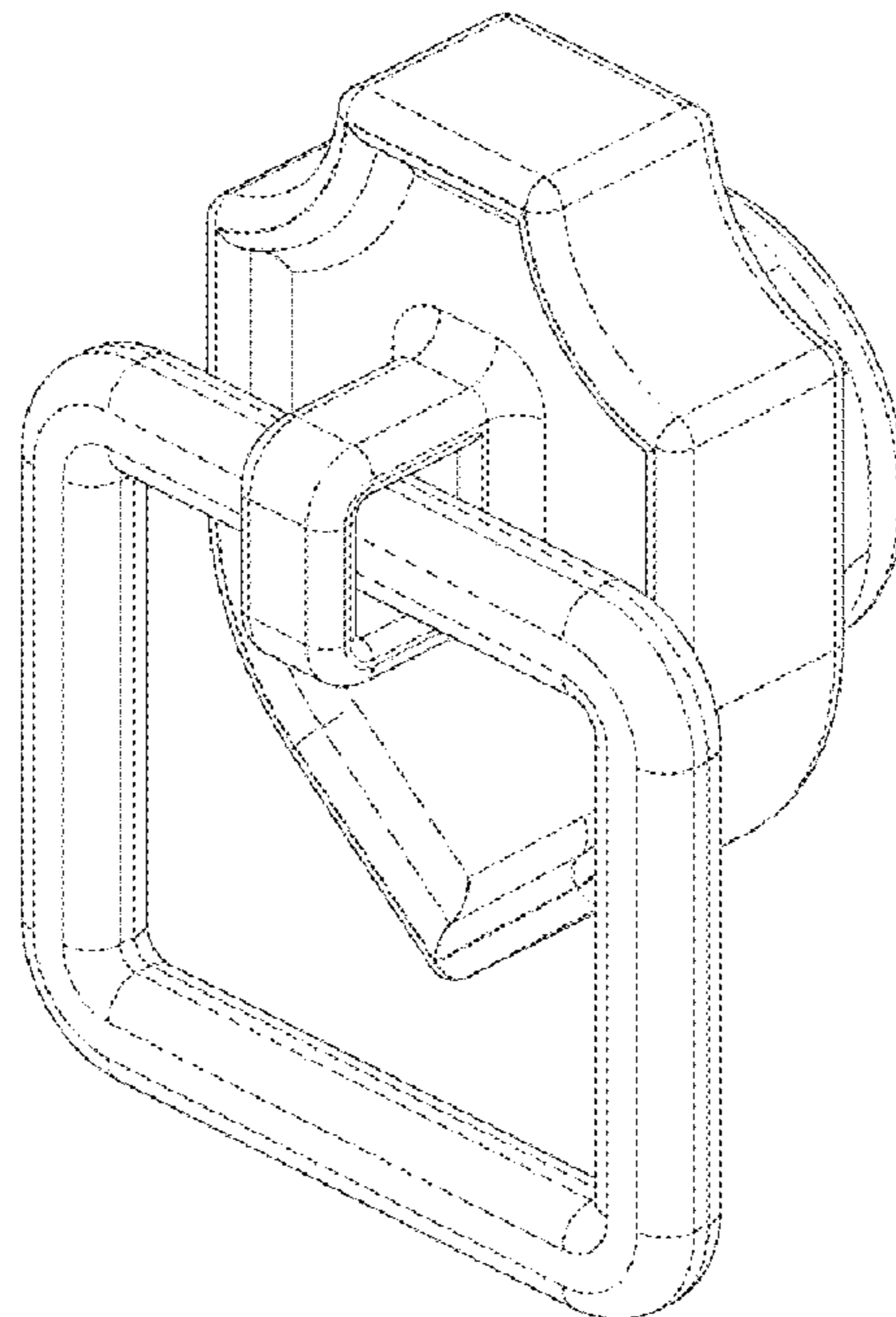
(57) **CLAIM**

The ornamental design for a knob, as shown and described.

DESCRIPTION

FIG. 1 is a front perspective view of a knob showing my new design;
FIG. 2 is a rear perspective view thereof;
FIG. 3 is a front elevational view thereof;
FIG. 4 is a left side view thereof;
FIG. 5 is a rear view thereof;
FIG. 6 is a right side view thereof;
FIG. 7 is a top plan view thereof; and,
FIG. 8 is a bottom view thereof.

1 Claim, 4 Drawing Sheets



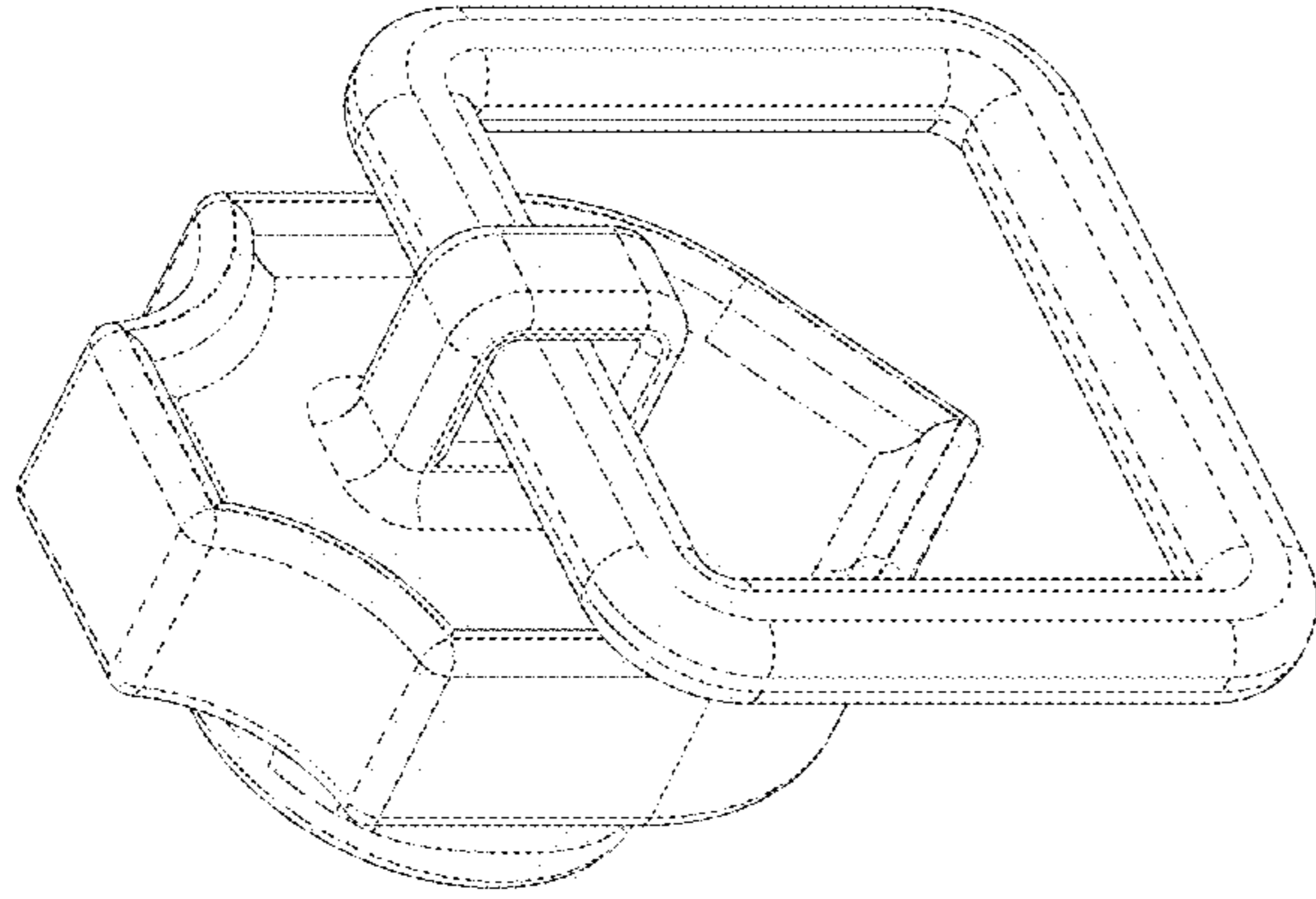


FIG - 2

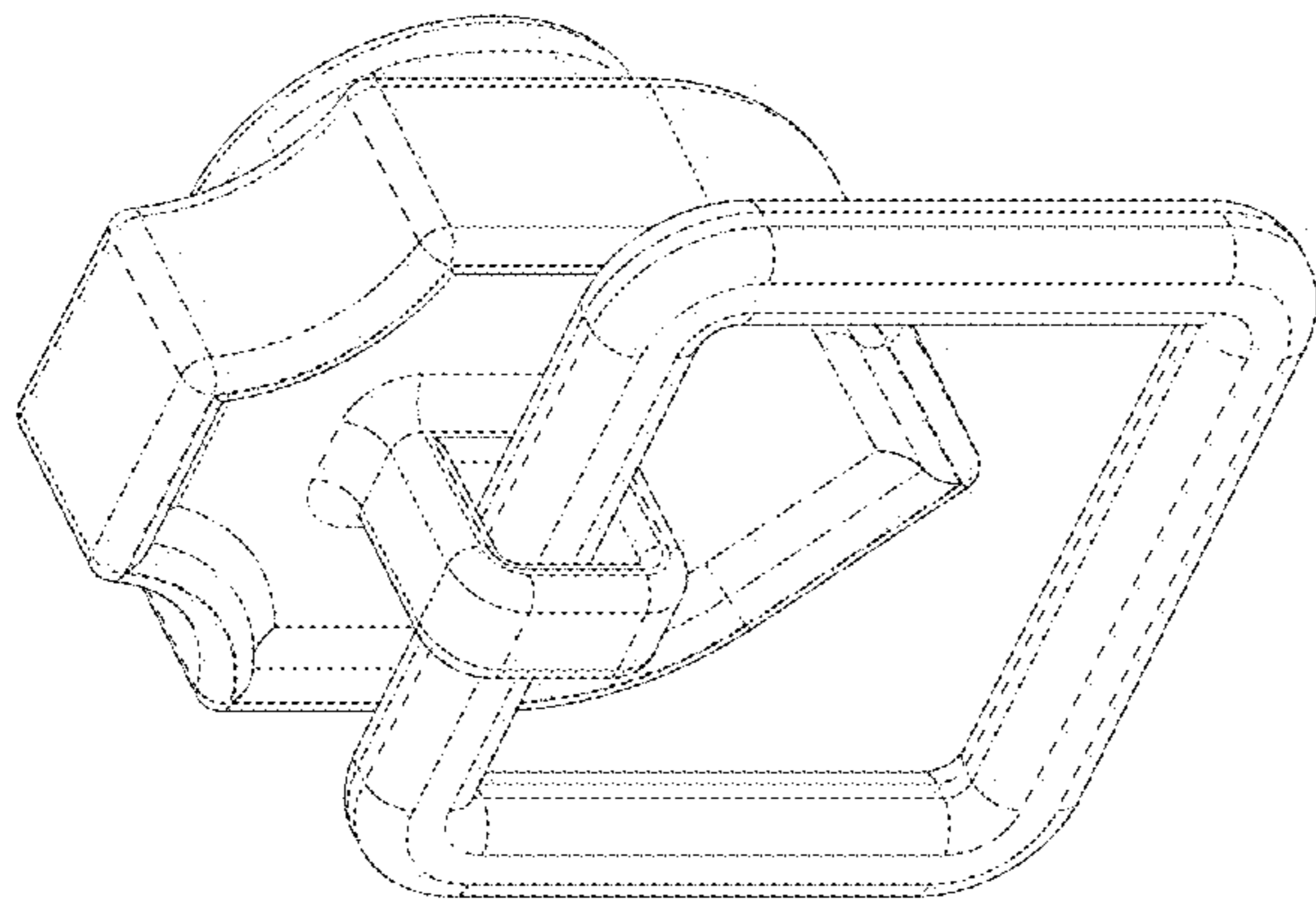


FIG - 1

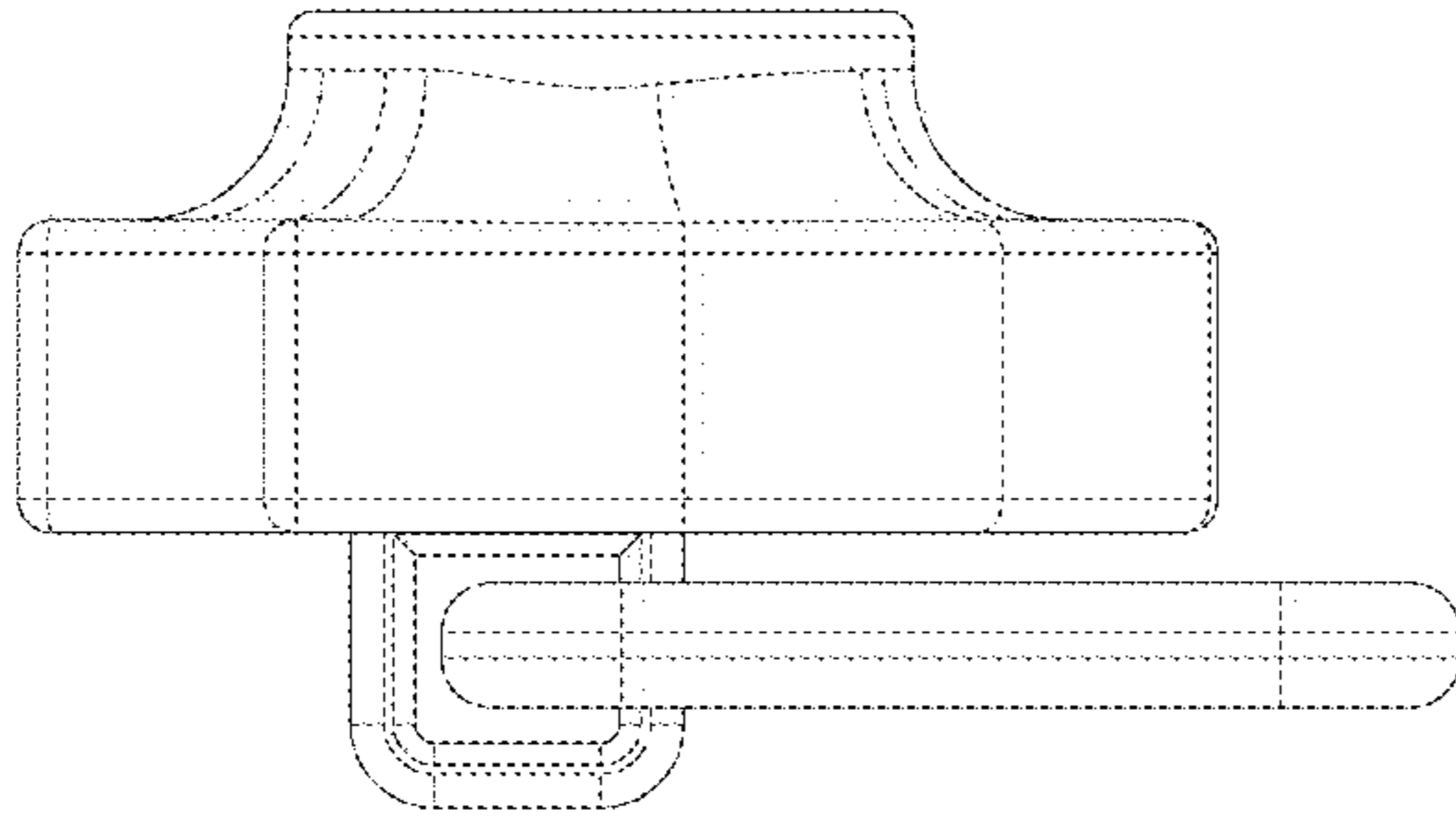


FIG - 4

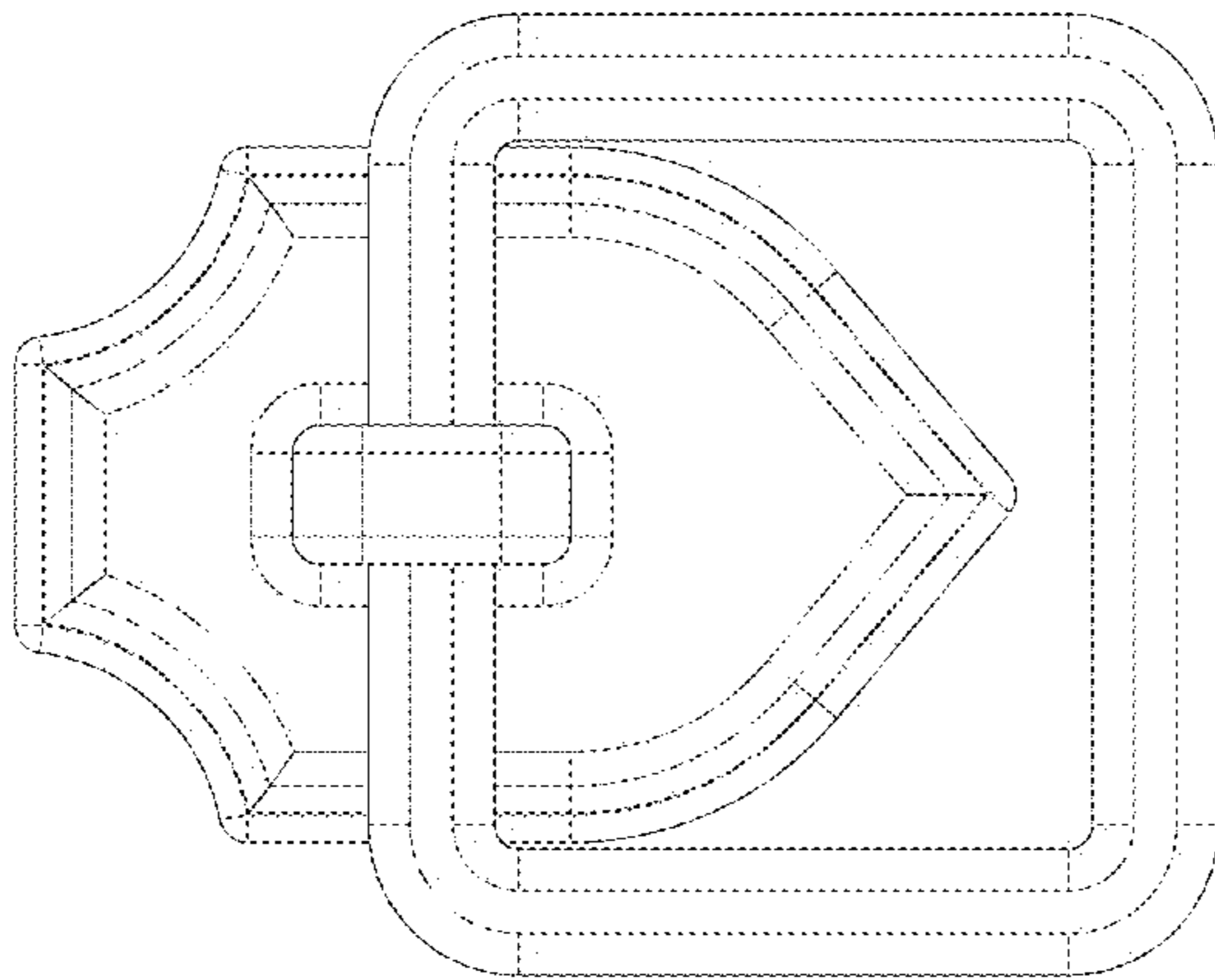


FIG - 3

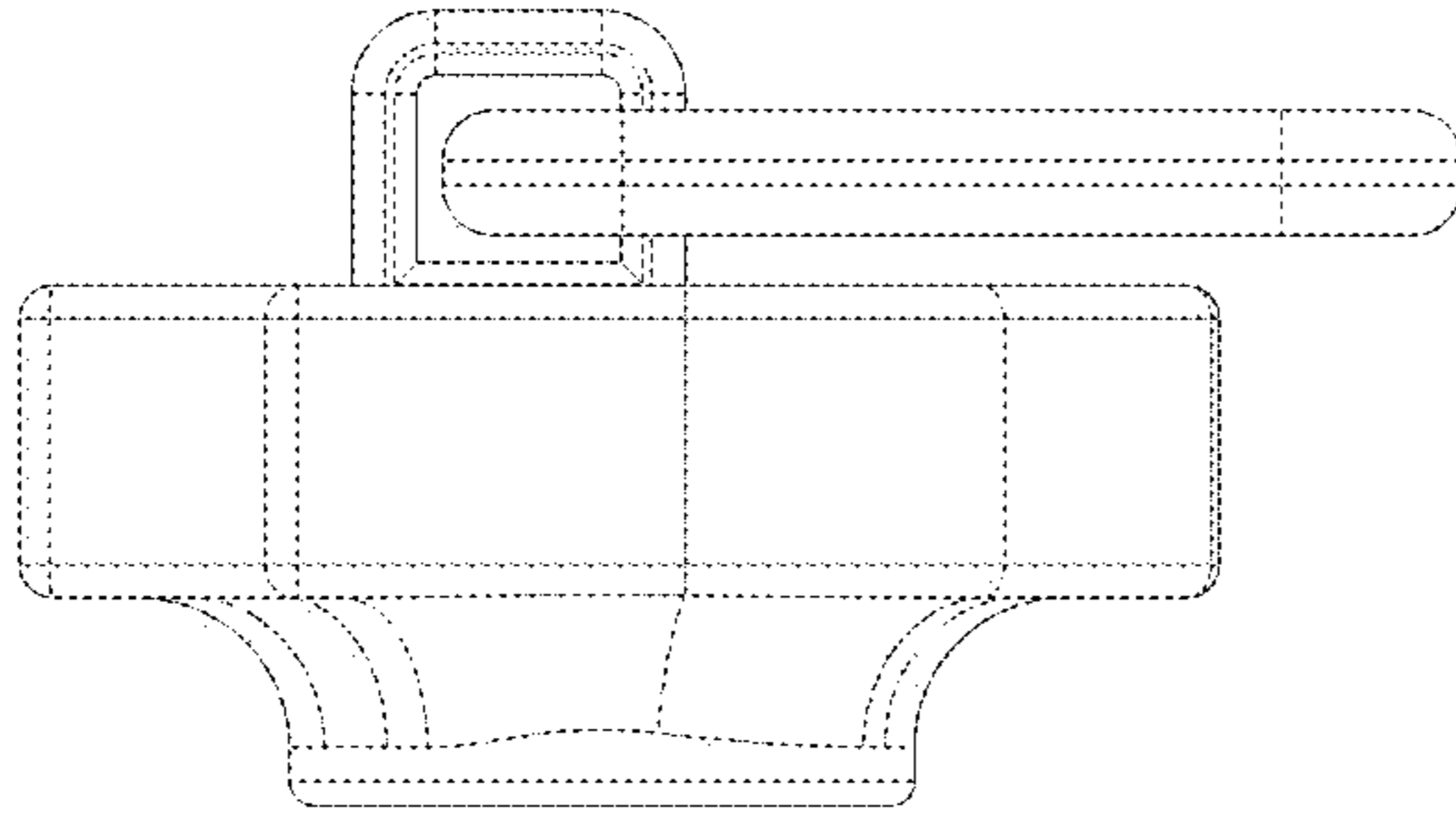


FIG - 6

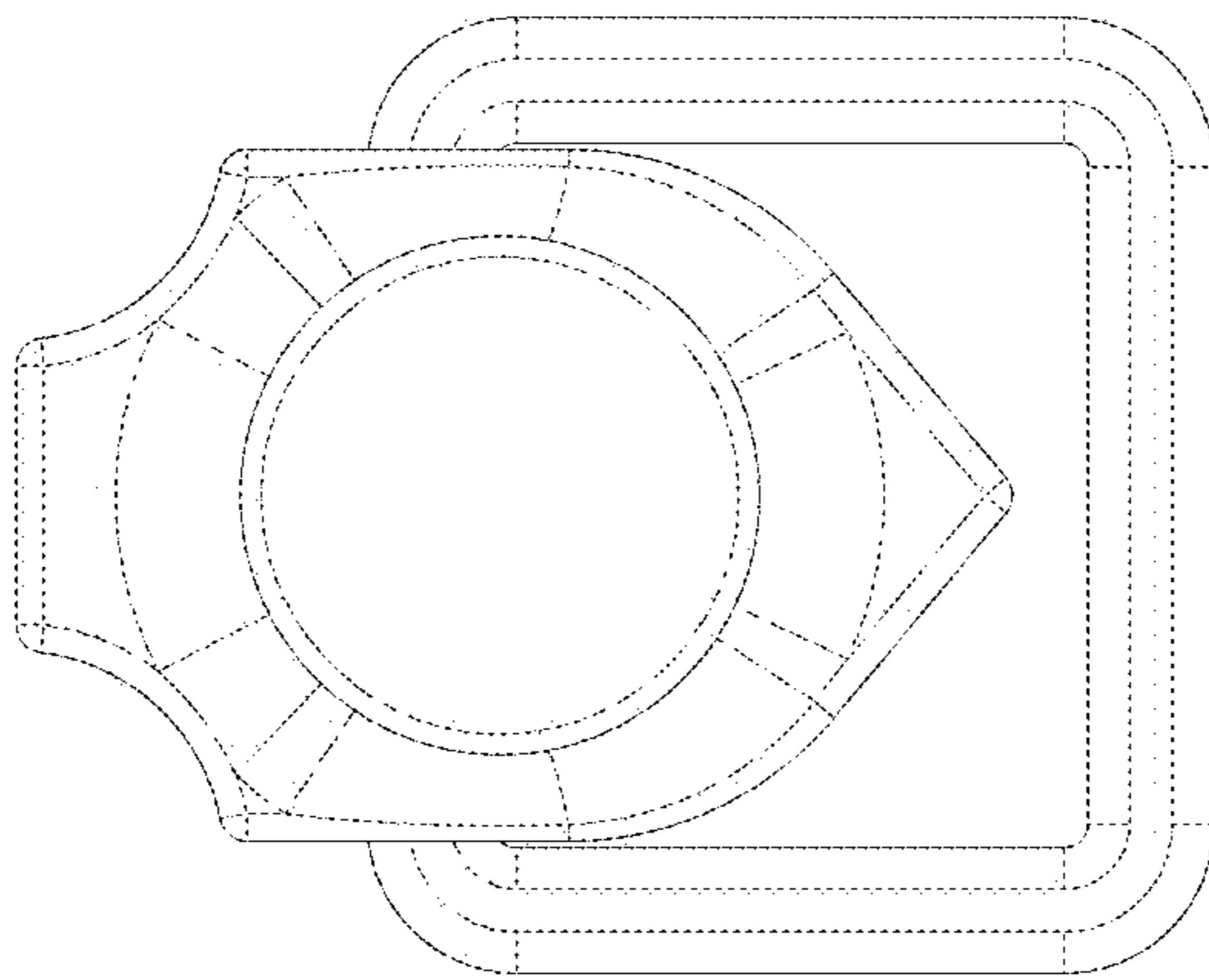


FIG - 5

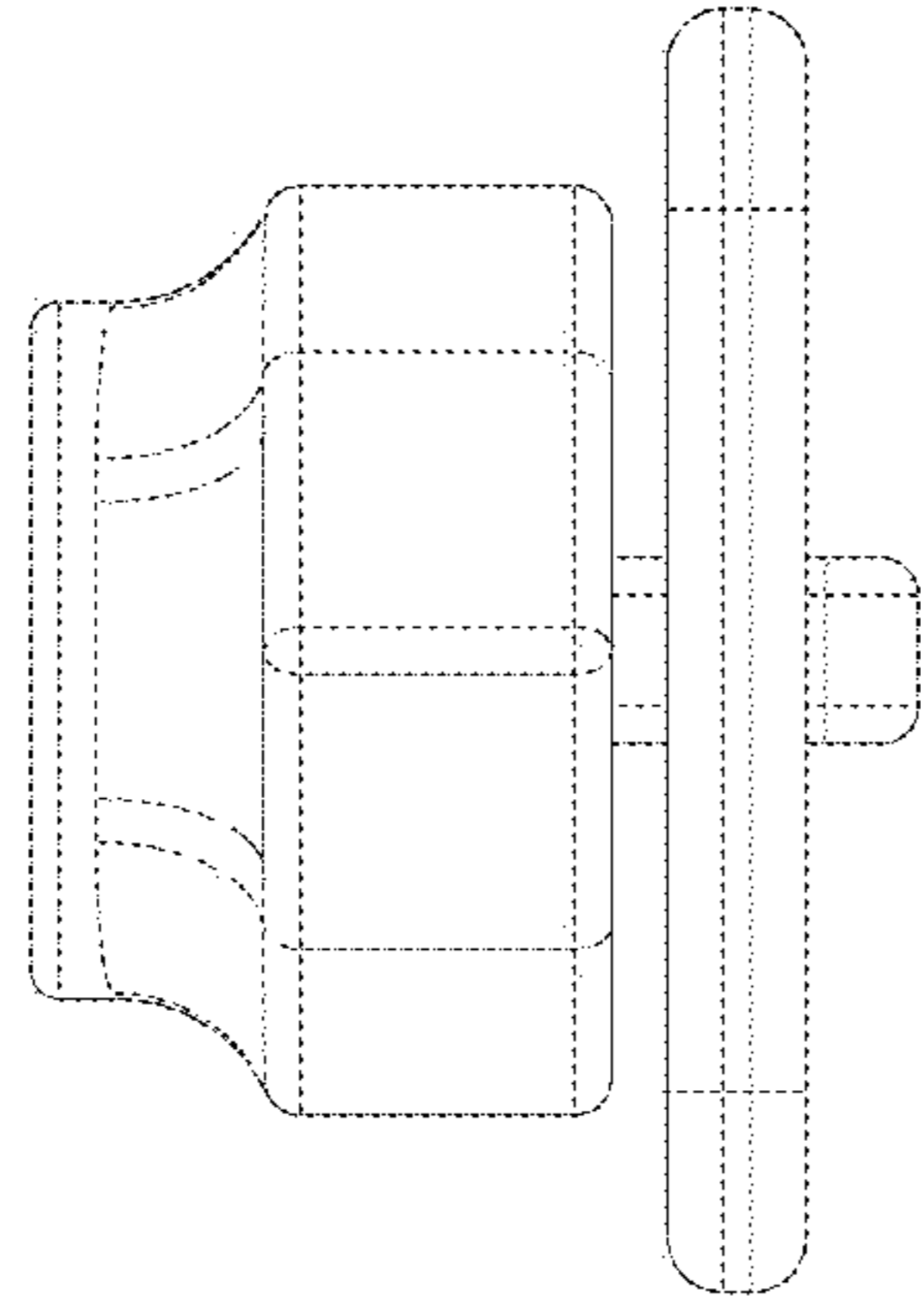


FIG - 8

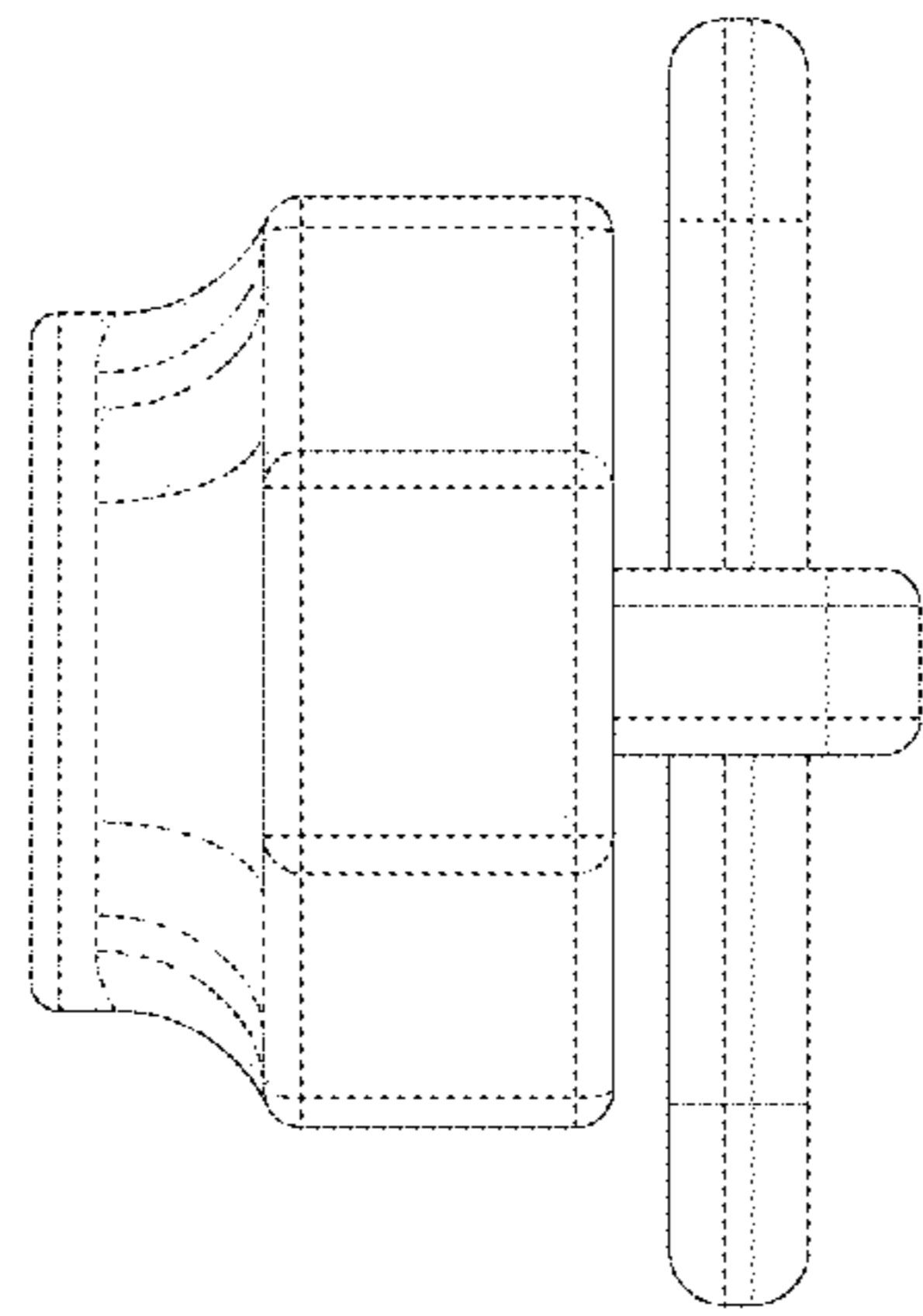


FIG - 7