



US00D948984S

(12) **United States Design Patent**  
**Omelchenko et al.**

(10) **Patent No.:** **US D948,984 S**

(45) **Date of Patent:** **\*\* Apr. 19, 2022**

(54) **SURVIVAL STOVE HEAD MULTI-TOOL**

(71) Applicants: **Anatoliy Omelchenko**, Brooklyn, NY (US); **Nataliia Omelchenko**, Brooklyn, NY (US)

(72) Inventors: **Anatoliy Omelchenko**, Brooklyn, NY (US); **Nataliia Omelchenko**, Brooklyn, NY (US)

(\*\*) Term: **15 Years**

(21) Appl. No.: **29/743,787**

(22) Filed: **Jul. 24, 2020**

(51) **LOC (13) Cl.** ..... **08-05**

(52) **U.S. Cl.**  
USPC ..... **D8/105**; D8/20; D8/34; D3/210

(58) **Field of Classification Search**  
USPC ..... D8/105, 16, 18, 19, 20, 34, 40, 41; D3/210  
CPC ..... A47J 33/00; A47J 36/26; A47J 36/2477; F24C 1/16; F24C 5/20; F24C 15/10; B25F 1/00; B25F 1/02; F24B 1/202; F24B 1/205  
See application file for complete search history.

(56) **References Cited**

U.S. PATENT DOCUMENTS

D53,260 S *	4/1919	Von Tobel	7/169
D57,561 S *	4/1921	Wilson	D8/19
D165,198 S *	11/1951	Uttz	D7/644
D230,898 S *	3/1974	Greene	D8/18
4,461,080 A *	7/1984	Olson	A22C 21/063 7/161
D353,759 S *	12/1994	Flynn	D8/18
D406,153 S *	2/1999	Holzer	D15/32
D453,372 S *	2/2002	Pecoskie	D23/343
7,287,344 B2 *	10/2007	Kostyak	E02F 3/8152 37/449
D578,847 S *	10/2008	Mashburn	D8/20
D669,331 S *	10/2012	Burdyshaw	D8/105

D743,760 S *	11/2015	Barr	D8/19
D781,125 S *	3/2017	Manor	D8/105
D879,580 S *	3/2020	Spater	D8/19
D893,975 S *	8/2020	Tran	D8/19
D918,692 S *	5/2021	Adelman	D8/356
2001/0035178 A1 *	11/2001	Pecoskie	F24C 5/02 126/50

(Continued)

OTHER PUBLICATIONS

Survival Stove Head Tool by Triangle Tree on Aug. 25, 2020. <<https://triangletree.com/product/survival-stove-head-tool/>> (Year: 2020).\*

(Continued)

*Primary Examiner* — Janice Hallmark

(74) *Attorney, Agent, or Firm* — Larson & Larson, P.A.; Justin P. Miller; Frank Liebenow

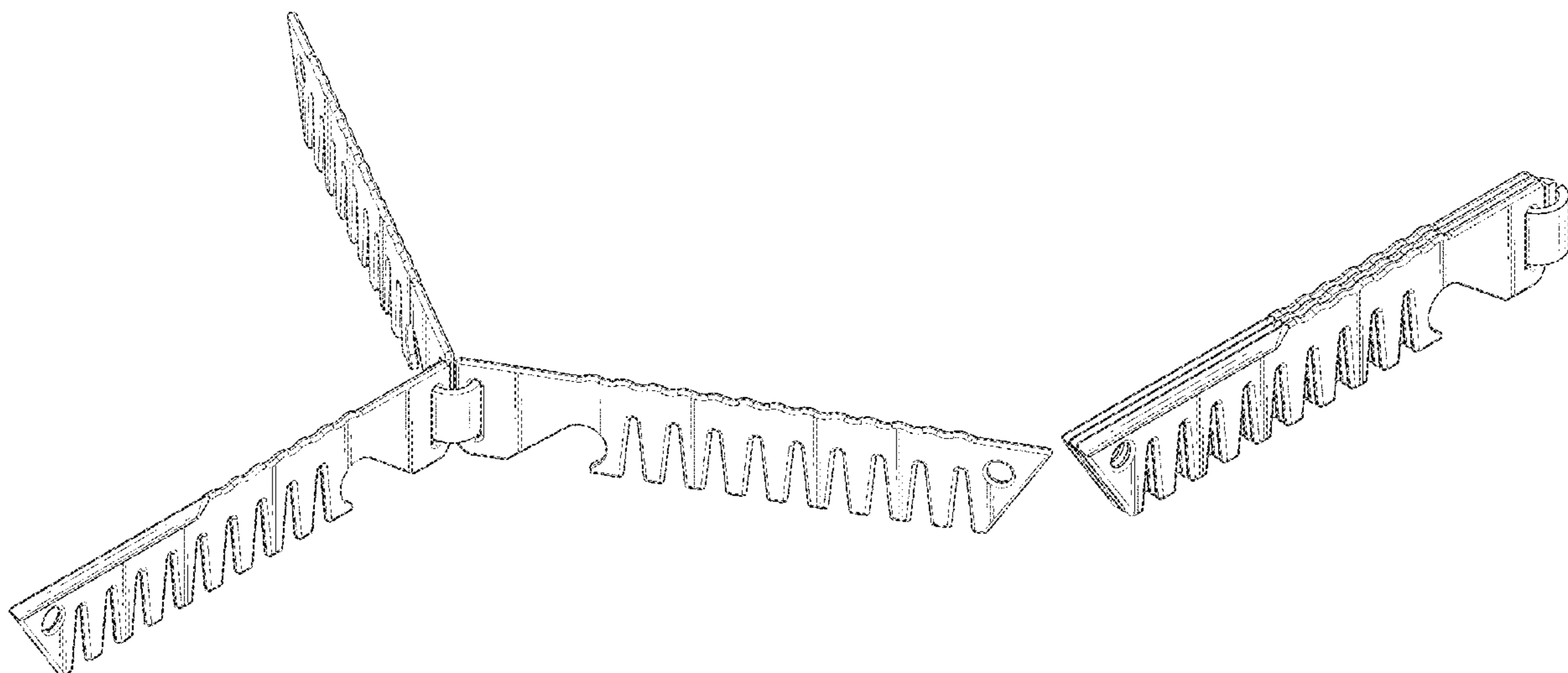
(57) **CLAIM**

We claim the ornamental design for a survival stove head multi-tool, as shown and described.

**DESCRIPTION**

FIG. 1 is a perspective view of a survival stove head multi-tool showing my new design; FIG. 2 is a right-side elevation view thereof; FIG. 3 is a left-side elevation view thereof; FIG. 4 is a front elevation view thereof; FIG. 5 is a back elevation thereof; FIG. 6 is a top plan view thereof; FIG. 7 is a bottom plan view thereof; FIG. 8 is a perspective view thereof, showing the survival stove head multi-tool collapsed; and, FIG. 9 is a perspective view showing the survival stove head multi-tool on the top, open-side of a circular container. The broken lines in FIG. 9 showing the circular container is included for the purpose of illustrating environmental structure and forms no part of the claimed design.

**1 Claim, 9 Drawing Sheets**



(56)

**References Cited**

U.S. PATENT DOCUMENTS

2014/0209083 A1\* 7/2014 Young ..... A47J 36/26  
126/30  
2018/0119960 A1\* 5/2018 Fisher ..... F24C 1/16

OTHER PUBLICATIONS

The Survival Stove Head Accessory published by Kickstarter on Jun. 13, 2020. <<https://www.kickstarter.com/projects/anatoliyomelchenko/the-survival-stove-head-accessory/posts/2864284>> (Year: 2020).\*

Two-ounce camping tool slices firewood and turns any can into a stove published by New Atlas on Jun. 12, 2020. <<https://newatlas.com/outdoors/survival-stove-head-tool/>> (Year: 2020).\*

\* cited by examiner

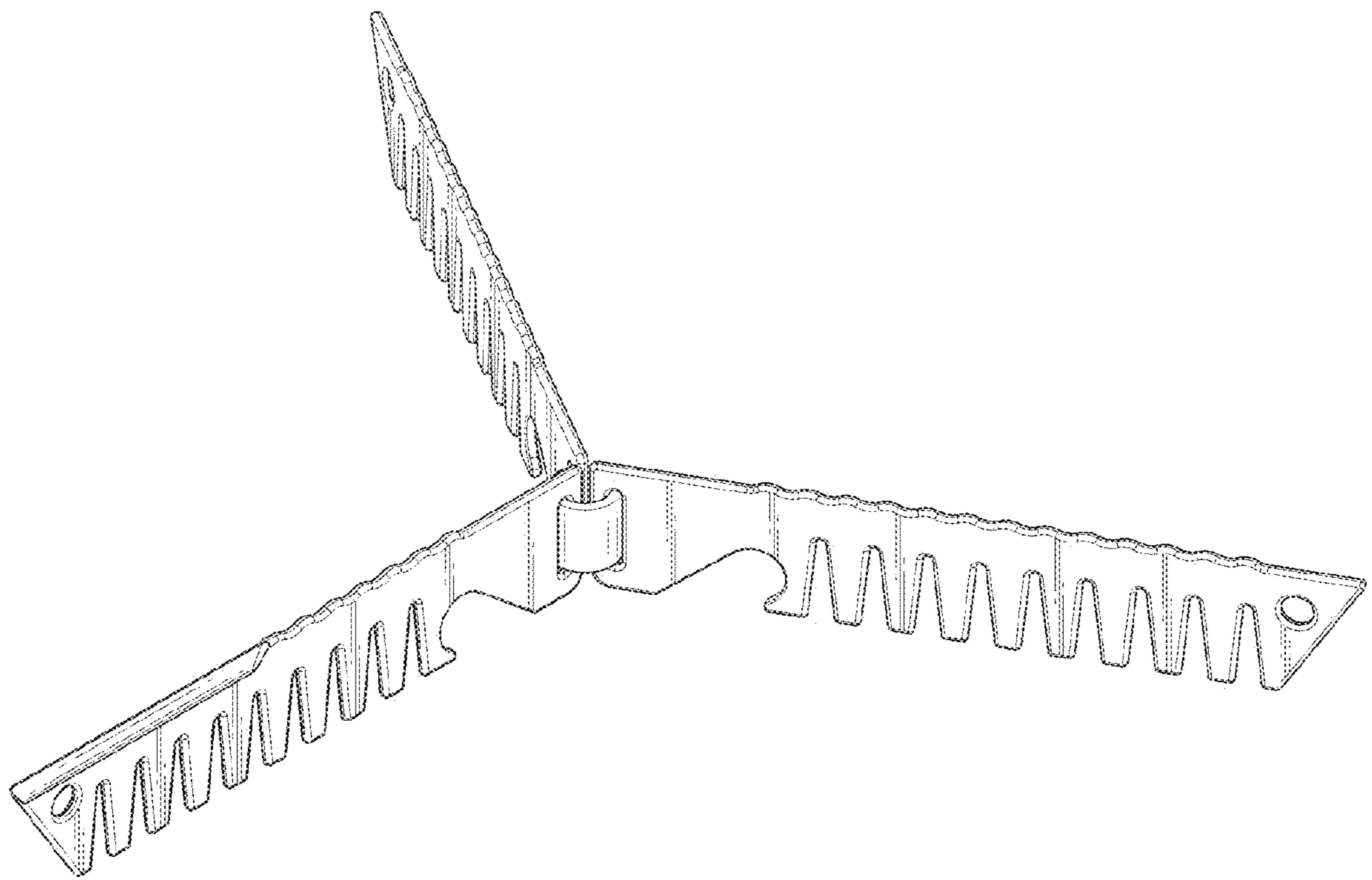


FIG. 1

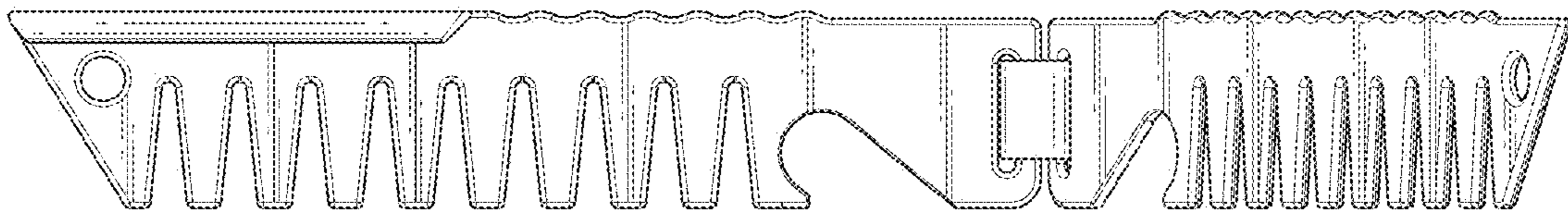


FIG. 2

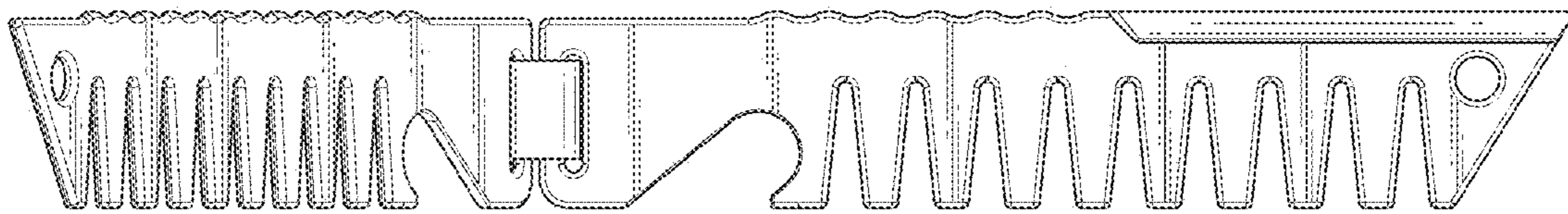


FIG. 3

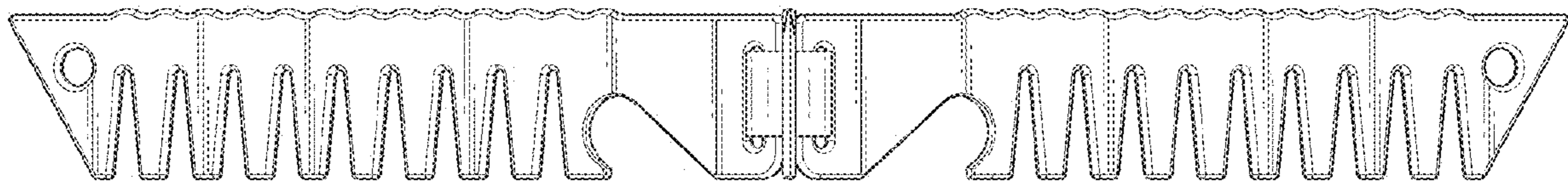


FIG. 4

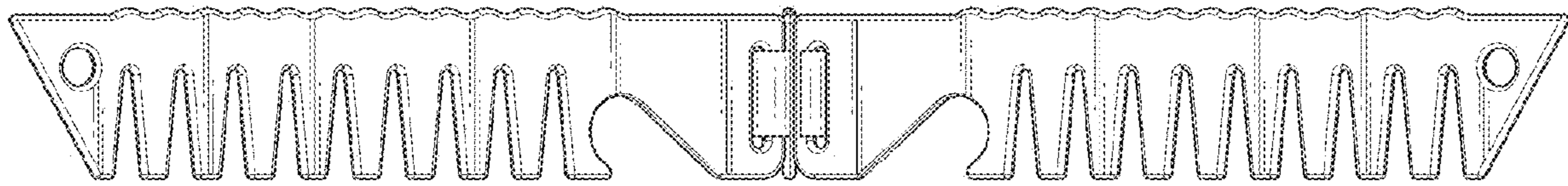


FIG. 5

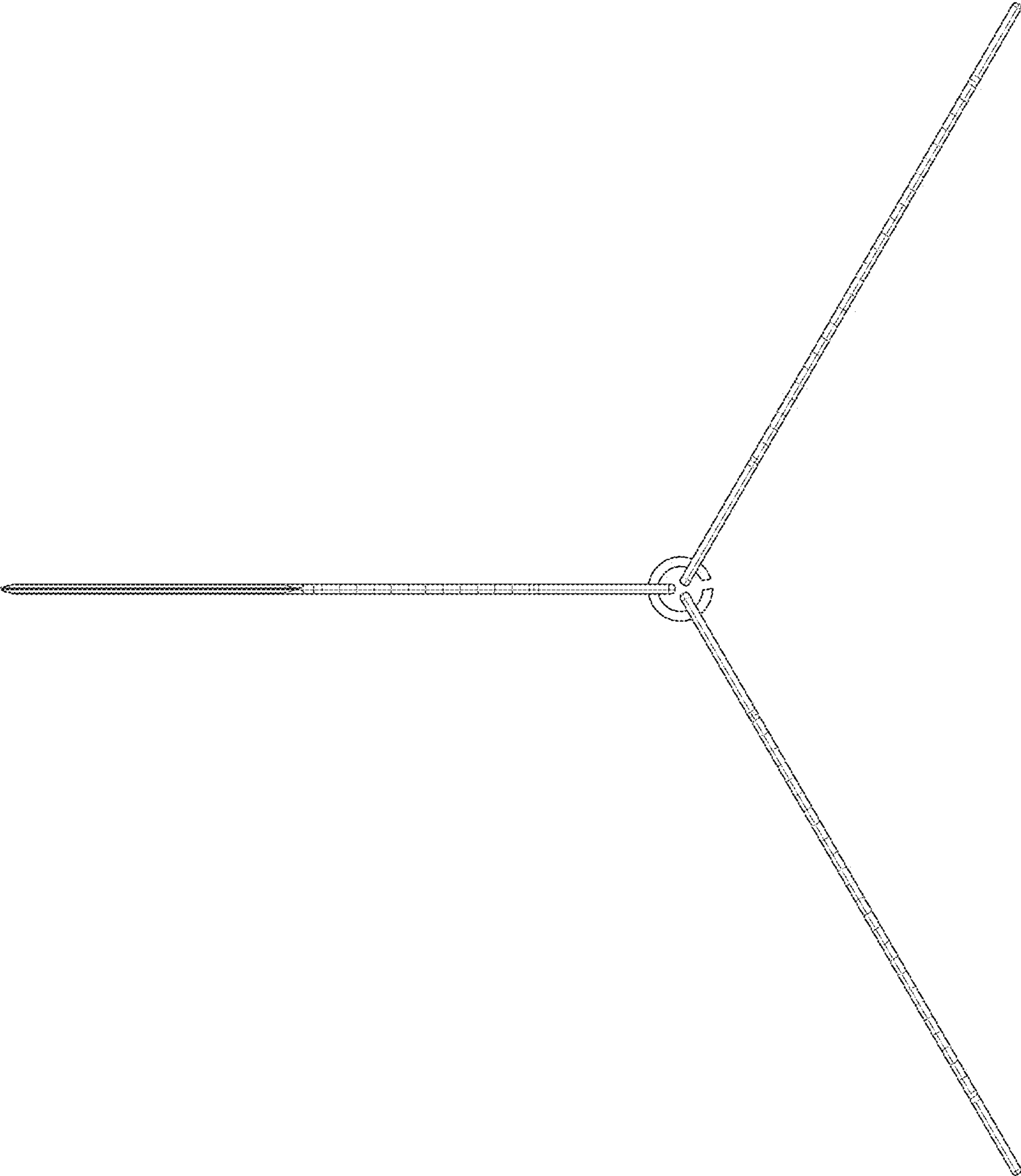


FIG. 6



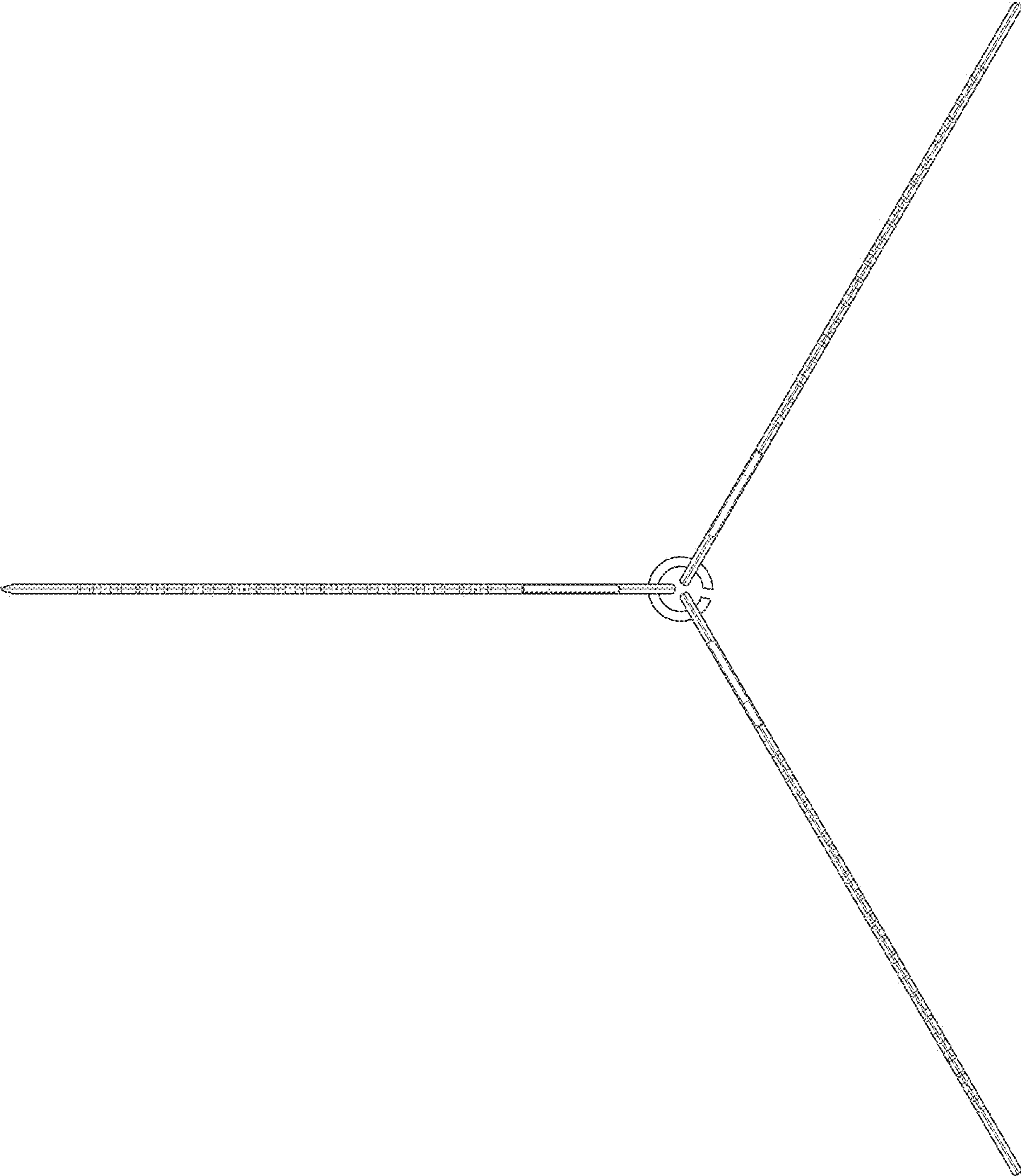


FIG. 7

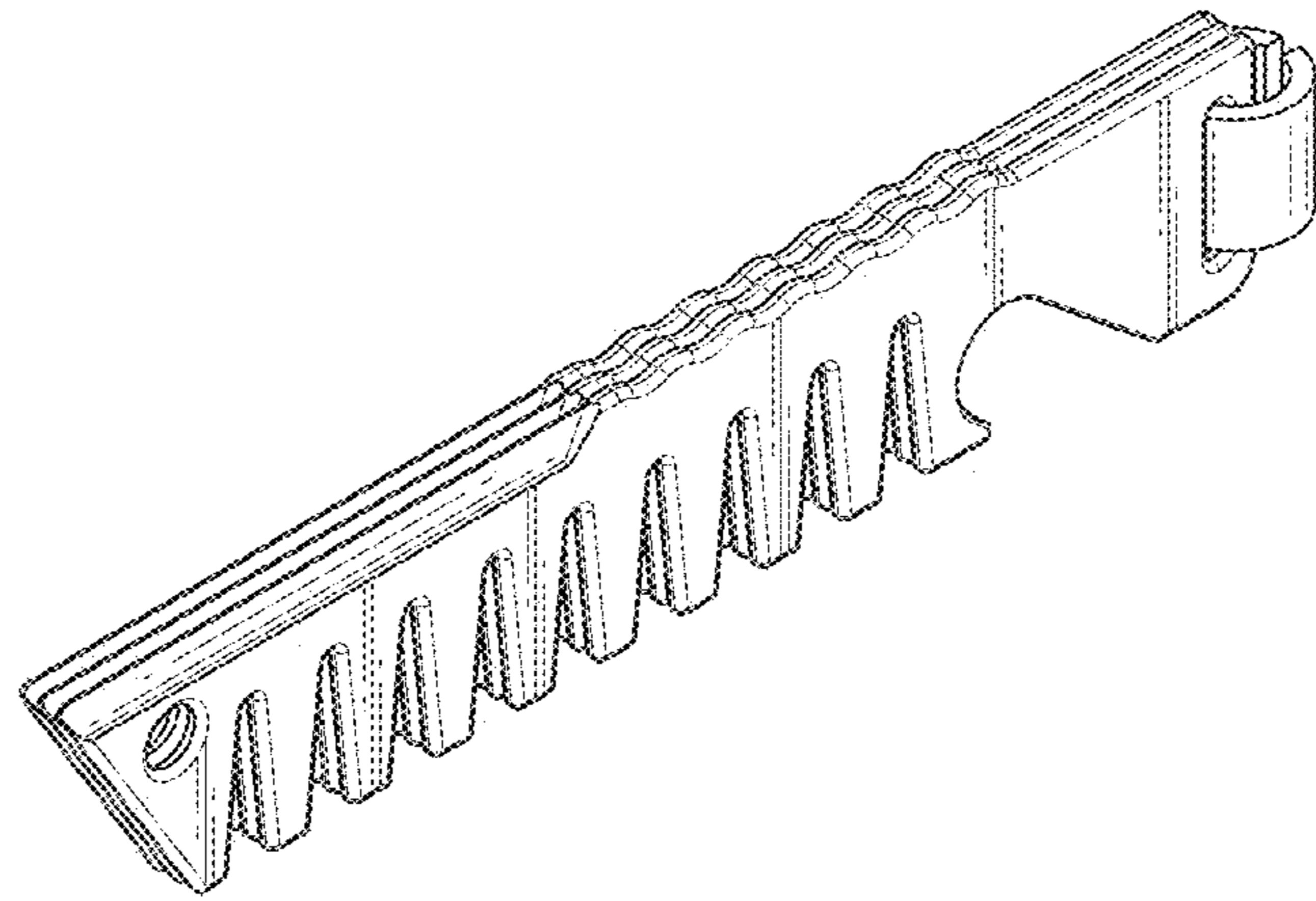


FIG. 8

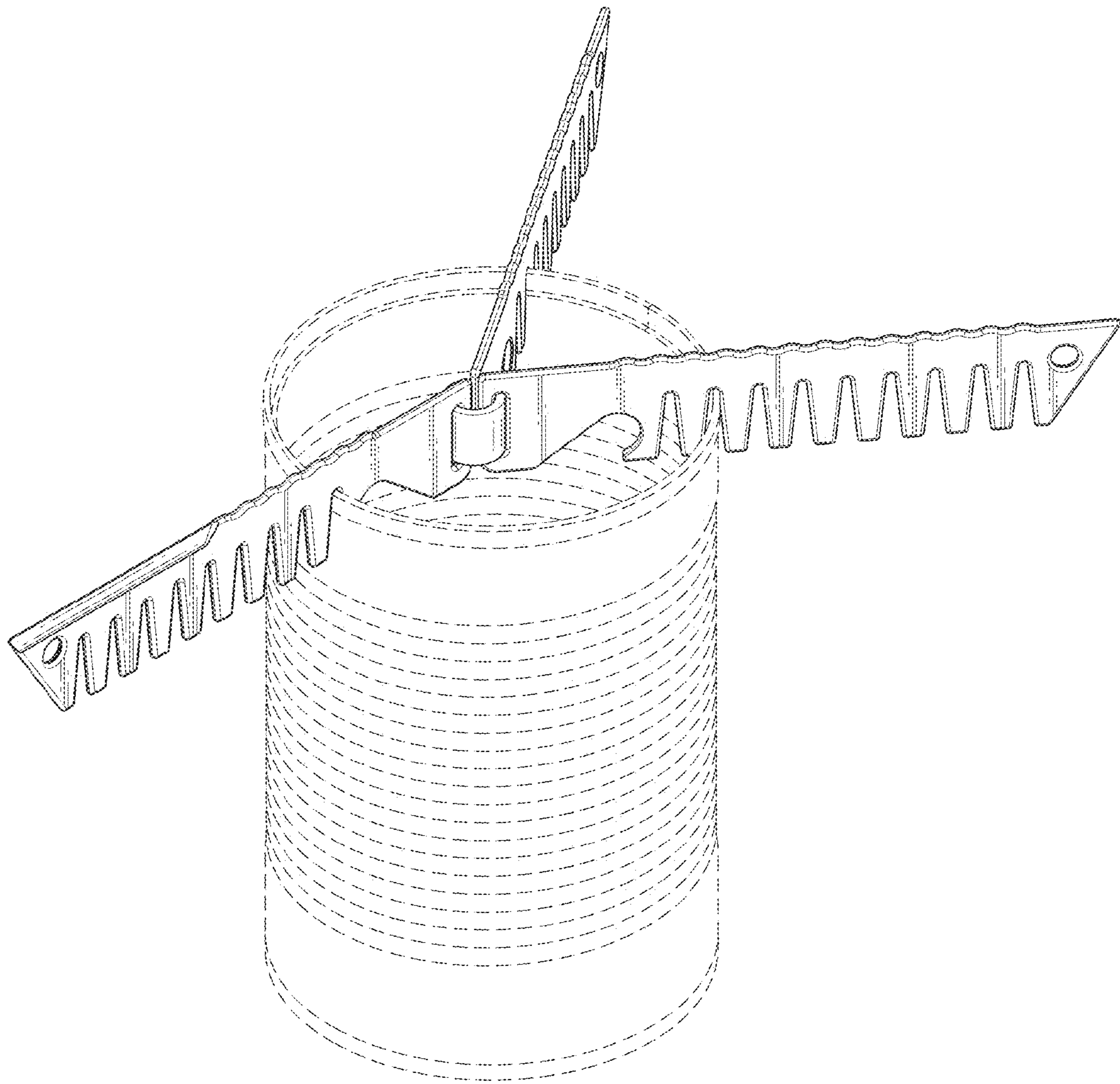


FIG. 9