



US00D948983S

(12) **United States Design Patent**
Swinscoe

(10) **Patent No.:** **US D948,983 S**

(45) **Date of Patent:** **** Apr. 19, 2022**

- (54) **HAMMER**
- (71) Applicant: **Trub Ltd**, West Wittering (GB)
- (72) Inventor: **Jordan Swinscoe**, West Wittering (GB)
- (73) Assignee: **Trub Ltd**, West Wittering (GB)

5,797,314 A * 8/1998 Hendrick B65F 1/1405
100/265
5,857,408 A * 1/1999 Witter B30B 9/3021
100/265
D464,550 S * 10/2002 Seppala D8/14
7,997,191 B2 * 8/2011 Chrysson B30B 9/3053
100/295

- (**) Term: **15 Years**
- (21) Appl. No.: **29/744,761**
- (22) Filed: **Jul. 31, 2020**

(30) **Foreign Application Priority Data**

Jan. 31, 2020 (EM) 007574967

- (51) **LOC (13) Cl.** **08-02**
- (52) **U.S. Cl.**
USPC **D8/75; D8/14**
- (58) **Field of Classification Search**
USPC D8/14, 75, 76, 77, 78, 79, 81, 107
CPC B65F 1/1405; B30B 9/3021; B30B 9/321;
Y10S 100/902
See application file for complete search history.

(56) **References Cited**

U.S. PATENT DOCUMENTS

D169,561 S * 5/1953 Raymond D7/682
D256,770 S * 9/1980 Broyles 100/295
4,358,142 A * 11/1982 Montalvo B30B 9/321
100/299
D269,471 S * 6/1983 Auerbach D32/35
4,682,539 A * 7/1987 Bramblett B30B 9/321
100/265
D362,381 S * 9/1995 Wilson D8/14
D386,953 S * 12/1997 Fiore D8/14

OTHER PUBLICATIONS

Schaaf Wood Carving 12oz Precision Woodcarvers Mallet, published on AMAZON.com Oct. 11, 2018.*
Examination Report from Canadian Application No. 196990; dated Nov. 9, 2021.

* cited by examiner

Primary Examiner — Philip S Hyder
(74) *Attorney, Agent, or Firm* — Fleit Intellectual Property Law; Paul D. Bianco; Gary S. Winer

(57) **CLAIM**

The ornamental design for a hammer, as shown and described.

DESCRIPTION

FIG. 1 is a first perspective view of a hammer according to the present invention.

FIG. 2 is a second perspective view of the hammer of FIG. 1.

FIG. 3 is a side view of the hammer of FIG. 1, with the views from the other side, front, and back being identical.

FIG. 4 is a top view of the hammer of FIG. 1; and,

FIG. 5 is a bottom view of the hammer of FIG. 1.

1 Claim, 2 Drawing Sheets

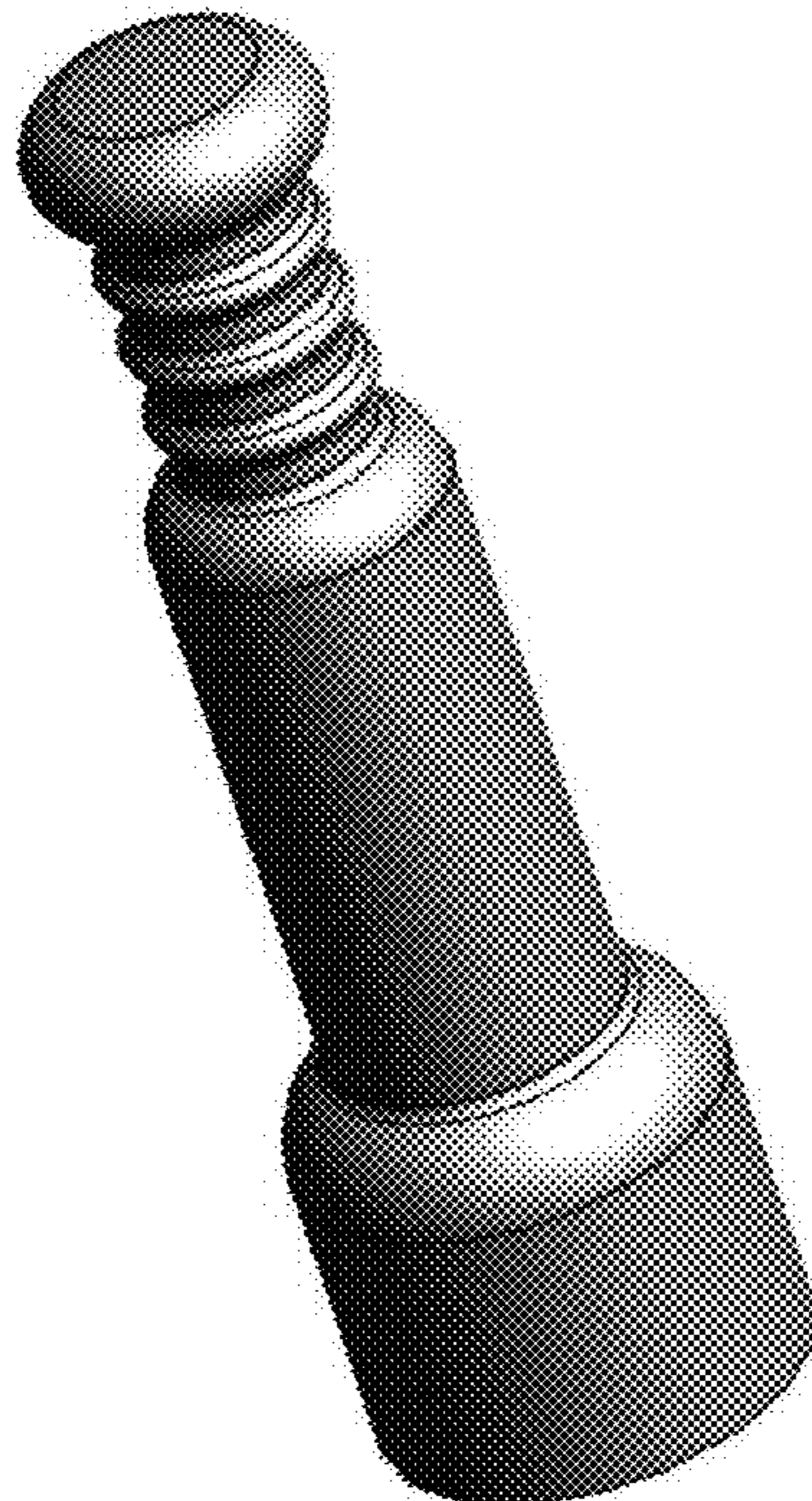


FIG. 1

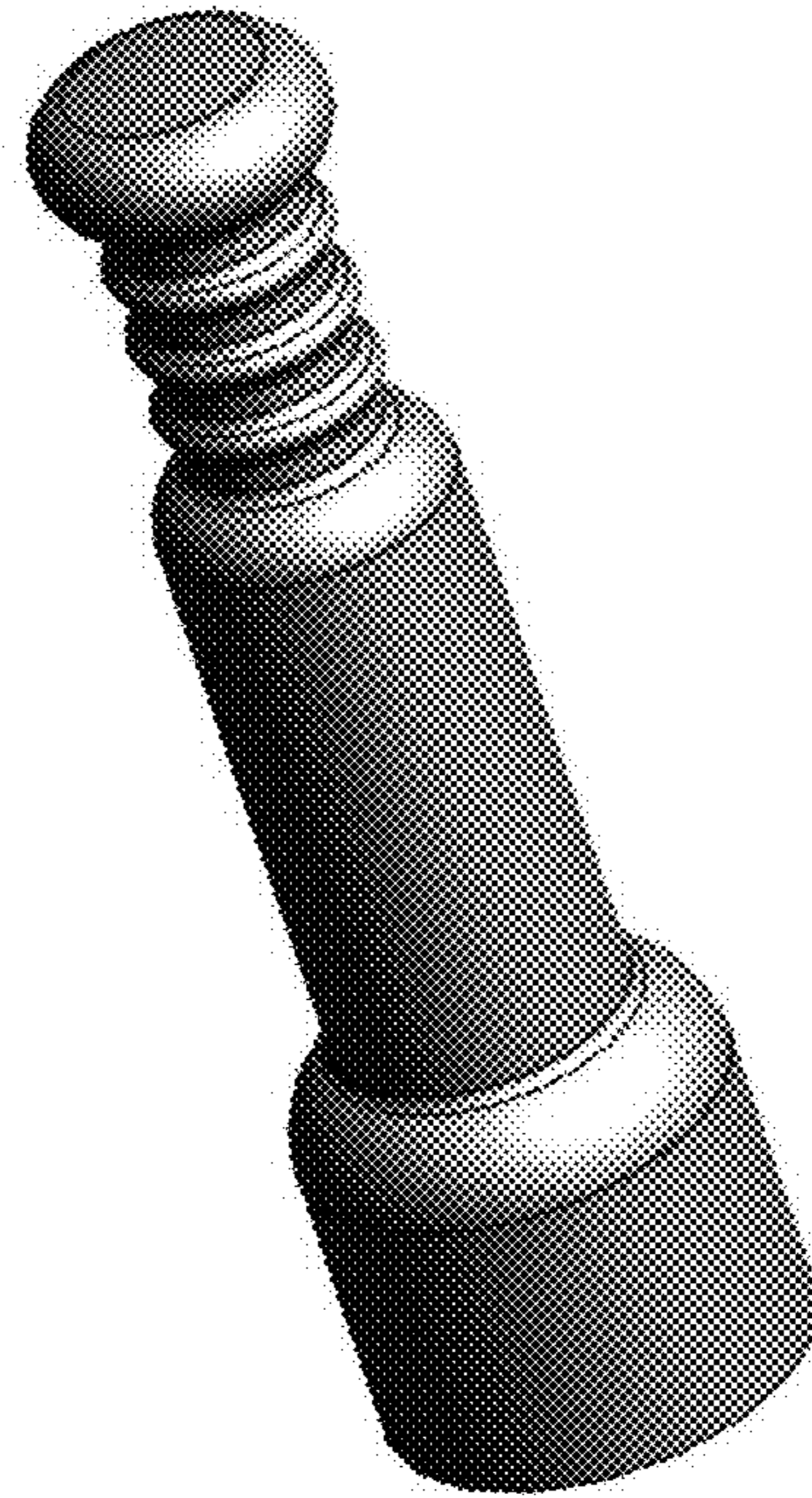
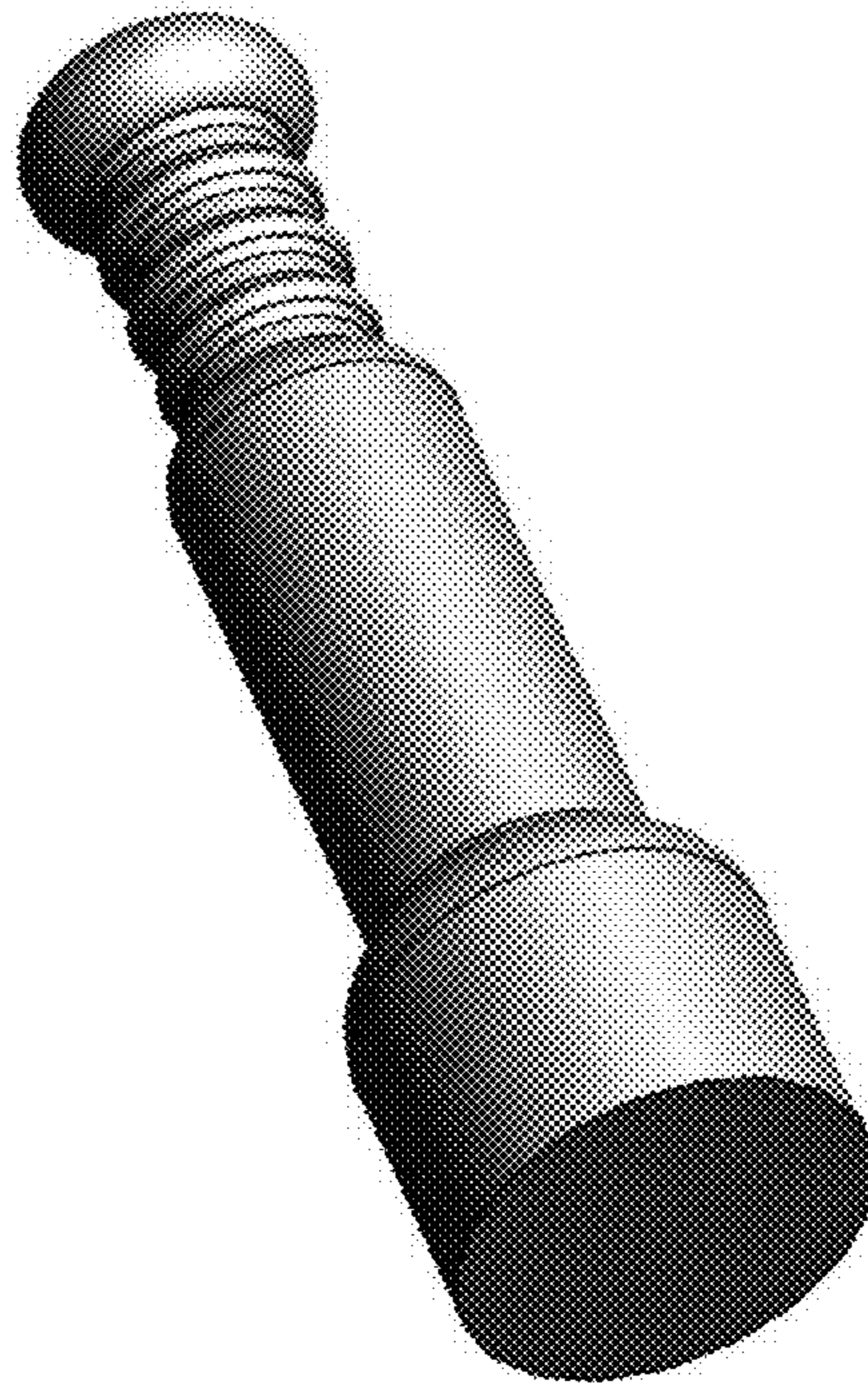


FIG. 2



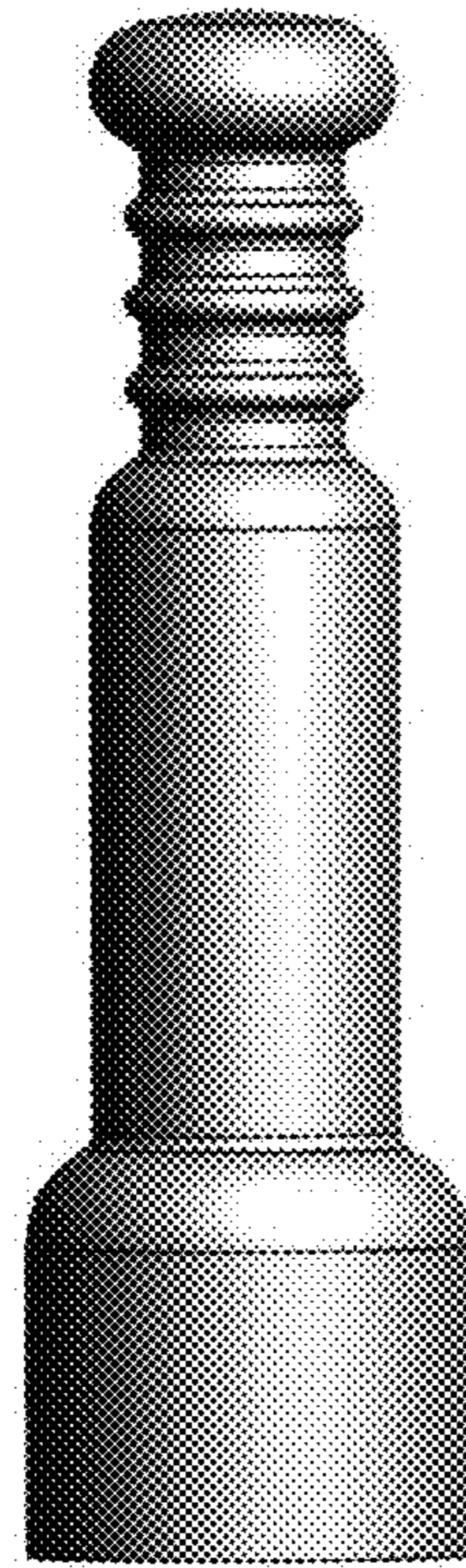


FIG. 3

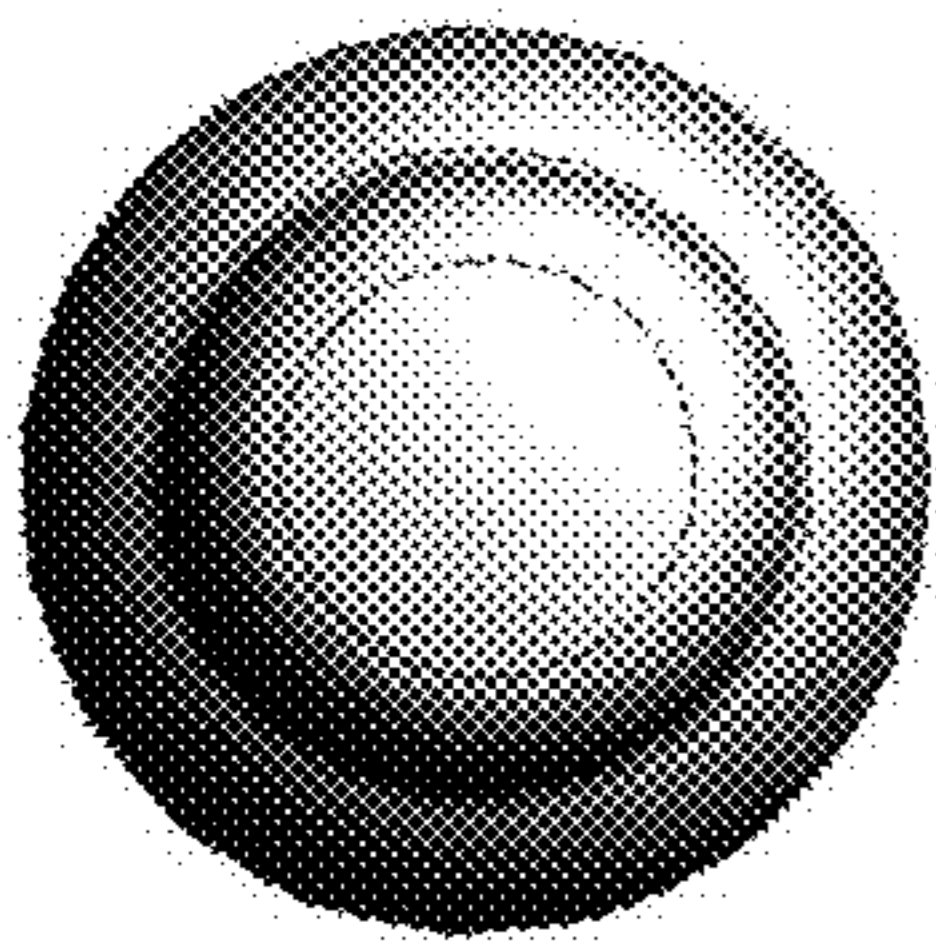


FIG. 4

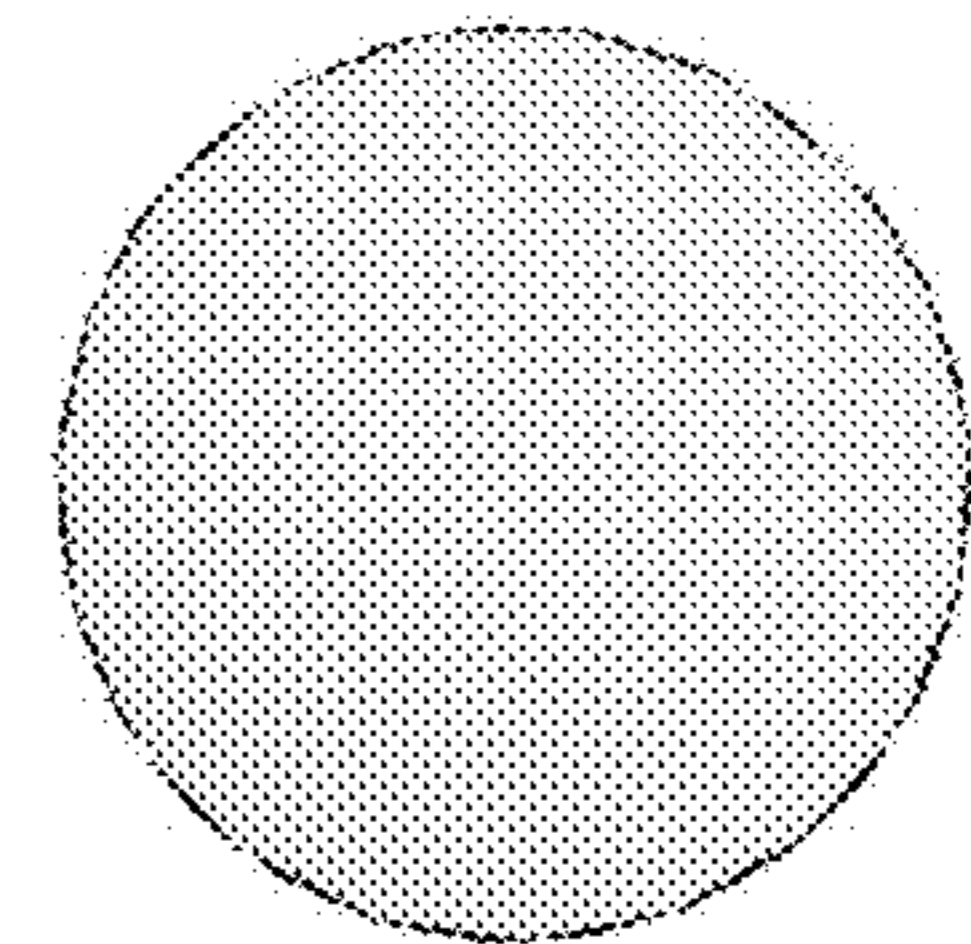


FIG. 5