



US00D948982S

(12) **United States Design Patent**
Sun

(10) **Patent No.:** **US D948,982 S**

(45) **Date of Patent:** **** Apr. 19, 2022**

(54) **PRECISION BENCH VISE**

(71) Applicant: **Eric Sun**, Huntington Beach, CA (US)

(72) Inventor: **Eric Sun**, Huntington Beach, CA (US)

(**) Term: **15 Years**

(21) Appl. No.: **29/755,038**

(22) Filed: **Oct. 16, 2020**

(51) **LOC (13) Cl.** **08-74**

(52) **U.S. Cl.**
USPC **D8/74**

(58) **Field of Classification Search**
USPC D8/71-74, 394-399, 59; 248/63, 72,
248/74.1, 689, 124.2; 81/487, 385, 386,
81/388-390; 269/3, 4, 6, 143, 165, 240,
269/243, 246-249, 254 R, 147-149;
29/256, 257, 276; 408/103, 104-109
CPC B25B 1/00; B25B 5/00
See application file for complete search history.

(56) **References Cited**

U.S. PATENT DOCUMENTS

4,807,863	A *	2/1989	Yang	B25B 1/103
					269/153
5,531,428	A *	7/1996	Dembicks	B25B 1/103
					269/172
7,293,765	B2 *	11/2007	Hooper	B25B 1/103
					269/246
D680,843	S *	4/2013	Onello	D8/74
D705,031	S *	5/2014	Zhang	D8/74
D707,096	S *	6/2014	Zhang	D8/74
D716,627	S *	11/2014	Lin	D8/74

D726,519	S *	4/2015	Huang	D8/74
D780,549	S *	3/2017	Zhang	D8/74
D808,238	S *	1/2018	Zhang	D8/74
D878,179	S *	3/2020	Zhang	D8/74
D887,807	S *	6/2020	Torkilsen	D8/74
D921,467	S *	6/2021	Fiegener	D8/74

* cited by examiner

Primary Examiner — David G Muller

(74) *Attorney, Agent, or Firm* — Michael M. Ahmadshahi

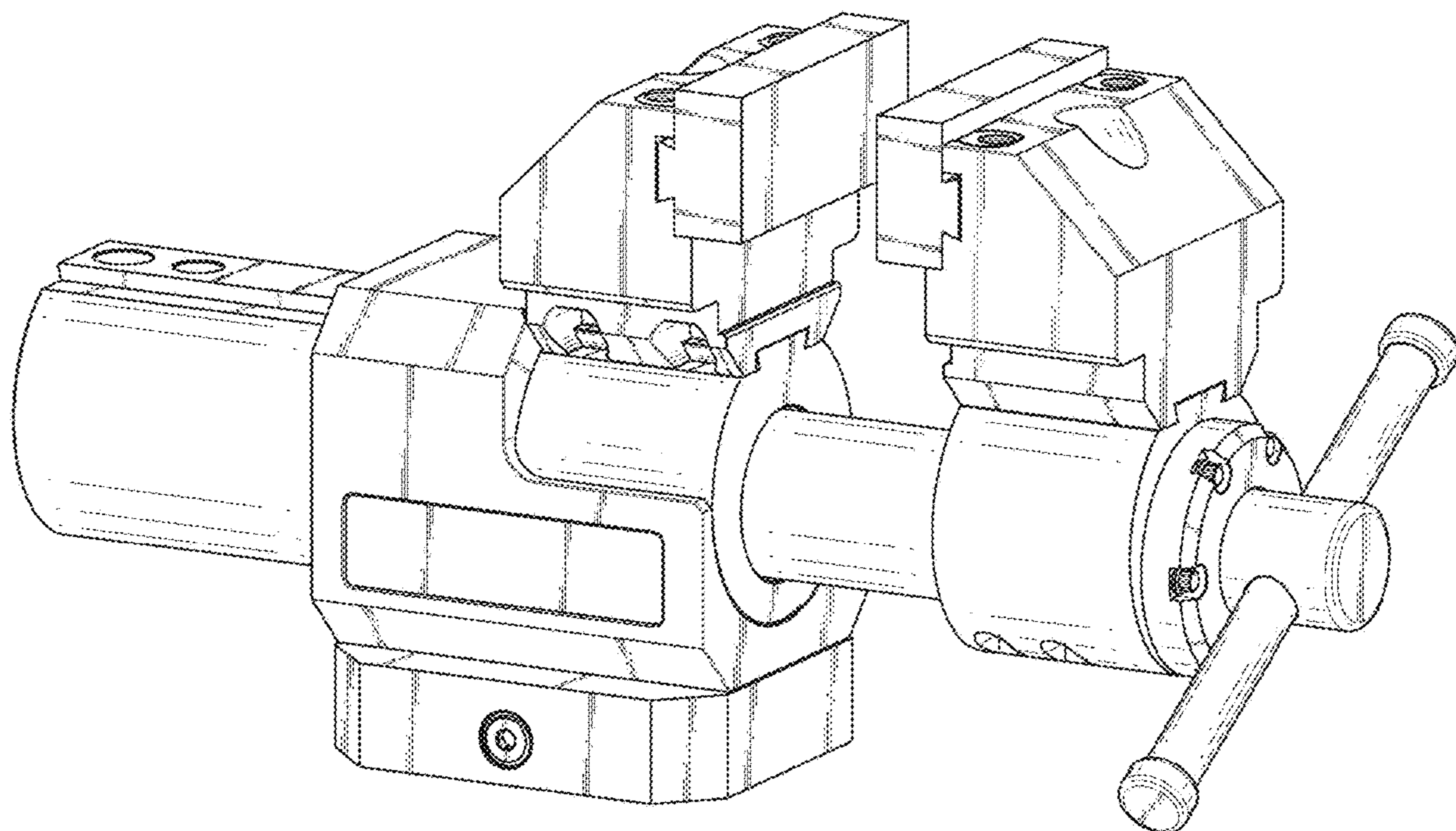
(57) **CLAIM**

The ornamental design for a precision bench vise, as shown and described.

DESCRIPTION

FIG. 1 is a front view of a precision bench vise according to the present invention.
 FIG. 2 is a rear view thereof;
 FIG. 3 is a top view thereof;
 FIG. 4 is a bottom view thereof;
 FIG. 5 is a first side view thereof;
 FIG. 6 is a second side view thereof;
 FIG. 7 is a first isometric view thereof;
 FIG. 8 is a second isometric view thereof;
 FIG. 9 is a third isometric view thereof where the adjustable handle bar is moved to one side; and,
 FIG. 10 is the isometric view of the precision bench vise shown in FIG. 9 where the adjustable handle bar is moved to the other side.
 The broken lines in the drawings illustrate the portions of the precision bench vise that form no part of the claim.

1 Claim, 10 Drawing Sheets



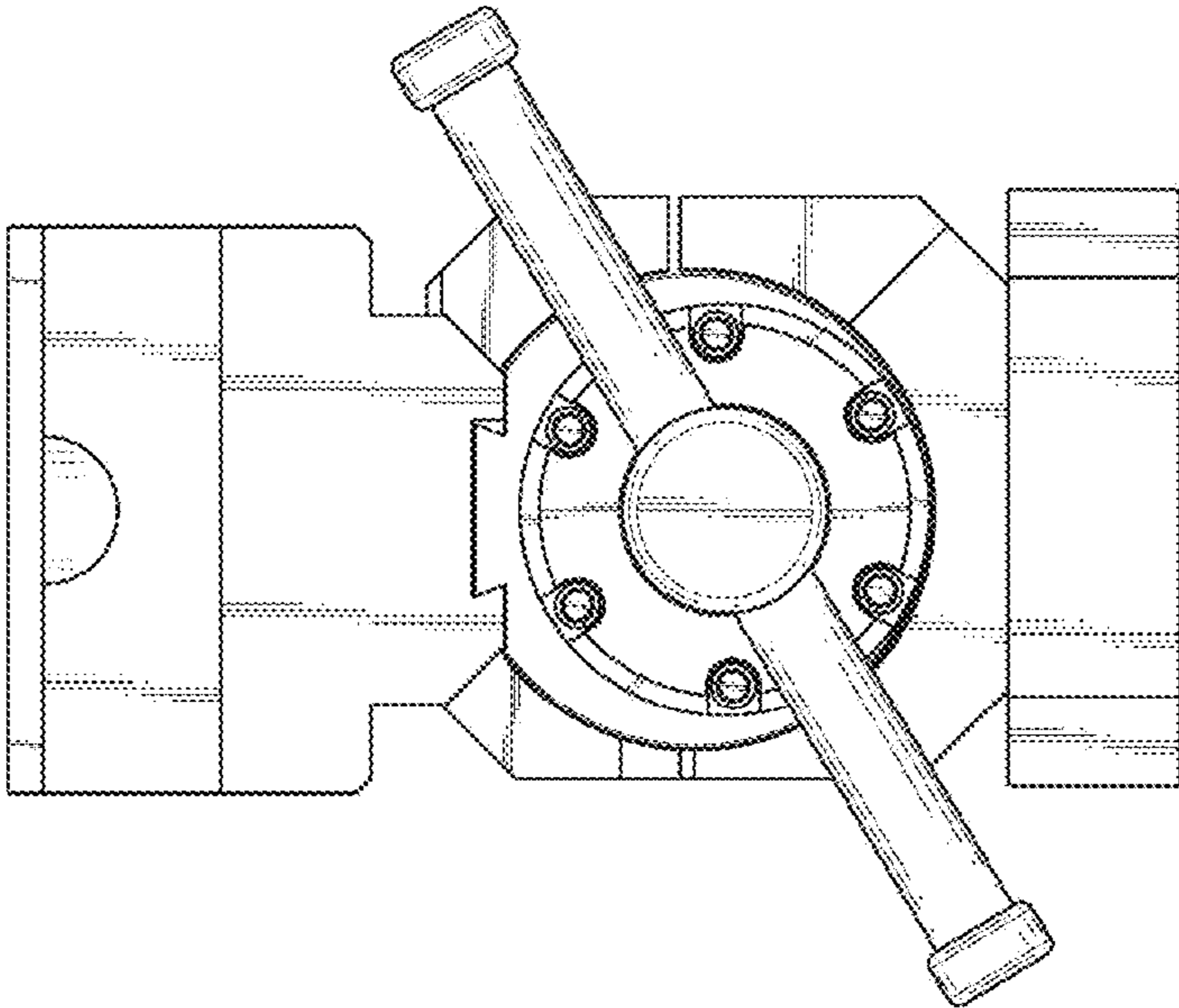


FIG. 1

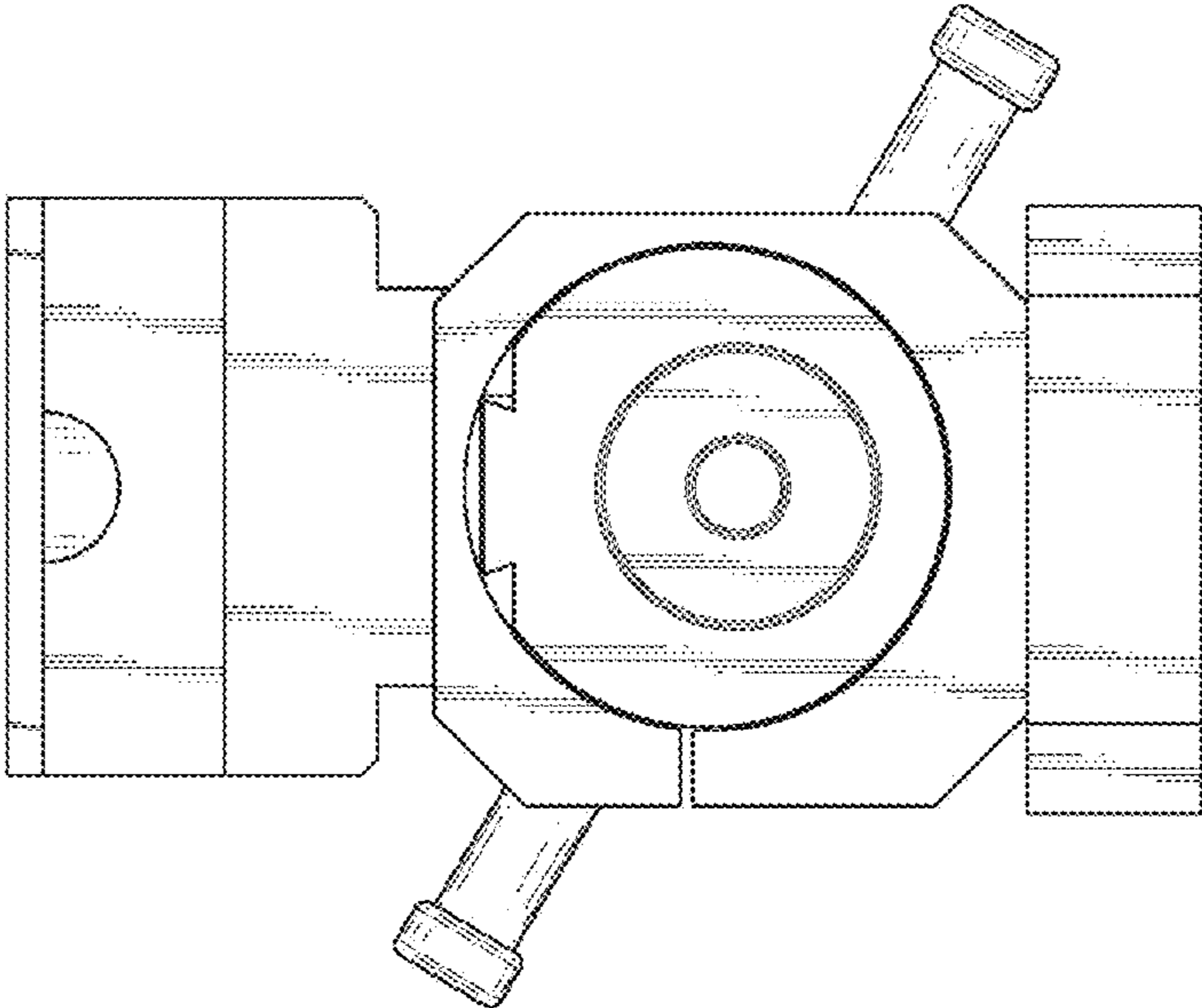


FIG. 2

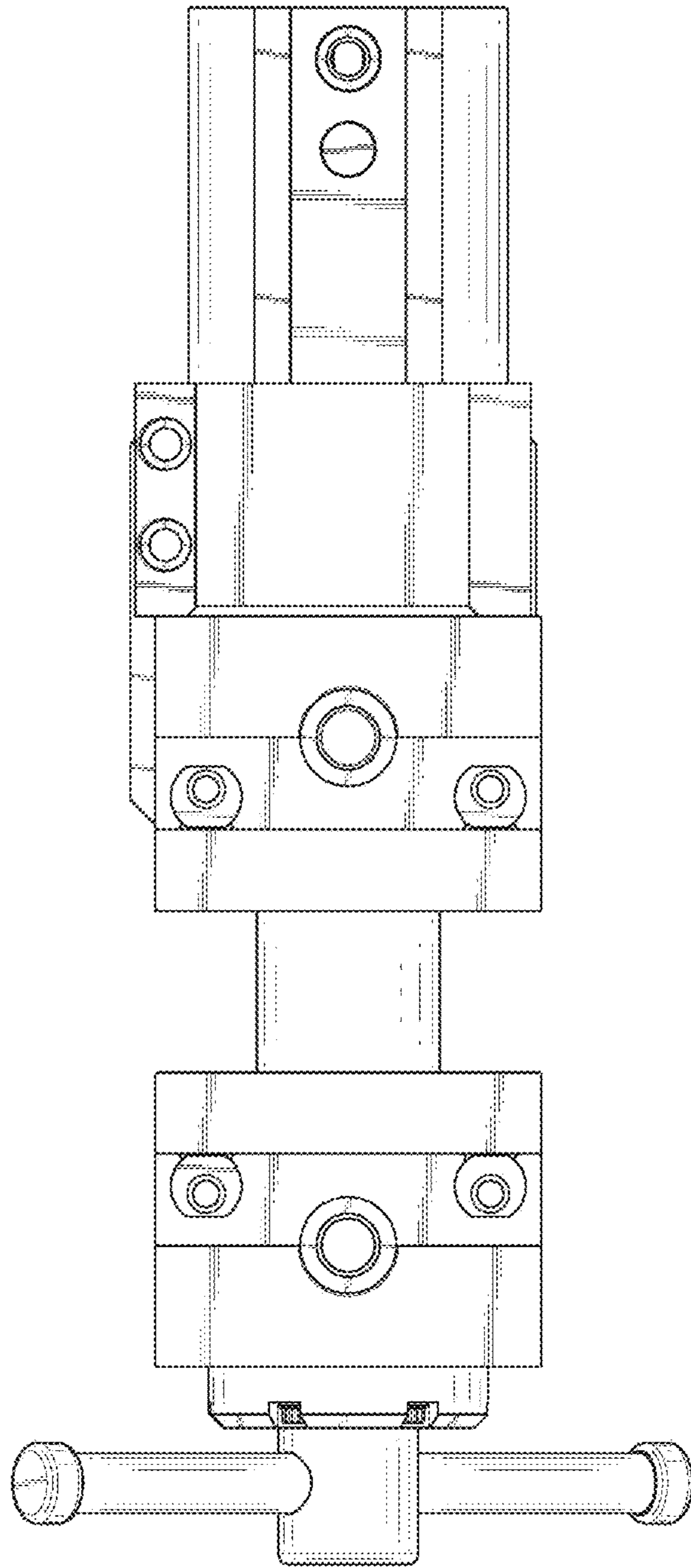


FIG. 3

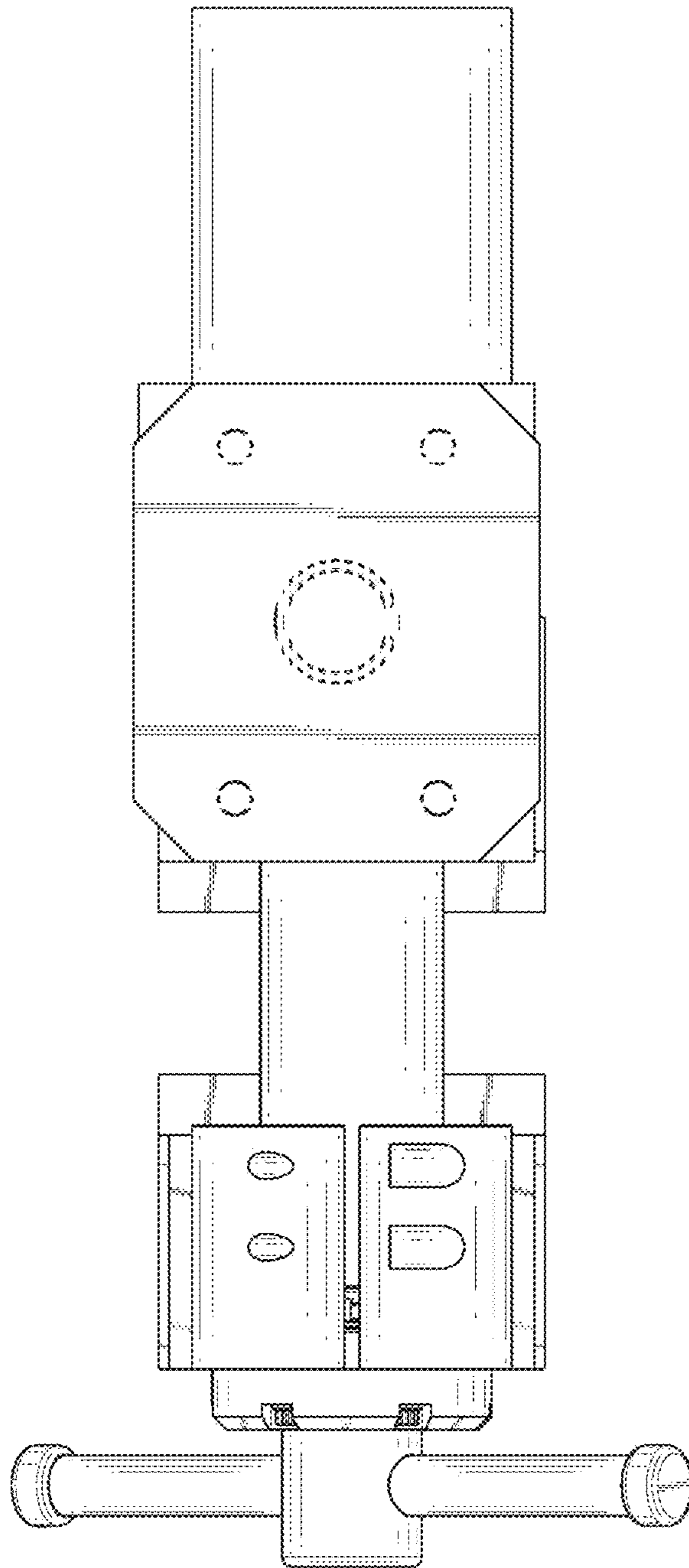


FIG. 4

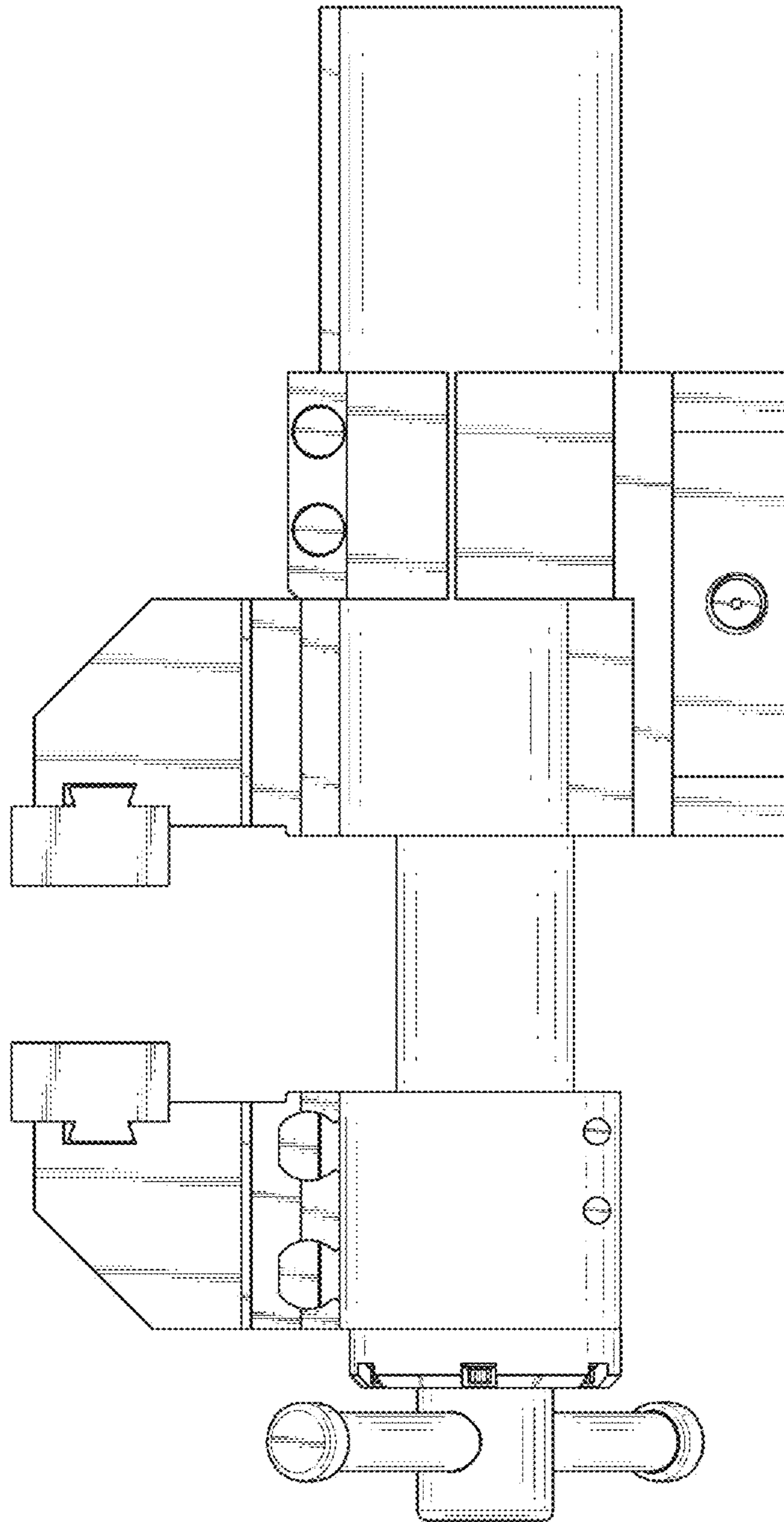


FIG. 5

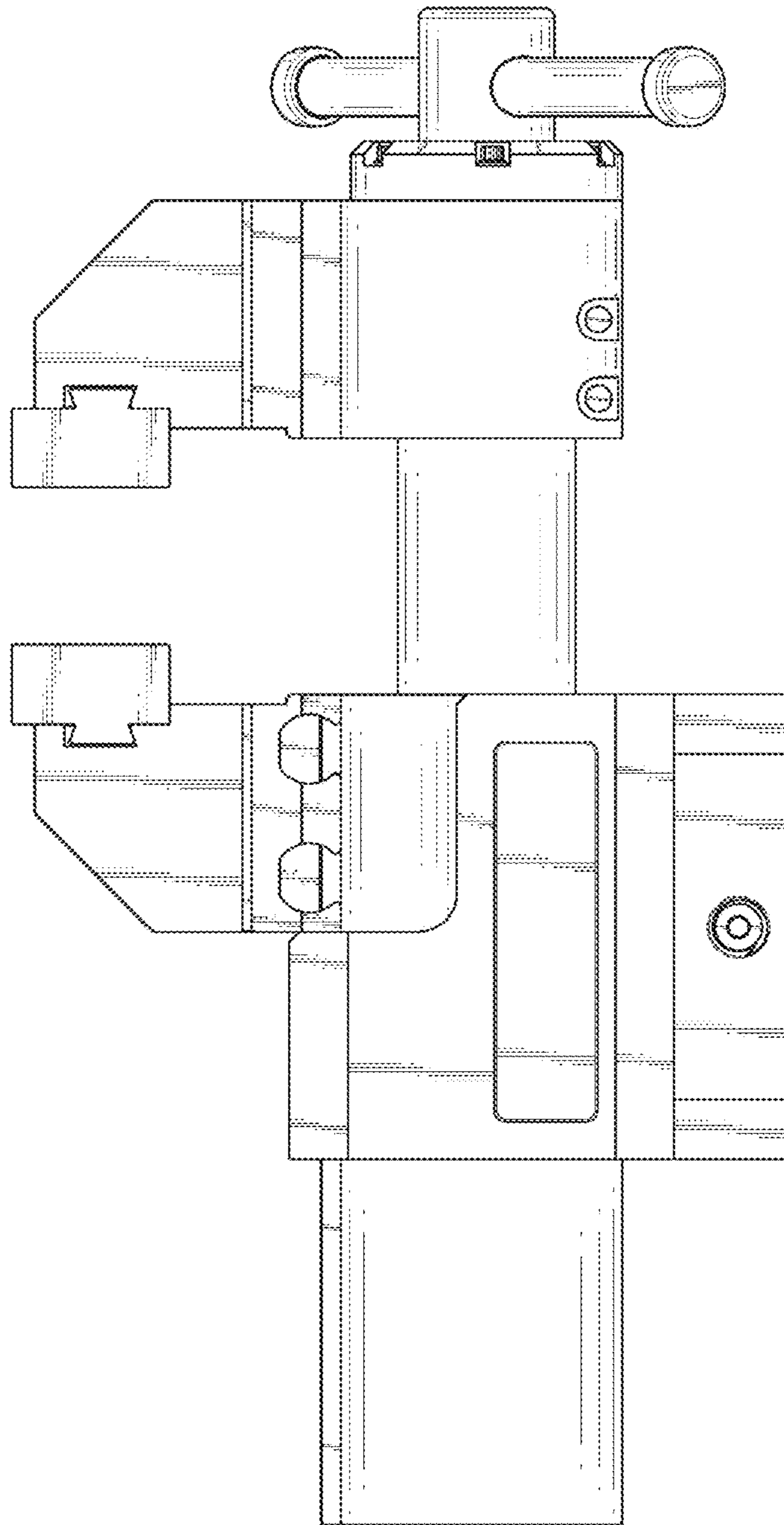


FIG. 6

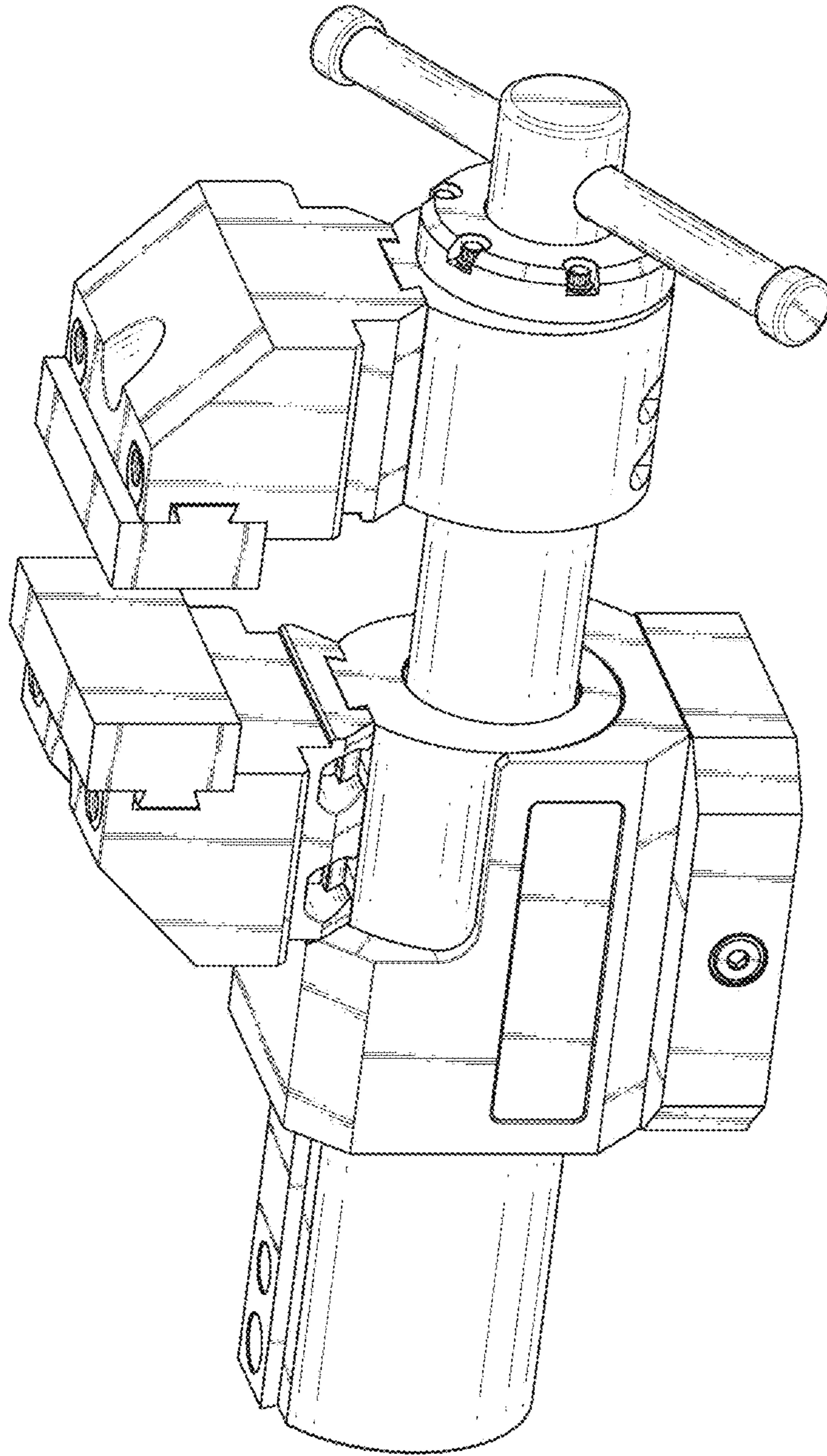


FIG. 7

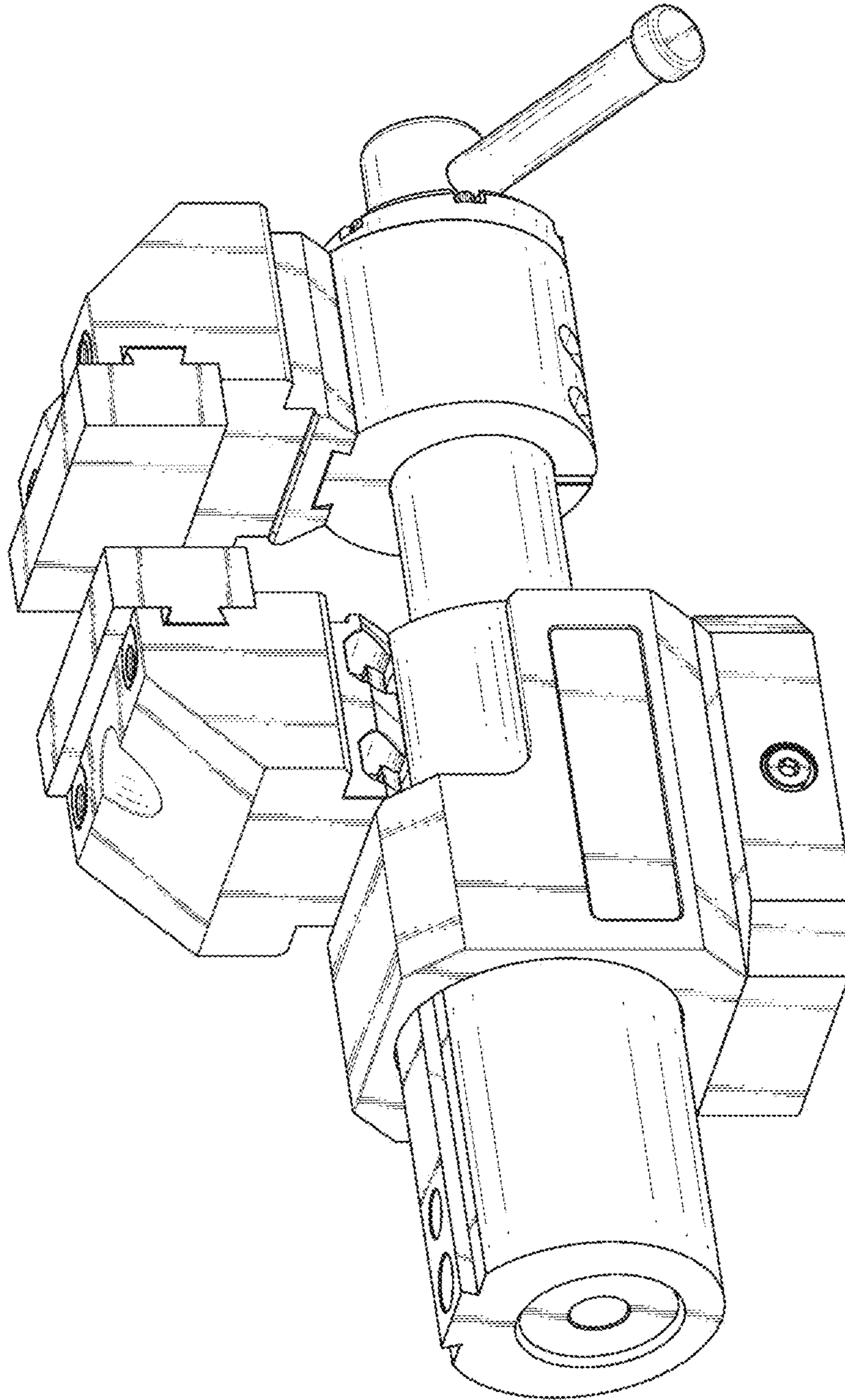


FIG. 8

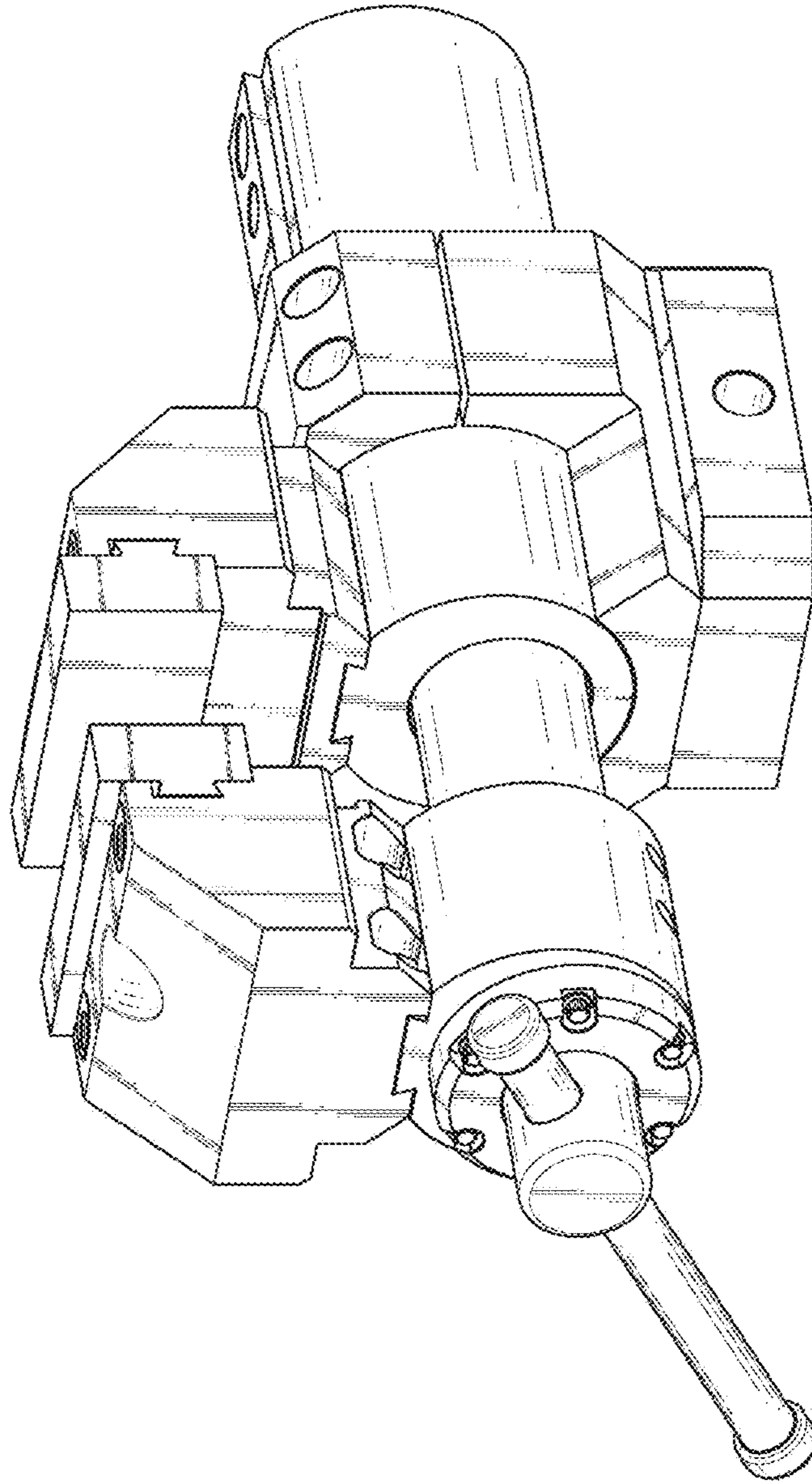


FIG. 9

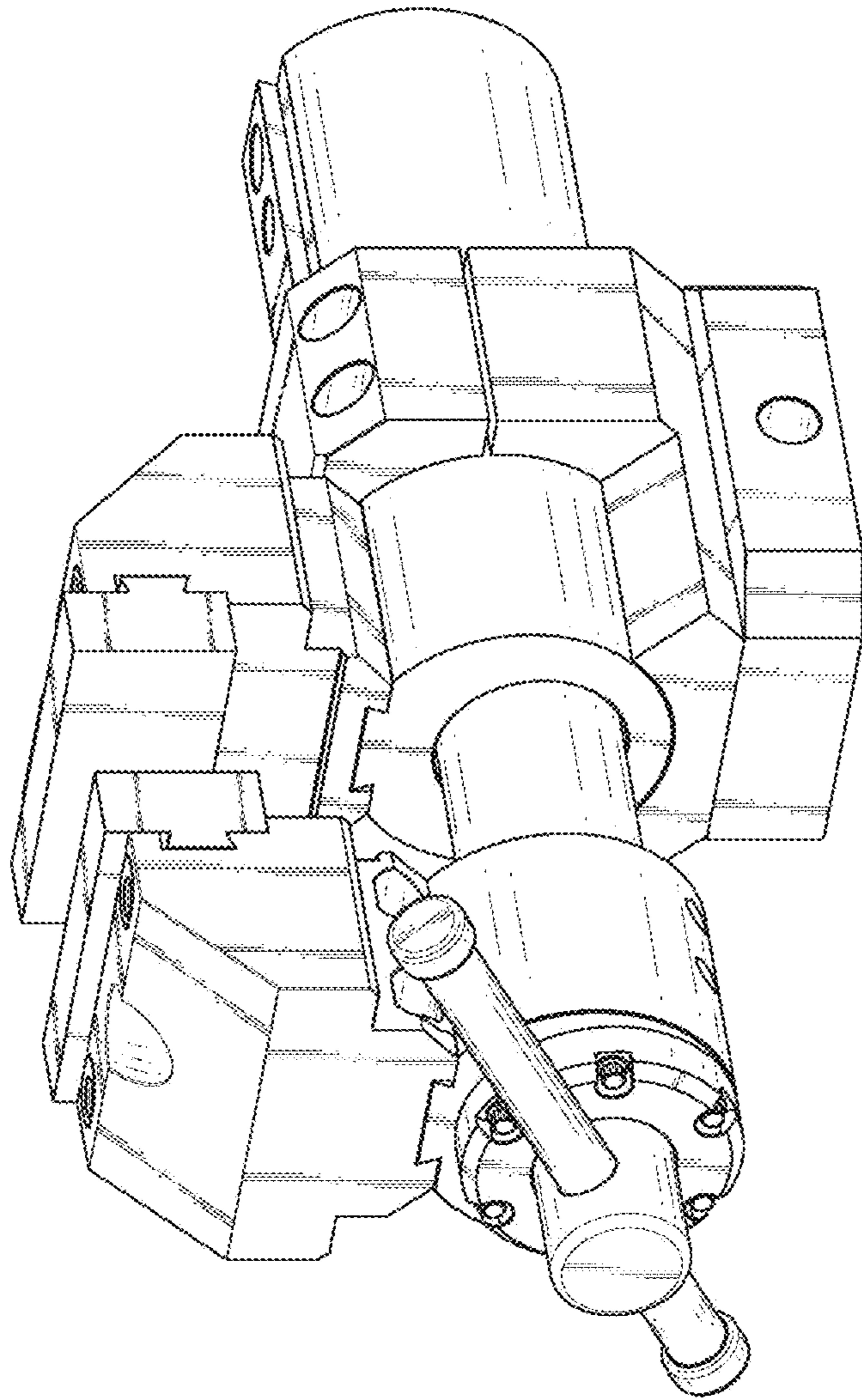


FIG. 10