



US00D948981S

(12) **United States Design Patent** (10) **Patent No.:** **US D948,981 S**
Van Hulst et al. (45) **Date of Patent:** **** Apr. 19, 2022**

(54) **MODULAR ADJUSTABLE CLAMP**
(71) Applicant: **HellermannTyton Corporation**,
Milwaukee, WI (US)
(72) Inventors: **Kenneth J. Van Hulst**, Menomonee
Falls, WI (US); **Emanuel Ruelas
Cabrera**, Corregidora (MX); **Scott J.
Adams**, Menomonee Falls, WI (US);
Eric J. Haftarski, Big Bend, WI (US)
(73) Assignee: **HellermannTyton Corporation**,
Milwaukee, WI (US)

D640,536 S 6/2011 Larsen et al.
D675,512 S 2/2013 Gary et al.
D749,835 S * 2/2016 Whitaker D3/10
D750,476 S 3/2016 Huang
D784,799 S * 4/2017 Toll D8/396
D789,779 S 6/2017 Asai
D836,185 S 12/2018 Lippka
D850,247 S 6/2019 Sillitoe et al.
D859,970 S 9/2019 Tenander et al.
D861,472 S 10/2019 Sillitoe et al.
D863,052 S 10/2019 Bancroft et al.
D909,843 S * 2/2021 Van Hulst D8/72
D909,844 S * 2/2021 Van Hulst D8/72
2008/0179469 A1* 7/2008 Leone F16L 3/10
248/56

(Continued)

(**) Term: **15 Years**

(21) Appl. No.: **29/763,673**

(22) Filed: **Dec. 23, 2020**

Related U.S. Application Data

(63) Continuation of application No. 29/667,410, filed on
Oct. 22, 2018, now Pat. No. Des. 909,843.

(51) **LOC (13) Cl.** **08-05**

(52) **U.S. Cl.**
USPC **D8/72**

(58) **Field of Classification Search**
USPC D8/71-74, 394-399, 59; 248/63, 72,
248/74.1, 689, 124.2; 81/487, 385, 386,
81/388-390; 269/3, 4, 6, 143, 165, 240,
269/243, 246-249, 254 R, 147-149;
29/256, 257, 276; 408/103, 104-109
CPC B25B 1/00; B25B 5/00
See application file for complete search history.

(56) **References Cited**

U.S. PATENT DOCUMENTS

D323,106 S 1/1992 Daigle et al.
D417,837 S 12/1999 Nakamura
D537,334 S 2/2007 Lee
D580,748 S 11/2008 Polak et al.

OTHER PUBLICATIONS

“Notice of Allowability”, U.S. Appl. No. 29/667,410, filed Jan. 8,
2021, 2 pages.

(Continued)

Primary Examiner — David G Muller

(74) *Attorney, Agent, or Firm* — Colby Nipper PLLC

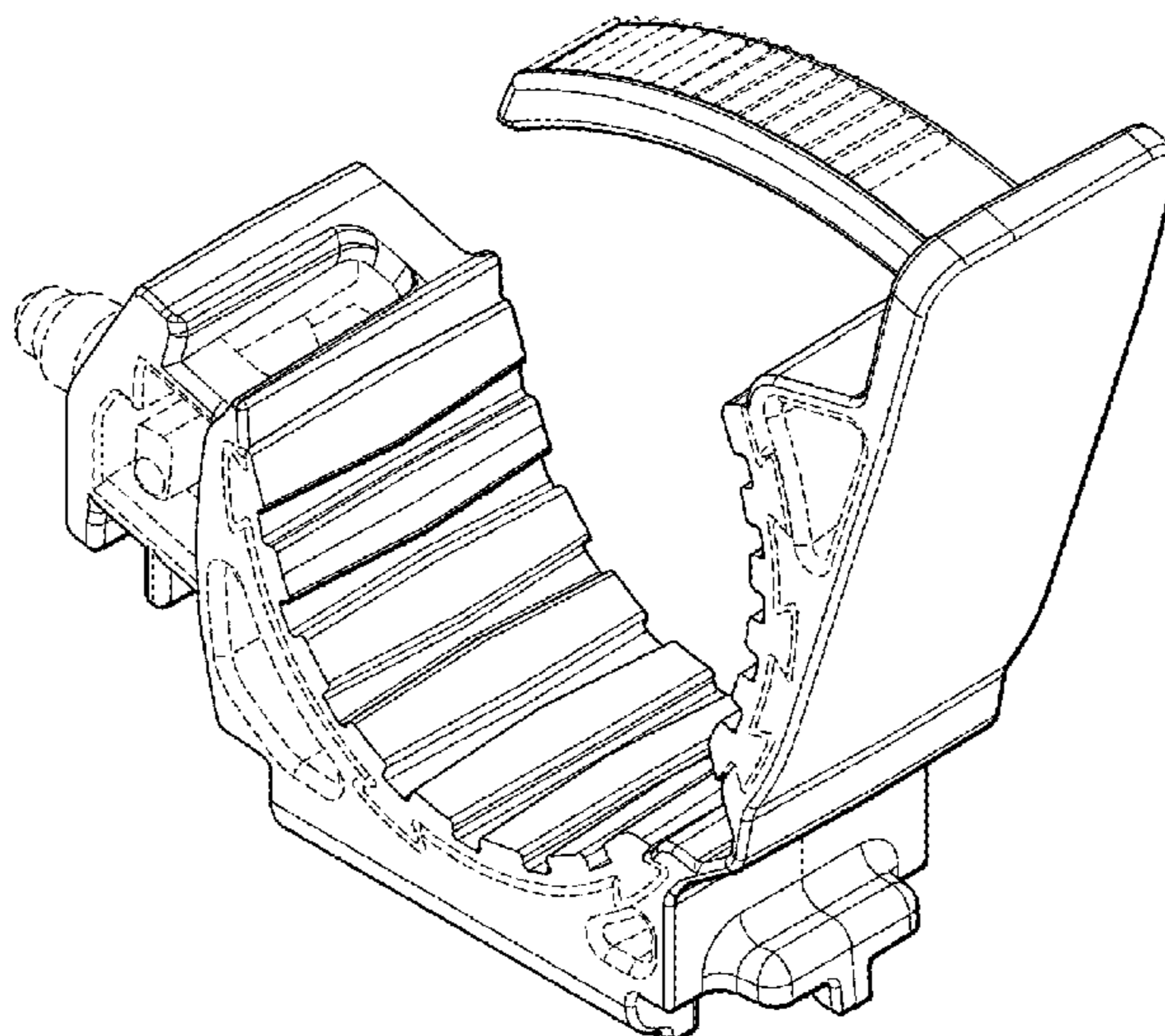
(57) **CLAIM**

We claim the ornamental design for a modular adjustable
clamp, as shown and described.

DESCRIPTION

FIG. 1 is a front perspective view of the modular adjustable
clamp;
FIG. 2 is a back perspective view thereof;
FIG. 3 is a top view thereof;
FIG. 4 is a front elevation view thereof;
FIG. 5 is a left side elevation view thereof;
FIG. 6 is a rear elevation view thereof;
FIG. 7 is a right side elevation view thereof; and,
FIG. 8 is a bottom view thereof.
The broken lines that illustrate portions of the modular
adjustable clamp form no part of the claimed design.

1 Claim, 3 Drawing Sheets



(56)

References Cited

U.S. PATENT DOCUMENTS

2010/0148015	A1 *	6/2010	Matsuno	F16L 3/1075 248/65
2010/0327576	A1 *	12/2010	Linhorst	F16L 25/12 285/38
2012/0227221	A1 *	9/2012	Whitaker	F16B 2/10 24/459
2013/0193289	A1 *	8/2013	Goffman	B62J 11/00 248/231.51
2016/0186902	A1 *	6/2016	Lee	F16L 21/06 285/420
2016/0278589	A1 *	9/2016	Reed	F16M 13/02
2017/0227141	A1 *	8/2017	Toll	F16L 3/23
2018/0072248	A1 *	3/2018	Ohashi	B60R 16/0215

OTHER PUBLICATIONS

“Notice of Allowability”, U.S. Appl. No. 29/667,422, filed Jan. 8, 2021, 2 pages.

“Final Office Action”, U.S. Appl. No. 29/667,422, filed Jun. 10, 2020, 10 pages.

“Final Office Action”, U.S. Appl. No. 29/667,410, filed Jun. 10, 2020, 8 pages.

“Non-Final Office Action”, U.S. Appl. No. 29/667,422, filed Nov. 27, 2019, 10 pages.

“Non-Final Office Action”, U.S. Appl. No. 29/667,410, filed Nov. 27, 2019, 11 pages.

“Notice of Allowance”, U.S. Appl. No. 29/667,410, filed Sep. 30, 2020, 5 pages.

“Notice of Allowance”, U.S. Appl. No. 29/667,422, filed Sep. 30, 2020, 5 pages.

“Non-Final Office Action”, U.S. Appl. No. 29/763,681, filed Aug. 4, 2021, 9 pages.

“Notice of Allowance”, U.S. Appl. No. 29/763,681, filed Dec. 8, 2021, 5 pages.

* cited by examiner

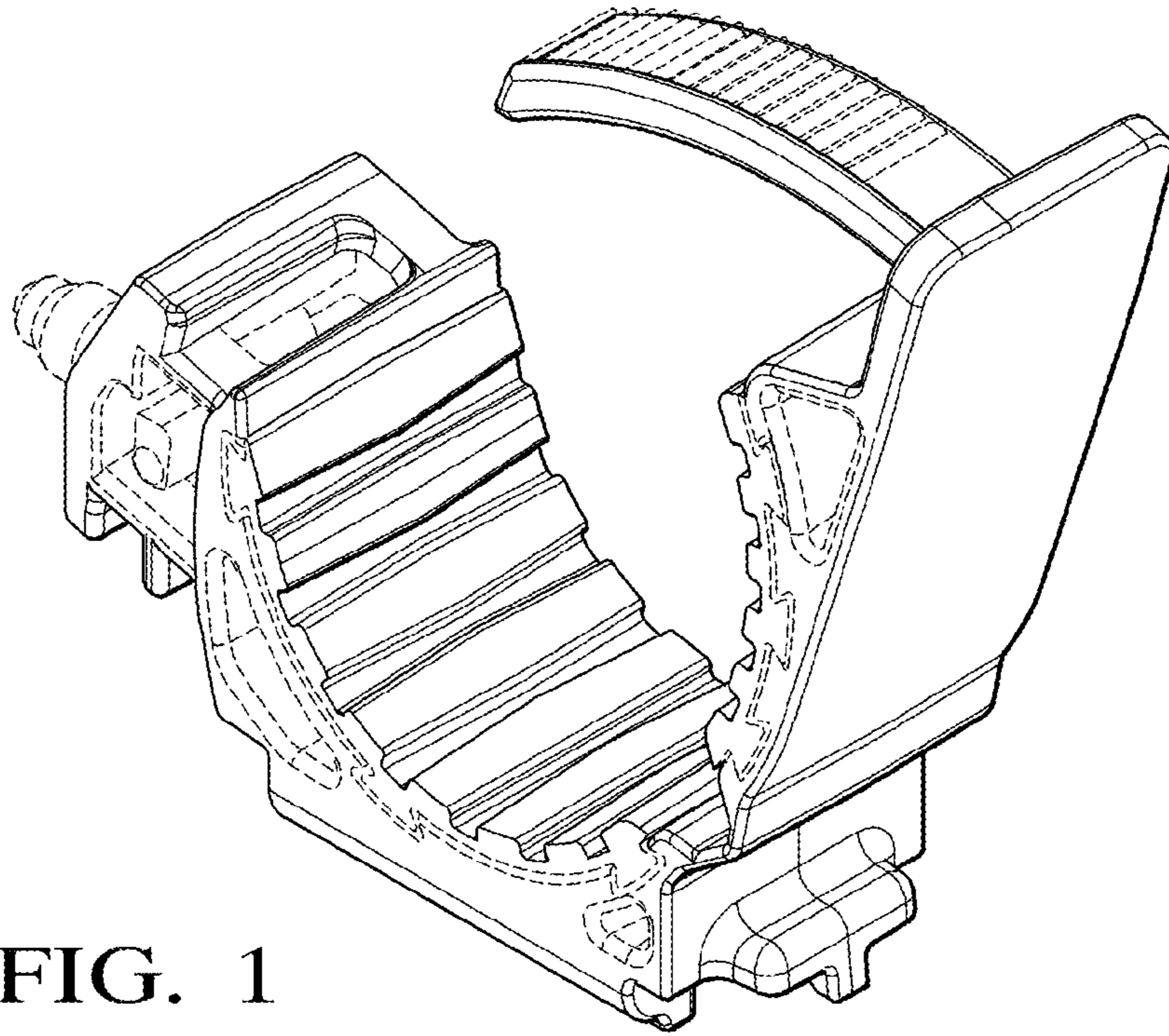


FIG. 1

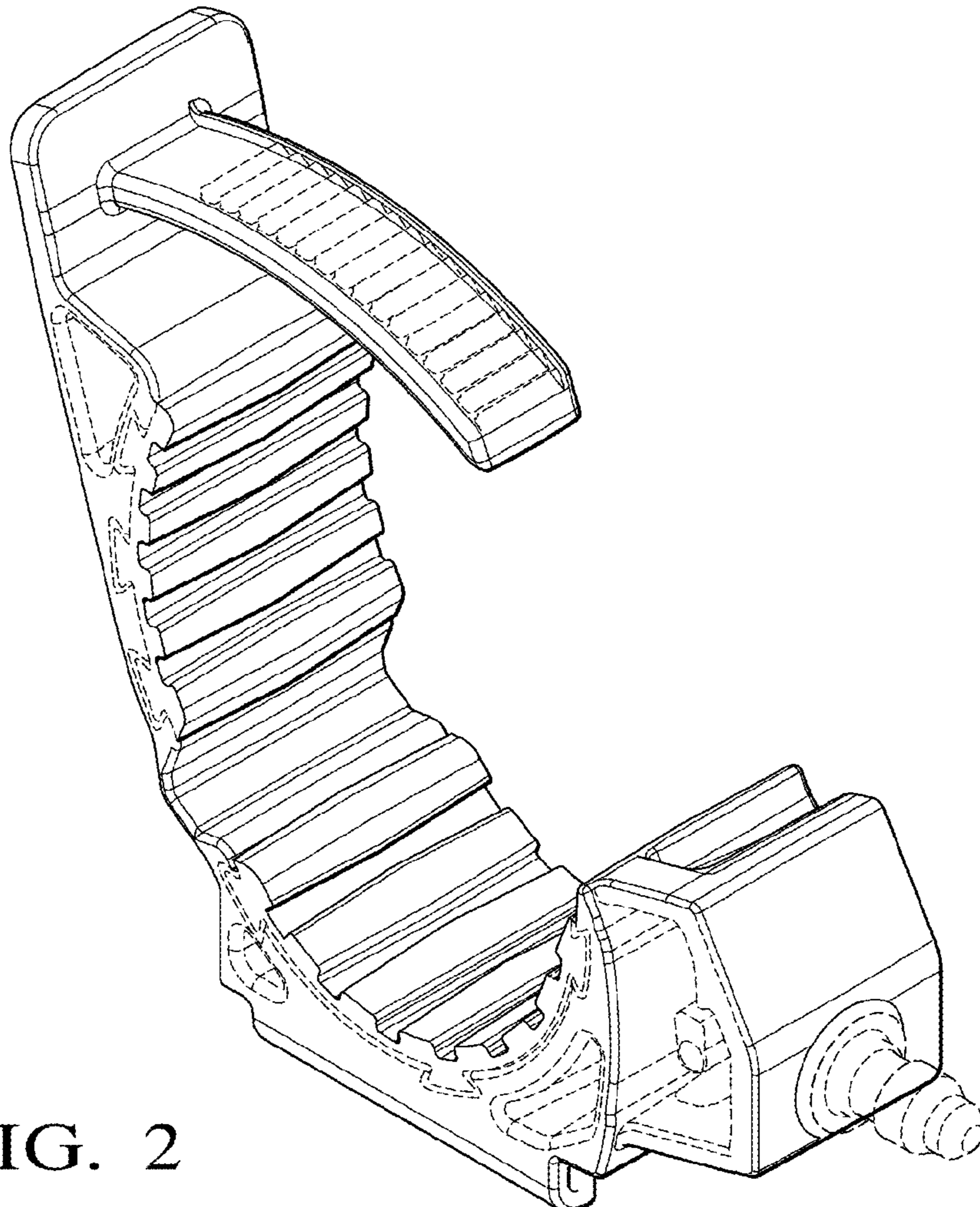


FIG. 2

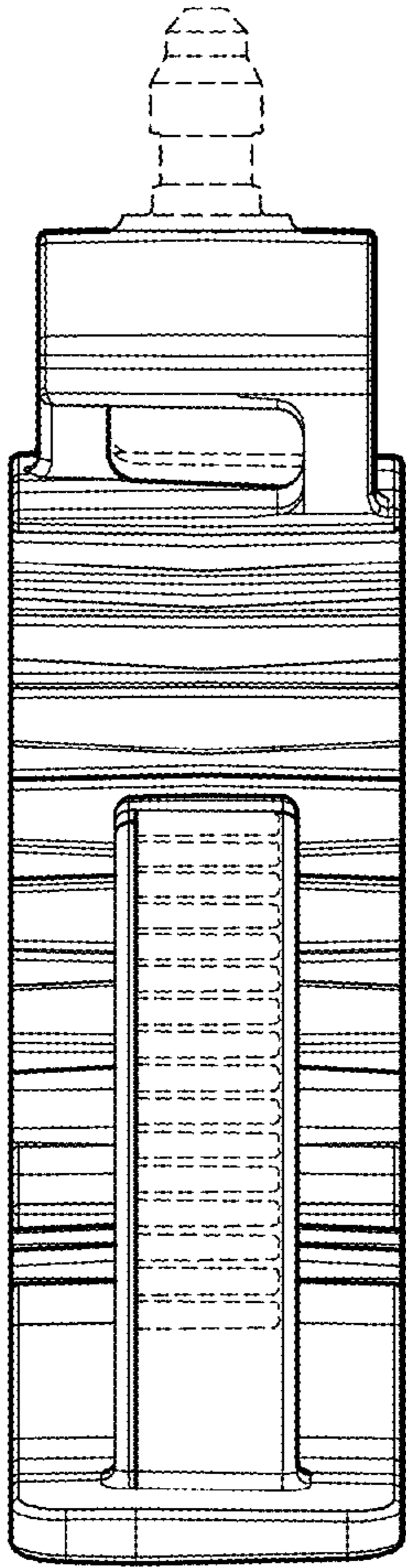


FIG. 3

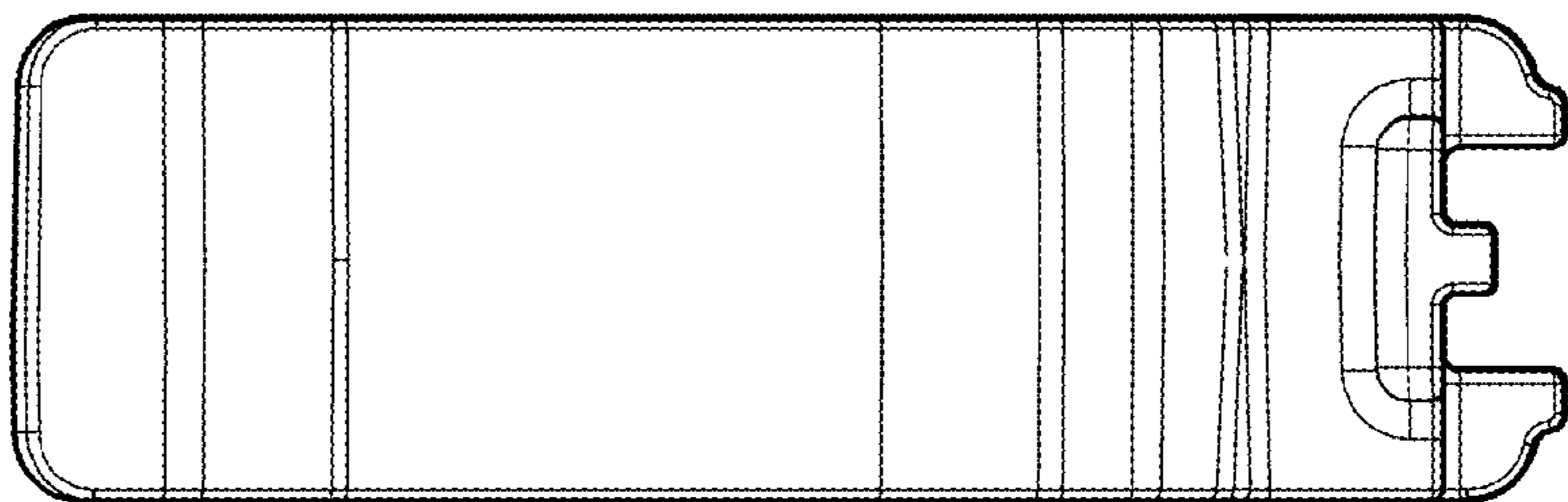


FIG. 4

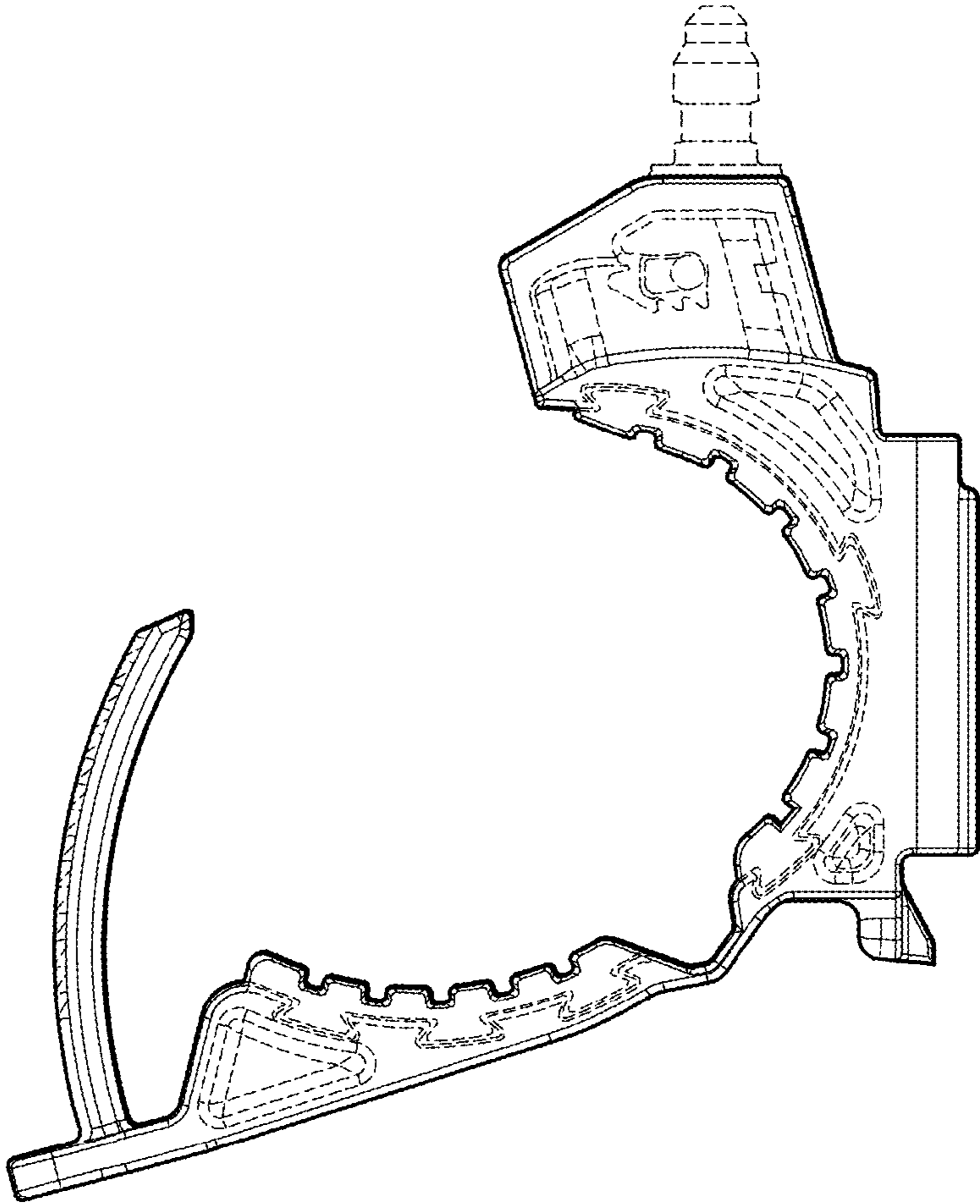


FIG. 5

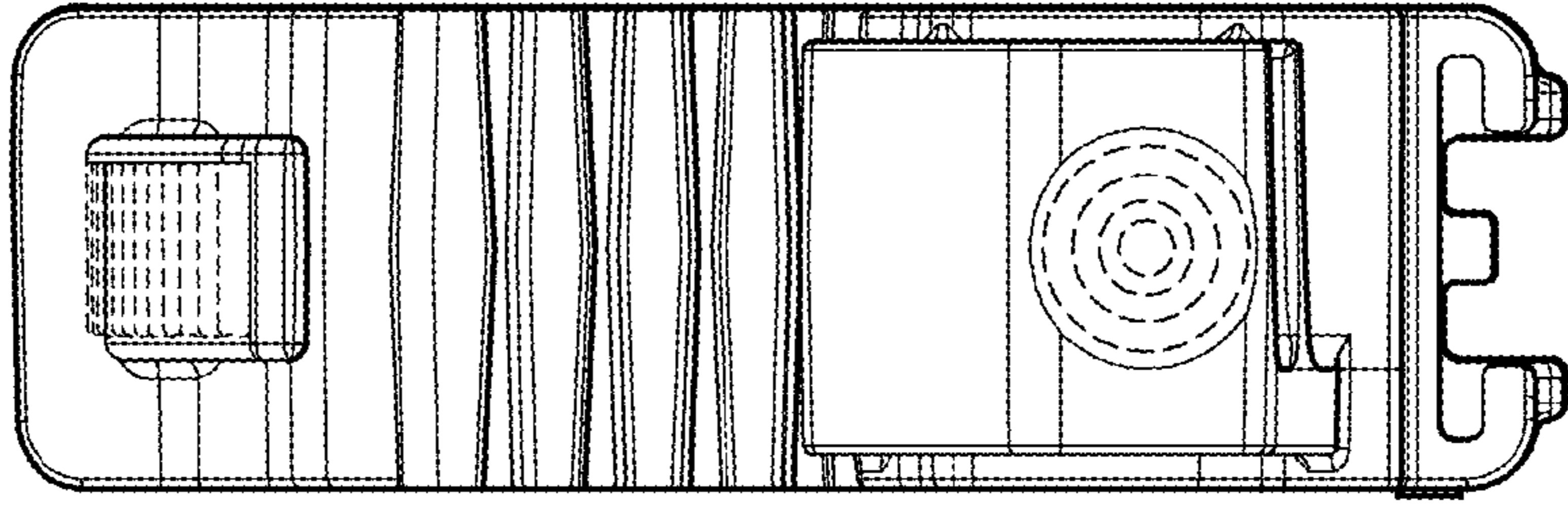


FIG. 6

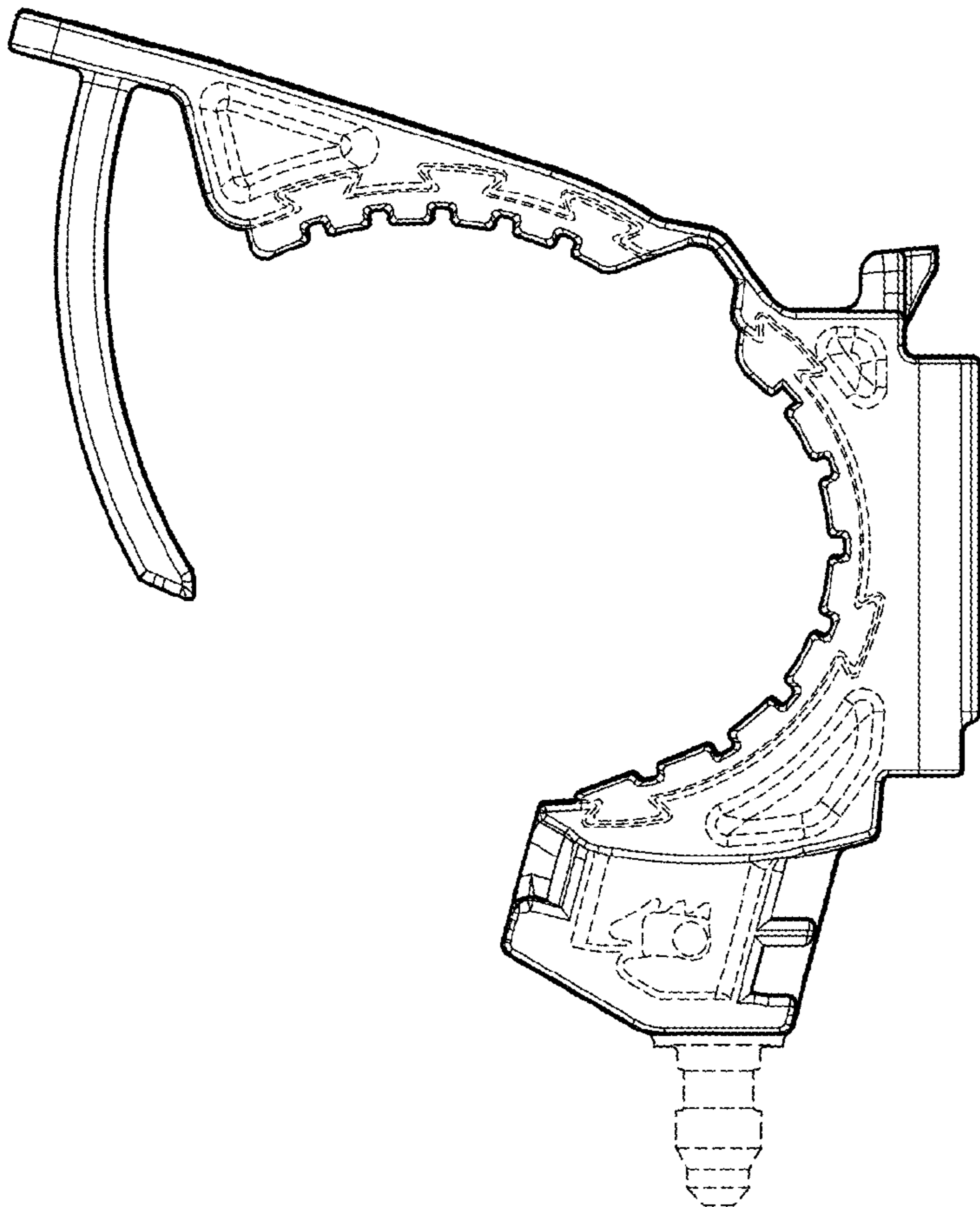


FIG. 7

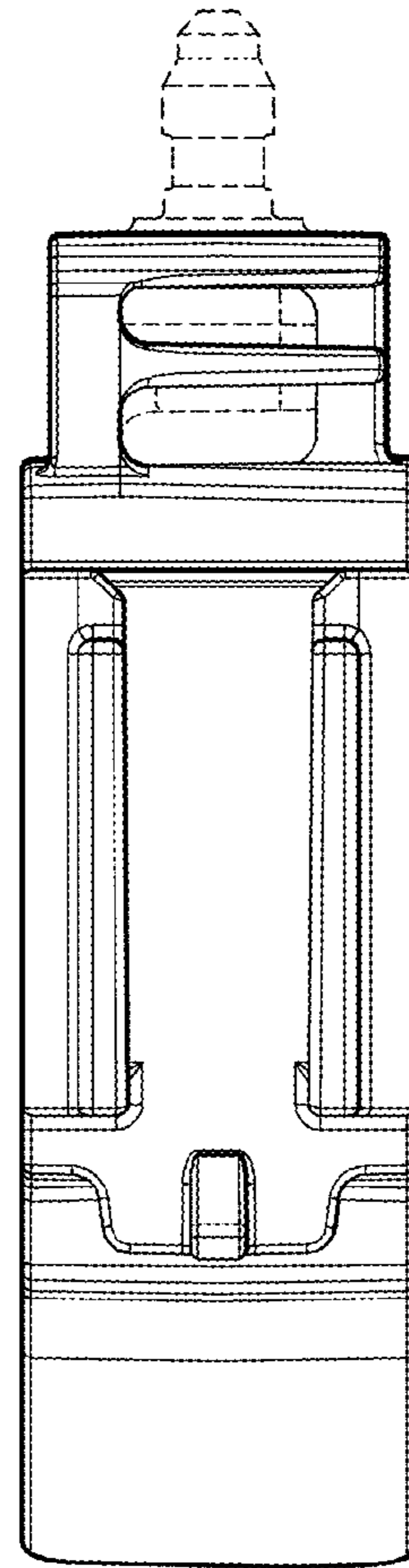


FIG. 8