



US00D948980S

(12) **United States Design Patent**  
**Turner**

(10) **Patent No.:** **US D948,980 S**

(45) **Date of Patent:** **\*\* Apr. 19, 2022**

(54) **WRENCH SUPPORT**

(71) Applicant: **George Allen Turner**, Fort Smith, AR  
(US)

(72) Inventor: **George Allen Turner**, Fort Smith, AR  
(US)

(\*\*) Term: **15 Years**

(21) Appl. No.: **29/743,794**

(22) Filed: **Jul. 24, 2020**

(51) **LOC (13) Cl.** ..... **08-05**

(52) **U.S. Cl.**  
USPC ..... **D8/72**

(58) **Field of Classification Search**  
USPC ..... D8/70-72, 371-377, 380-381, 394-398  
CPC ..... B25B 5/147; B25B 11/00; B25B 23/00  
See application file for complete search history.

(56) **References Cited**

**U.S. PATENT DOCUMENTS**

2,971,411	A *	2/1961	Dull	.....	B25B 11/00 248/163.1
D371,505	S *	7/1996	Young	.....	D8/349
5,791,213	A *	8/1998	Young	.....	B25B 23/00 269/203
D440,139	S *	4/2001	Michell	.....	D8/72
6,523,818	B1 *	2/2003	Le Vert	.....	B25B 5/147 211/13.1
D561,008	S *	2/2008	Jones	.....	D8/355
D677,140	S *	3/2013	Krohmer	.....	D8/72
D705,031	S *	5/2014	Zhang	.....	D8/74
D707,096	S *	6/2014	Zhang	.....	D8/74
D719,000	S *	12/2014	Palmer	.....	B62B 5/0083 D8/73
9,193,047	B1 *	11/2015	Hardy	.....	B25B 13/5025
D746,128	S *	12/2015	Stanton	.....	D8/380
9,327,387	B2 *	5/2016	Shah	.....	B25B 5/147
9,388,618	B2 *	7/2016	Hoffman	.....	E05F 3/04

D859,953	S *	9/2019	Pililaau	.....	D8/73
2006/0060037	A1 *	3/2006	Haggerty	.....	B25B 23/00 81/462
2006/0156873	A1 *	7/2006	Ruiz	.....	B25B 23/00 81/462

**OTHER PUBLICATIONS**

“Plumbers Pipe Wrench Handle Holder and Support”, Aug. 7, 2017, Amazon.ca, site visited Nov. 22, 2021: <https://www.amazon.ca/Plumbers-Wrench-Handle-Holder-Support/dp/B0747SXNRB> (Year: 2017).\*

(Continued)

*Primary Examiner* — Jack Reickel  
*Assistant Examiner* — Michael A Kervin  
(74) *Attorney, Agent, or Firm* — Keisling & Pieper PLC;  
Trent C. Keisling; David B. Pieper

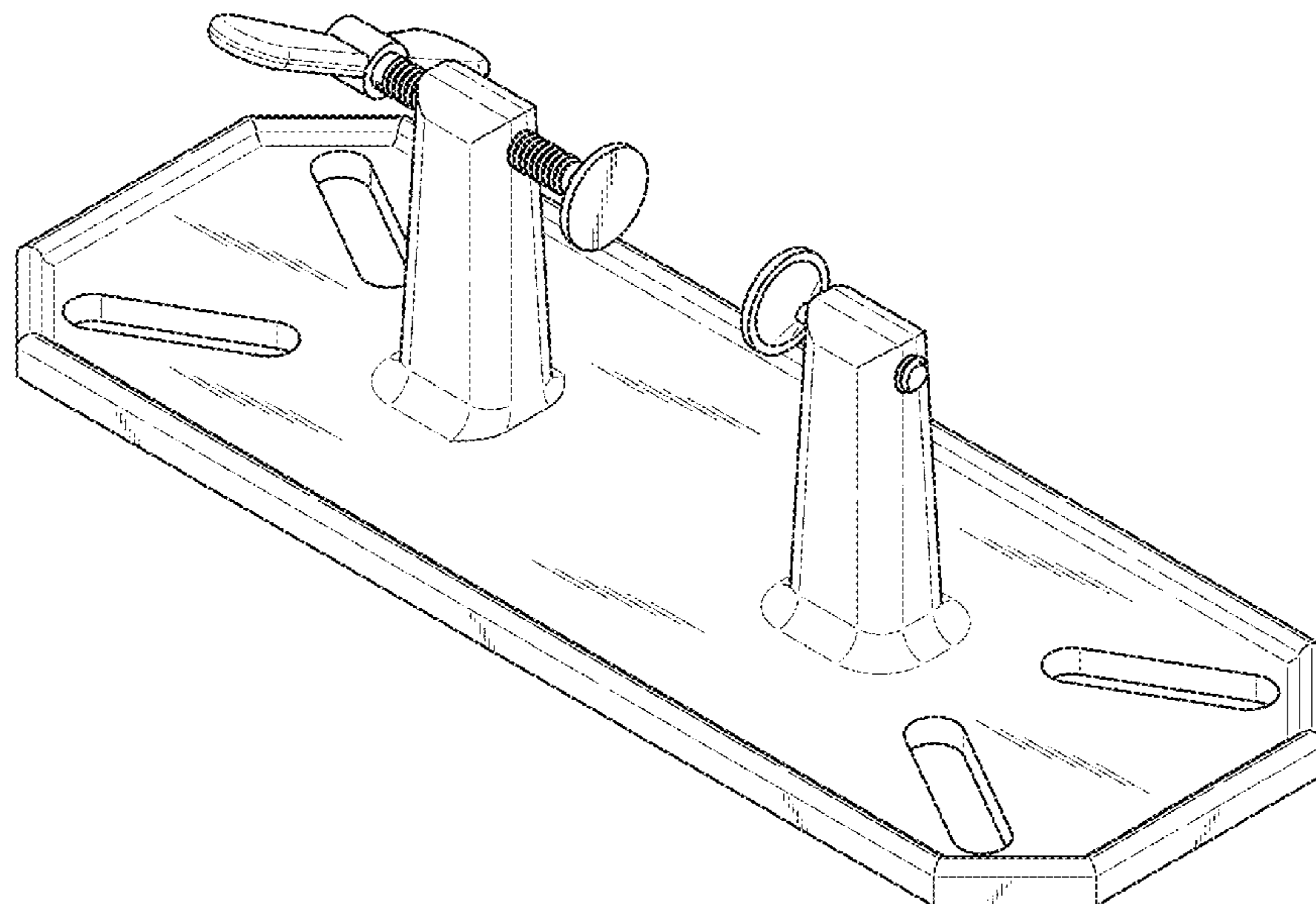
(57) **CLAIM**

The ornamental design for a wrench support, as shown and described.

**DESCRIPTION**

FIG. 1 is a front perspective view of a wrench support showing my new design;  
FIG. 2 is a rear perspective view thereof;  
FIG. 3 is a front elevational view thereof;  
FIG. 4 is a back elevational view thereof;  
FIG. 5 is a left side elevational view thereof;  
FIG. 6 is a right side elevational view thereof;  
FIG. 7 is a top plan view thereof;  
FIG. 8 is a bottom plan view thereof; and,  
FIG. 9 is a front perspective view thereof, shown with environment.  
The broken line showing of a wrench is for the purpose of illustrating environmental structure and forms no part of the claimed design.

**1 Claim, 6 Drawing Sheets**



(56)

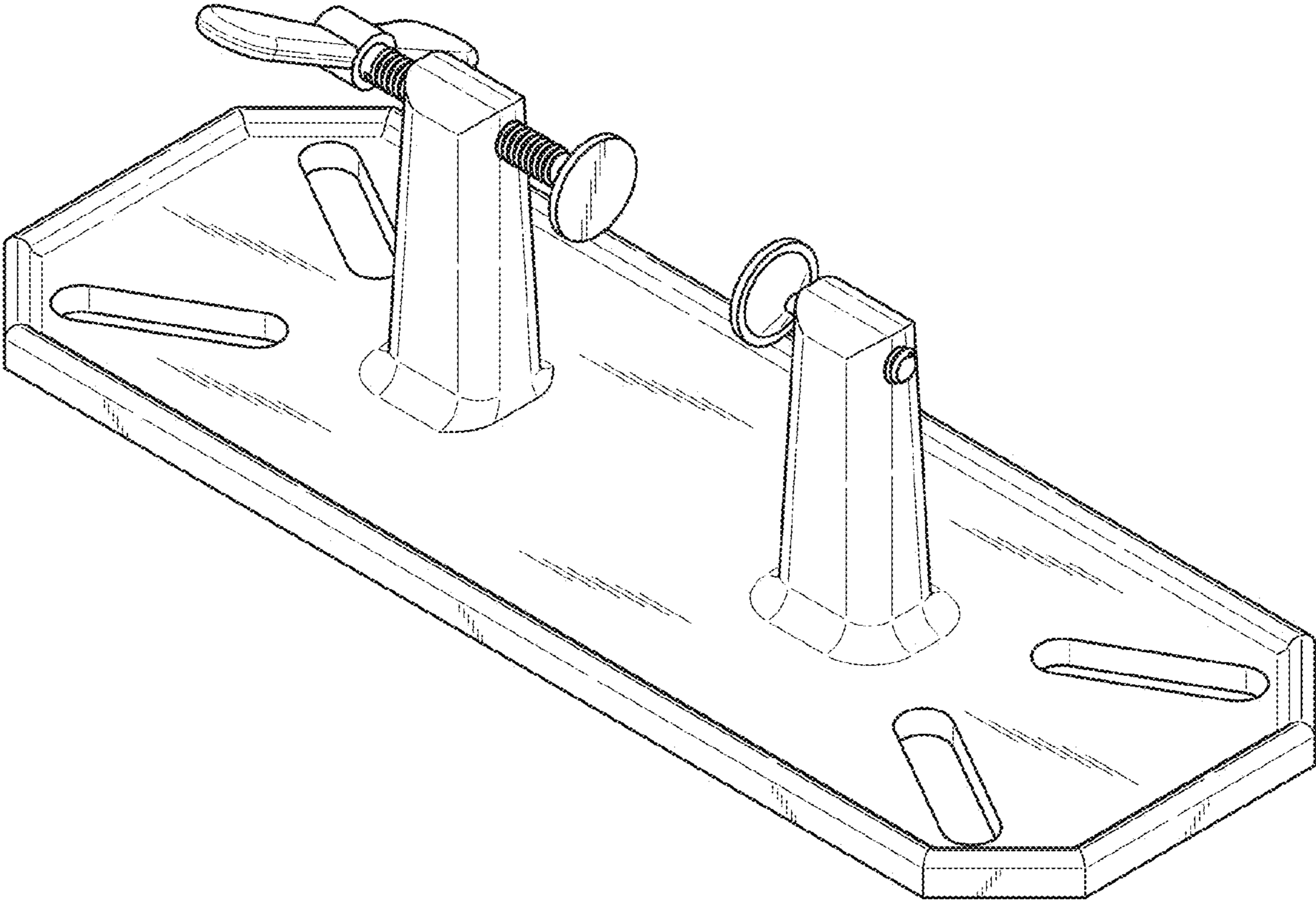
**References Cited**

OTHER PUBLICATIONS

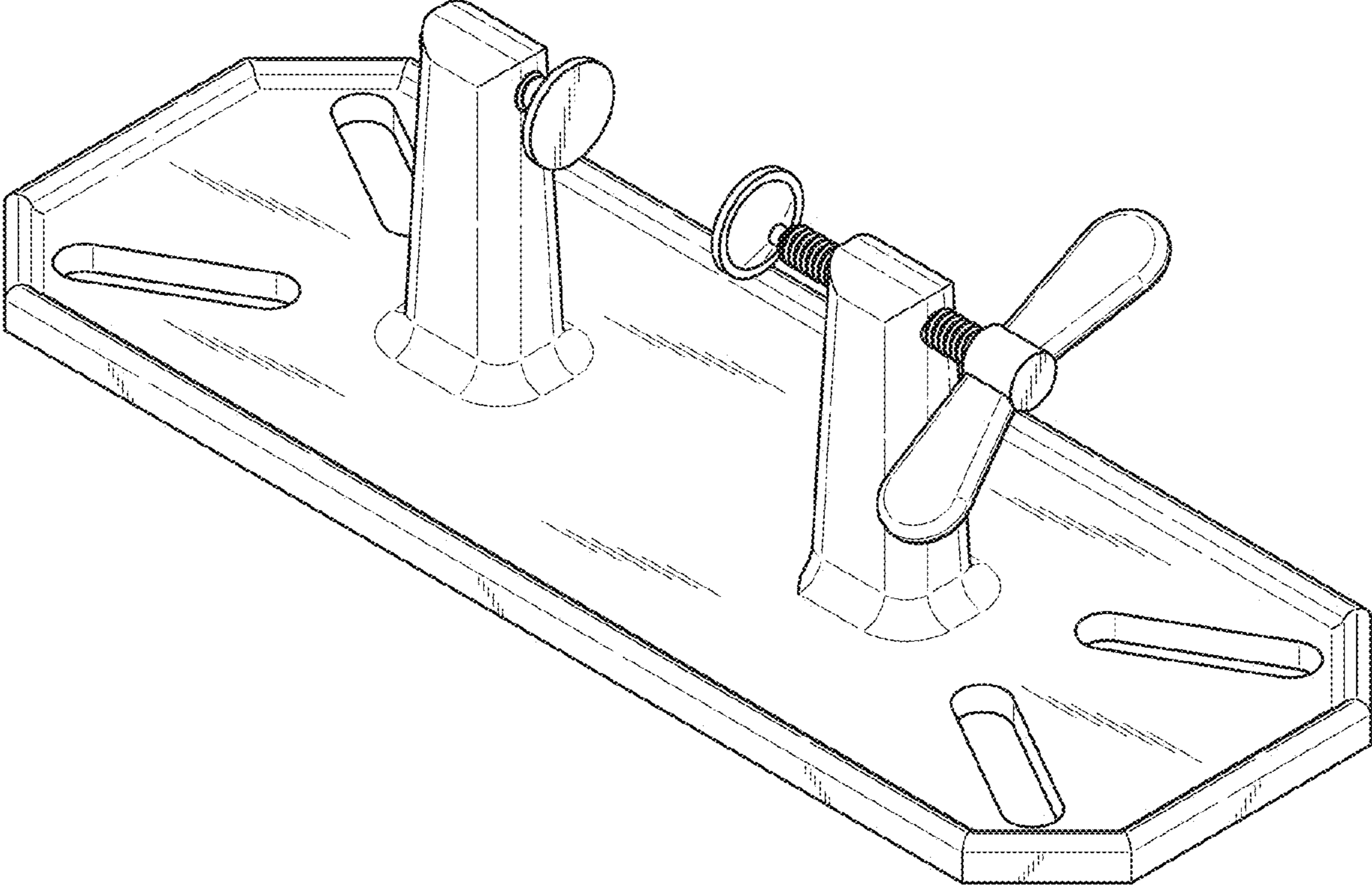
“Cool Tool Alert! The PortablePipe Vise”, Feb. 3, 2018, YouTube.com, site visited Nov. 22, 2021: <https://www.youtube.com/watch?v=eH7Xyvqf9OA&list=RDCMUCpDI4WPpgvvOeZFpw4ewycA&index=2> (Year: 2018).\*

“Wrench Master Pipe Wrench Support Stand”, Jul. 9, 2018, upcitemdb.com, site visited Nov. 22, 2021: <https://upcitemdb.com/upc/758635074100> (Year: 2018).\*

\* cited by examiner



*FIG. 1*



*FIG. 2*



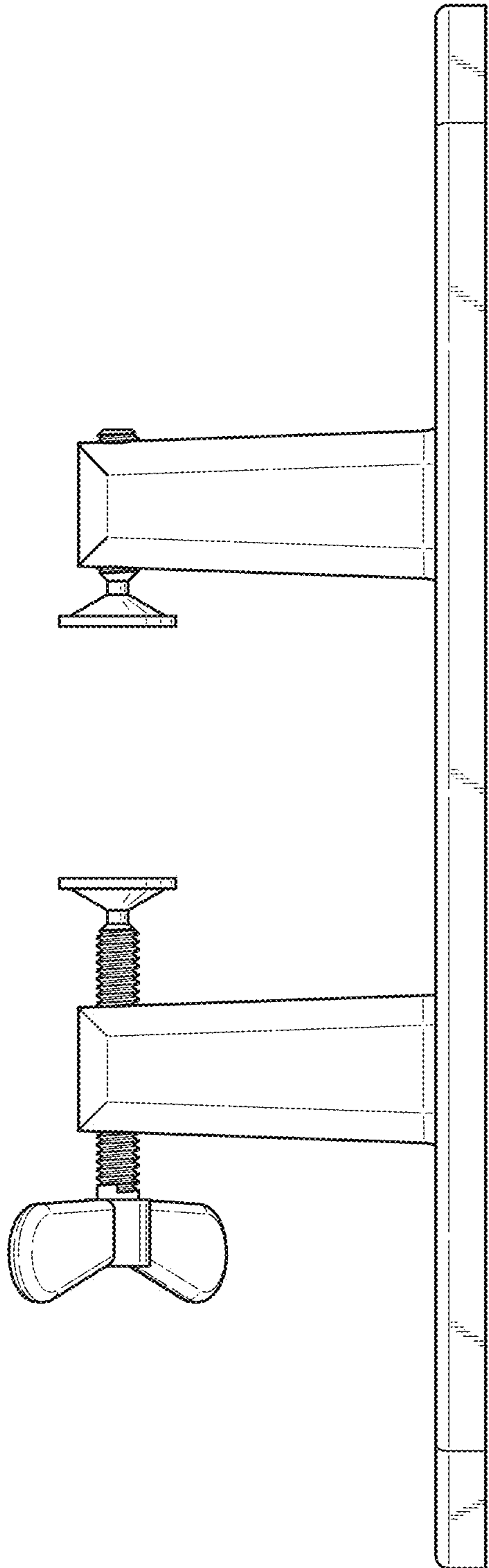


FIG. 3

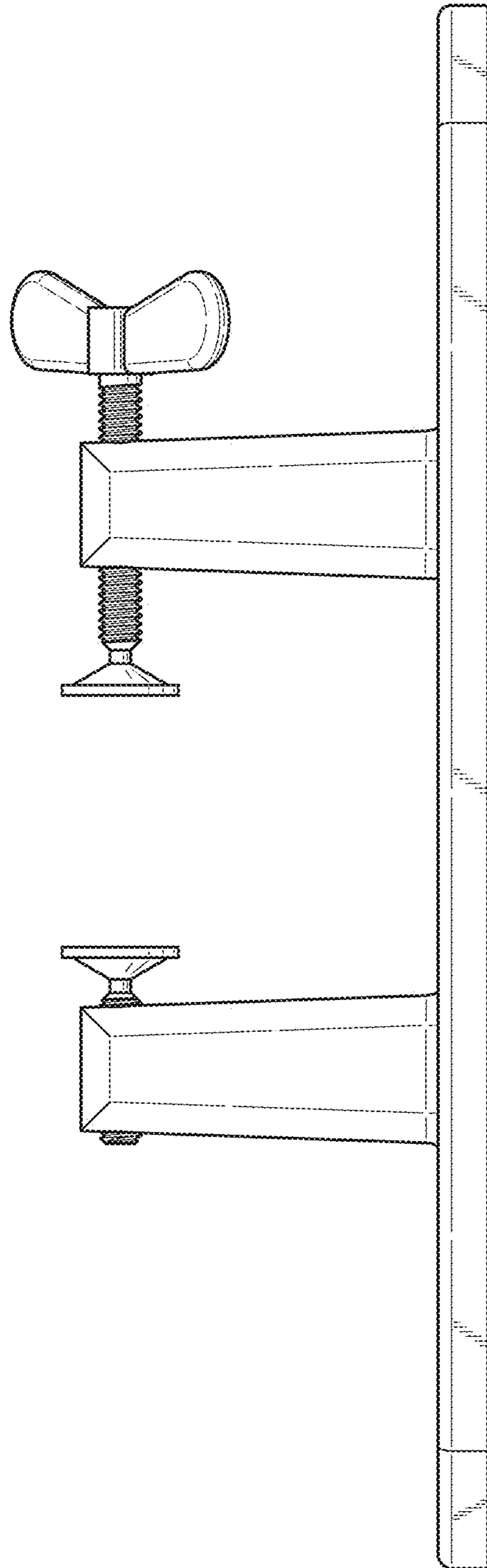
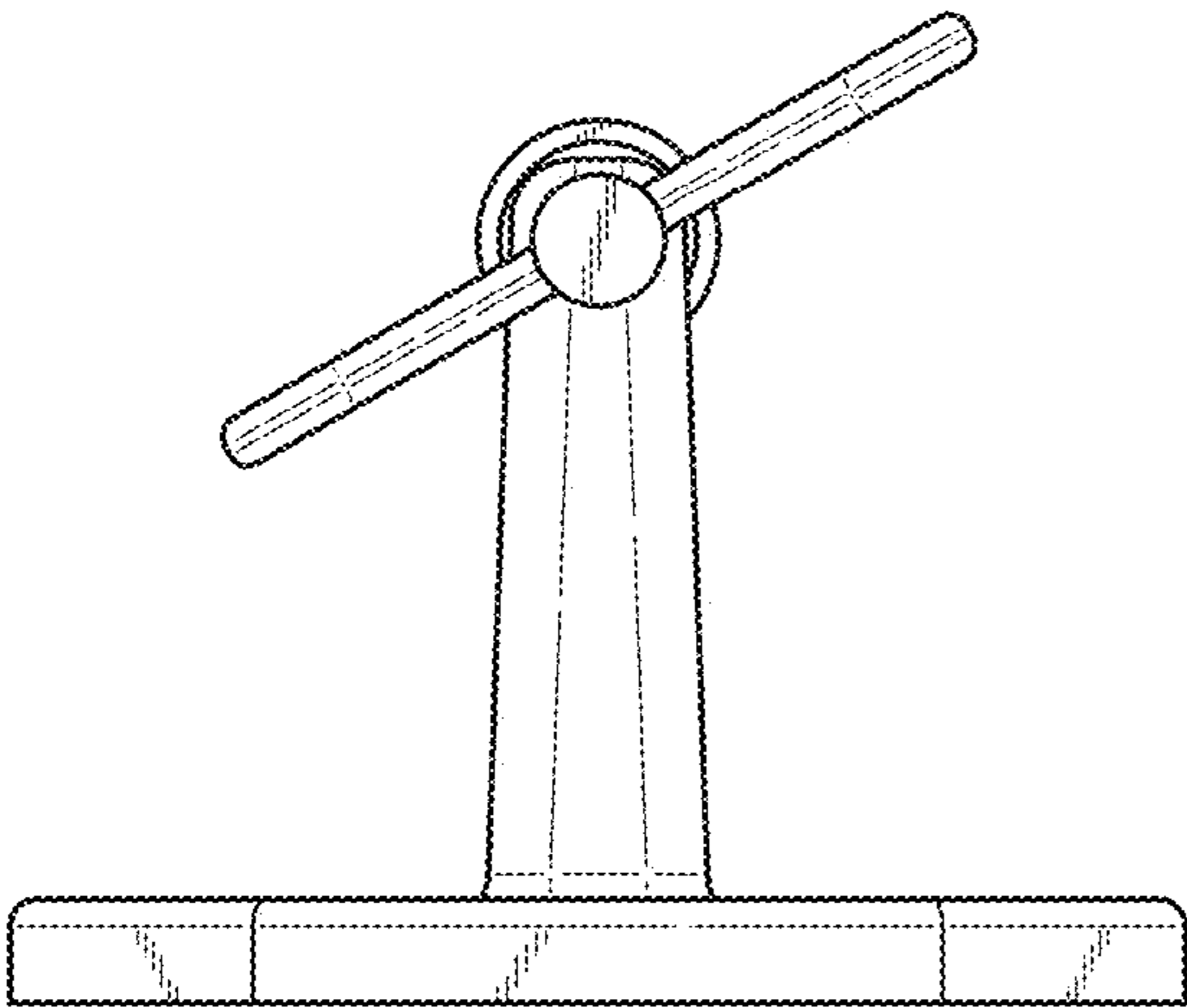
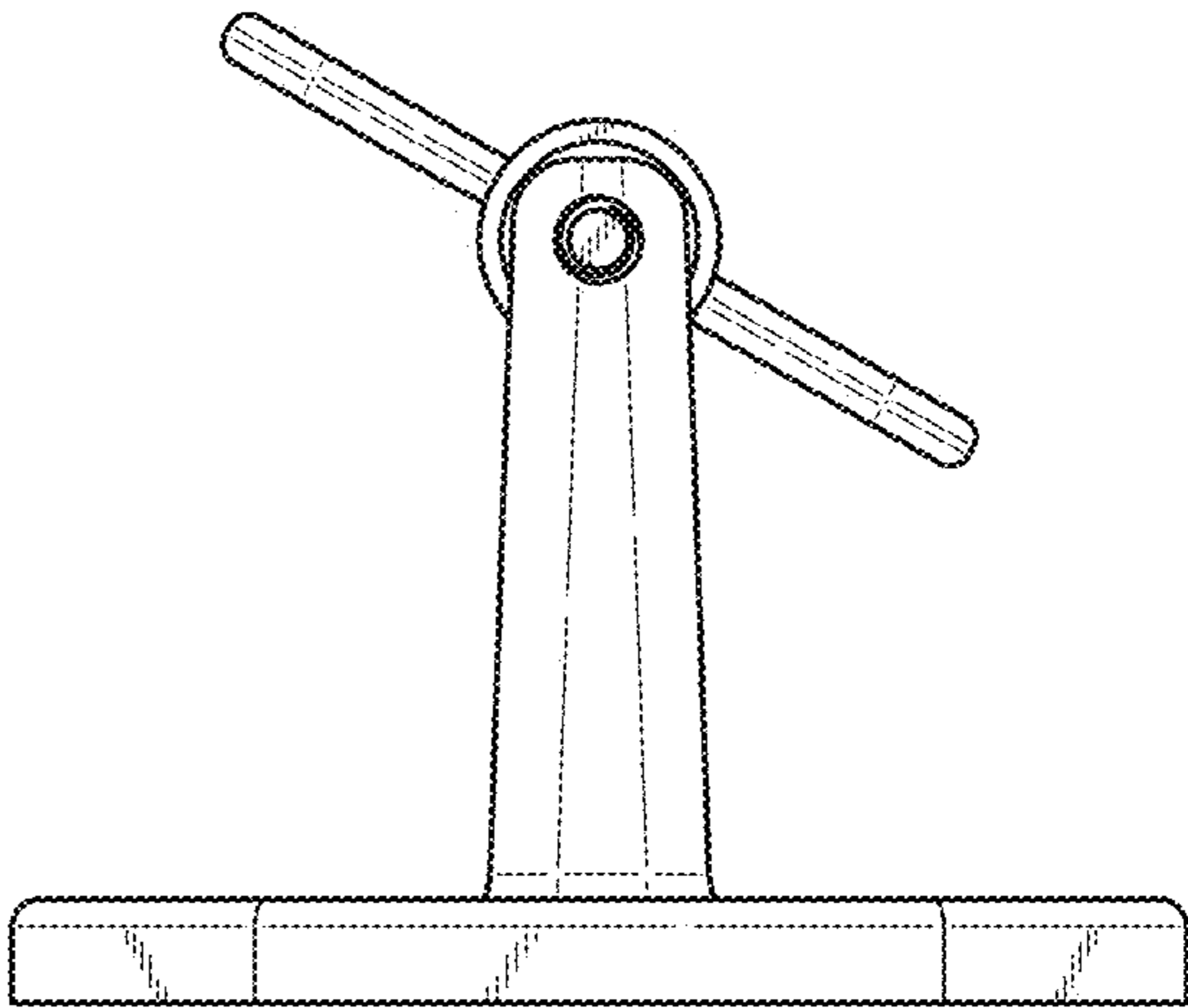


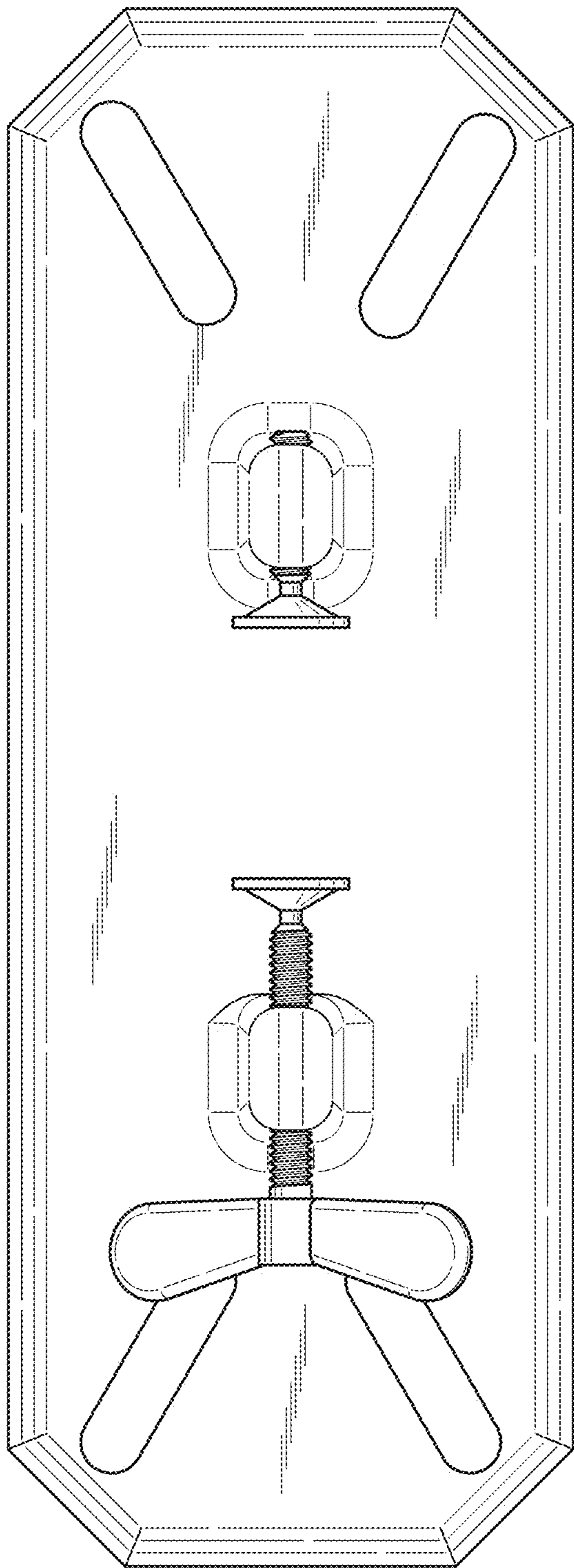
FIG. 4



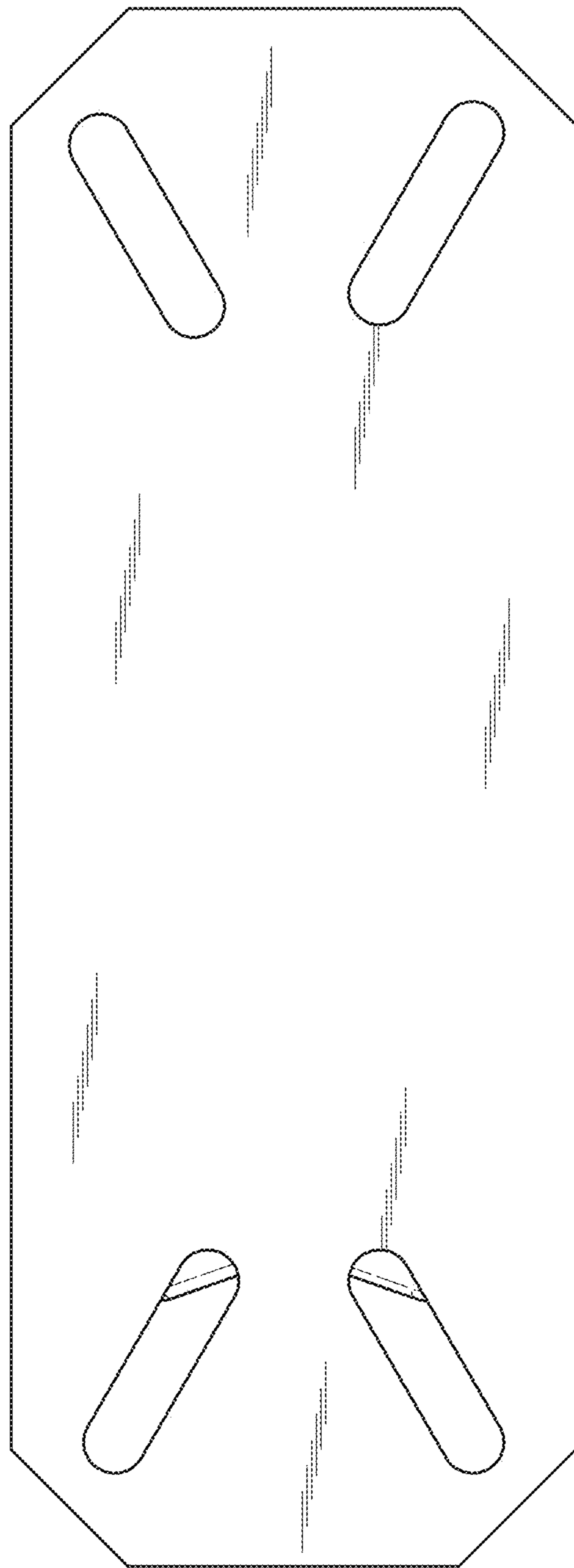
*FIG. 5*



*FIG. 6*



*FIG. 7*



*FIG. 8*

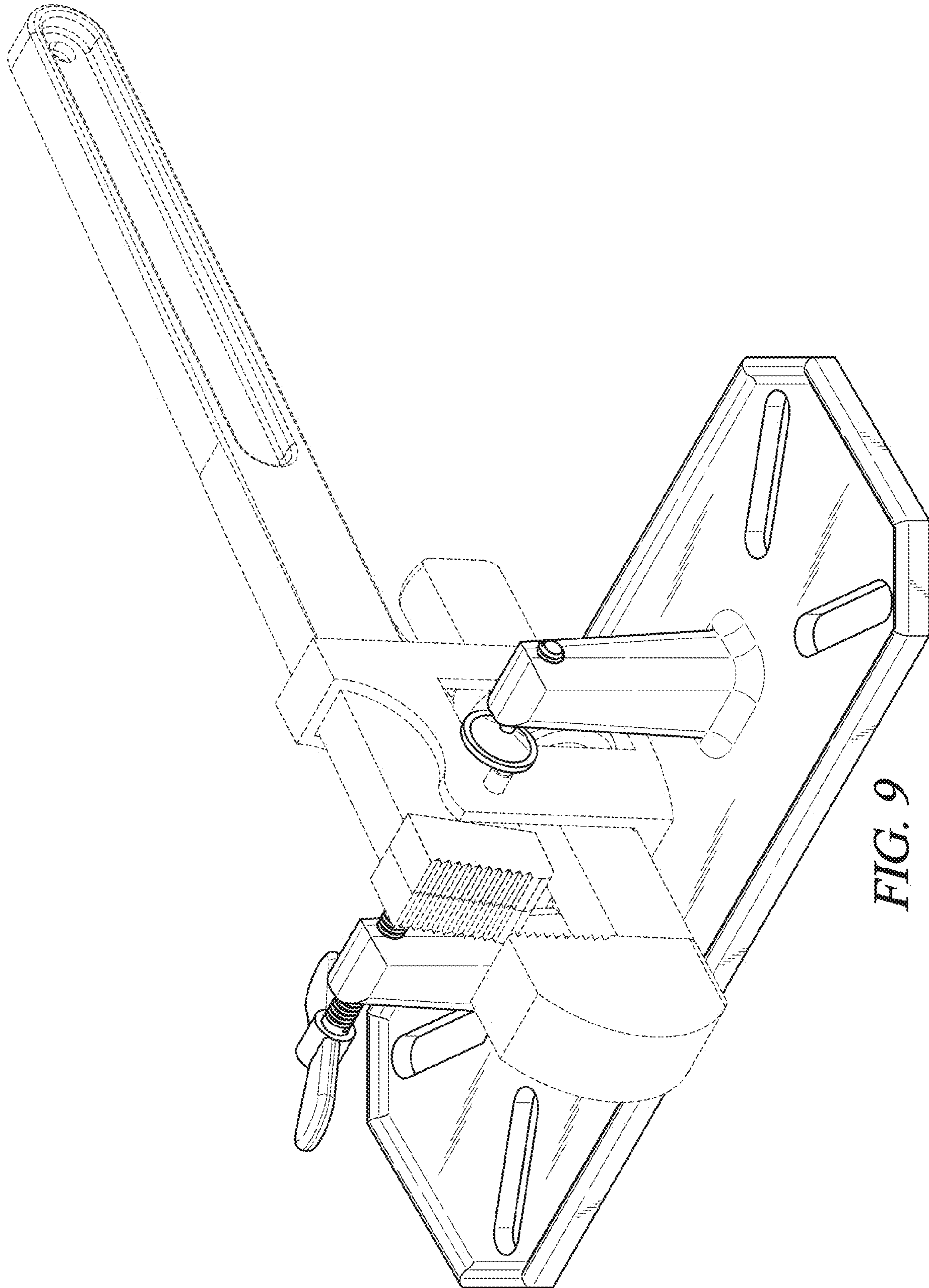


FIG. 9