



US00D948979S

(12) **United States Design Patent**
Ursell et al.

(10) **Patent No.:** **US D948,979 S**
(45) **Date of Patent:** **** Apr. 19, 2022**

(54) **MULTIFUNCTION CUTTING TOOL GUIDE**

(71) Applicant: **Affinity Tool Works, LLC**, Troy, MI (US)

(72) Inventors: **Mike Ursell**, Bloomfield Hills, MI (US); **Connor Ursell**, Rochester Hills, MI (US); **Ken Neilson**, Rochester Hills, MI (US); **Tsvi Hershkovich**, Karmiel (IL); **Garry Favel**, Kibbutz Kadarim (IL); **Yoyada Beerli**, Moreshet (IL)

(73) Assignee: **Affinity Tool Works, LLC**, Troy, MI (US)

(**) Term: **15 Years**

(21) Appl. No.: **29/717,303**

(22) Filed: **Dec. 16, 2019**

(51) **LOC (13) Cl.** **08-05**

(52) **U.S. Cl.**
USPC **D8/70**

(58) **Field of Classification Search**
USPC D8/66, 70, 71; D15/133, 140
CPC B23Q 3/186; B23Q 9/005; B23Q 17/2233;
B23Q 17/2404; B23Q 17/24; B23D
59/002; B23D 59/003; B27G 19/08
See application file for complete search history.

(56) **References Cited**

U.S. PATENT DOCUMENTS

2,676,624	A *	4/1954	Gecmen	B23Q 9/0028	30/373
4,016,649	A *	4/1977	Kloster	B23Q 9/0028	30/373
D255,903	S *	7/1980	Cable	72/428	
4,693,158	A *	9/1987	Price	B23Q 16/001	144/253.1
4,945,799	A *	8/1990	Knetzer	B23Q 9/005	83/471.3

5,035,061	A *	7/1991	Bradbury	B23Q 9/0028	33/430
5,103,566	A *	4/1992	Stebe	B23Q 1/4804	30/376
5,226,345	A *	7/1993	Gamble	B23Q 9/0042	83/574
5,442,984	A *	8/1995	Tate	B23D 45/027	144/287
D364,177	S *	11/1995	Lewis	D10/71	
5,740,847	A *	4/1998	Lakso	B23Q 9/0042	144/144.1
5,921,161	A *	7/1999	Newell	B23Q 9/0078	83/574
6,079,309	A *	6/2000	Molburg	B23Q 9/0078	83/574

(Continued)

Primary Examiner — Darlington Ly

(74) *Attorney, Agent, or Firm* — William H. Honaker;
Dickinson Wright PLLC

(57) **CLAIM**

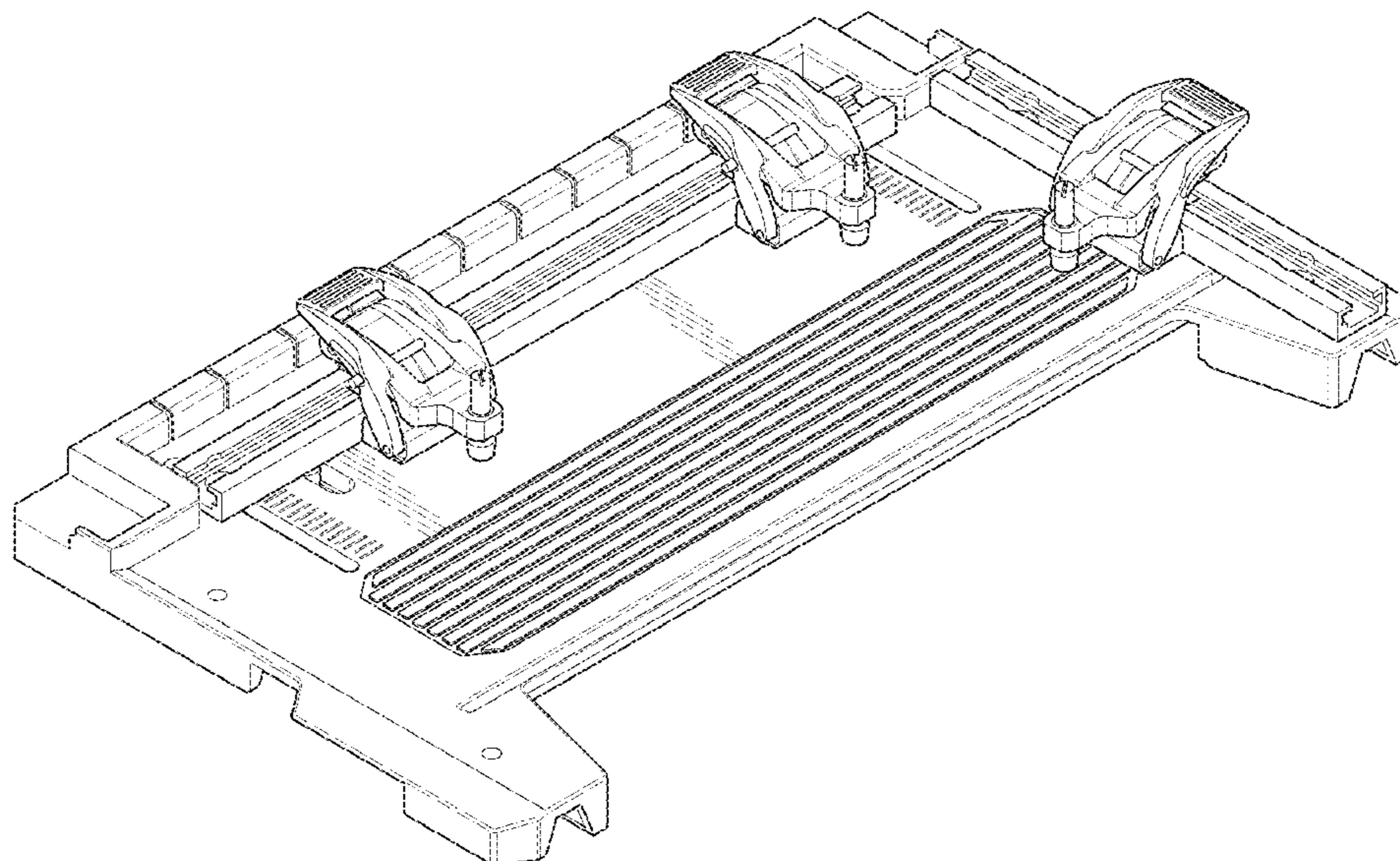
The ornamental design for a multifunction cutting tool guide, as shown and described.

DESCRIPTION

FIG. 1 is a top, front, and left side perspective view of a multifunction cutting tool guide embodying our new design; FIG. 2 is a top plan view thereof; FIG. 3 is a right side elevation view thereof; FIG. 4 is a left side elevation view thereof; FIG. 5 is a bottom plan view thereof; FIG. 6 is a rear elevation view thereof; FIG. 7 is a front elevation view thereof; and, FIG. 8 is a top, rear, and right side perspective view thereof with a mounted exemplary cutting tool.

The broken lines in the drawings illustrate portions of the multifunction cutting tool guide and an exemplary cutting tool that form no part of the claimed design.

1 Claim, 6 Drawing Sheets



(56)

References Cited

U.S. PATENT DOCUMENTS

6,591,509 B2 * 7/2003 LeBlanc B23Q 9/0078
30/374
6,757,981 B2 * 7/2004 Hampton B27B 9/04
30/372
7,516,552 B2 * 4/2009 Yoshida B23D 47/02
30/371
D684,029 S * 6/2013 Krohmer D8/70
D843,191 S * 3/2019 Clark D8/70
10,456,944 B2 * 10/2019 Ursell B27B 9/04
2003/0221329 A1 * 12/2003 Gompper B23Q 9/0042
33/640
2011/0271814 A1 * 11/2011 Di Nicolantonio .. B25H 1/0078
83/821
2014/0026725 A1 * 1/2014 Makropoulos B27B 9/04
83/13
2014/0047967 A1 * 2/2014 Makropoulos B26D 7/0006
83/829
2014/0345436 A1 * 11/2014 Behrisch B27B 9/04
83/745

* cited by examiner

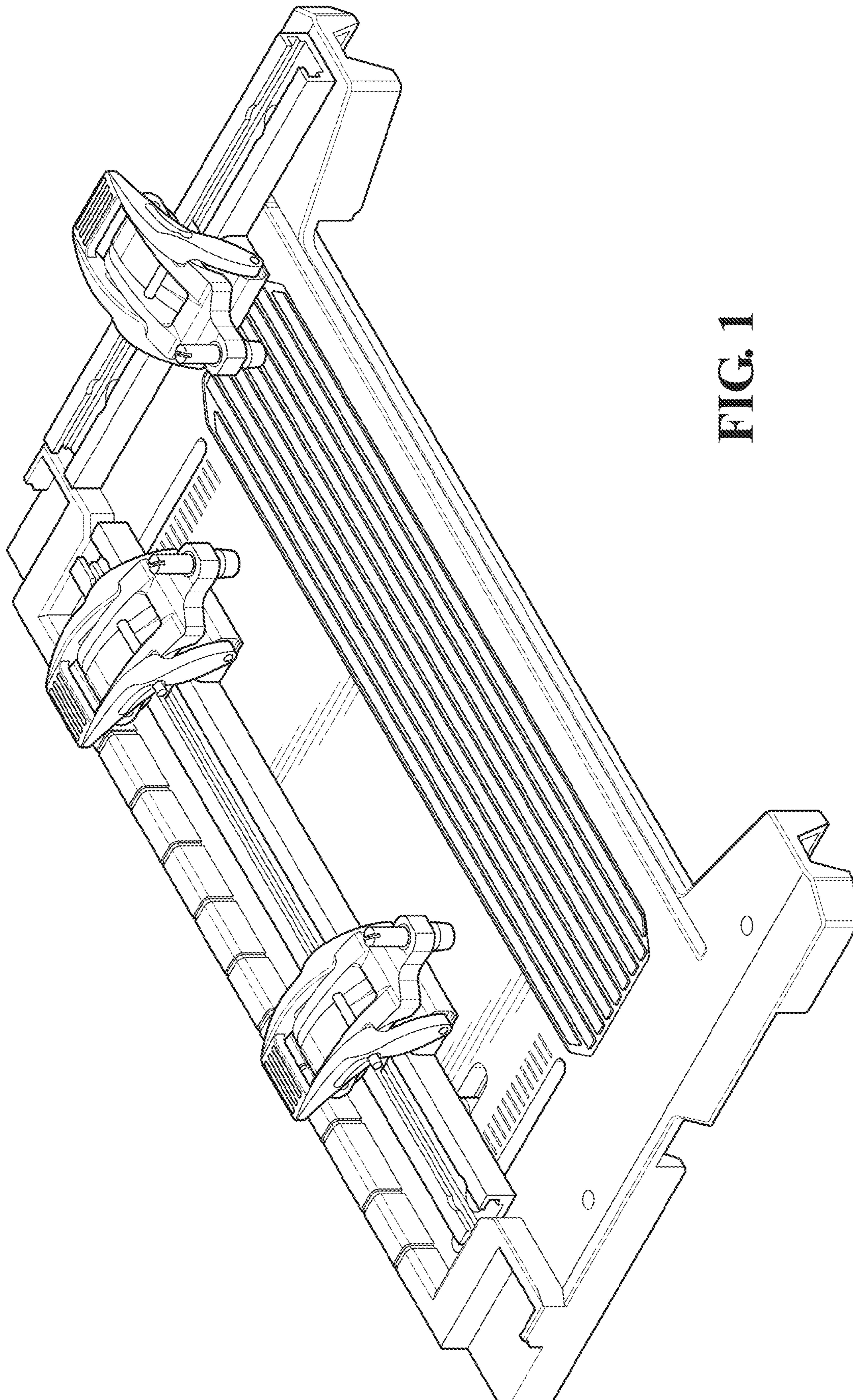


FIG. 1

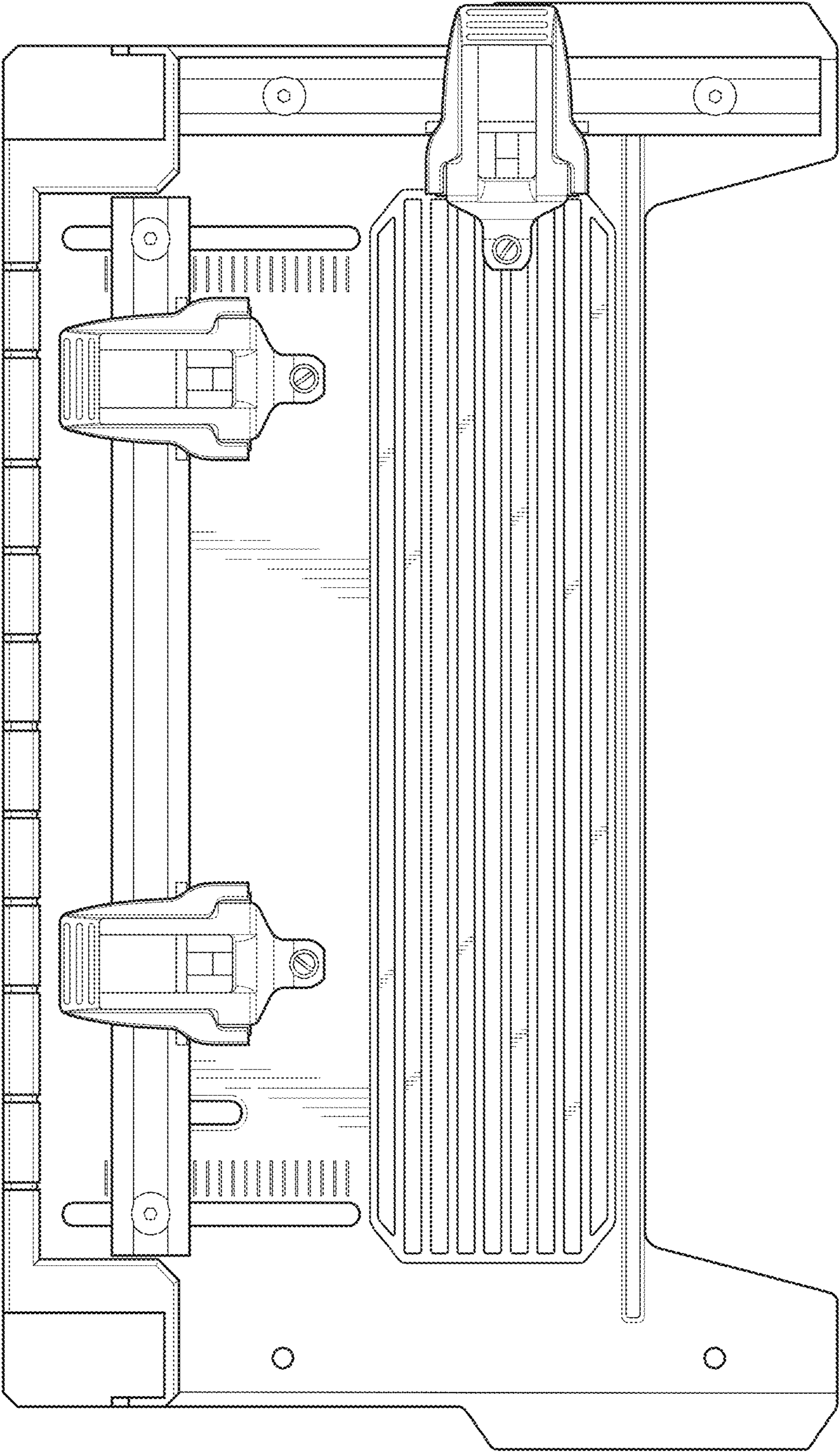


FIG. 2

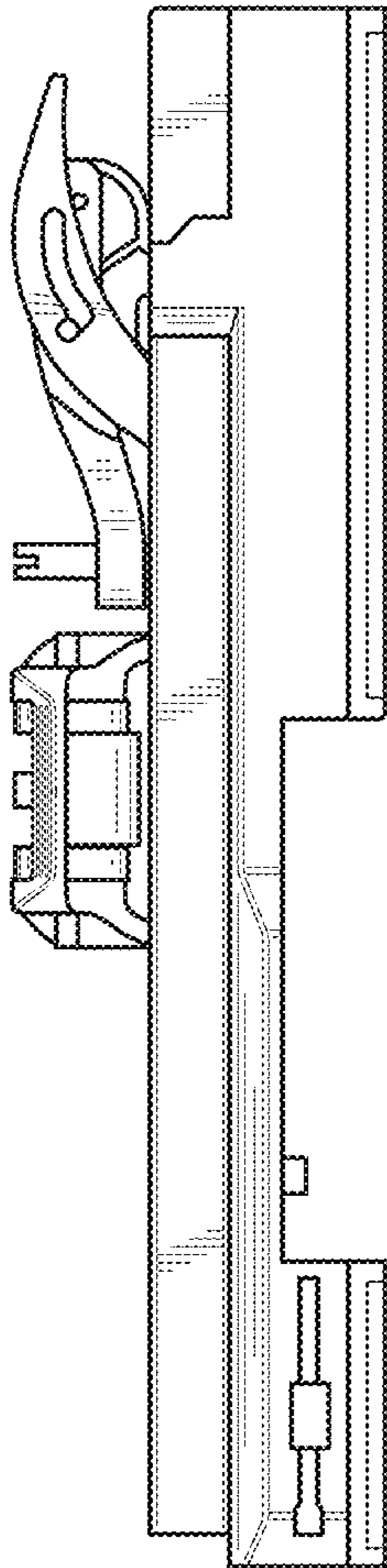


FIG. 3

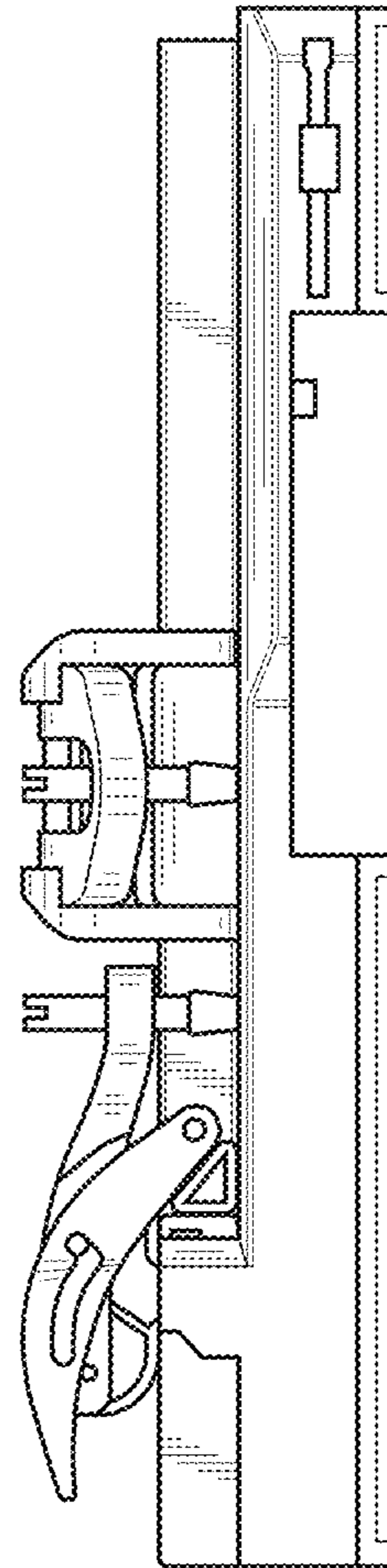


FIG. 4

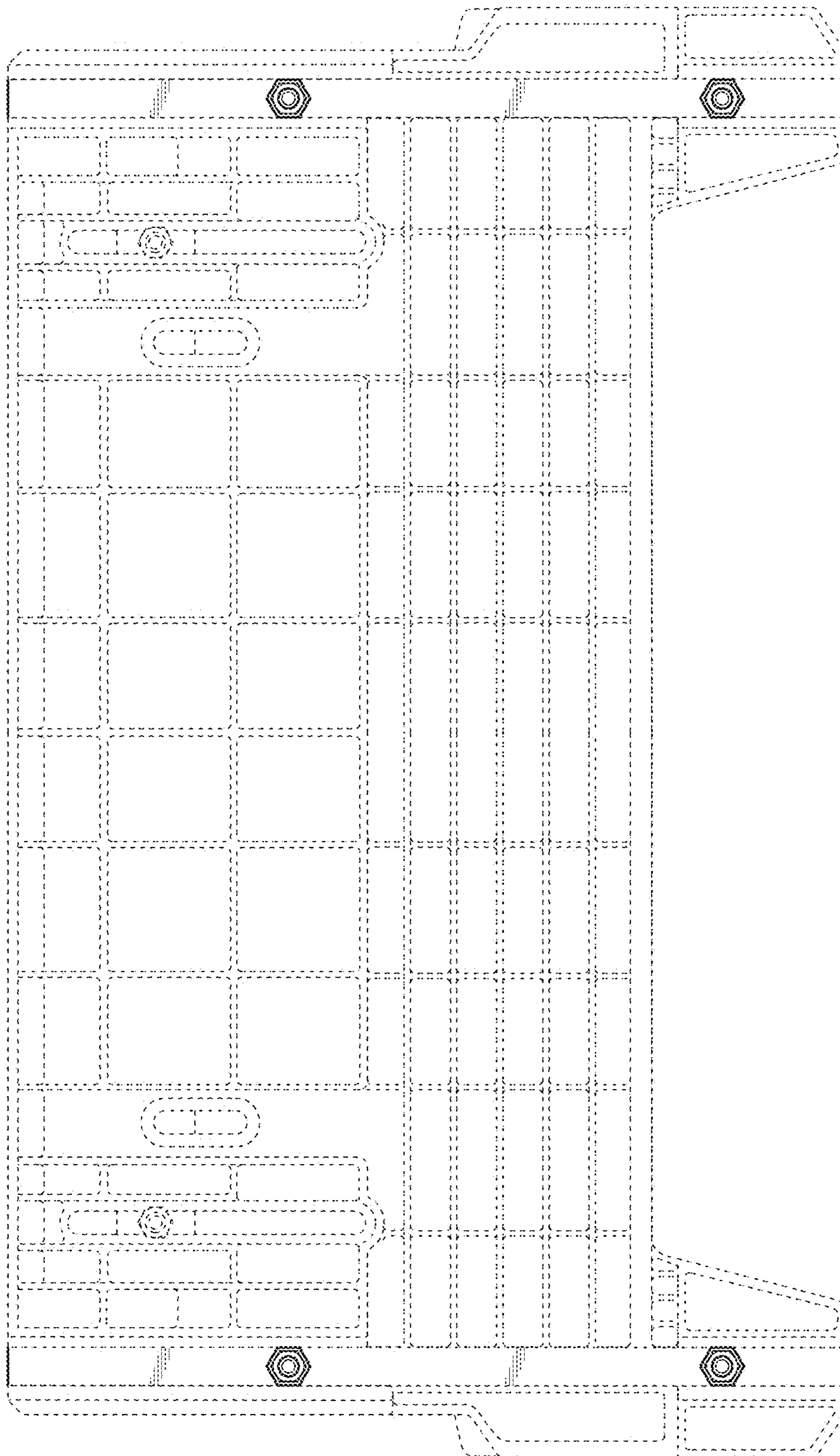


FIG. 5

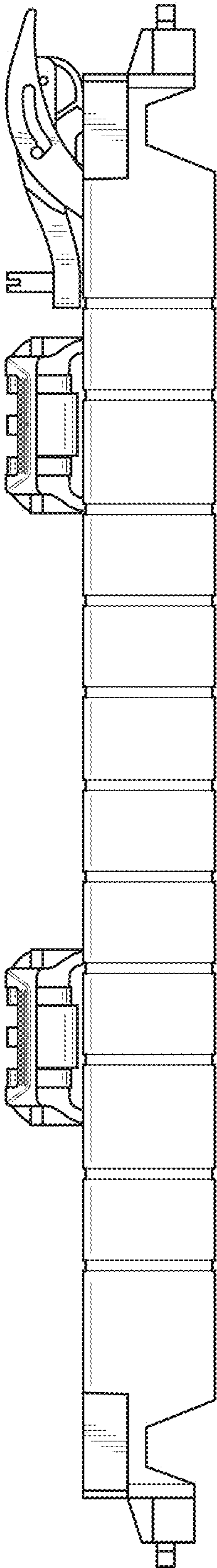


FIG. 6

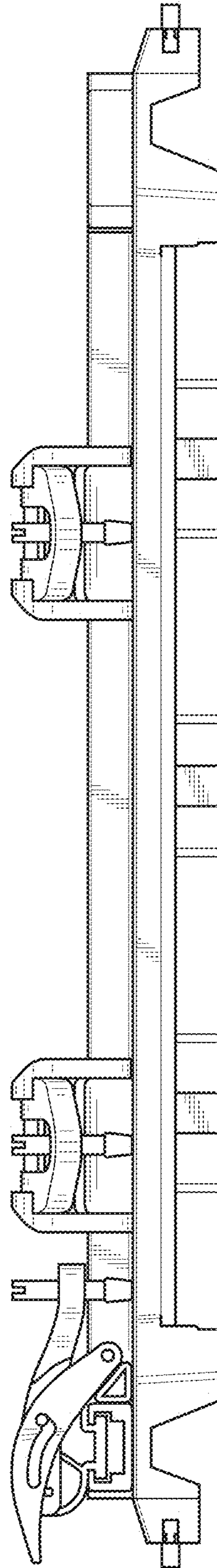


FIG. 7

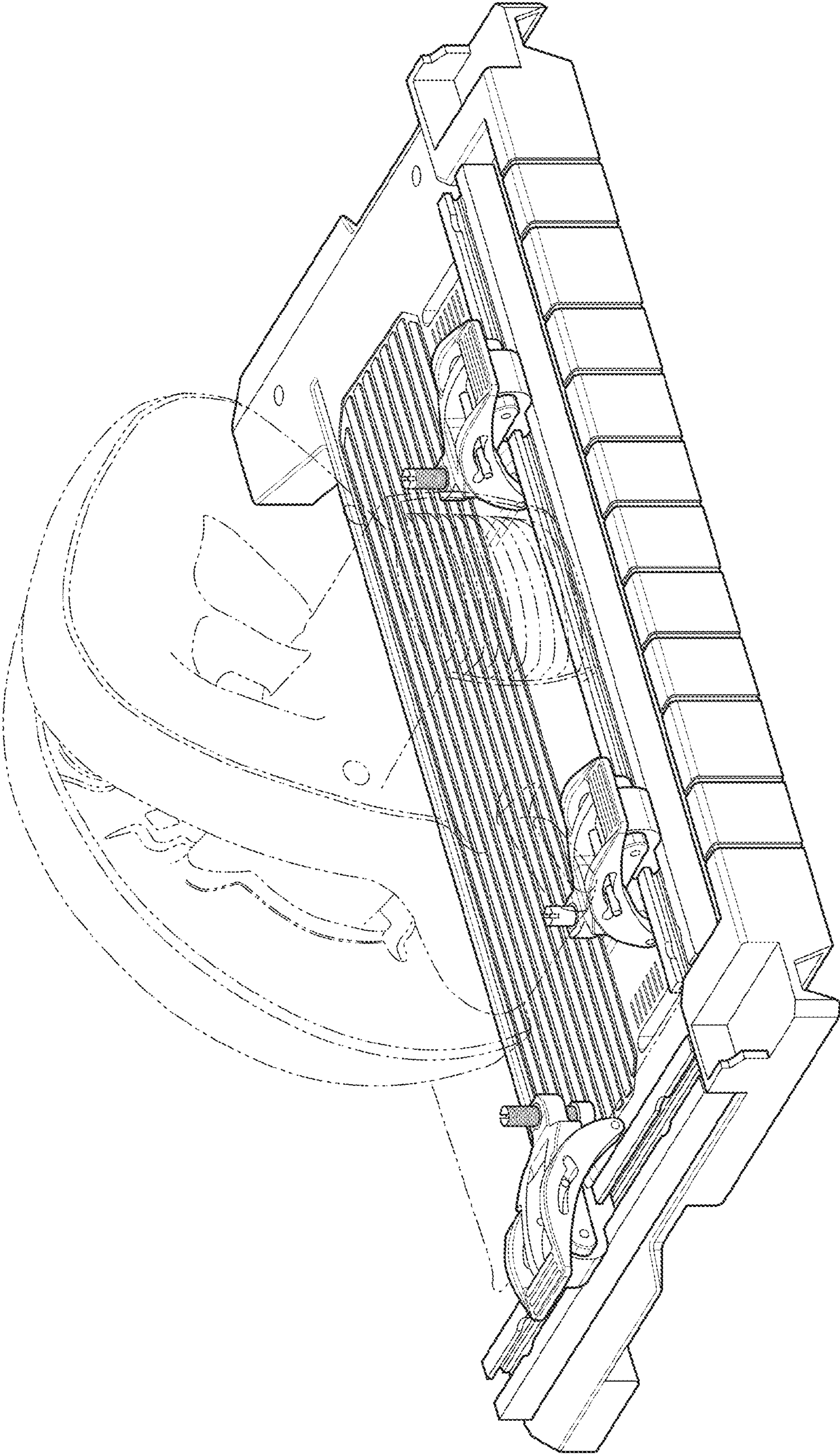


FIG. 8