



US00D948978S

(12) **United States Design Patent**
Schneider et al.

(10) **Patent No.:** **US D948,978 S**
(45) **Date of Patent:** **** Apr. 19, 2022**

(54) **ROTARY IMPACT WRENCH**
(71) Applicant: **MILWAUKEE ELECTRIC TOOL CORPORATION**, Brookfield, WI (US)
(72) Inventors: **Jacob P. Schneider**, Cedarburg, WI (US); **Joseph H. Ellice**, Greenfield, WI (US); **Sara Burch**, Milwaukee, WI (US); **Evan Brown**, Milwaukee, WI (US); **Andrew J. Weber**, Cudahy, WI (US); **Scott R. Fischer**, Menomonee Falls, WI (US)

8,230,607 B2 7/2012 Limberg et al.
8,272,452 B2 9/2012 Katou et al.
D835,959 S * 12/2018 Eardley D8/67
10,286,529 B2 5/2019 Kiyohara et al.
D853,815 S * 7/2019 Yaschur D8/69
(Continued)

FOREIGN PATENT DOCUMENTS

CN 101186034 A 5/2008
CN 202684816 U 1/2013
(Continued)

OTHER PUBLICATIONS

Ingersoll Rand, "Air Impact Wrench 2850MAX and 2850MAX-6"
Product Information, Edition 3, Feb. 2018, 32 pages.
(Continued)

Primary Examiner — Darlington Ly
(74) *Attorney, Agent, or Firm* — Michael Best & Friedrich LLP

(73) Assignee: **MILWAUKEE ELECTRIC TOOL CORPORATION**, Brookfield, WI (US)
(**) Term: **15 Years**
(21) Appl. No.: **29/728,227**
(22) Filed: **Mar. 17, 2020**
(51) **LOC (13) Cl.** **08-05**
(52) **U.S. Cl.**
USPC **D8/69**
(58) **Field of Classification Search**
USPC D8/61, 67, 68
CPC B62D 23/005; B62D 29/00; B62D 29/043;
B62D 31/00; B62D 33/046; B62D 35/00;
B62D 35/001; B60Q 1/0005
See application file for complete search history.

(57) **CLAIM**

We claim the ornamental design for a rotary impact wrench, as shown and described.

DESCRIPTION

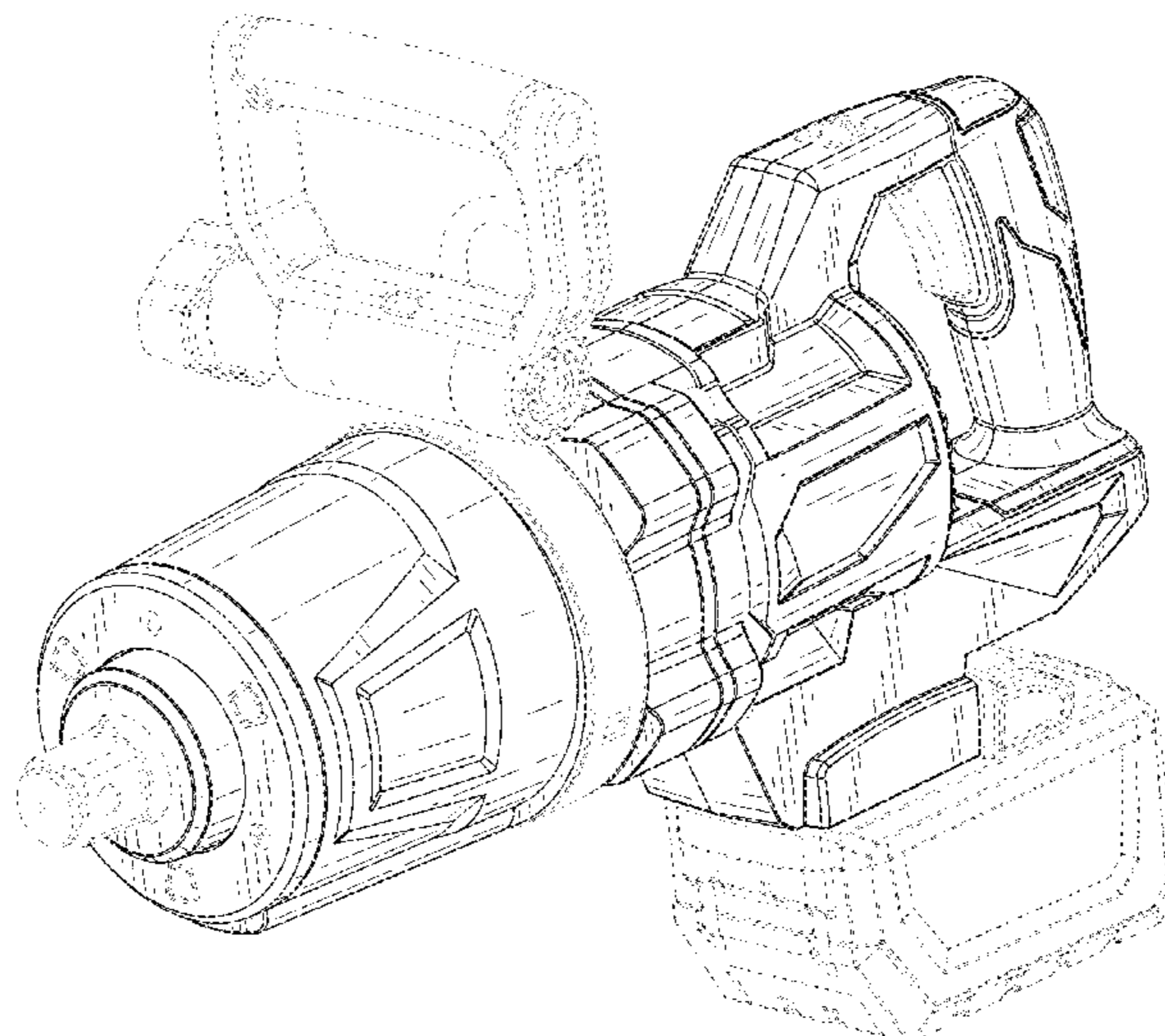
FIG. 1 is a front perspective view of a rotary impact wrench embodying our new design;
FIG. 2 is a left side elevation view thereof;
FIG. 3 is a right side elevation view thereof;
FIG. 4 is a front elevation view thereof;
FIG. 5 is a rear elevation view thereof;
FIG. 6 is a top plan view thereof; and,
FIG. 7 is a bottom plan view thereof.
The broken lines in the drawings illustrate portions of the rotary impact wrench that form no part of the claimed design.

(56) **References Cited**

U.S. PATENT DOCUMENTS

4,790,218 A 12/1988 Cabrera
D343,345 S * 1/1994 Ogawa D8/69
6,786,683 B2 9/2004 Schaer et al.
6,935,437 B2 8/2005 Izumisawa
7,401,663 B2 7/2008 Craven et al.
D590,681 S * 4/2009 Palermo D8/68
D591,130 S * 4/2009 Palermo D8/69
D606,377 S * 12/2009 Ho D8/69
7,628,220 B2 * 12/2009 Barezzani B25B 21/02
173/104

1 Claim, 7 Drawing Sheets



(56)

References Cited

U.S. PATENT DOCUMENTS

2007/0267206 A1* 11/2007 Chen B25B 21/00
173/170

2012/0319508 A1 12/2012 Oomori

2013/0284480 A1 10/2013 Horie et al.

2014/0014385 A1 1/2014 Kosugi et al.

2014/0144658 A1* 5/2014 Schmid B25D 17/24
173/90

2014/0318821 A1* 10/2014 Wyler B25D 11/125
173/104

2015/0266176 A1 9/2015 Takeuchi et al.

2017/0106525 A1 4/2017 Brauer et al.

2019/0224819 A1 7/2019 Kiyohara et al.

2019/0255687 A1* 8/2019 Schneider B25B 21/02

2020/0180124 A1* 6/2020 Ellice B25B 21/02

2020/0198100 A1* 6/2020 Schneider B25B 21/02

2021/0237249 A1* 8/2021 Fischer B25D 17/24

2021/0260733 A1* 8/2021 Fischer B25B 23/1475

2021/0260734 A1* 8/2021 Kubale B25B 21/023

FOREIGN PATENT DOCUMENTS

CN 203843800 U 9/2014

CN 206122746 U 4/2017

CN 206702908 U 12/2017

CN 109500432 A 3/2019

CN 209139897 U 7/2019

CN 209812185 U 12/2019

DE 19738092 C1 12/1998

EP 2944433 B1 6/2017

JP 2008183691 A 8/2008

JP 2016097498 A 5/2016

JP 2017080853 A 5/2017

OTHER PUBLICATIONS

Ingersoll Rand, “285B Series Air Impact Wrench—Exploded View”, Edition 7, Jan. 2014, 2 pages.

Ingersoll Rand, “2850MAX Series Air Impacttools™—Exploded View”, Edition 3, Feb. 2018, 2 pages.

Ingersoll Rand, “1" D-Handle Impact Wrench 2850MAX and 2850MAX-6”, Informational Flyer, 2018, 2 pages.

Ingersoll Rand, “Air Impact Wrench Series 285B and 295A” Product Information, Edition 5, Jan. 2014, 36 pages.

International Search Report and Written Opinion for Application No. PCT/US2021/019316 dated Jun. 18, 2021 (14 pages).

International Search Report and Written Opinion for Application No. PCT/US2019/064583 dated Apr. 10, 2020 (12 pages).

* cited by examiner

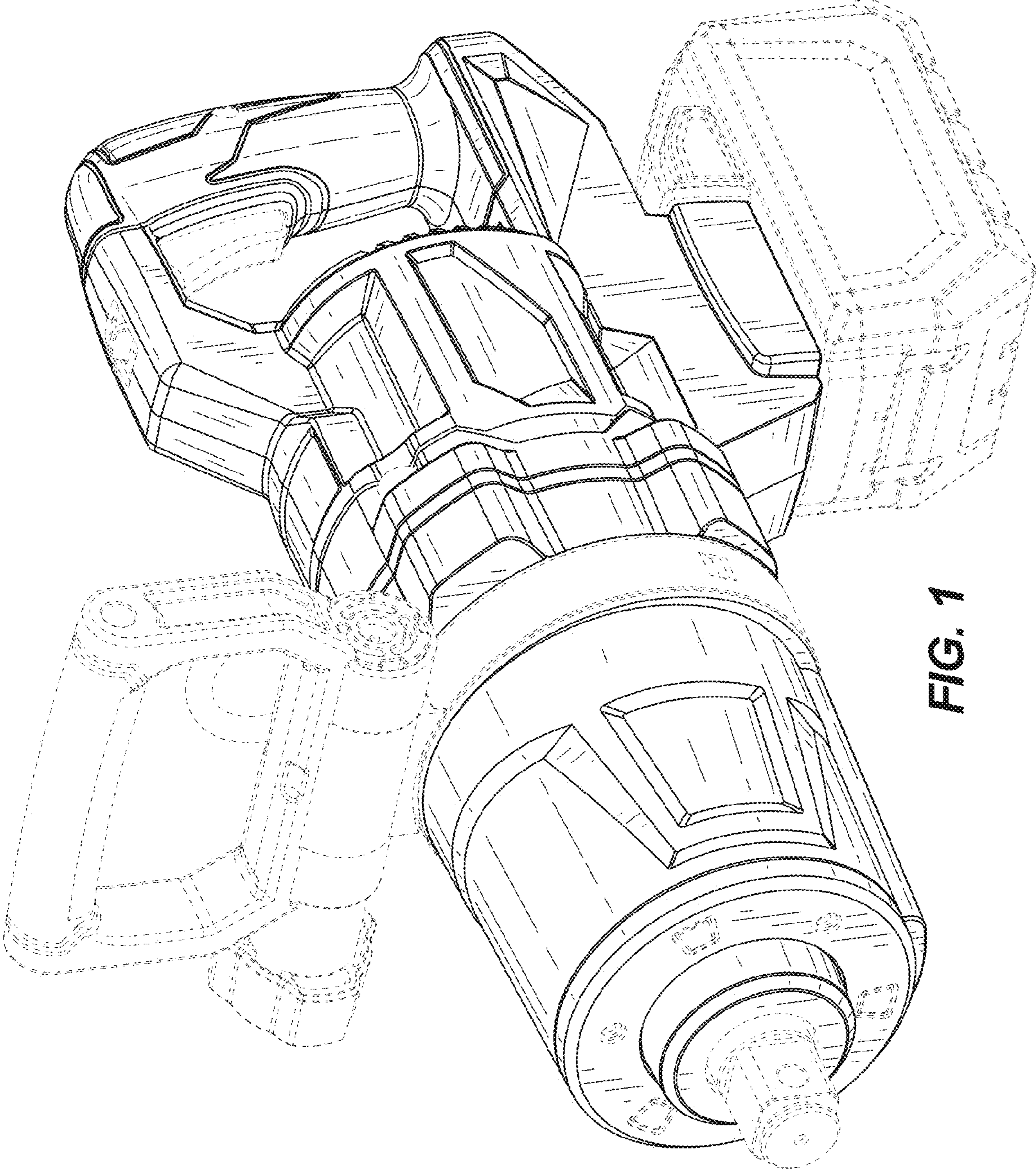


FIG. 1

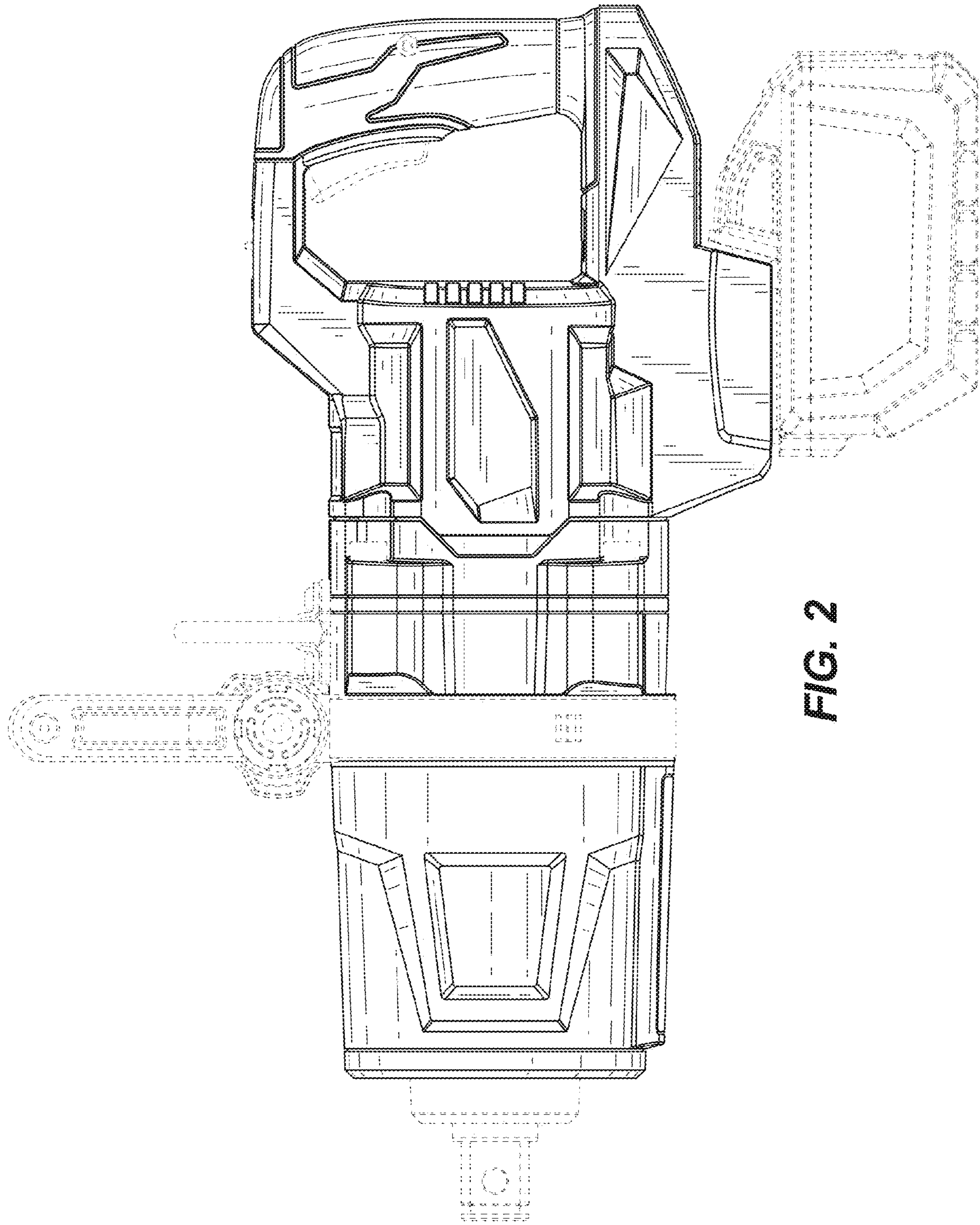
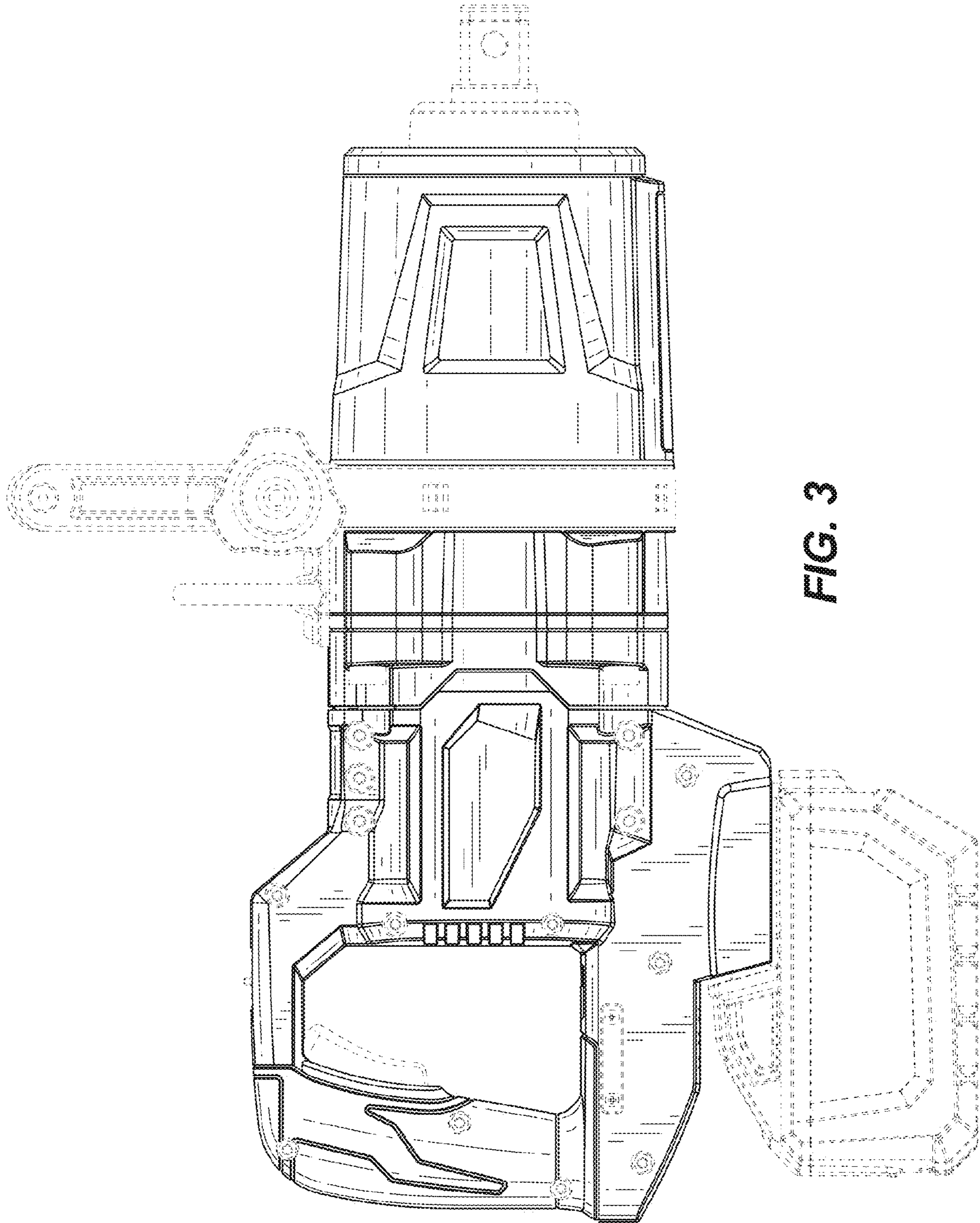


FIG. 2



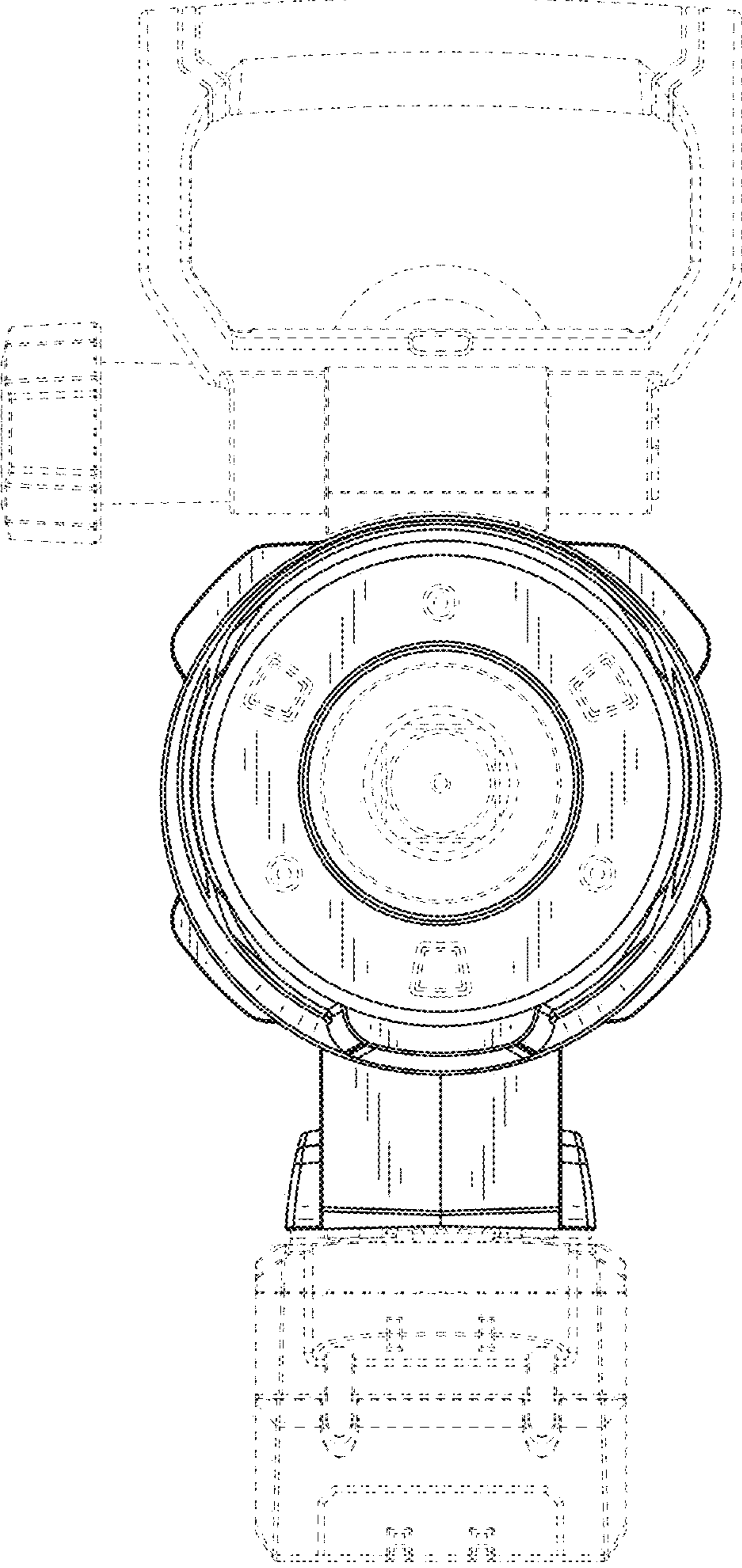


FIG. 4

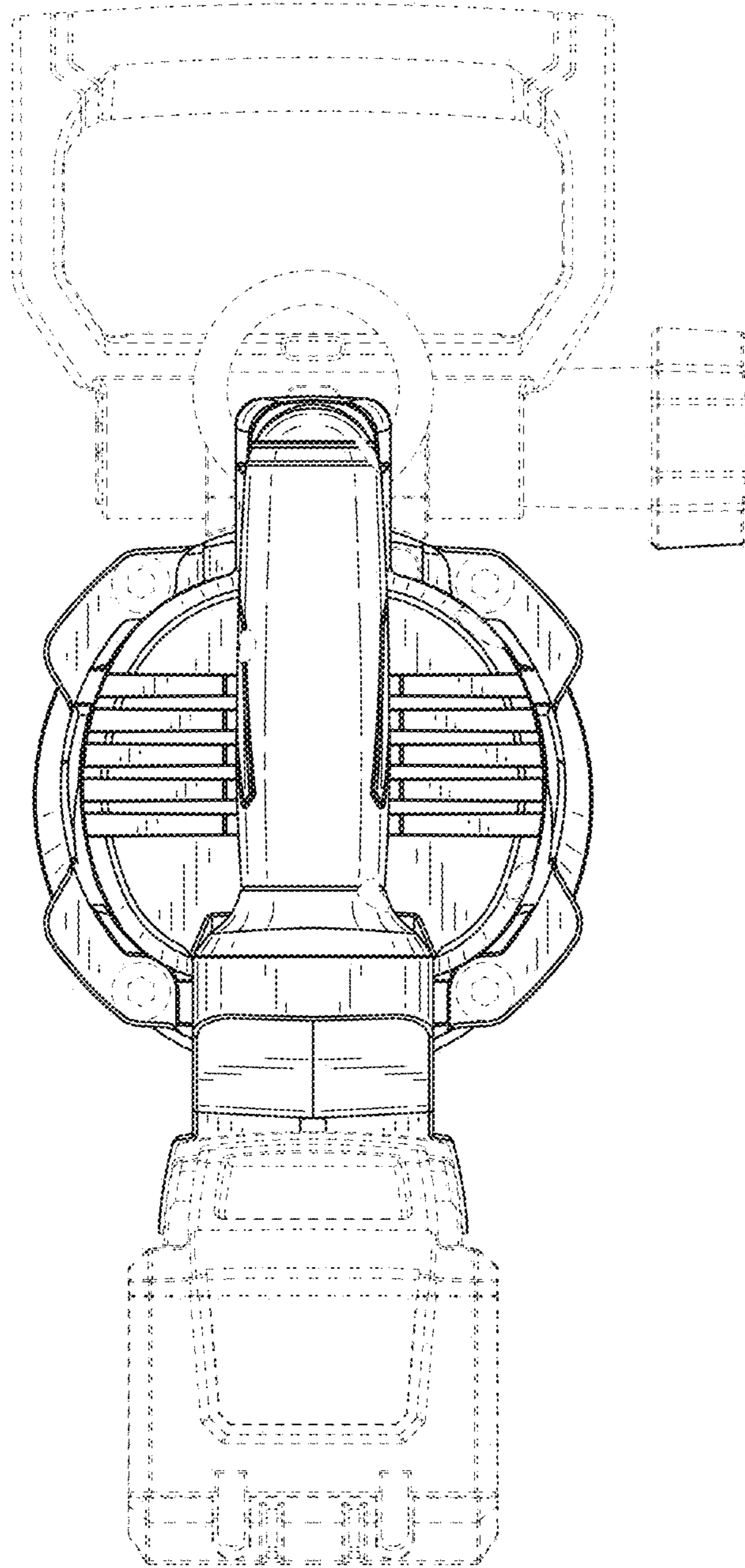


FIG. 5

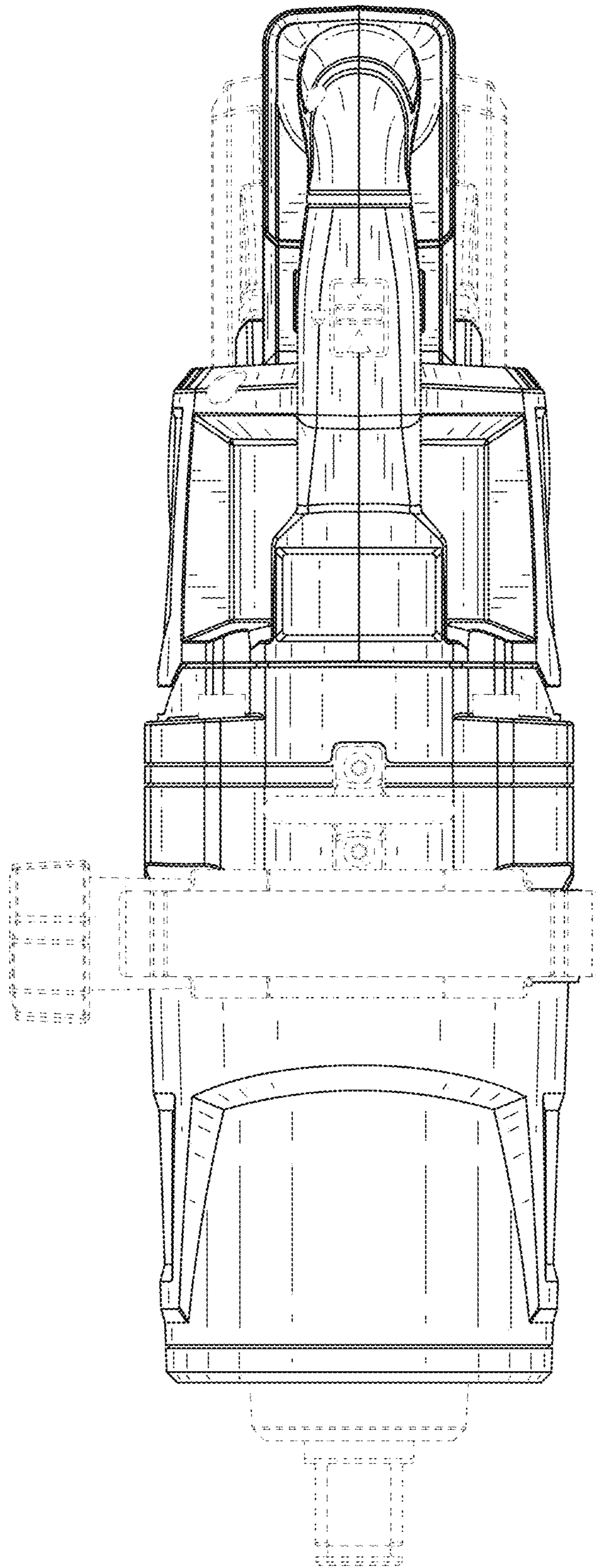


FIG. 6

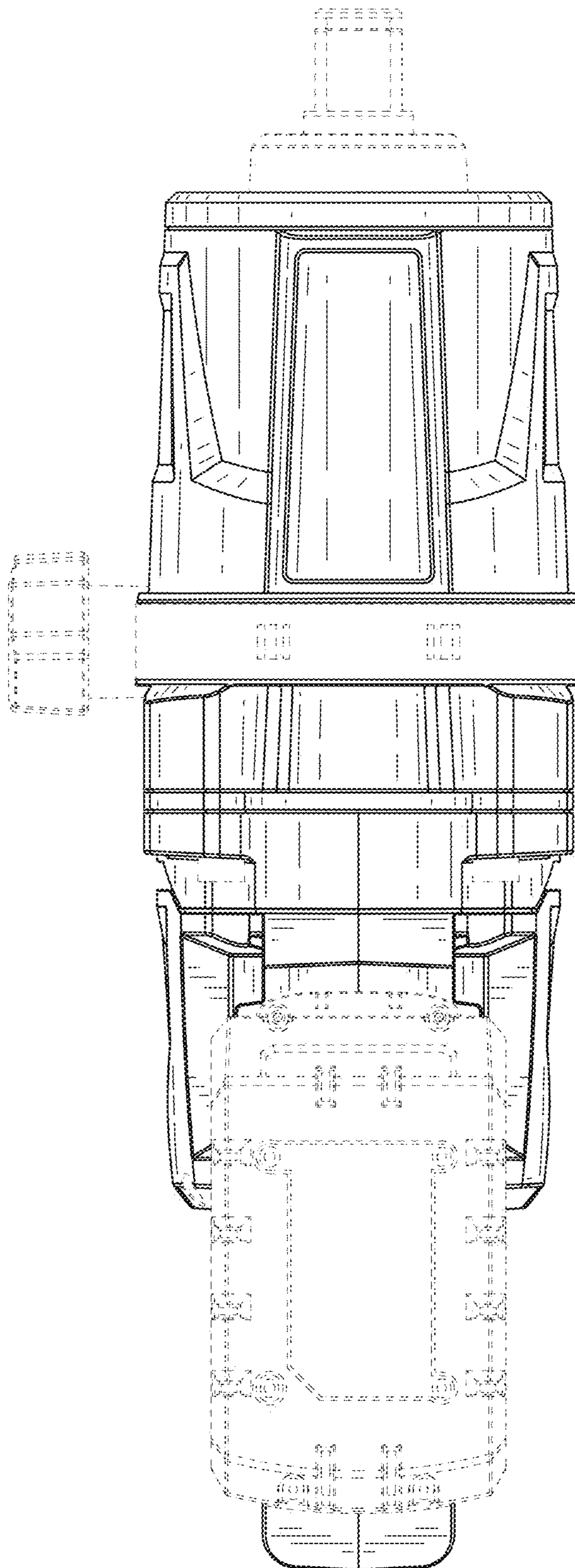


FIG. 7