



US00D948977S

(12) **United States Design Patent** (10) **Patent No.:** **US D948,977 S**
Cai (45) **Date of Patent:** **** Apr. 19, 2022**

(54) **MULTI-FUNCTION PLIER**
(71) Applicant: **Xiao Cai**, Shenzhen (CN)
(72) Inventor: **Xiao Cai**, Shenzhen (CN)
(**) Term: **15 Years**
(21) Appl. No.: **29/718,962**

D421,376 S * 3/2000 Neff D8/58
D485,146 S * 1/2004 Rivera D8/105
D657,219 S * 4/2012 Kawell D8/52
D695,084 S * 12/2013 Jensen D8/52
D817,132 S * 5/2018 Yang D8/52
D827,403 S * 9/2018 Fritz D8/52
D867,080 S * 11/2019 Stafford D8/5
2005/0035013 A1 * 2/2005 Bates B65D 73/0064
206/349
2005/0044715 A1 * 3/2005 Shutts G02B 6/4497
30/90.1

(22) Filed: **Dec. 30, 2019**
(51) **LOC (13) Cl.** **08-05**
(52) **U.S. Cl.**
USPC **D8/52; D8/55**
(58) **Field of Classification Search**
USPC D8/51-60
CPC B25F 1/003; B26B 13/16; B25B 7/02
See application file for complete search history.

* cited by examiner

Primary Examiner — Deanna L Pratt

(57) **CLAIM**

The ornamental design for a multi-function plier, as shown and described.

DESCRIPTION

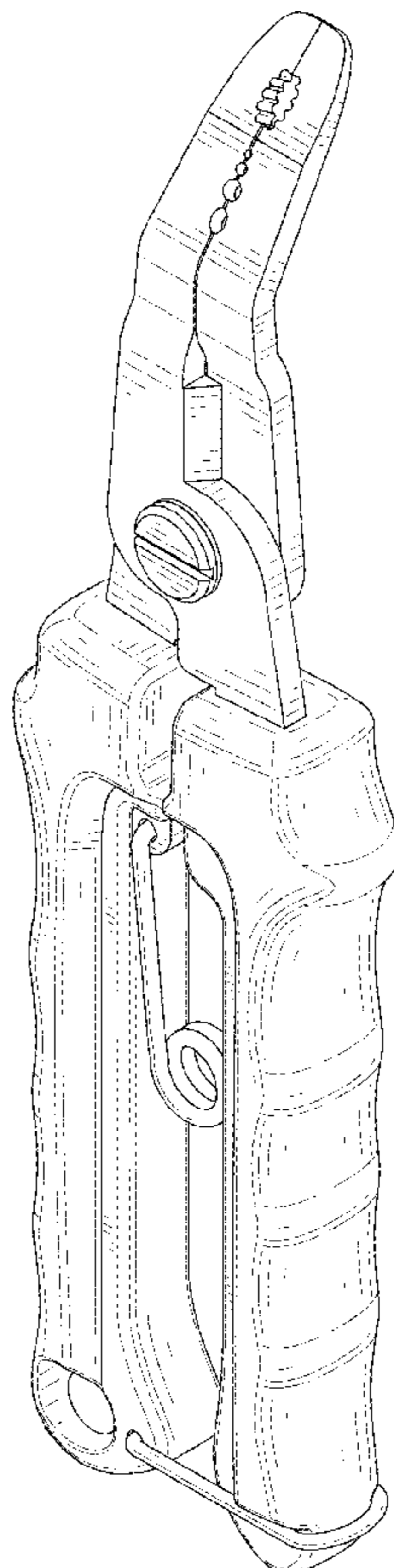
FIG. 1 is a front and top perspective view of a multi-function plier, showing my new design;
FIG. 2 is a rear and bottom perspective view thereof;
FIG. 3 is a front elevational view thereof;
FIG. 4 is a rear elevational view thereof;
FIG. 5 is a left side elevational view thereof;
FIG. 6 is a right side elevational view thereof;
FIG. 7 is a top plan view thereof;
FIG. 8 is a bottom plan view thereof; and,
FIG. 9 is a perspective view thereof, showing the multi-function plier in an open position.

(56) **References Cited**

U.S. PATENT DOCUMENTS

D215,810 S * 11/1969 Hindenburg D8/58
D218,141 S * 7/1970 Neff D8/58
3,525,107 A * 8/1970 Hays H01R 43/042
7/107
3,654,647 A * 4/1972 Neff H02G 1/12
7/107
D223,561 S * 5/1972 Boyajian D8/58
5,497,522 A * 3/1996 Chen B25B 7/22
30/257
D406,031 S * 2/1999 Toshima D8/52

1 Claim, 9 Drawing Sheets



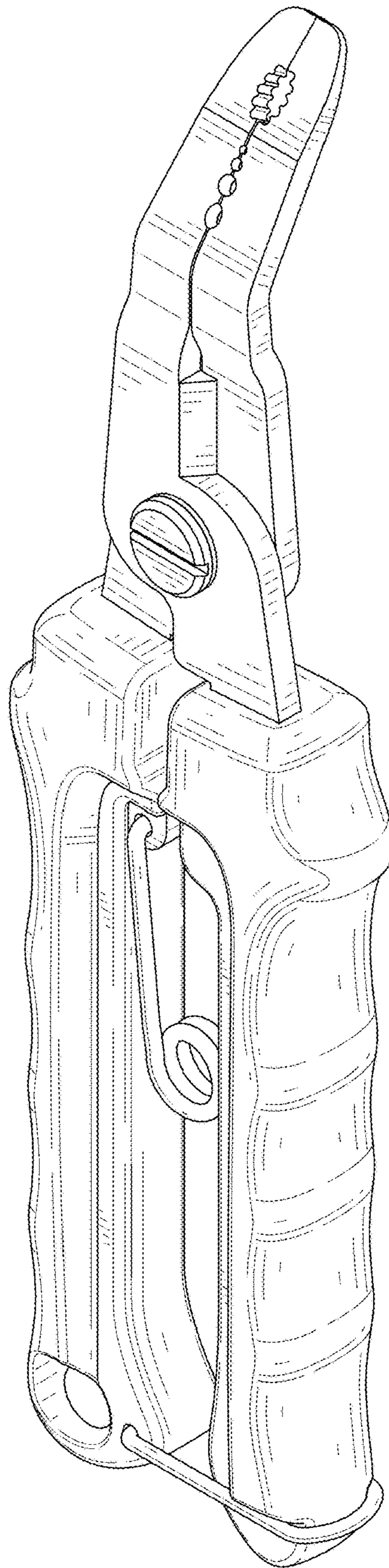


FIG. 1

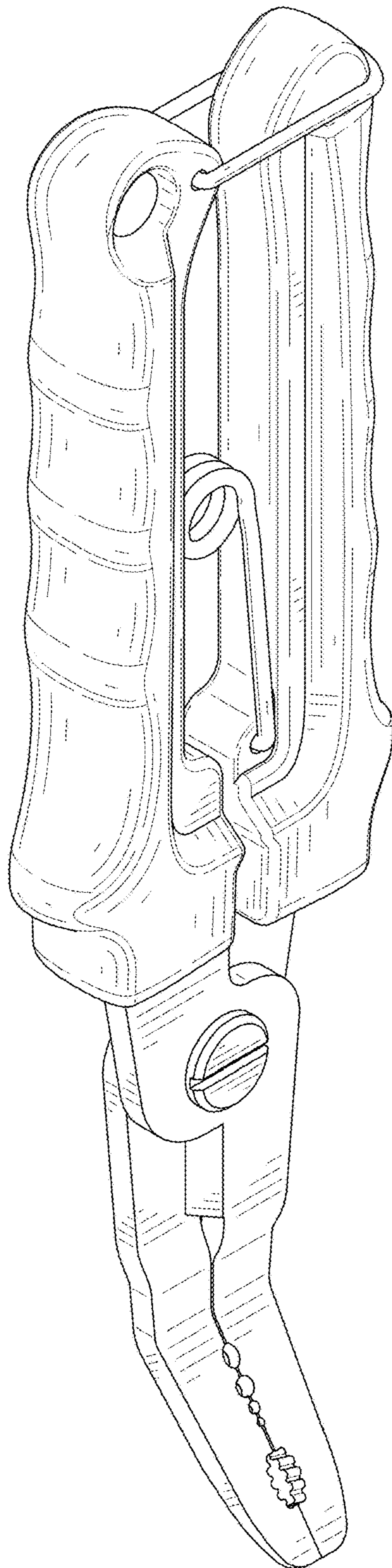


FIG. 2

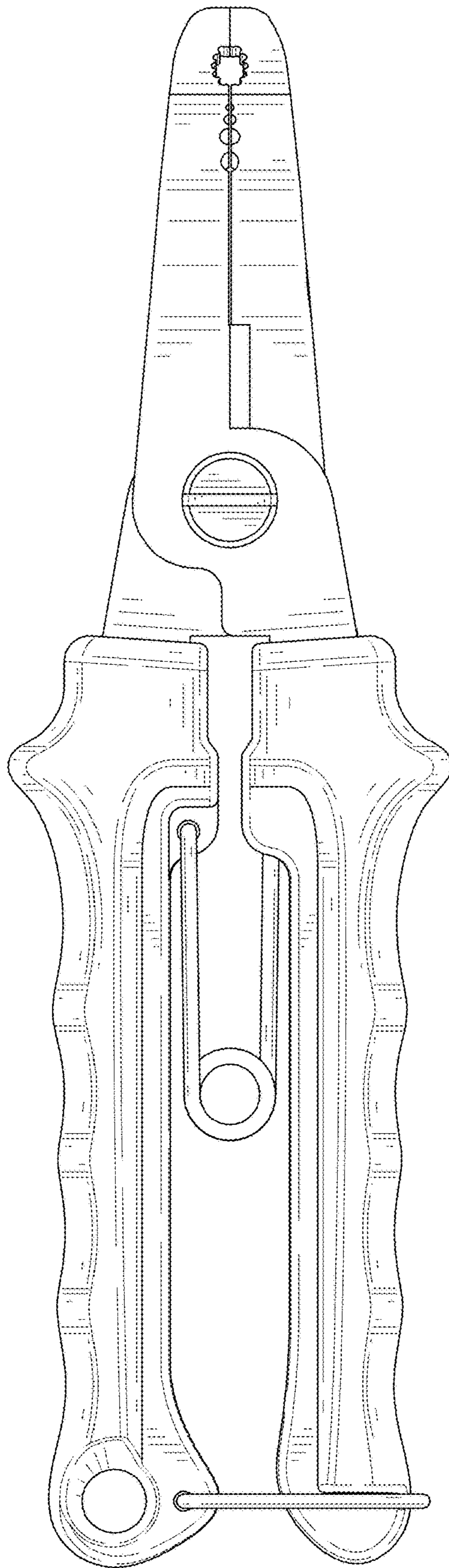


FIG. 3

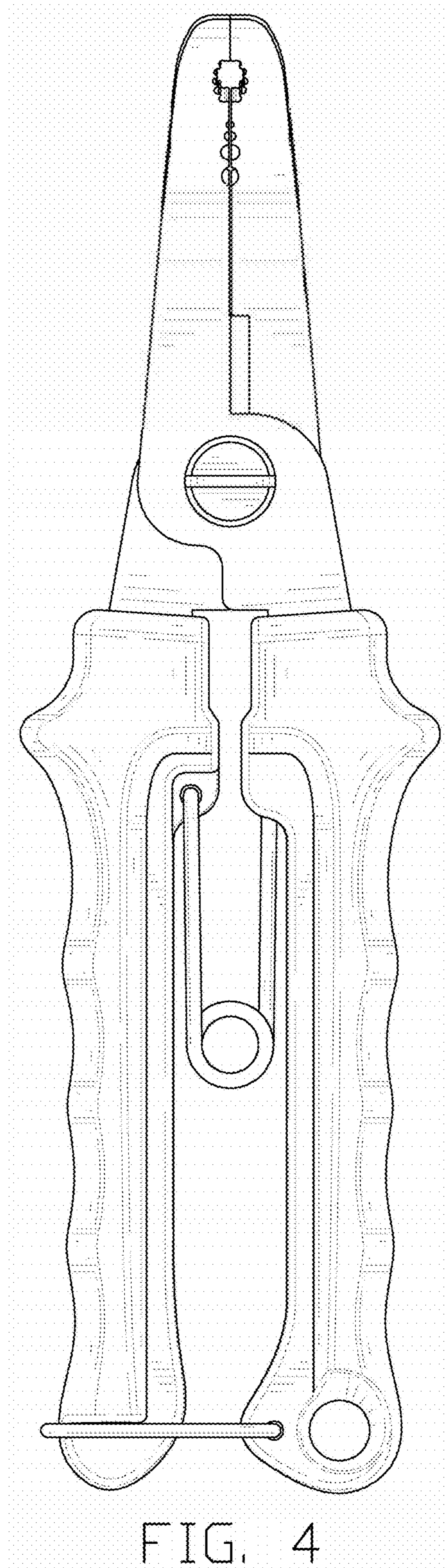


FIG. 4

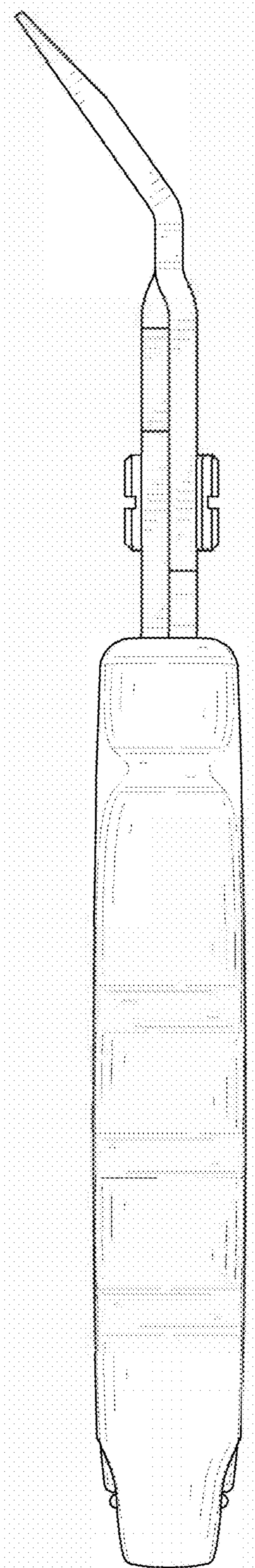


FIG. 5

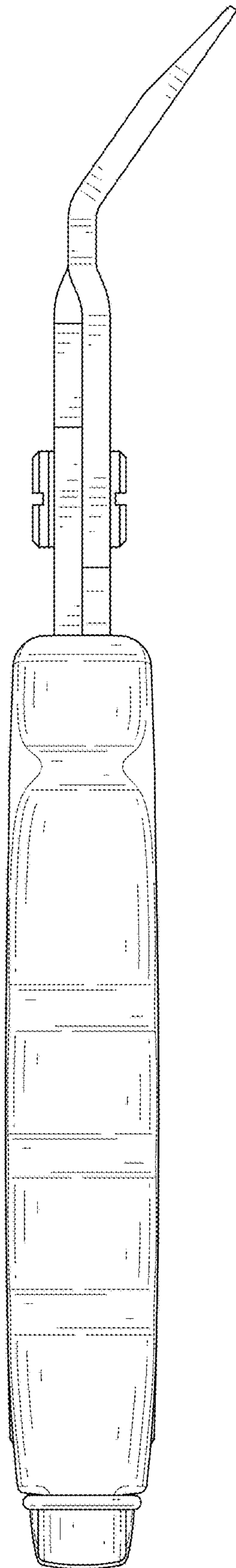
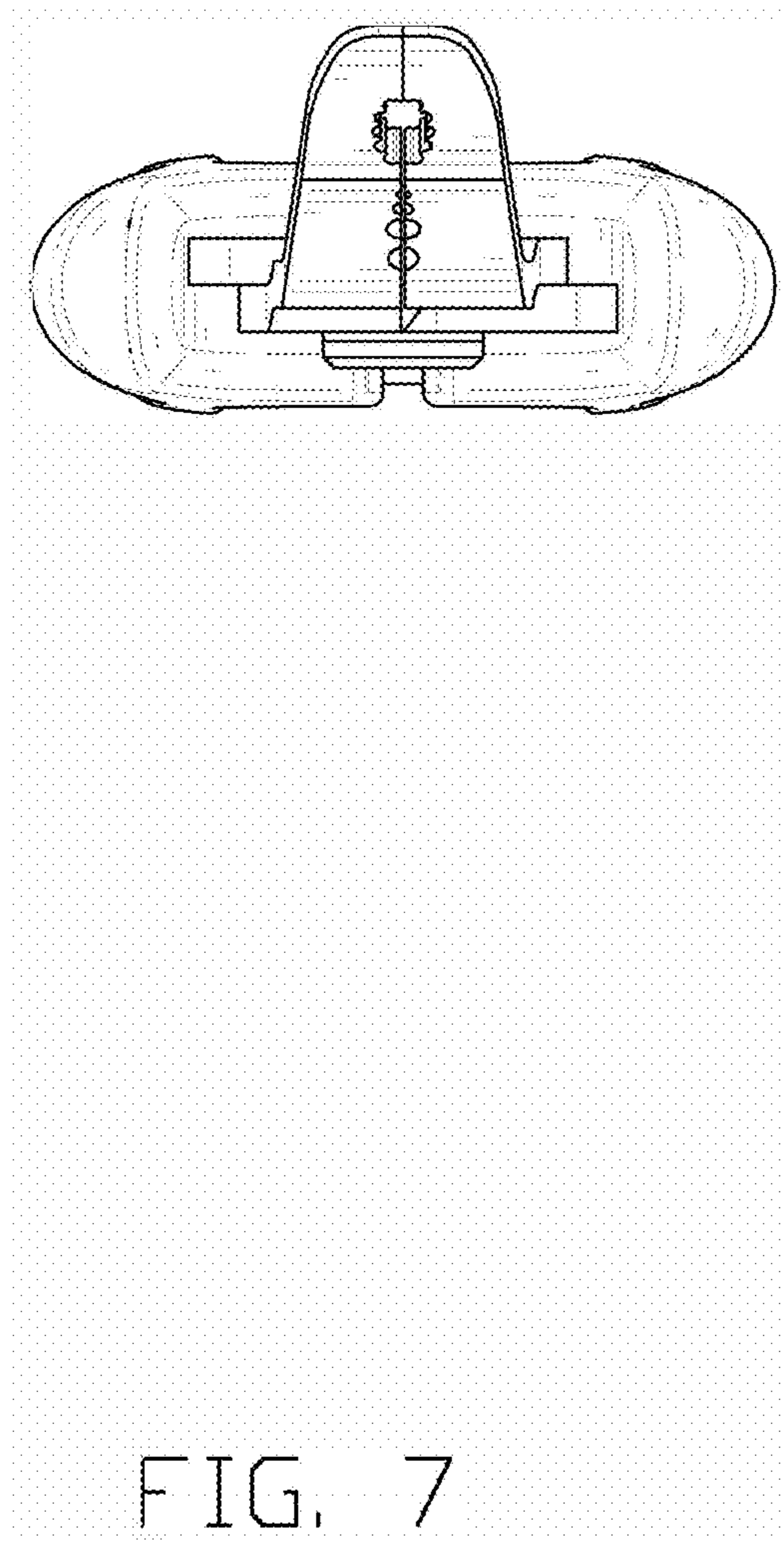


FIG. 6



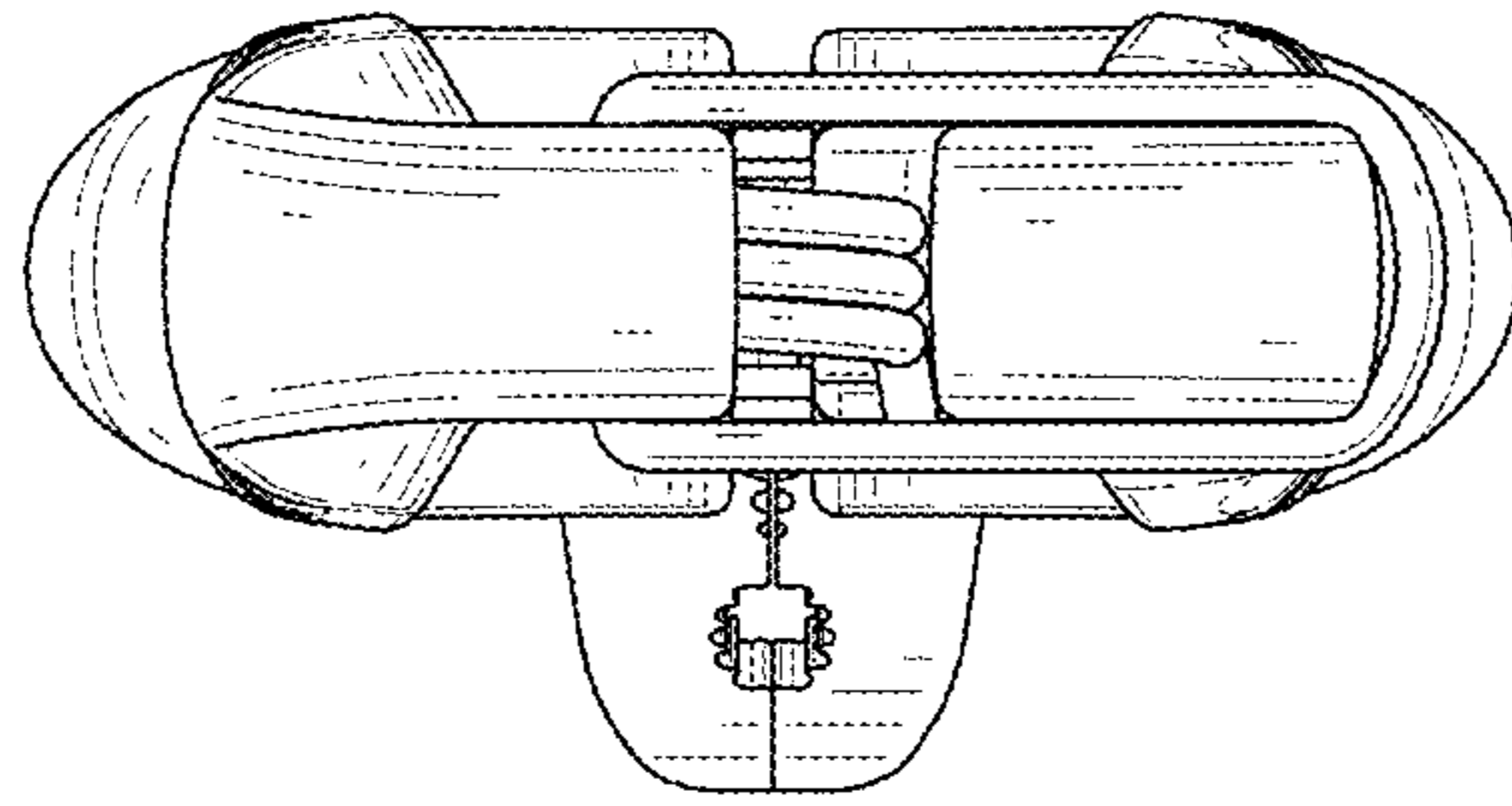


FIG. 8

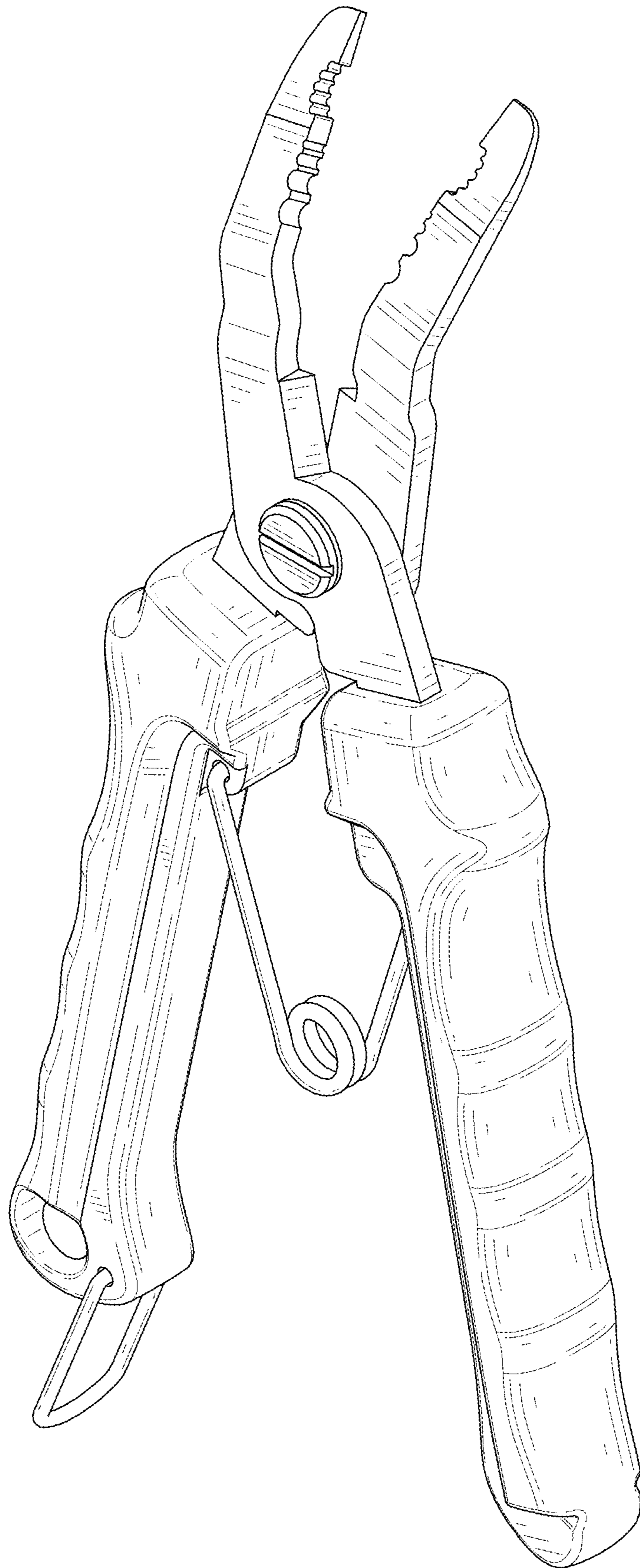


FIG. 9